



US00D865009S

(12) **United States Design Patent** (10) **Patent No.:** **US D865,009 S**  
**Kobayashi** (45) **Date of Patent:** **\*\* Oct. 29, 2019**

(54) **THREE-DIMENSIONAL PRINTER**  
(71) Applicant: **Nikon Corporation**, Tokyo (JP)  
(72) Inventor: **Yuki Kobayashi**, Tokyo (JP)  
(73) Assignee: **Nikon Corporation**, Tokyo (JP)  
(\*\*) Term: **15 Years**  
(21) Appl. No.: **29/650,385**  
(22) Filed: **Jun. 6, 2018**

*Primary Examiner* — Patricia A Palasik  
(74) *Attorney, Agent, or Firm* — Wolf, Greenfield & Sacks, P.C.

(30) **Foreign Application Priority Data**

Dec. 11, 2017 (JP) ..... 2017-027647  
(51) **LOC (12) Cl.** ..... **15-09**  
(52) **U.S. Cl.**  
USPC ..... **D15/122**  
(58) **Field of Classification Search**  
USPC ..... D18/6-7, 14, 19, 50, 54.1, 54, 55, 59;  
D15/122, 135, 138  
CPC ..... B29C 41/12; B29C 41/36; B29C 67/0081;  
B41J 2/155; B41J 2/17513; B41J  
2/17556; B41J 2/17596; B41J 2/16552;  
B41J 2/16541; B41J 2002/20; B41J  
2002/14475; B22F 3/008; B29K  
2995/0021  
See application file for complete search history.

(57) **CLAIM**

The ornamental design for a three-dimensional printer, as shown and described.

**DESCRIPTION**

FIG. 1 is a perspective view of a three-dimensional printer showing my new design;  
FIG. 2 is a front view thereof;  
FIG. 3 is a top plan view thereof;  
FIG. 4 is a right side view thereof;  
FIG. 5 is a left side view thereof;  
FIG. 6 is an enlarged view of the portion indicated by line 6-6 in FIG. 1;  
FIG. 7 is an enlarged view of the portion indicated by line 7-7 in FIG. 1;  
FIG. 8 is a perspective view thereof showing the state in which the drawer and the bottom doors are open;  
FIG. 9 is a top plan view thereof showing the state in which the drawer and the bottom doors are open;  
FIG. 10 is an enlarged view of the portion indicated by line 10-10 in FIG. 8;  
FIG. 11 is an enlarged view of the portion indicated by line 11-11 in FIG. 8;  
FIG. 12 is an enlarged view of the portion indicated by line 12-12 in FIG. 8;  
FIG. 13 is an enlarged view of the portion indicated by line 13-13 in FIG. 8; and,  
FIG. 14 is a partially enlarged cross-sectional view taken along line 14-14 in FIG. 2.  
The broken lines illustrate portions of the three-dimensional printer and form no part of the claimed design. The dash-dotted lines denote the boundary of the claim and form no part of the claimed design.

(56) **References Cited**

**U.S. PATENT DOCUMENTS**

D446,826 S \* 8/2001 Dunn ..... D21/398  
D526,640 S \* 8/2006 Chin ..... D14/188  
D558,266 S \* 12/2007 Falk ..... D18/55  
D558,822 S \* 1/2008 Smith ..... D18/55  
D602,019 S \* 10/2009 Wang ..... D14/356

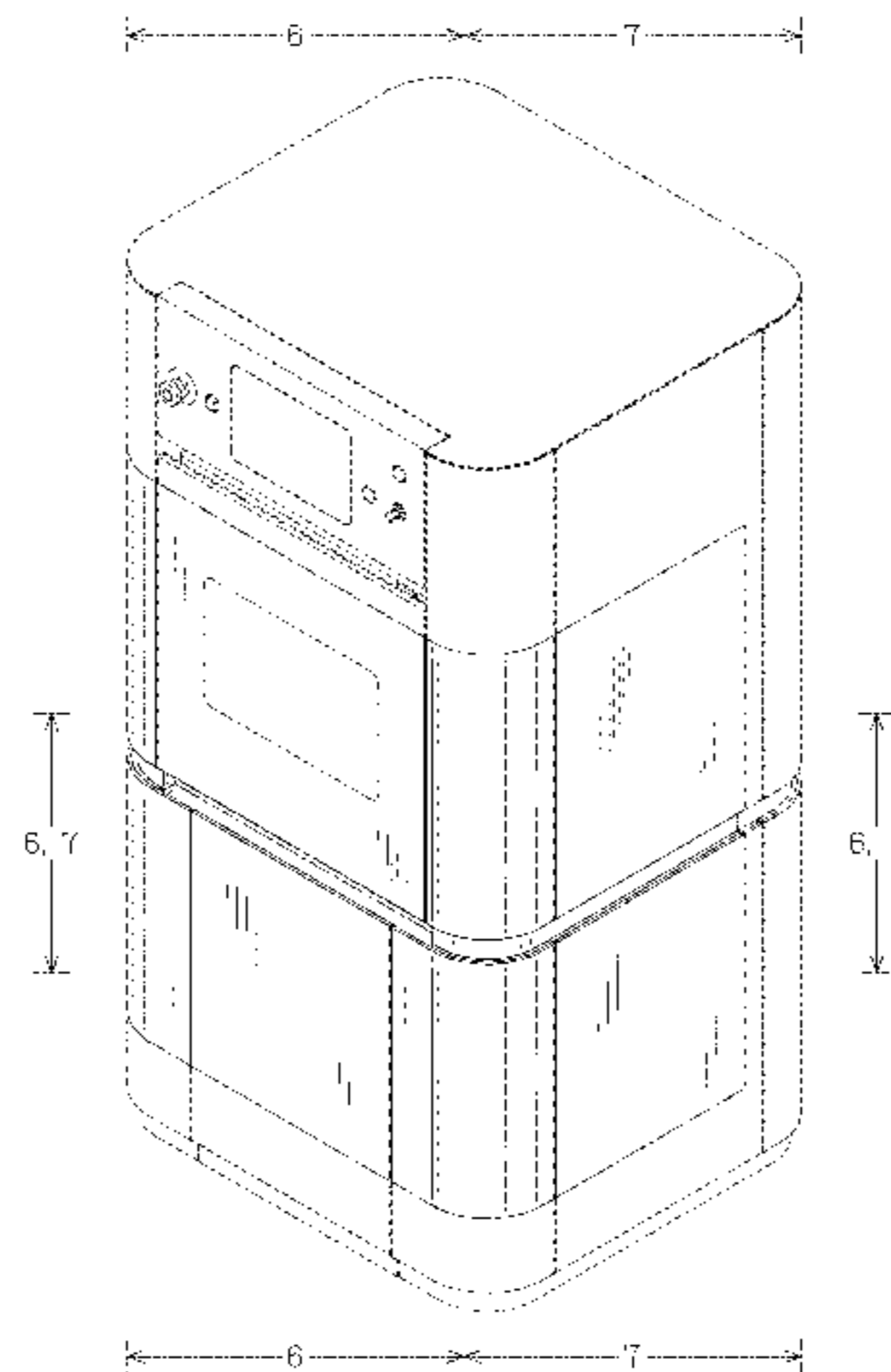
(Continued)

**FOREIGN PATENT DOCUMENTS**

CN 301769265 S 12/2011  
CN 303959807 S 12/2016

(Continued)

**1 Claim, 14 Drawing Sheets**



(56)

References Cited

U.S. PATENT DOCUMENTS

D629,827 S \* 12/2010 Morenstein ..... D16/221  
 D657,108 S \* 4/2012 Yang ..... D34/7  
 D686,275 S \* 7/2013 Nakazawa ..... D18/50  
 D690,280 S \* 9/2013 Schul ..... D14/168  
 D695,339 S \* 12/2013 Fukasawa ..... D18/53  
 D702,760 S \* 4/2014 Kim ..... D18/55  
 D711,463 S \* 8/2014 Costabeber ..... D14/300  
 D722,109 S \* 2/2015 Nanno ..... D18/50  
 8,945,456 B2 \* 2/2015 Zenere ..... B29C 64/135  
 264/401  
 D732,587 S \* 6/2015 Hsu ..... D15/122  
 D737,895 S \* 9/2015 Nanno ..... D18/50  
 D742,945 S \* 11/2015 Lee ..... D15/122  
 D744,031 S \* 11/2015 Tanaka ..... D18/50  
 D749,169 S \* 2/2016 Kil ..... D18/55  
 D749,171 S \* 2/2016 Nakagawa ..... D18/55  
 D749,172 S \* 2/2016 Nakagawa ..... D18/55  
 D752,138 S \* 3/2016 Seki ..... D18/50  
 D752,139 S \* 3/2016 Seki ..... D18/50  
 D758,483 S \* 6/2016 Seki ..... D18/50  
 D758,486 S \* 6/2016 Nakagawa ..... D18/55  
 D765,772 S \* 9/2016 Clark, III ..... D18/55  
 D769,366 S \* 10/2016 Hiraguchi ..... D18/12.1  
 D770,565 S \* 11/2016 Tanaka ..... D18/50  
 D810,156 S \* 2/2018 Lin ..... D15/135

FOREIGN PATENT DOCUMENTS

CN 304088810 S 3/2017  
 EM 002858696-0005 S 11/2015  
 JP D1549416 S 5/2016  
 JP D1572413 S 3/2017  
 JP D1574734 S 4/2017

\* cited by examiner

FIG. 1

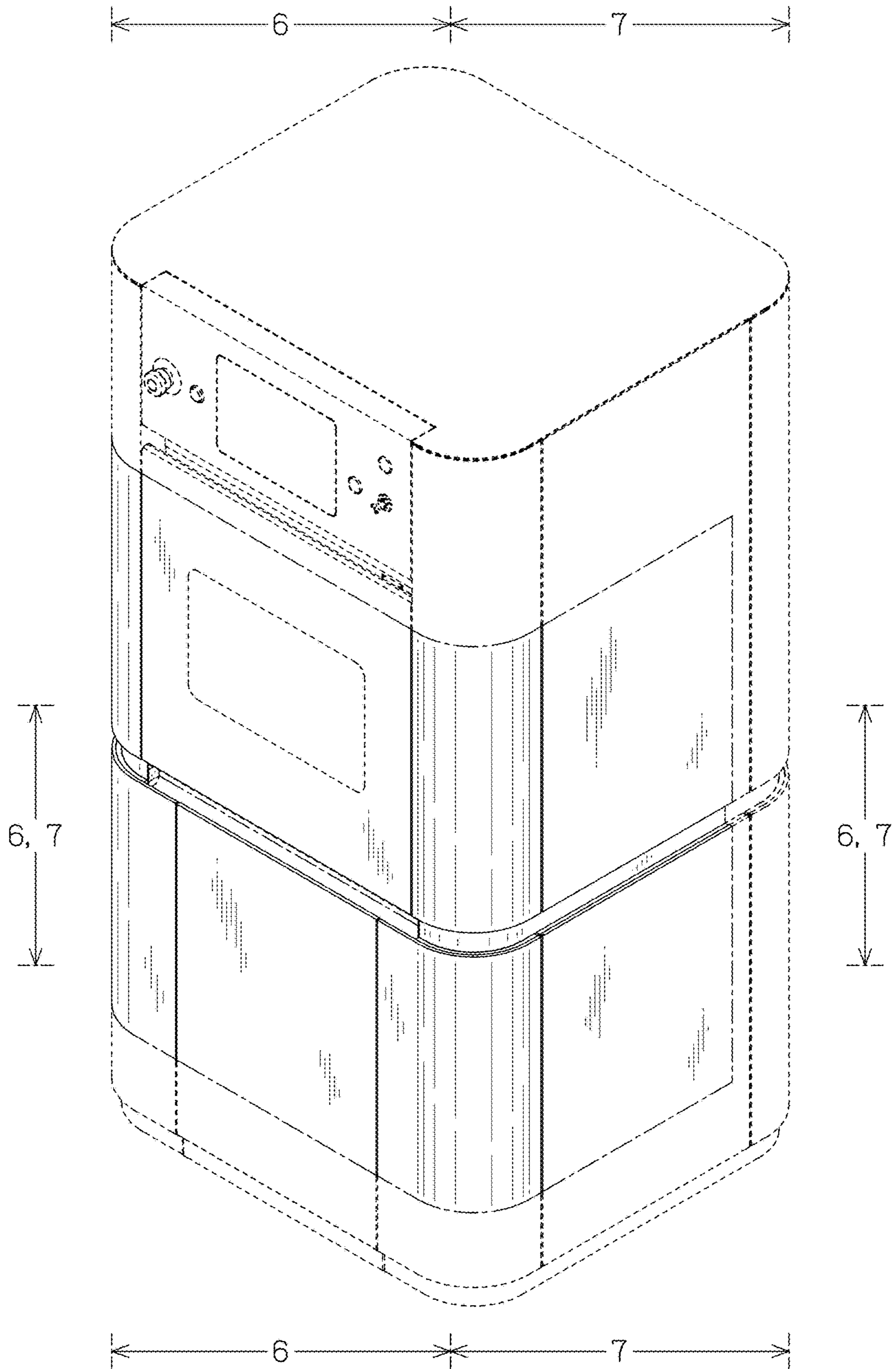


FIG.2

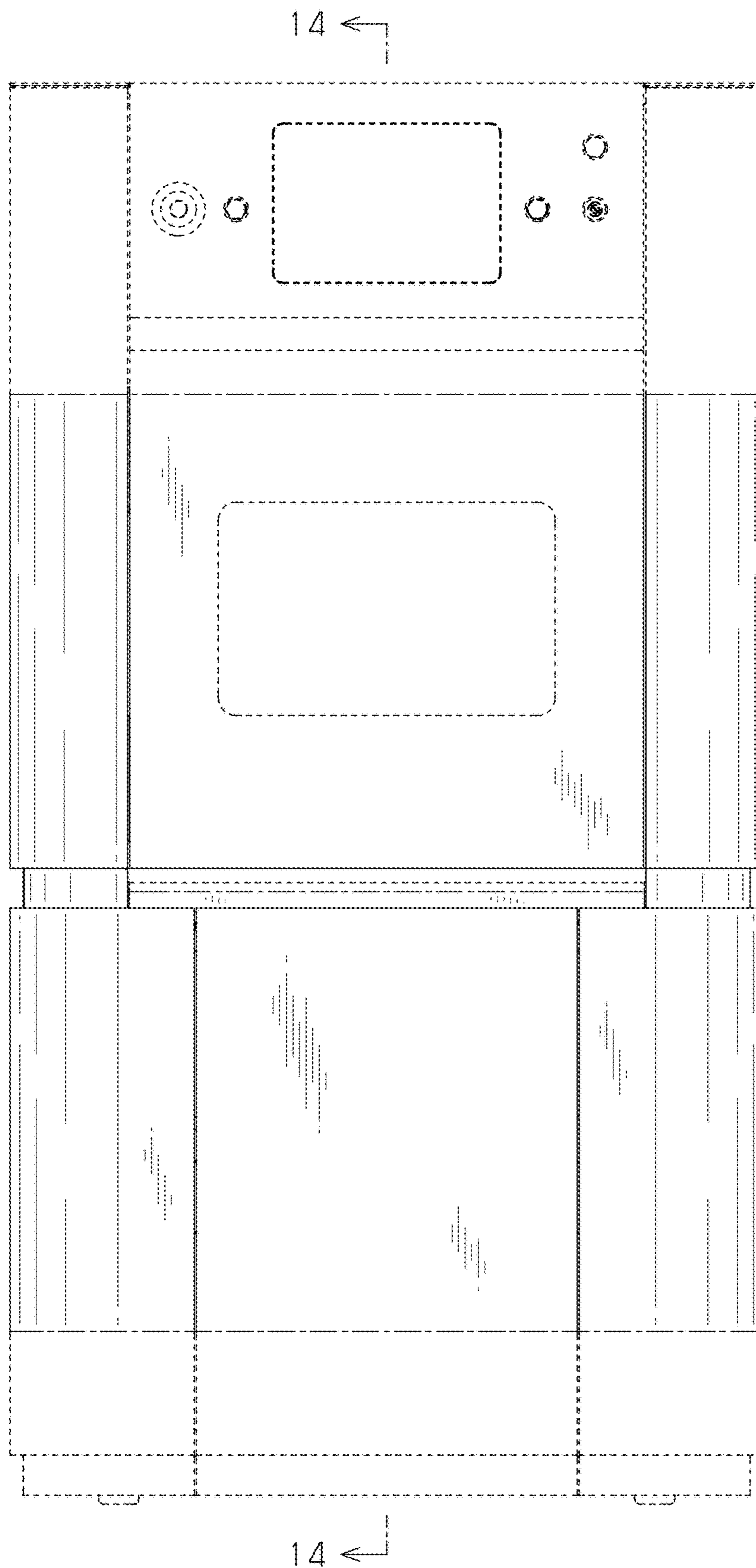


FIG.3

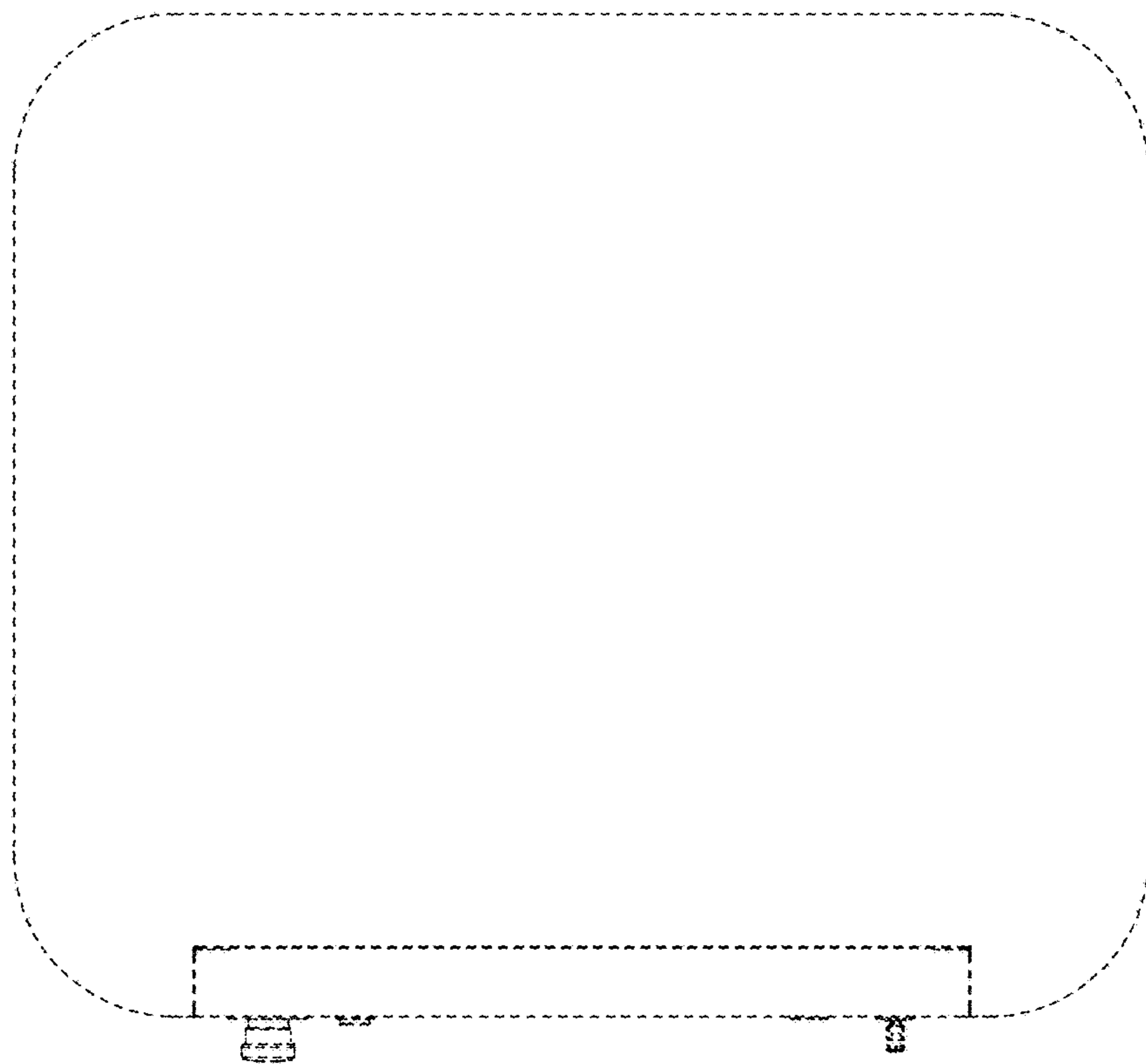




FIG.4

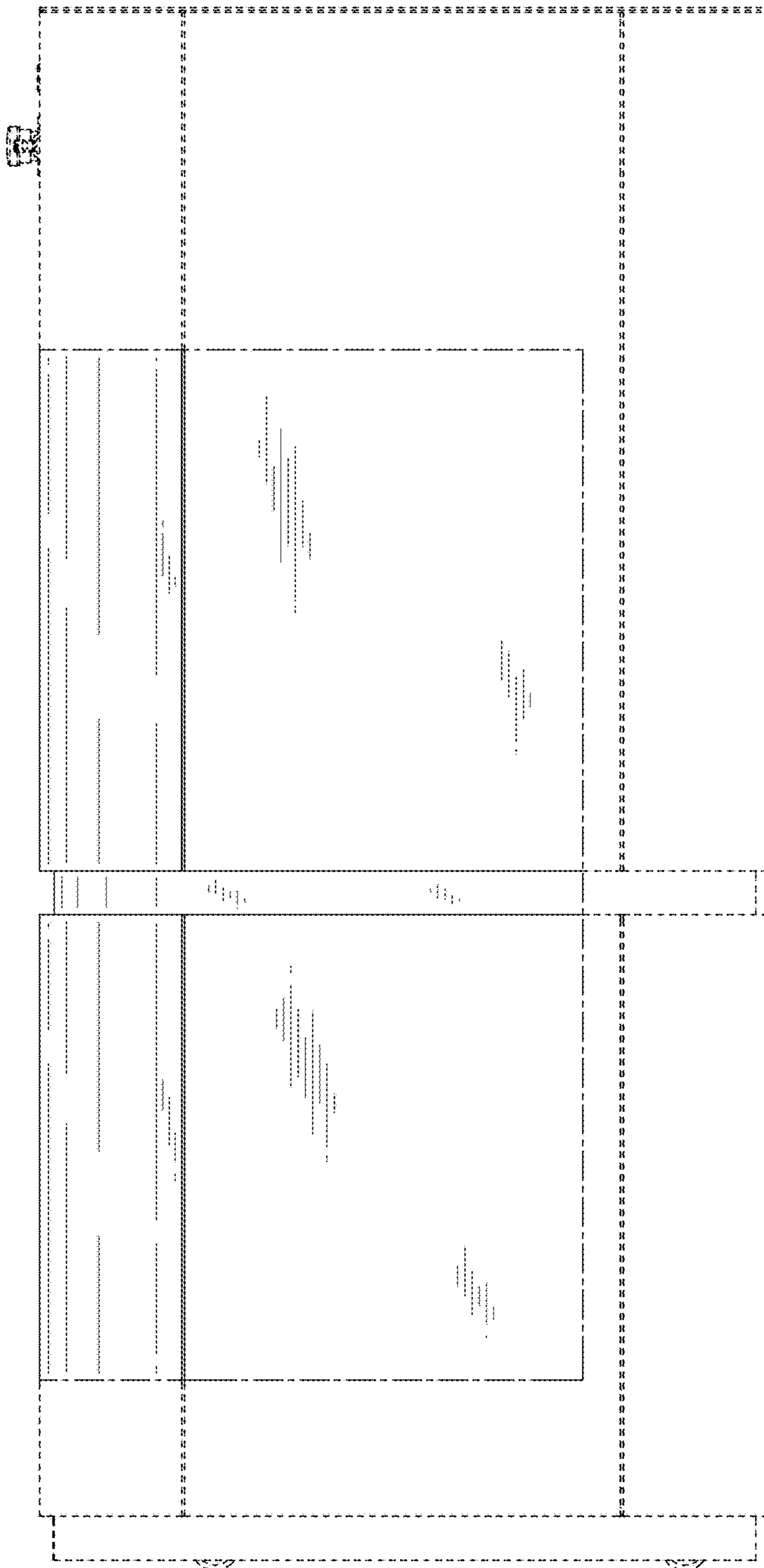
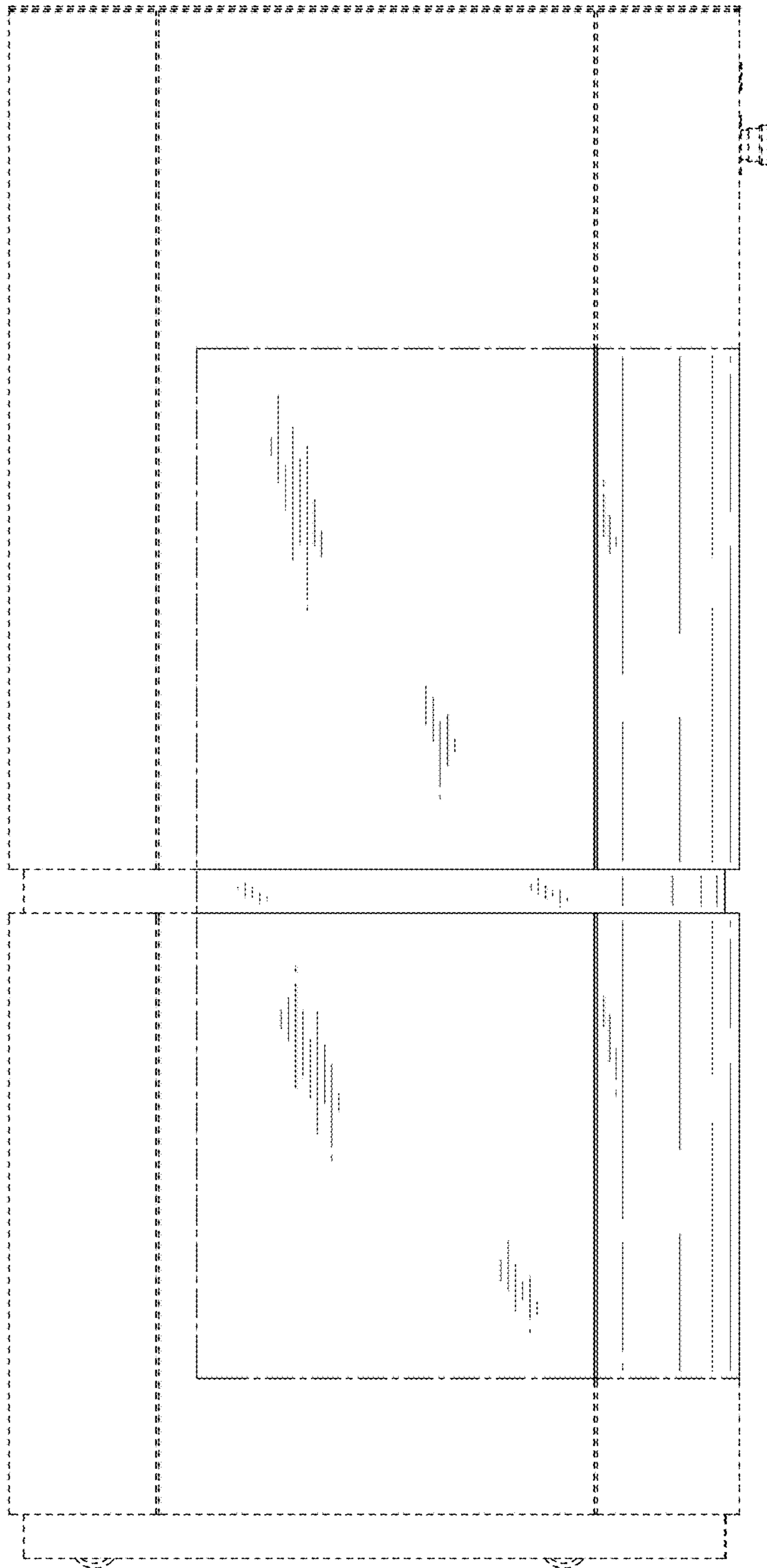


FIG.5



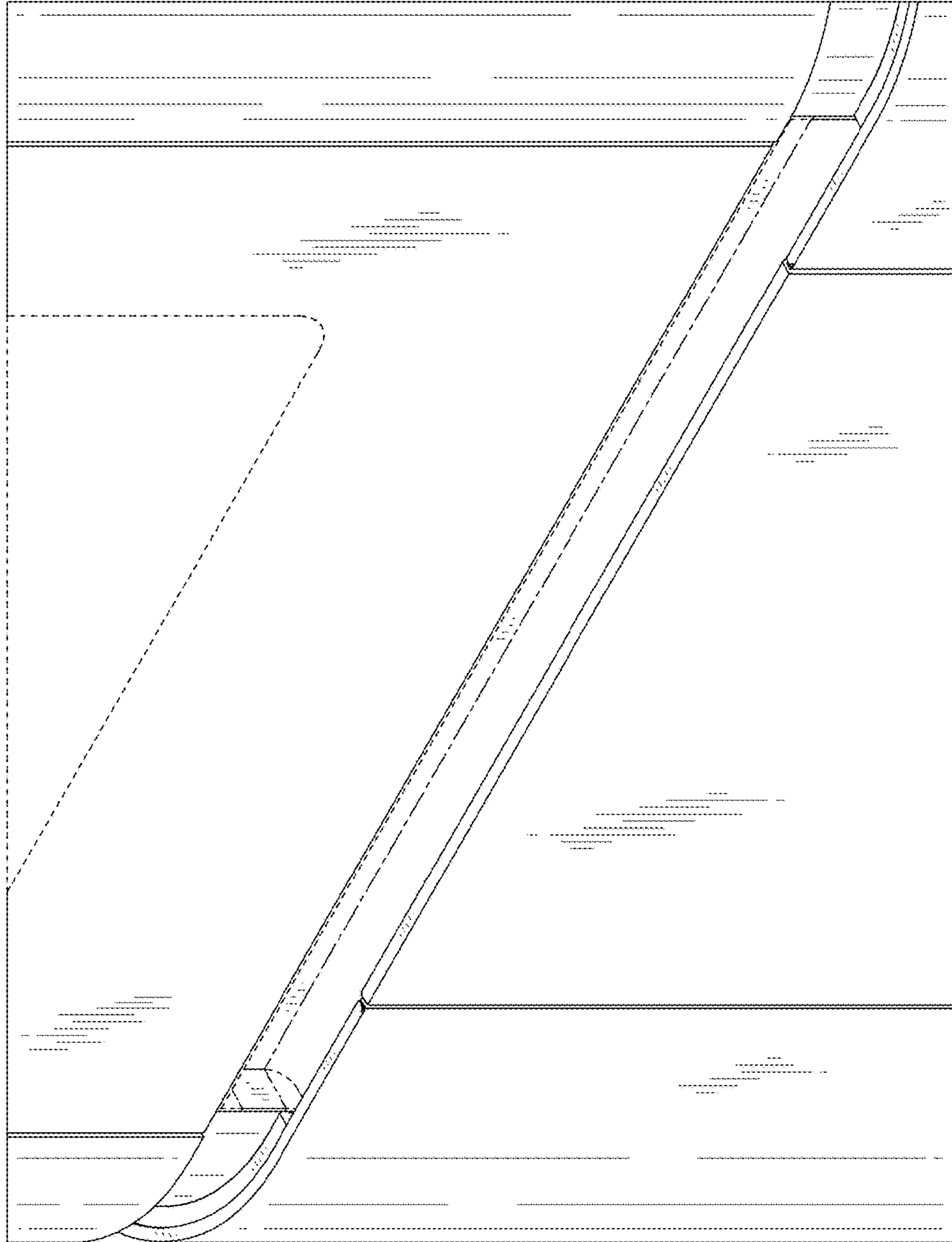


FIG.6



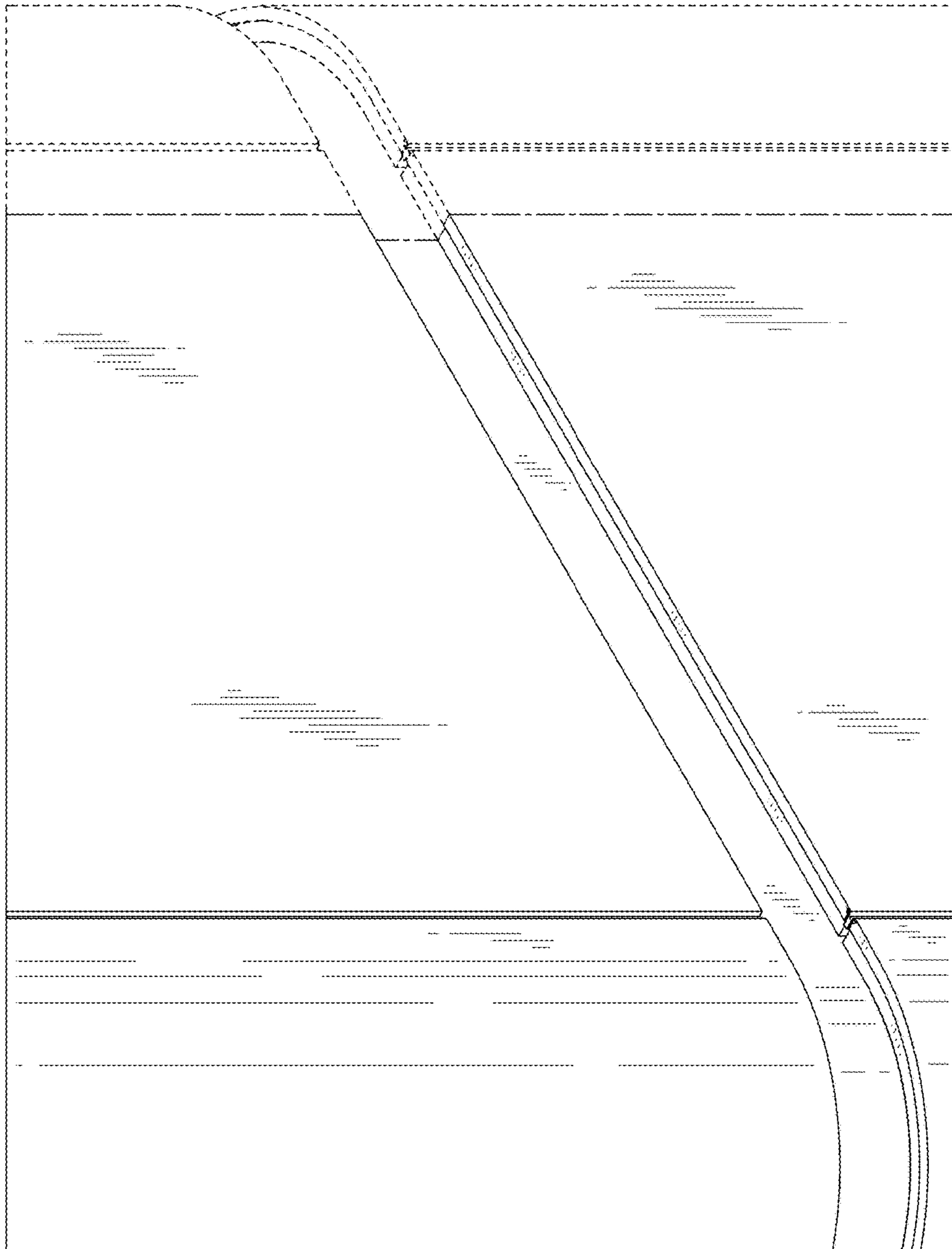


FIG.7

FIG.8

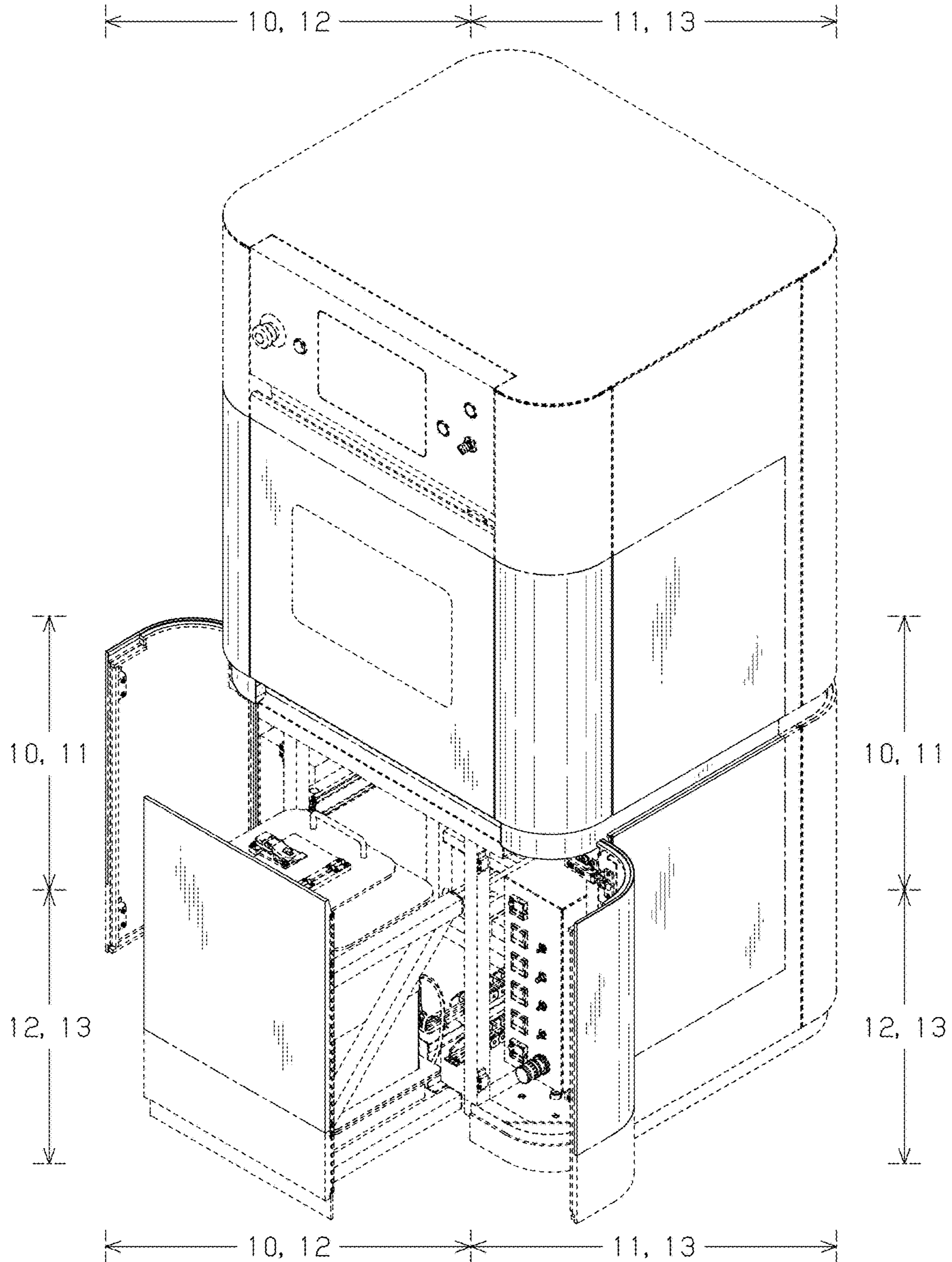
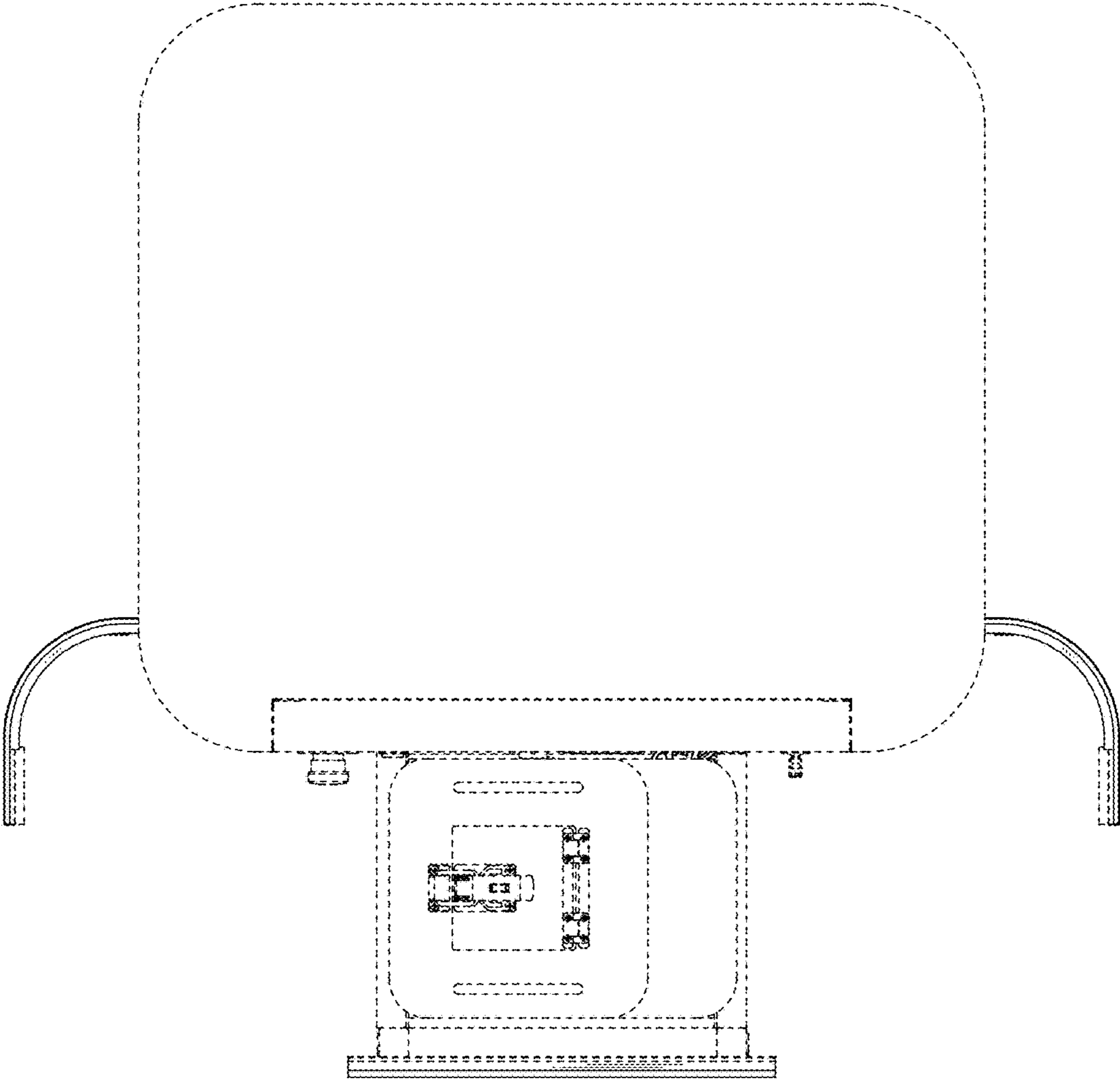


FIG.9



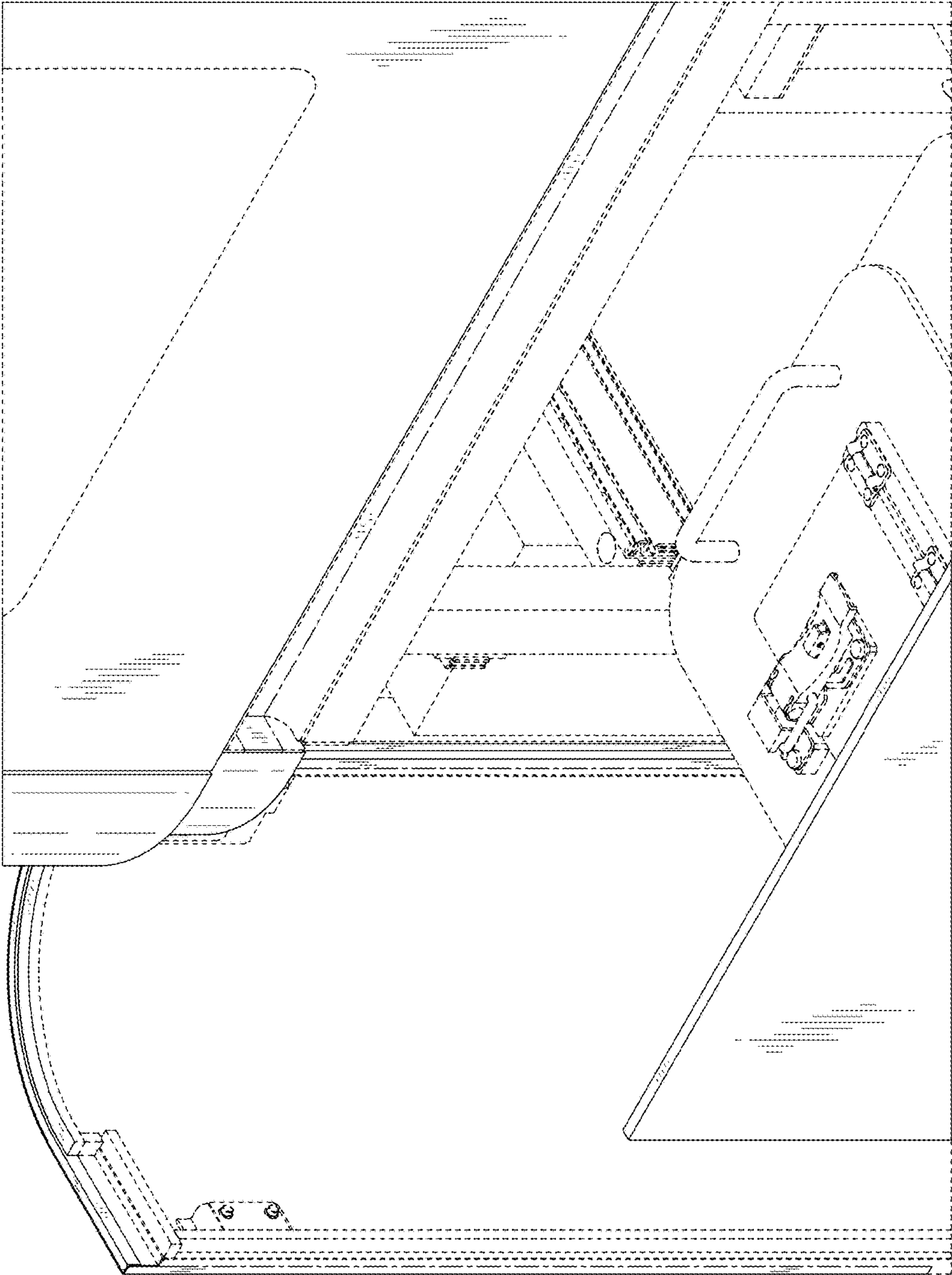
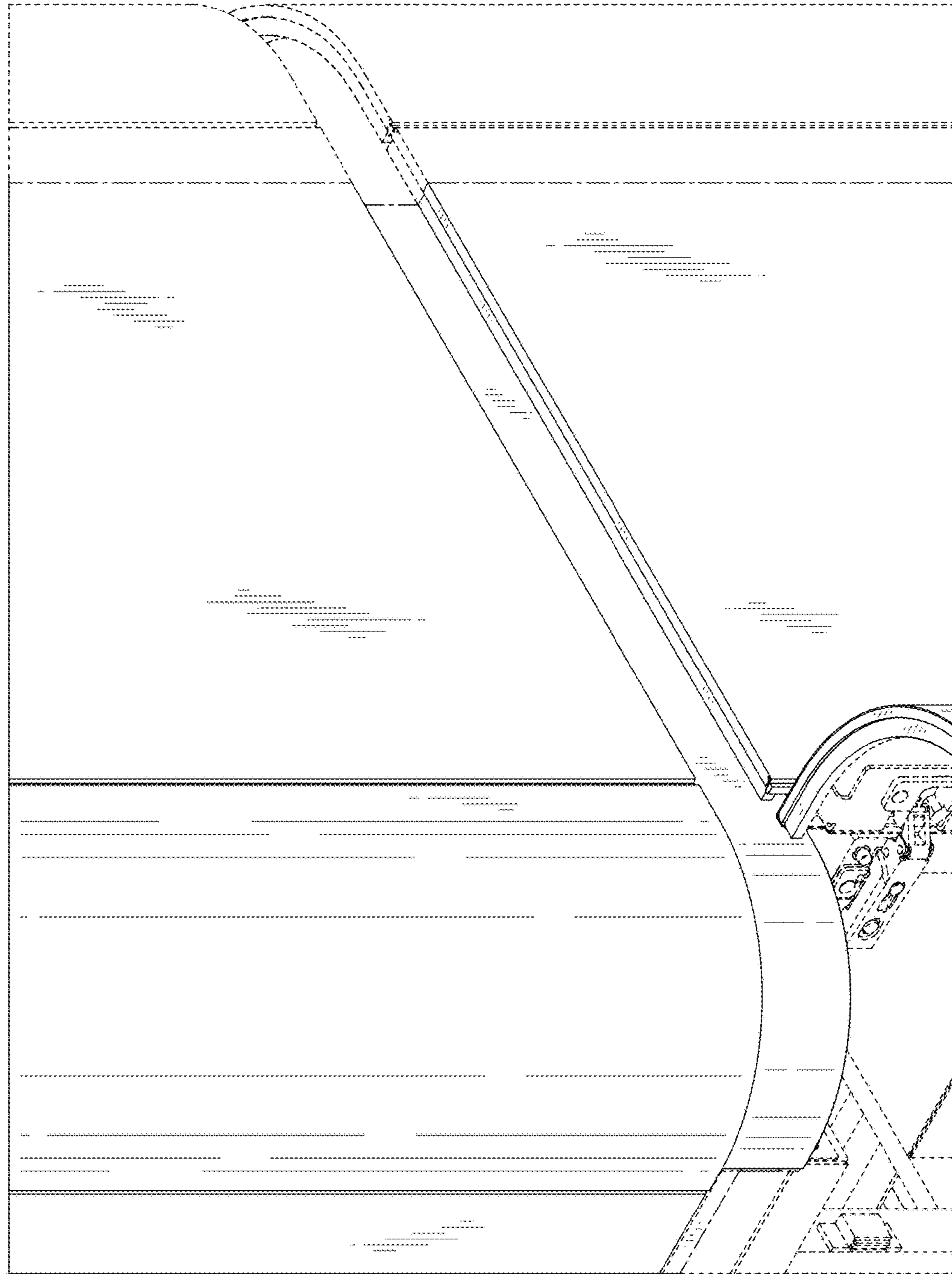


FIG.10

FIG.11





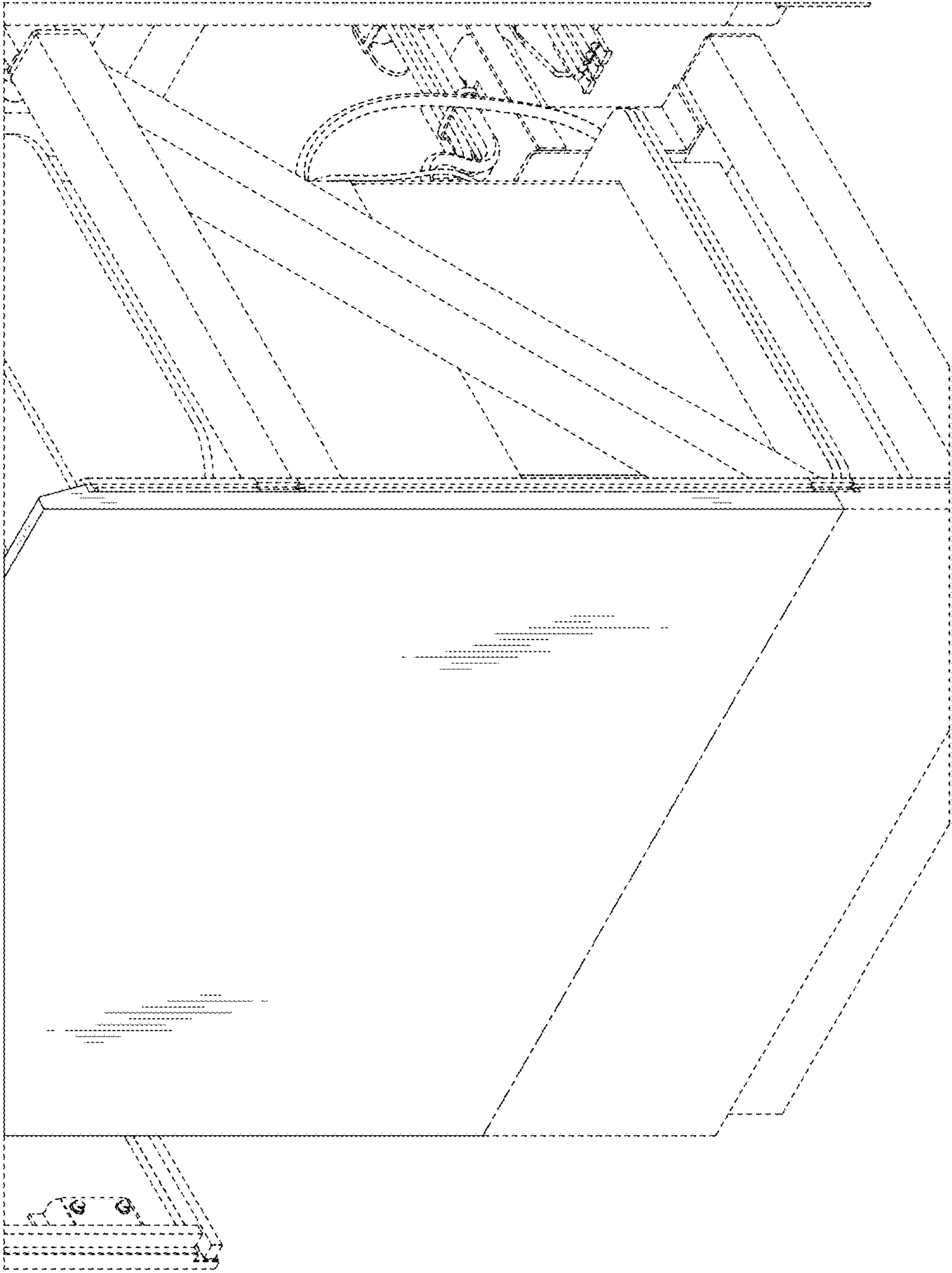


FIG.12

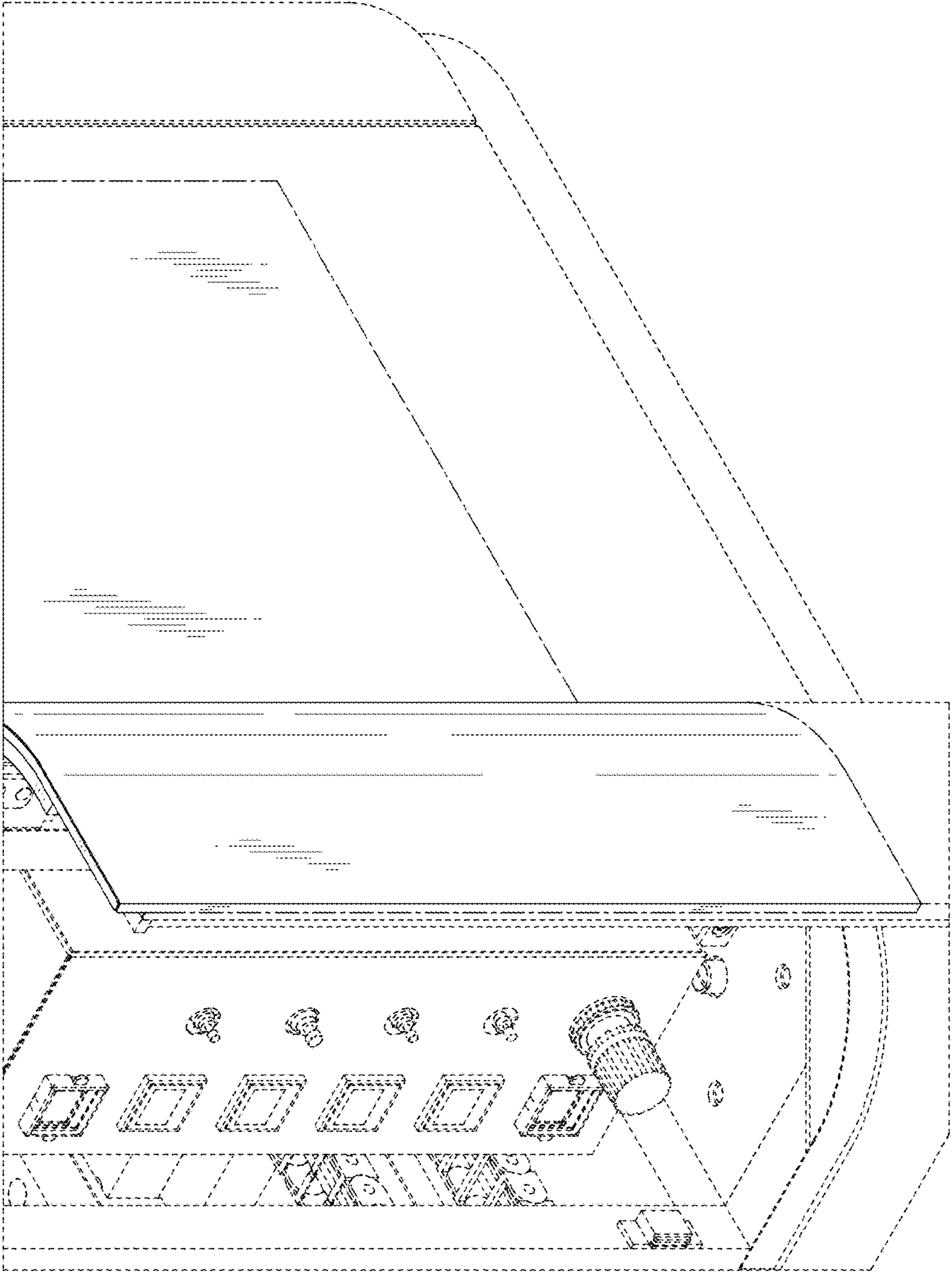


FIG.13

FIG.14

