



US00D865007S

(12) **United States Design Patent** (10) **Patent No.:** **US D865,007 S**
Meda et al. (45) **Date of Patent:** **** Oct. 29, 2019**

(54) **REFRIGERATOR**
(71) Applicant: **Dometic Sweden AB**, Solna (SE)
(72) Inventors: **Samuele Meda**, Solna (SE); **Kristoffer Olsson**, Stockholm (SE); **Rickard Hederstierna**, Hägersten (SE)

D468,326 S 1/2003 Lorek et al.
D468,327 S 1/2003 Lorek et al.
D476,667 S 7/2003 Lorek et al.
D844,033 S * 3/2019 Lim D15/79
D846,600 S * 4/2019 Guo D15/81
D847,214 S * 4/2019 Guo D15/81
D849,803 S * 5/2019 Meda D15/79

(73) Assignee: **Dometic Sweden AB**, Solna (SE)
(**) Term: **15 Years**

FOREIGN PATENT DOCUMENTS

AU 201810730 2/2018
AU 201810733 2/2018

(21) Appl. No.: **29/637,464**

OTHER PUBLICATIONS

(22) Filed: **Feb. 19, 2018**

European Design Application No. 004158483-0001 filed on Aug. 22, 2017.

(30) **Foreign Application Priority Data**

(Continued)

Aug. 22, 2017 (EM) 004158483

(51) **LOC (12) Cl.** **15-07**

Primary Examiner — Khawaja Anwar

(52) **U.S. Cl.**

(74) *Attorney, Agent, or Firm* — Middleton Reutlinger

USPC **D15/79**

(58) **Field of Classification Search**

USPC D15/79-91

CPC F02M 37/18; F02M 3/045; F02M 43/00;

F02M 51/04; F02M 51/0614; F02M

53/043; F02M 55/004; F02M 55/008;

F02M 57/021; F02M 57/027; F02M

59/025; F02M 59/10; F02M 5/00; F02M

5/12; F02M 5/14; F02M 61/02; F02M

61/045; F02M 61/14; F02M 61/145;

F02M 61/18; F02M 61/184; F02M

61/1853; F02M 61/20; F02M 65/003;

F02M 69/00; F02M 69/041; F02M

69/043; F02M 69/32; F02M 69/50; F02M

7/10; F02M 7/12; F02M 7/133; F02M

7/17; F02M 9/12; F02M 9/127; F02M

9/14

See application file for complete search history.

(56) **References Cited**

U.S. PATENT DOCUMENTS

D342,744 S 12/1993 Renner
D468,325 S 1/2003 Lorek et al.

(57) **CLAIM**

The ornamental design for a refrigerator, as shown and described.

DESCRIPTION

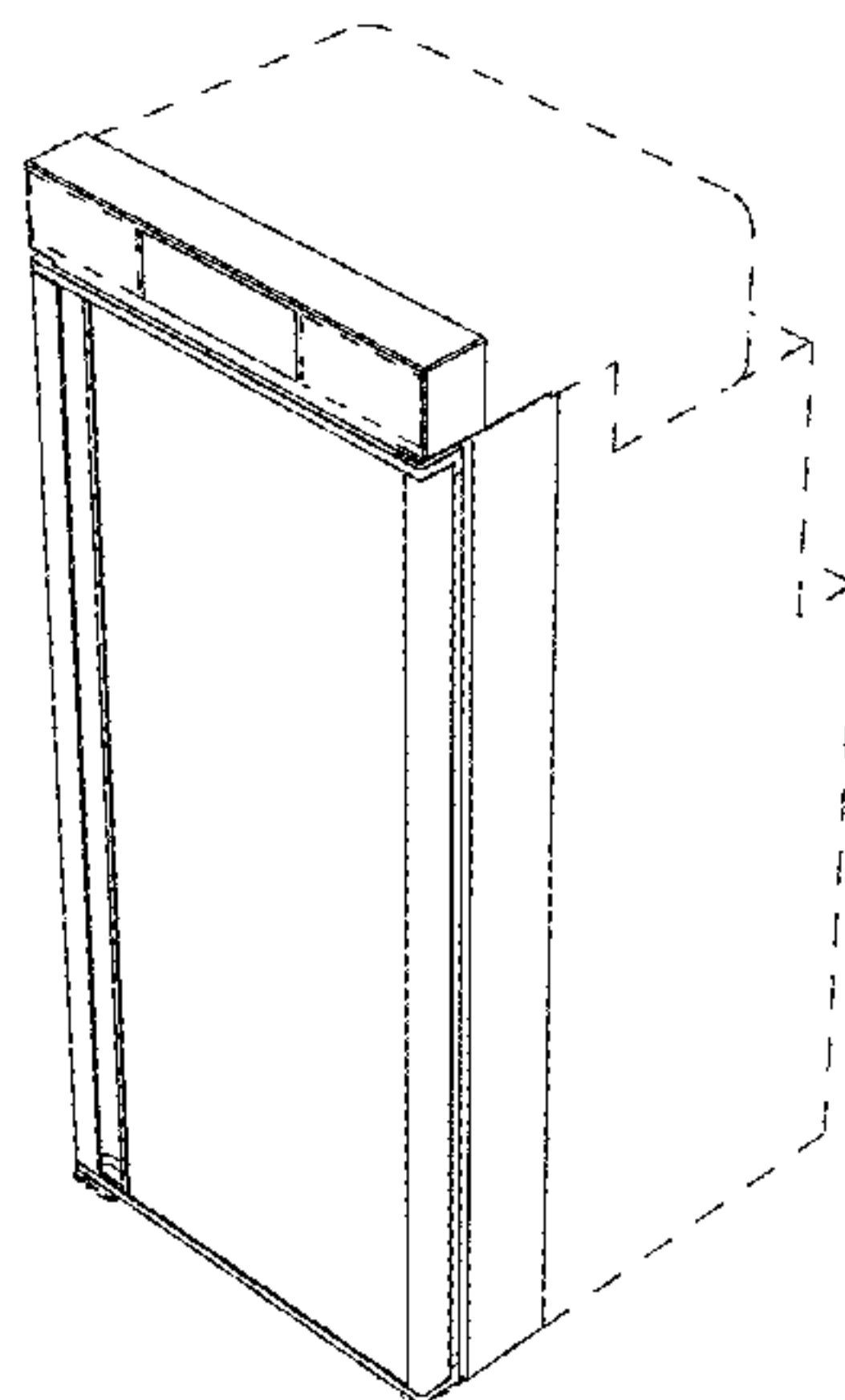
FIG. 1 is a first perspective view of a refrigerator design; FIG. 2 is a second perspective view of the refrigerator design of FIG. 1;

FIG. 3 is a front view of the refrigerator design of FIG. 1; FIG. 4 is a first side view of the refrigerator design of FIG. 1;

FIG. 5 is a second side view of the refrigerator design of FIG. 1; and,

FIG. 6 is a top view of the refrigerator design of FIG. 1. The broken line disclosure represents unclaimed portions of the refrigerator in which the design is embodied.

1 Claim, 6 Drawing Sheets



(56)

References Cited

OTHER PUBLICATIONS

European Design Application No. 004158483-0002 filed on Aug. 22, 2017.

European Union Intellectual Property Office, Notification of Registration of 004158483-01/004158483-02 dated Aug. 23, 2017.

Dometic 2015 Full Line Catalog—Refrigerators, 2015.

Dometic 2016 Product Catalog—Refrigerators, 2016.

Design U.S. Appl. No. 29/594,936, filed Feb. 23, 2017.

Design U.S. Appl. No. 29/631,238, filed Dec. 28, 2017.

* cited by examiner

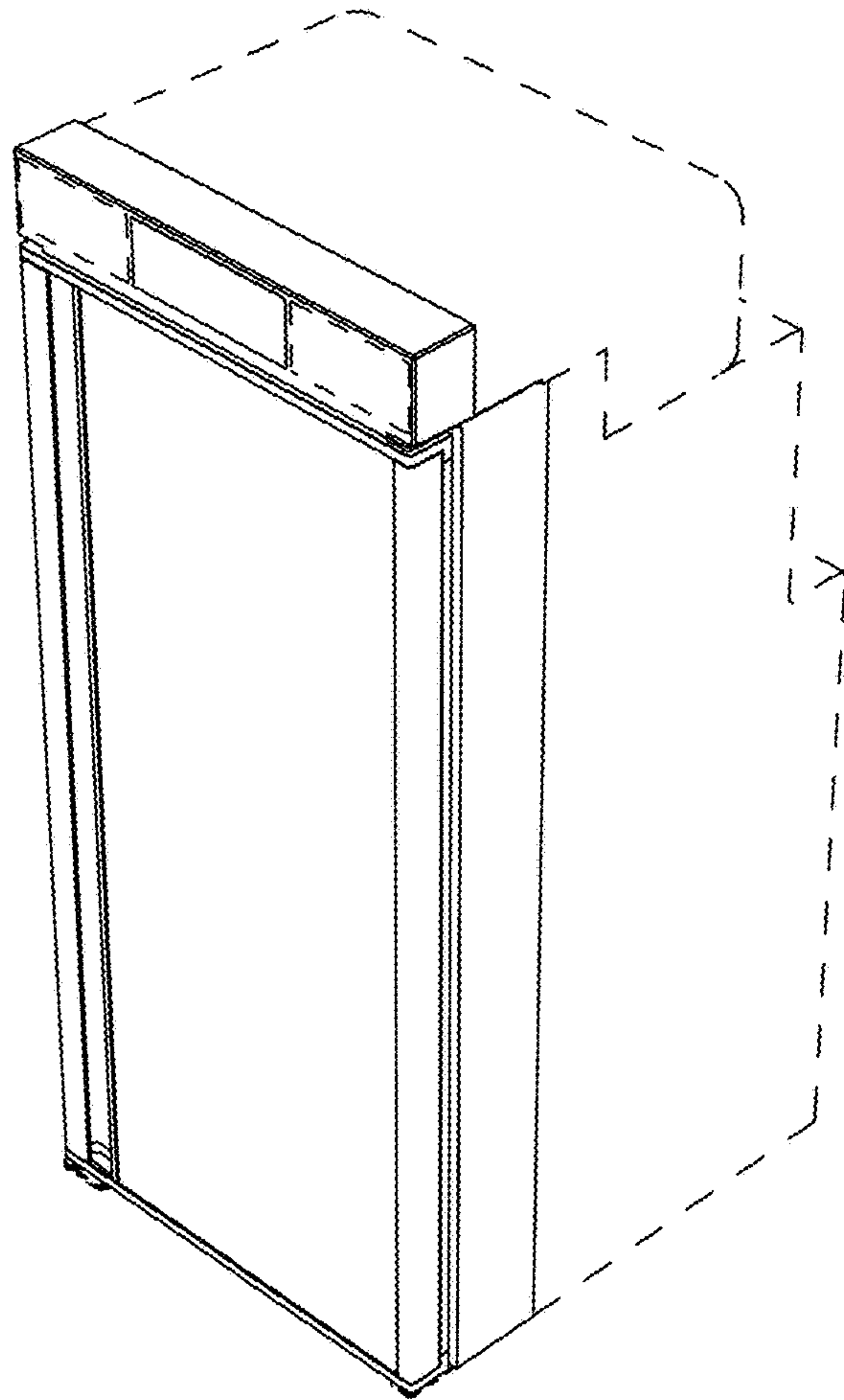


FIG. 1

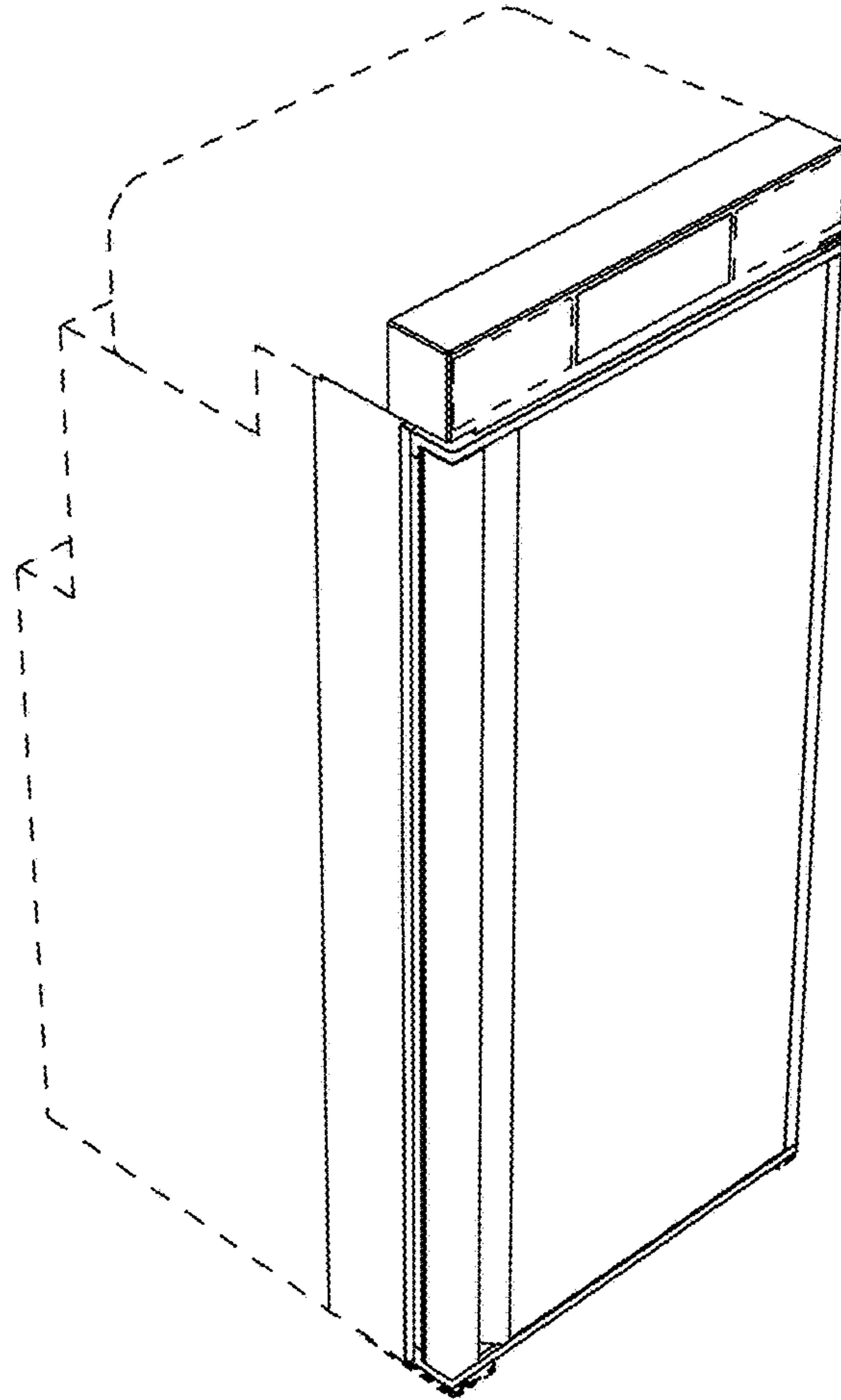


FIG. 2

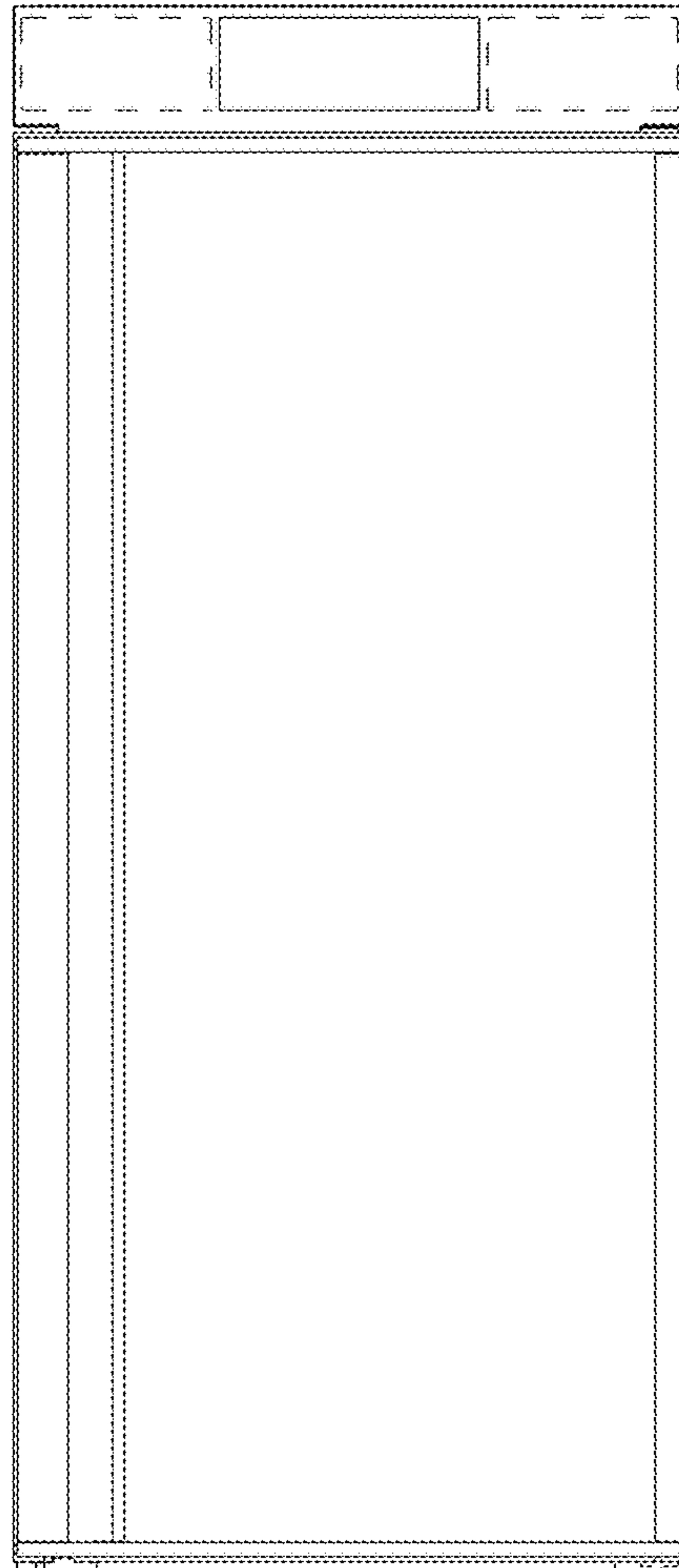


FIG. 3

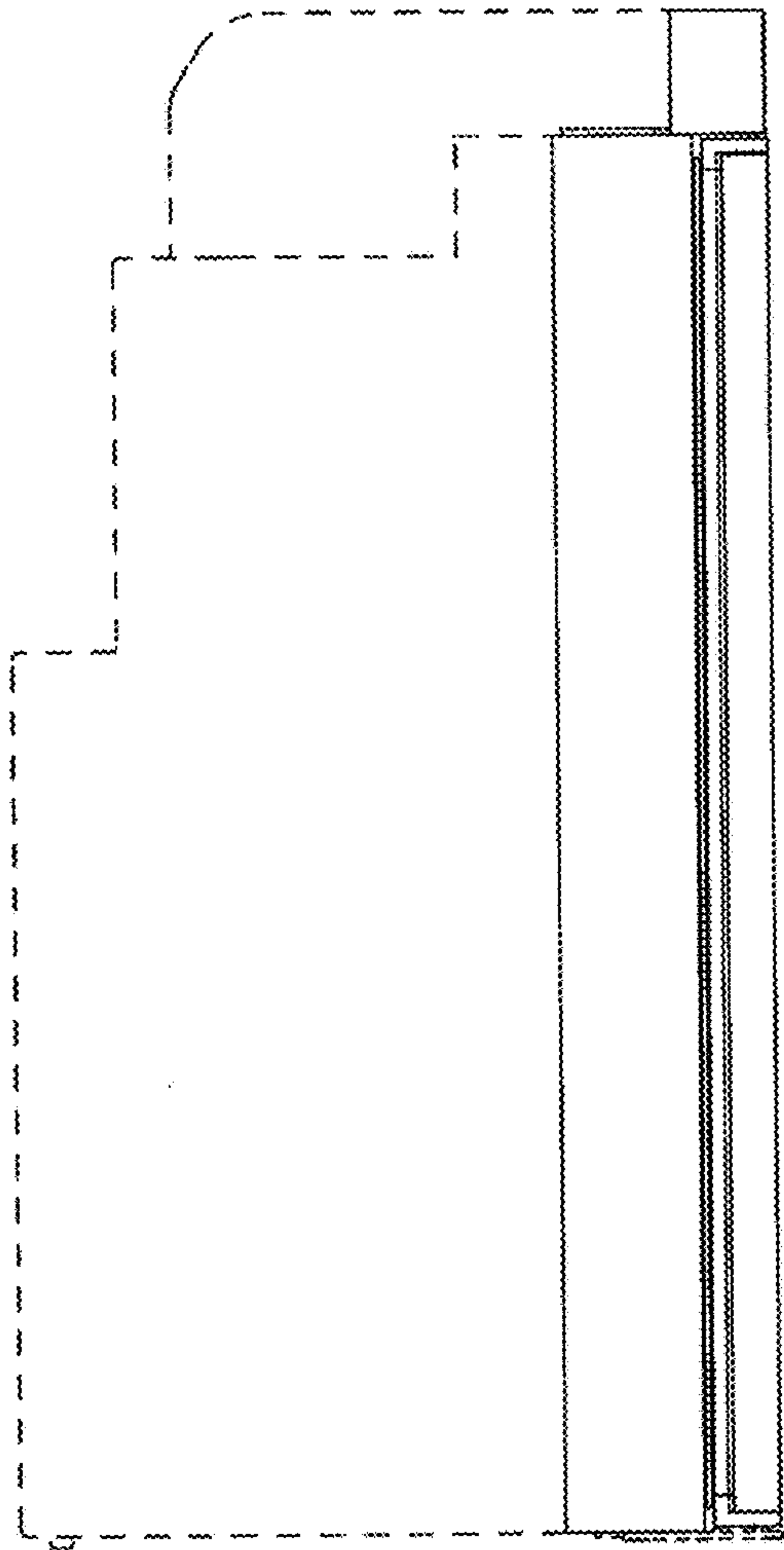


FIG. 4

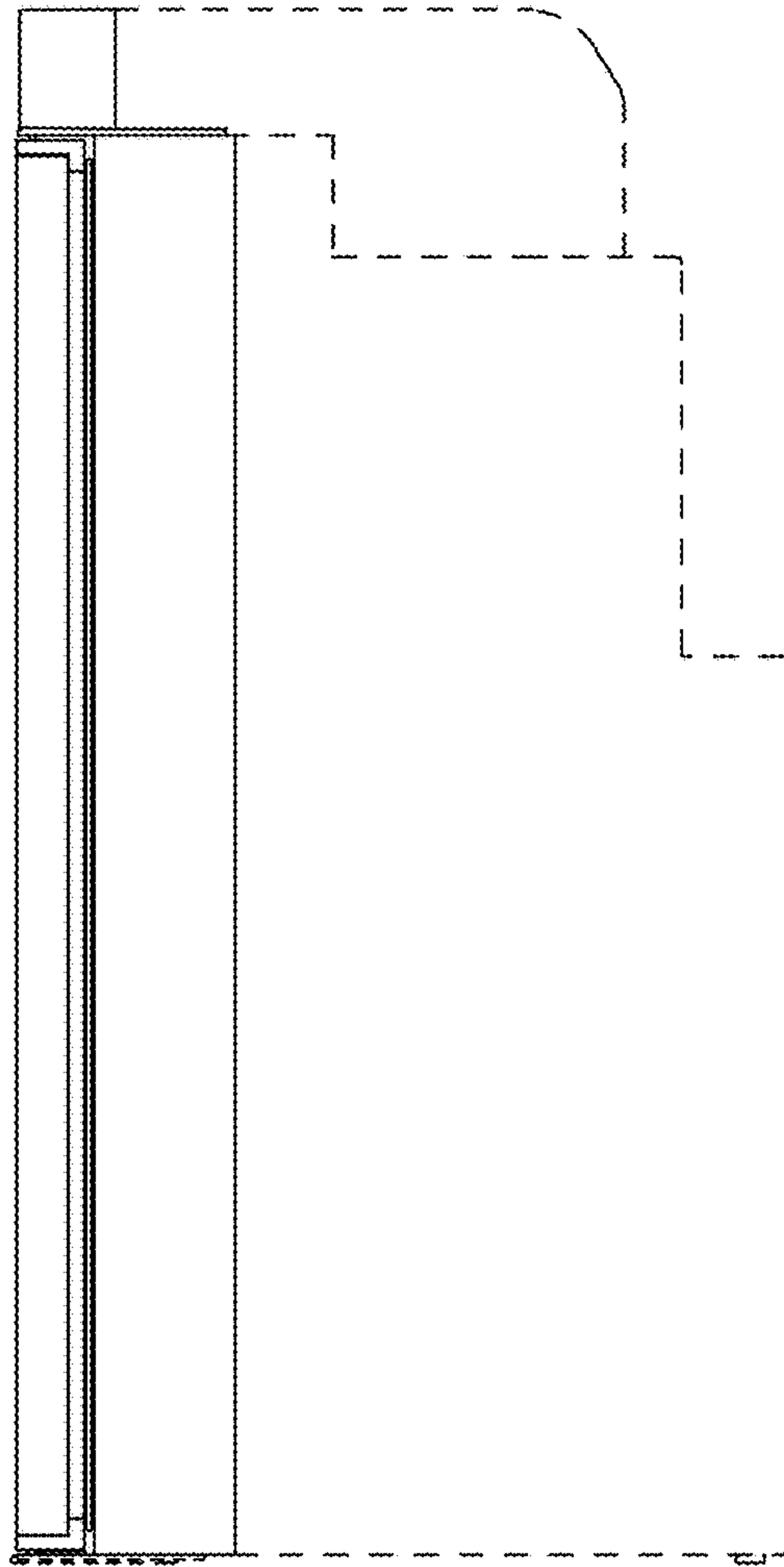


FIG. 5

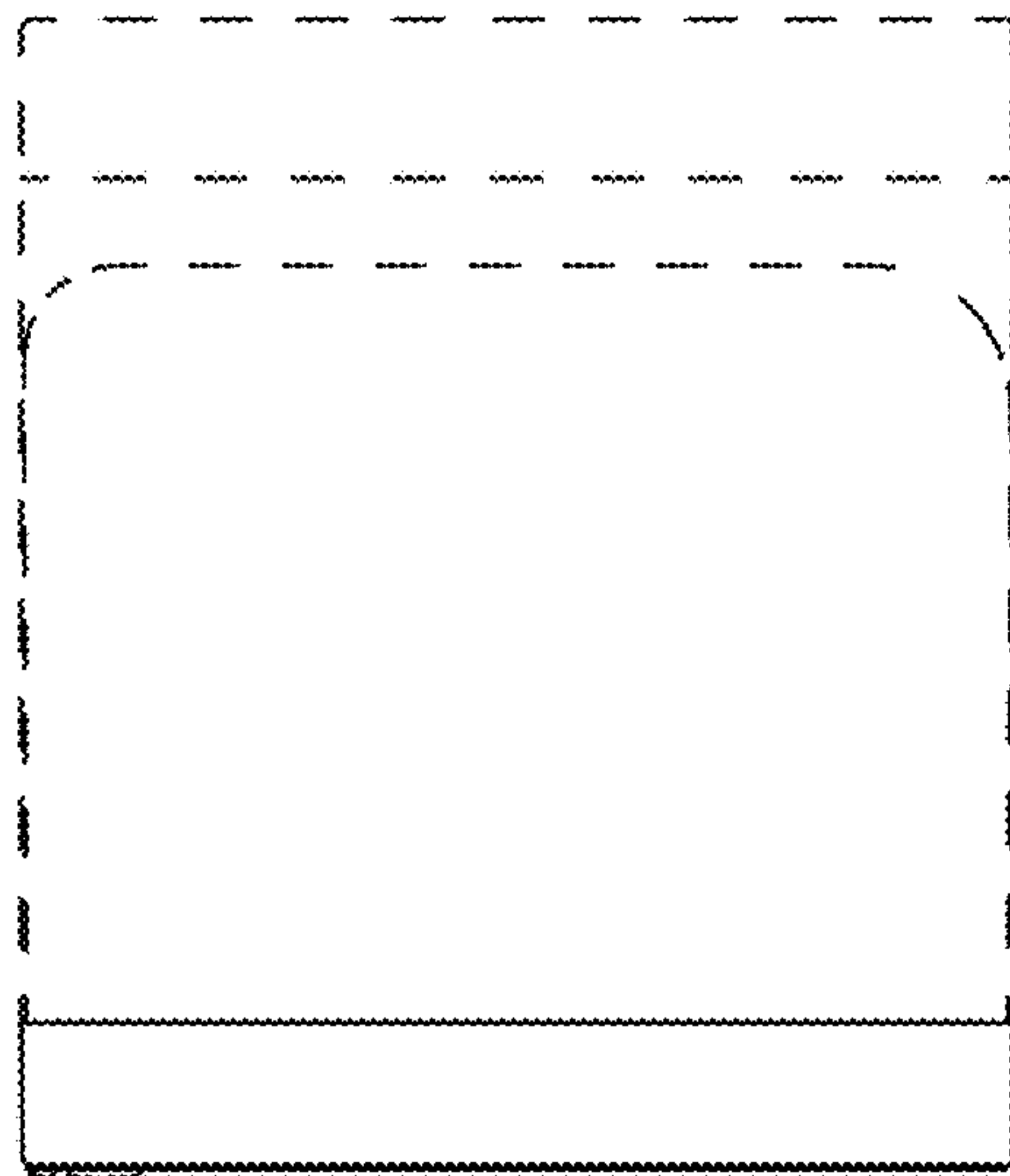


FIG. 6