



US00D865005S

(12) **United States Design Patent** (10) **Patent No.:** **US D865,005 S**  
**Hanselman et al.** (45) **Date of Patent:** **\*\* Oct. 29, 2019**

(54) **PUMP MOTOR SECTION**

D840,437 S *	2/2019	Blaser .....	D15/7
D841,696 S *	2/2019	Blaser .....	D15/7
D842,339 S *	3/2019	Bao .....	D15/7
D842,340 S *	3/2019	Kuang .....	D15/7
D842,904 S *	3/2019	Geldenhuis .....	D15/7

(71) Applicant: **Xylem IP Management S. a r. l.**,  
Senningerberg (LU)

(72) Inventors: **Malcolm Hanselman**, County Durham (GB); **John Florence**, Gloucestershire (GB); **Jonathan Turner**, Gloucestershire (GB); **Ralf Weaven**, Gloucestershire (GB)

\* cited by examiner

*Primary Examiner* — Khawaja Anwar

(73) Assignee: **XYLEM EUROPE GMBH**,  
Schaffhausen (CH)

(74) *Attorney, Agent, or Firm* — Womble Bond Dickinson (US) LLP

(\*\*) Term: **15 Years**

(57) **CLAIM**

(21) Appl. No.: **29/621,830**

The ornamental design for pump motor section, as shown and described.

(22) Filed: **Oct. 11, 2017**

(30) **Foreign Application Priority Data**

Apr. 12, 2017 (EM) ..... 003854033-0001

**DESCRIPTION**

(51) **LOC (12) Cl.** ..... **15-03**

(52) **U.S. Cl.**  
USPC ..... **D15/7**

(58) **Field of Classification Search**  
USPC ..... D15/7-9; D23/225, 231, 232  
CPC ..... F02M 37/04; F02M 37/14; F04B 53/92;  
F04B 1/005; F04D 13/06; F04D 29/22;  
F04D 29/046; F04D 29/2266  
See application file for complete search history.

FIG. 1 is a rear elevation view of our new design.  
FIG. 2 is a bottom plan view thereof.  
FIG. 3 is a front elevation view thereof.  
FIG. 4 is a front, side perspective view thereof.  
FIG. 5 is a left side elevation view thereof.  
FIG. 6 is a right side elevation view thereof; and,  
FIG. 7 is a top plan view thereof.

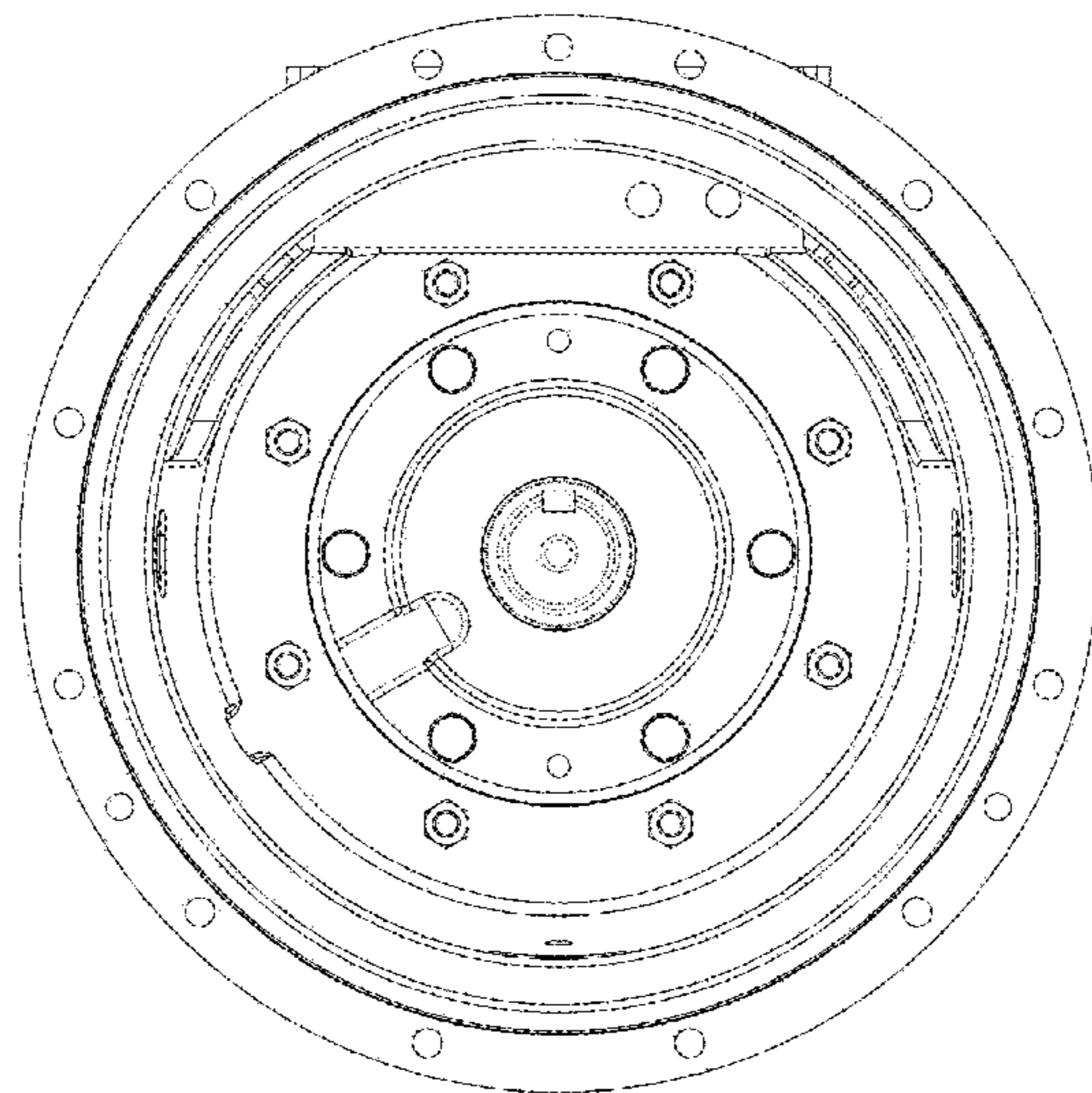
(56) **References Cited**

**U.S. PATENT DOCUMENTS**

D787,561 S *	5/2017	Theiss .....	D15/7
D788,178 S *	5/2017	Theiss .....	D15/7
D797,156 S *	9/2017	Paderni .....	D15/7
D817,364 S *	5/2018	He .....	D15/7
D822,719 S *	7/2018	Hines .....	D15/7

The broken lines are included for the purpose of illustrating portions of the pump motor section that form no part of the claimed design.

**1 Claim, 7 Drawing Sheets**



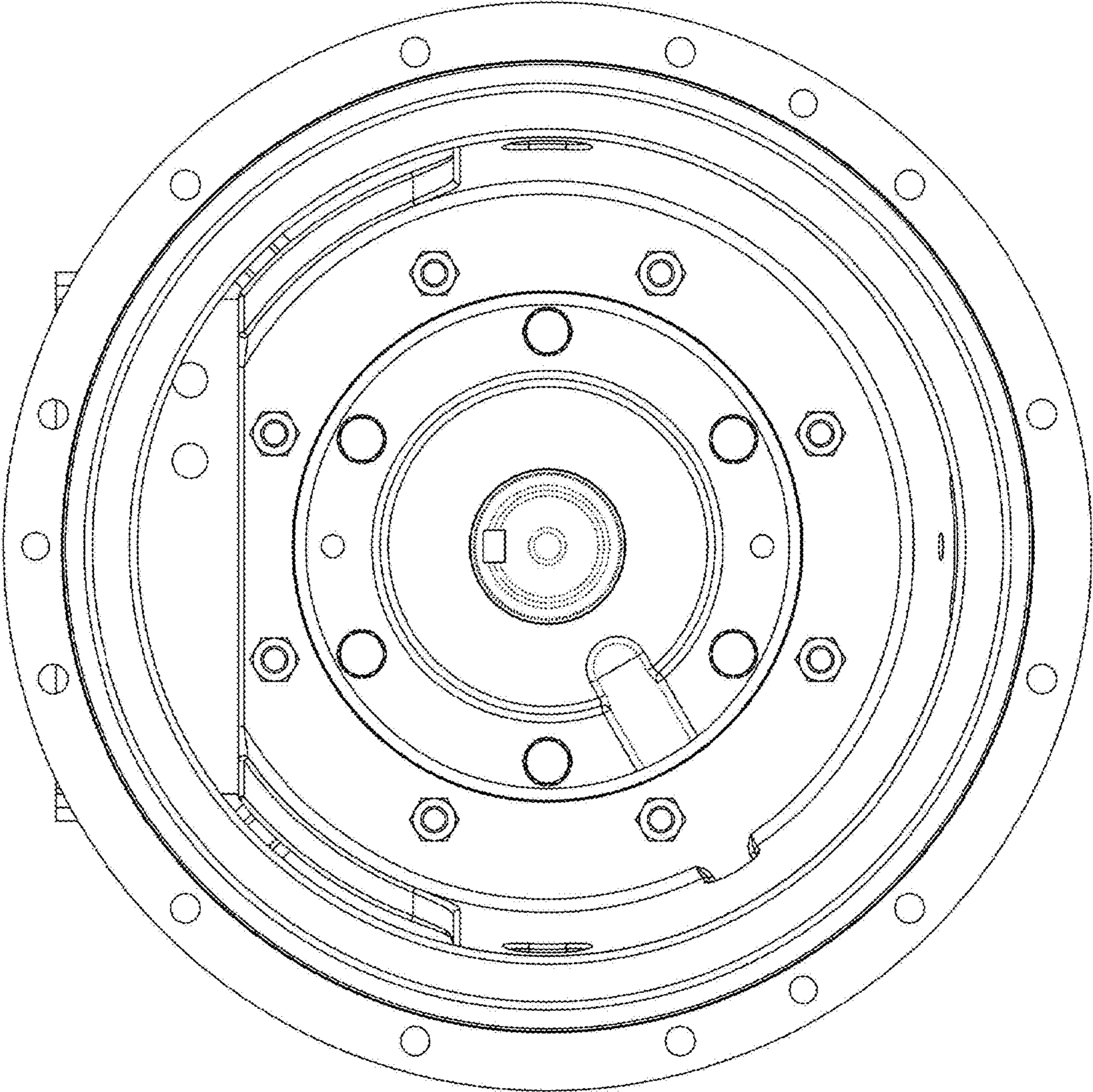


Figure 1

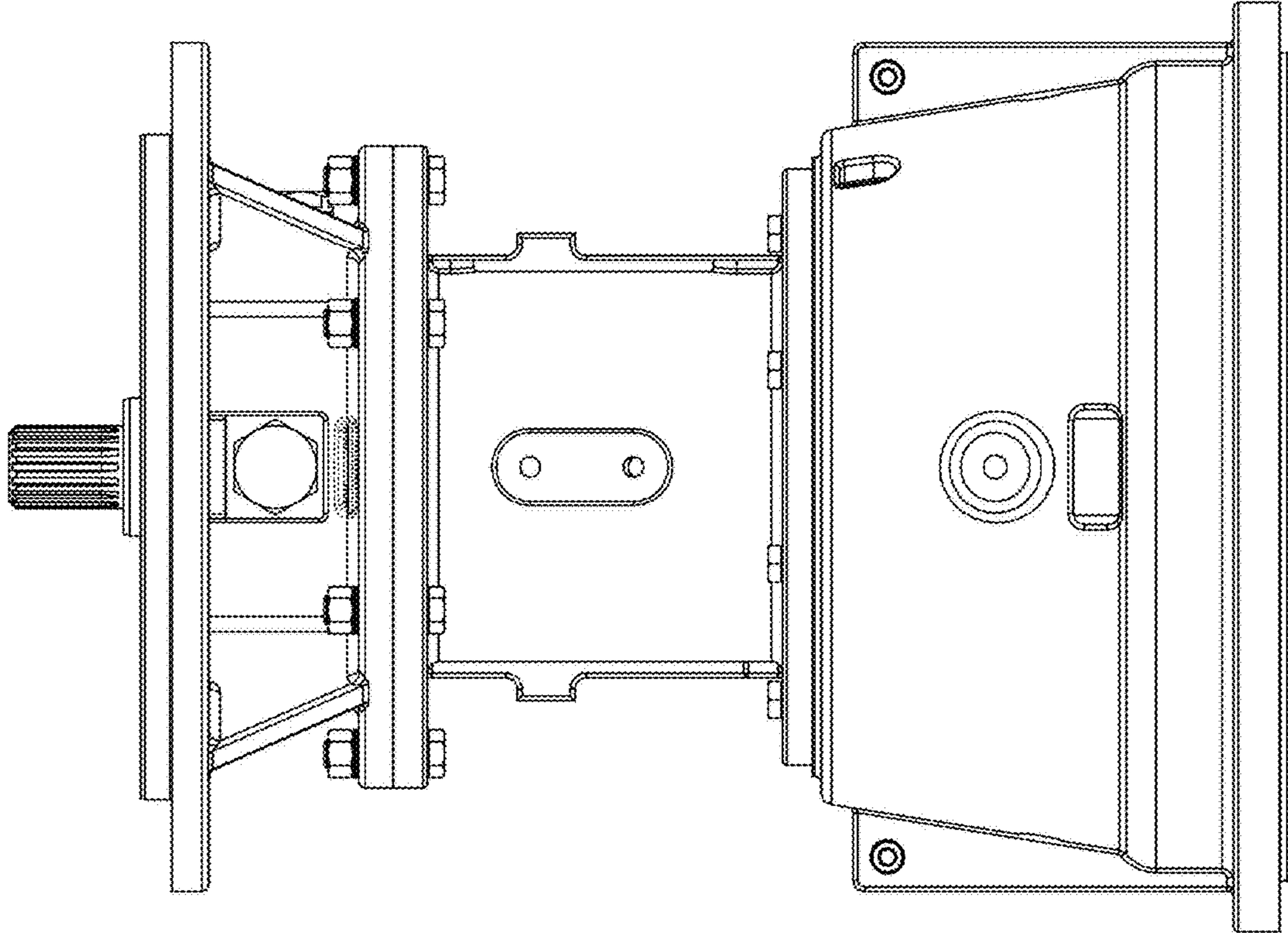


Figure 2

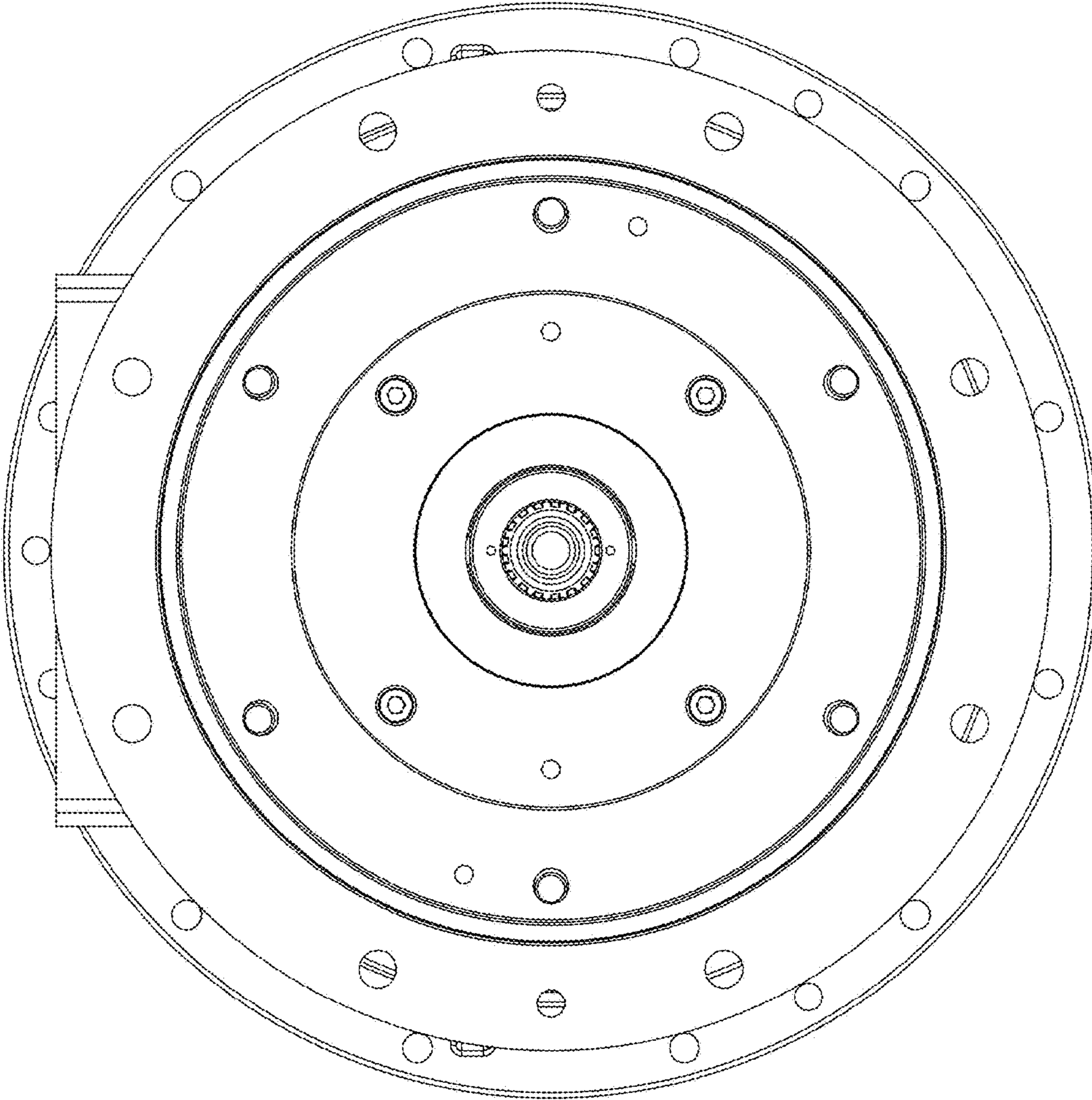


Figure 3

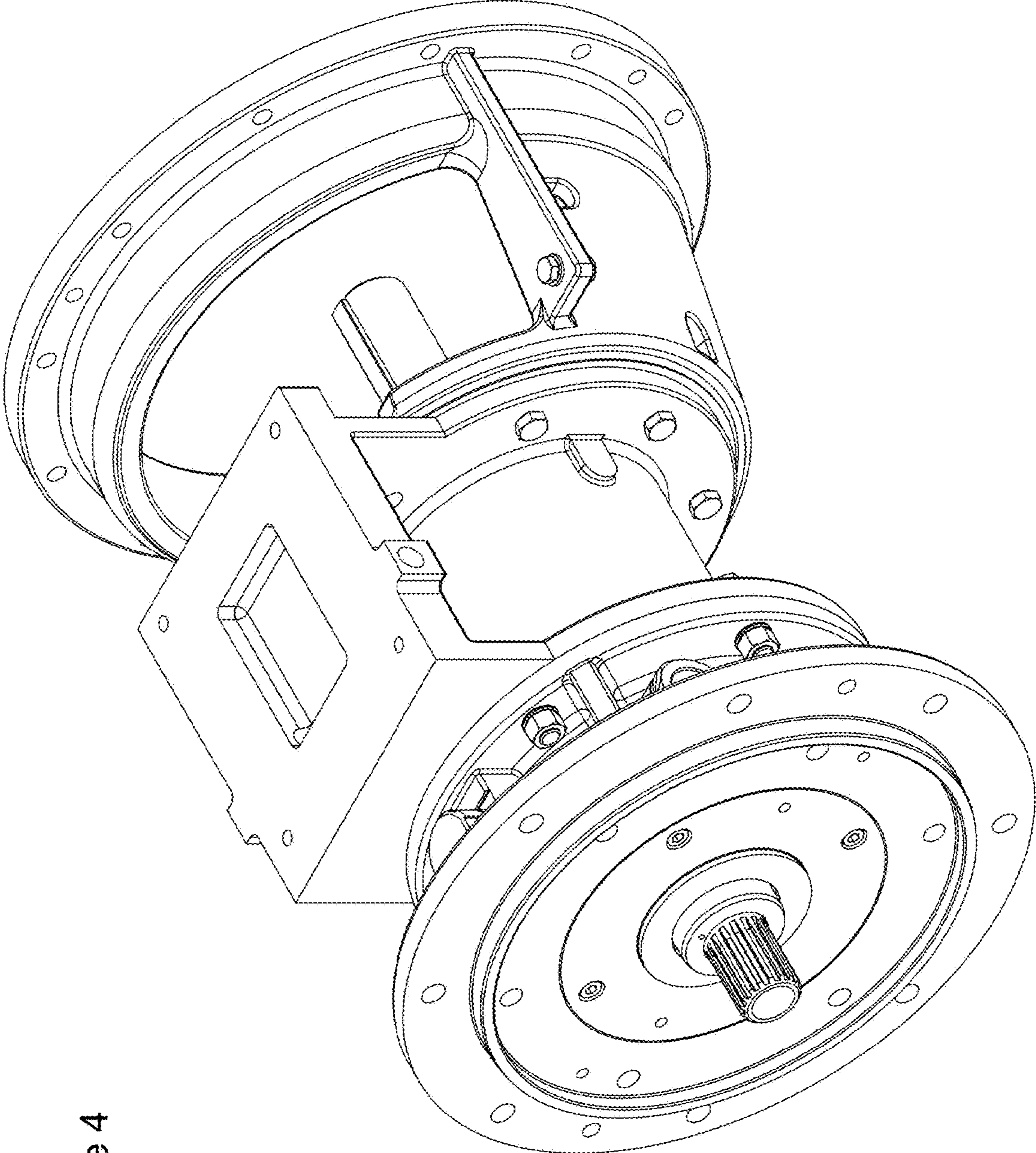


Figure 4

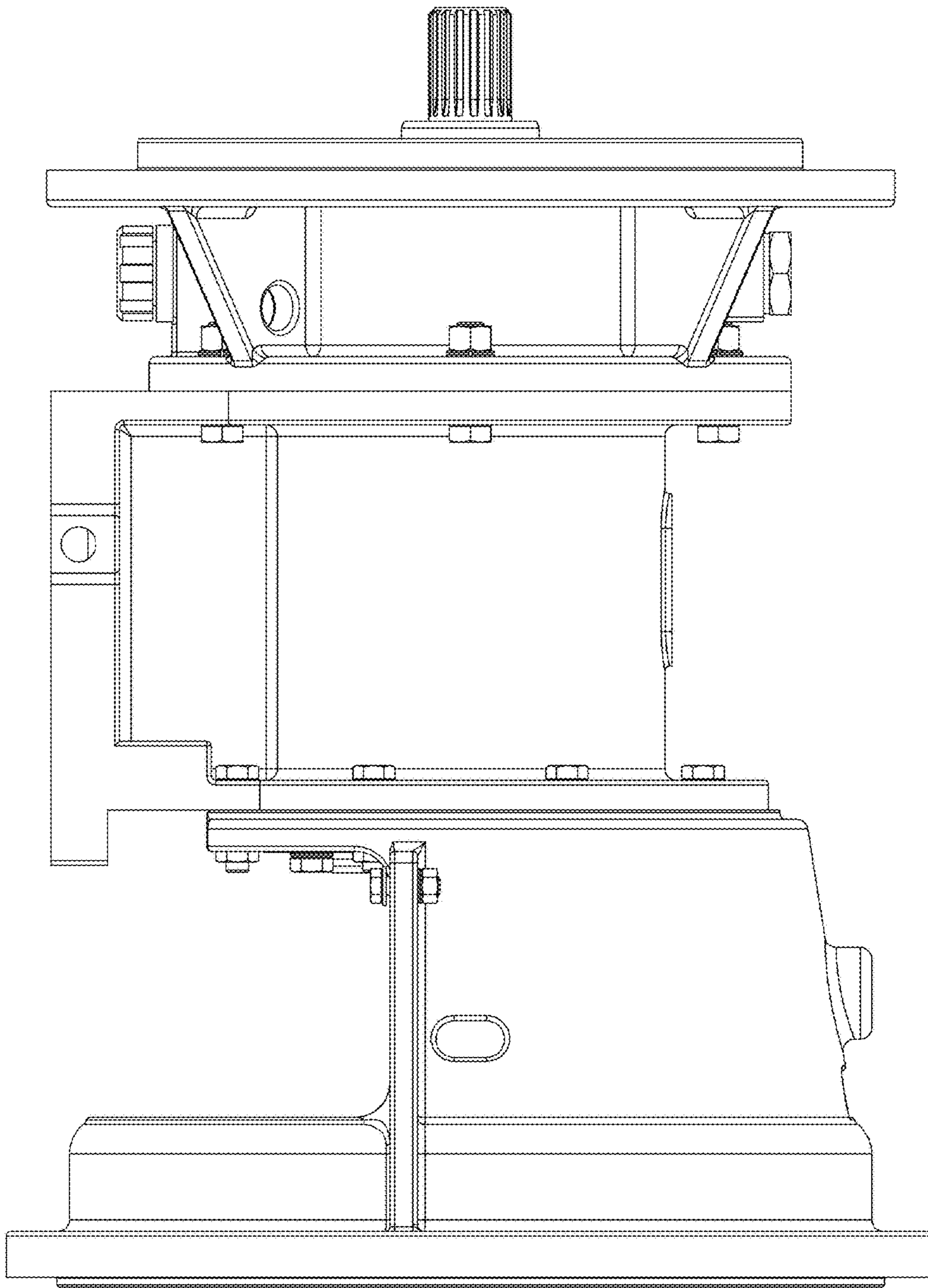


Figure 5

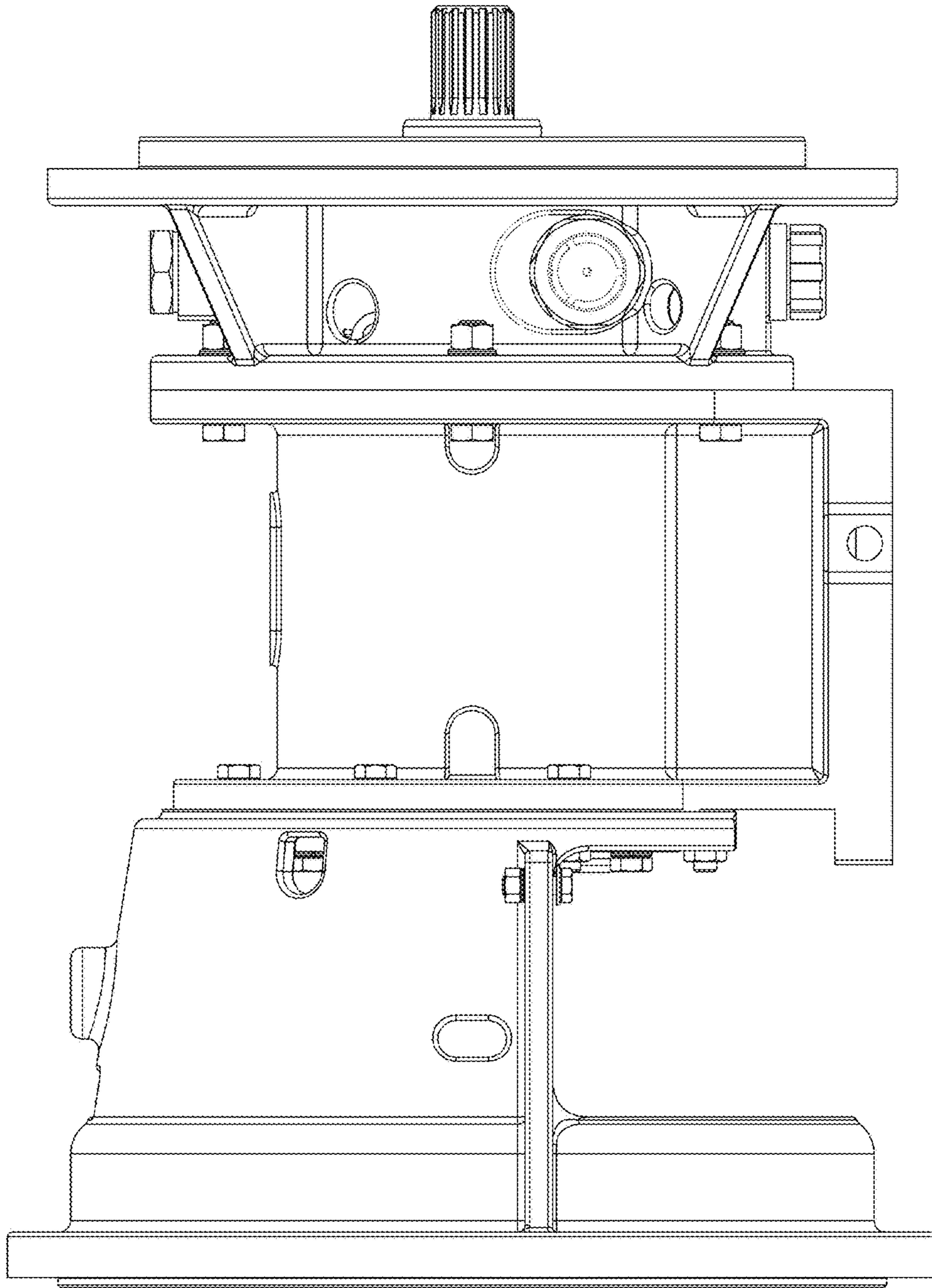


Figure 6

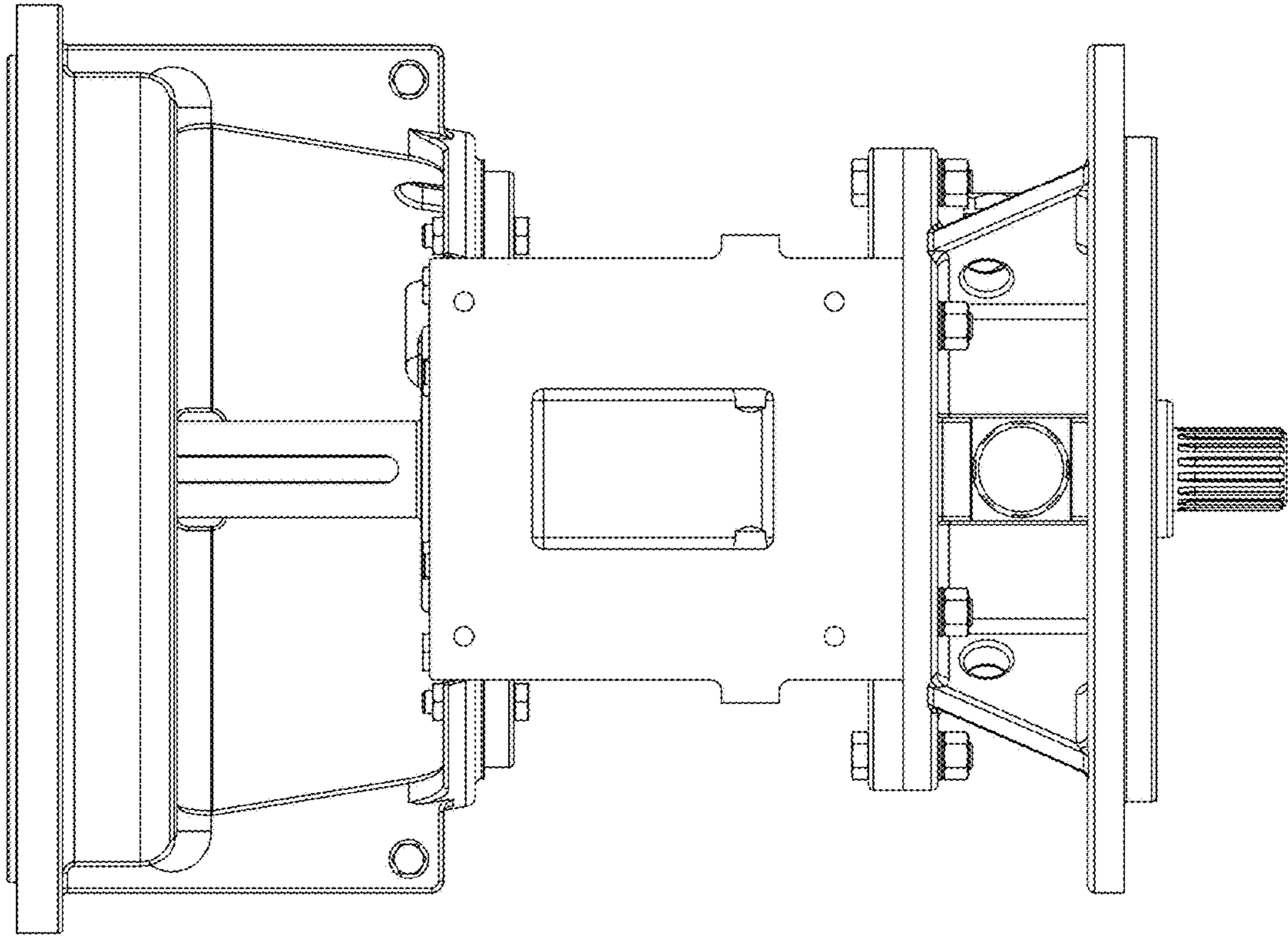


Figure 7