



US00D865004S

(12) **United States Design Patent**
McGinley et al.

(10) **Patent No.:** **US D865,004 S**

(45) **Date of Patent:** **** Oct. 29, 2019**

(54) **TRACTION MOTOR CASE**

(71) Applicant: **Harley-Davidson Motor Company Group, LLC**, Milwaukee, WI (US)

(72) Inventors: **Ben McGinley**, Glendale, WI (US);
Brad Richards, Grafton, WI (US);
Kirk Rasmussen, Springville, UT (US);
Ronald Hurth, Beaver Dam, WI (US);
David Isaac Aunkst, St. Francis, WI (US)

(73) Assignee: **Harley-Davidson Motor Company Group, LLC**, Milwaukee, WI (US)

(**) Term: **15 Years**

(21) Appl. No.: **29/658,224**

(22) Filed: **Jul. 30, 2018**

(51) **LOC (12) Cl.** **15-01**

(52) **U.S. Cl.**
USPC **D15/5**

(58) **Field of Classification Search**
USPC D15/1-6, 14, 148, 149; D13/112;
D12/110
CPC F02F 2007/0075; H02K 5/15; F01M 5/00;
F16M 1/026; F02P 3/02; F02B 37/013
See application file for complete search history.

(56) **References Cited**

U.S. PATENT DOCUMENTS

D753,552 S 4/2016 McGinley et al.
D781,920 S * 3/2017 Hsu D15/3

D839,921 S * 2/2019 Savage D15/3
2009/0126522 A1 * 5/2009 Albulushi F16H 3/089
74/329
2018/0215255 A1 * 8/2018 Kronsteiner B60K 1/00

* cited by examiner

Primary Examiner — T Chase Nelson

Assistant Examiner — Ania Aman

(74) *Attorney, Agent, or Firm* — Michael Best & Friedrich LLP

(57) **CLAIM**

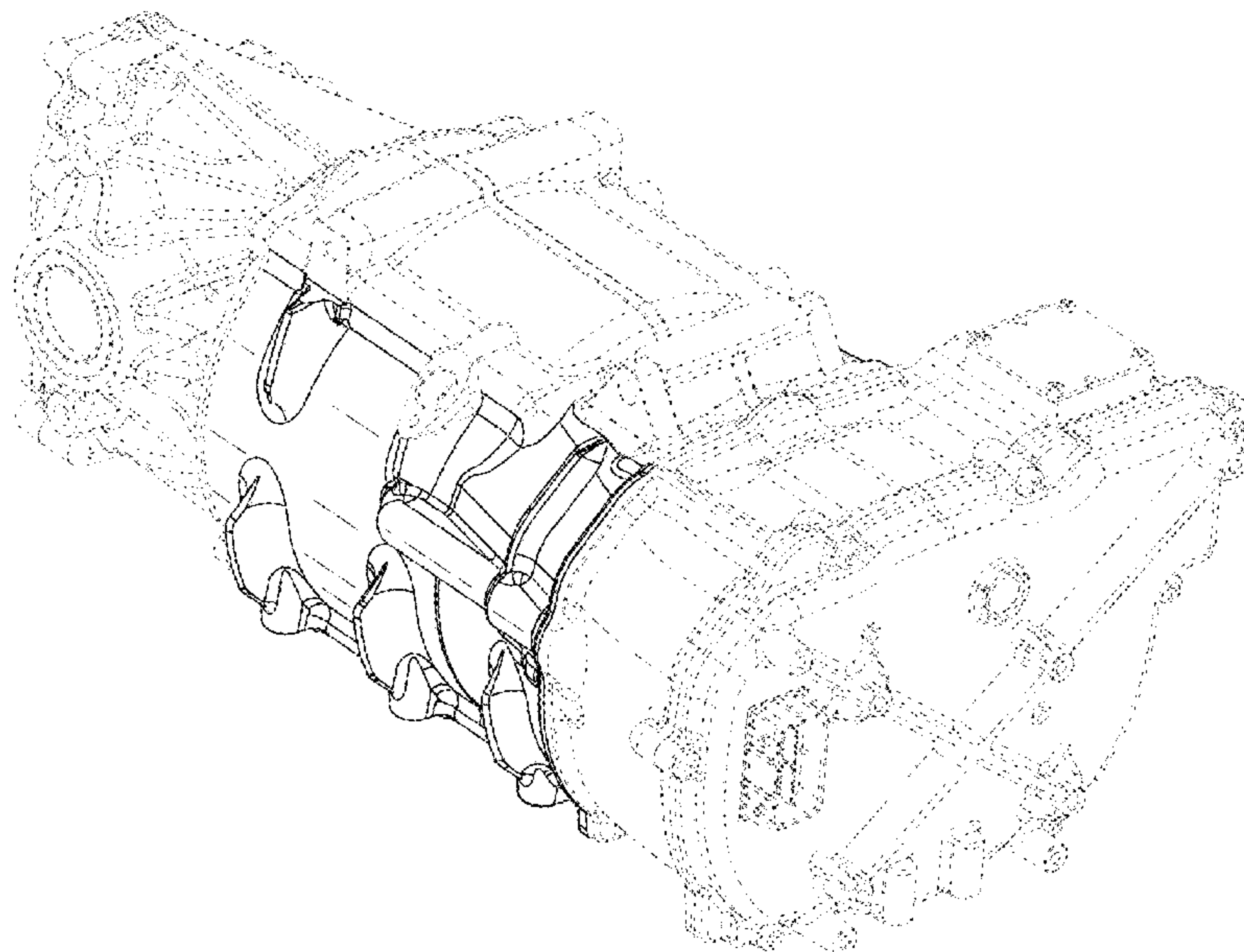
We claim the ornamental design for a traction motor case, as shown and described.

DESCRIPTION

FIG. 1 is a front perspective view of a traction motor case; FIG. 2 is a rear perspective view thereof; FIG. 3 is a front view thereof; FIG. 4 is a rear view thereof; FIG. 5 is a right side view thereof; FIG. 6 is a left side view thereof; FIG. 7 is a top view thereof; FIG. 8 is a bottom view thereof; and, FIG. 9 is a rear perspective view of the traction motor case on a motorcycle.

The broken lines are included for the purpose of showing environment that forms no part of the claimed design.

1 Claim, 9 Drawing Sheets



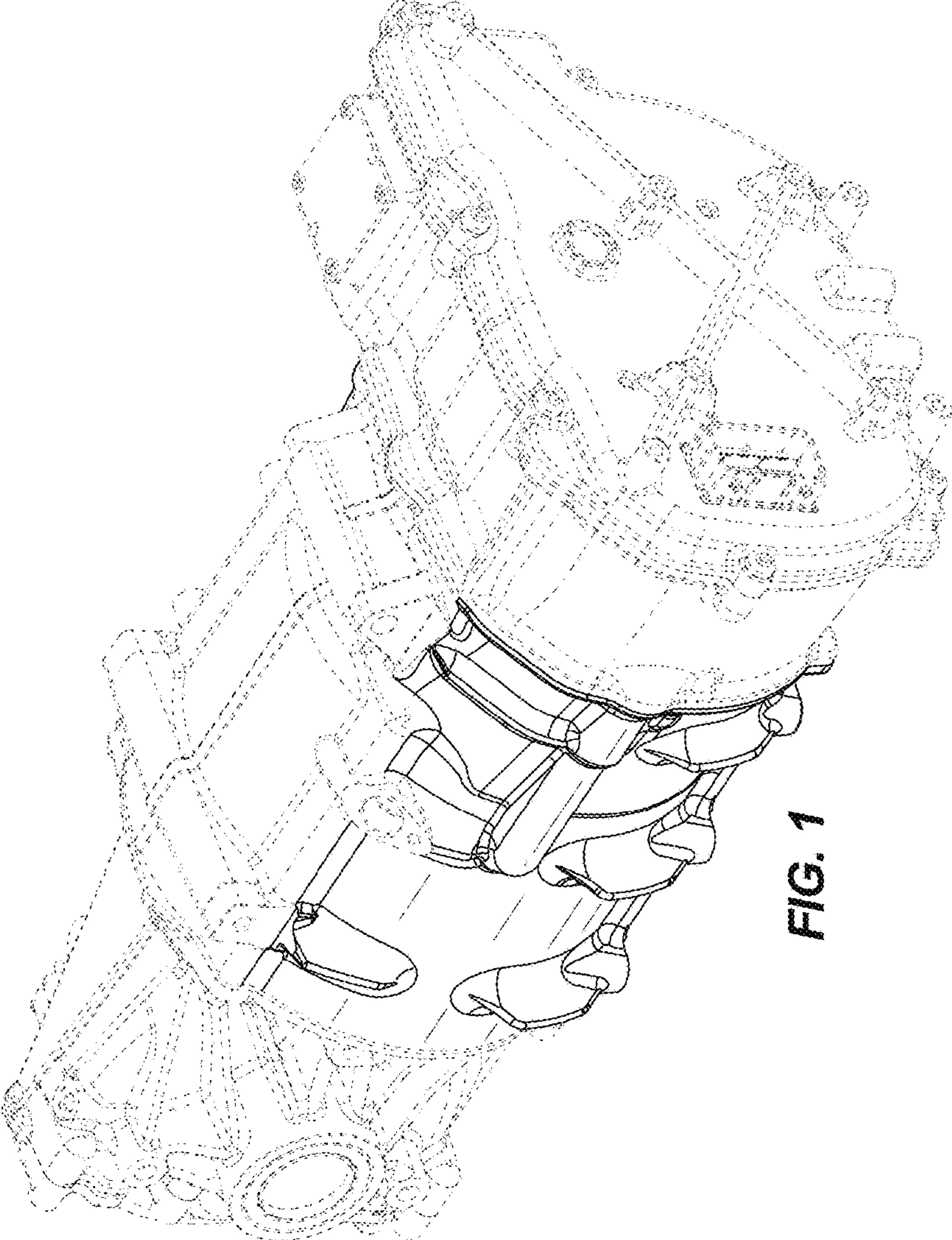


FIG. 1

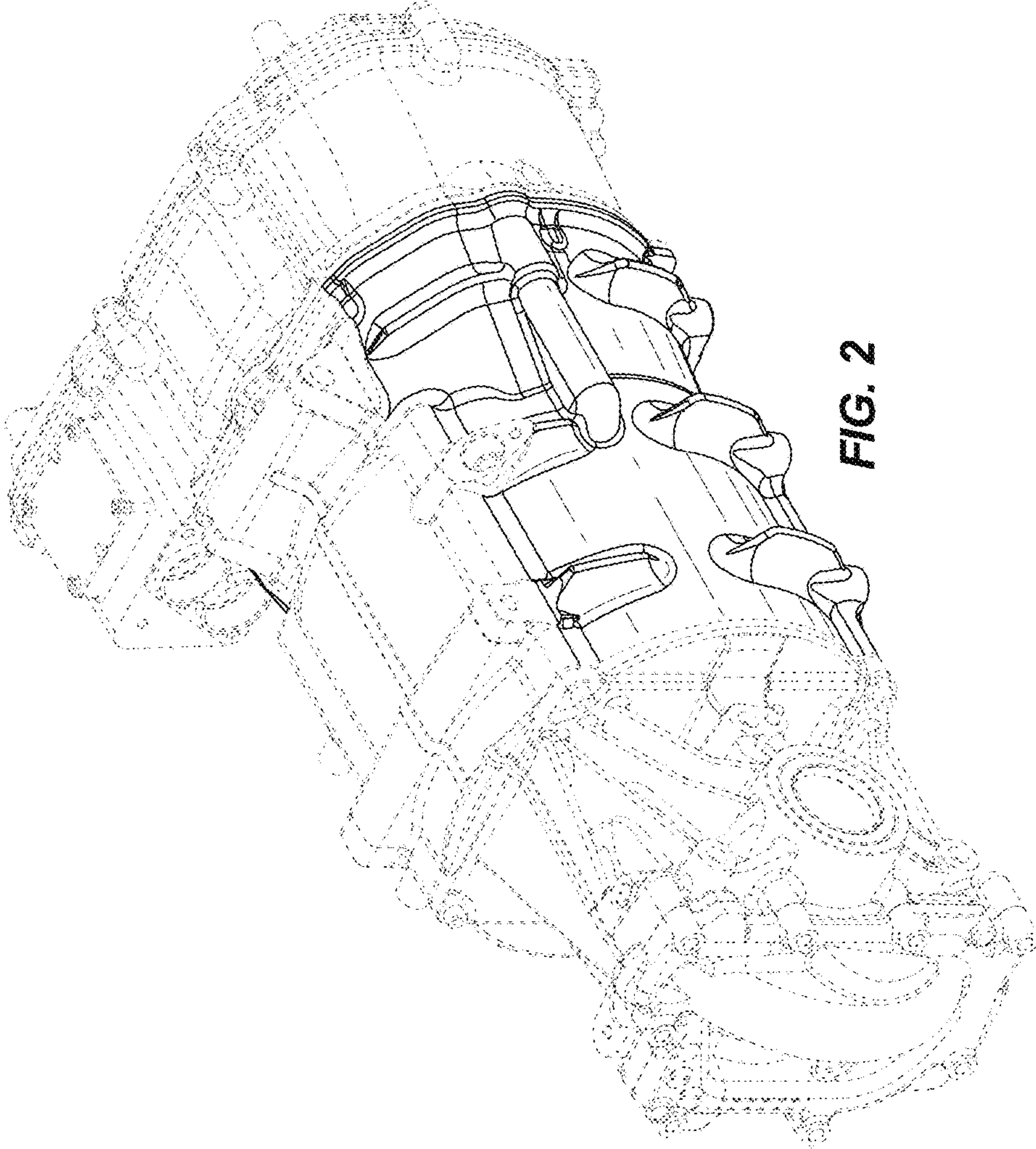


FIG. 2

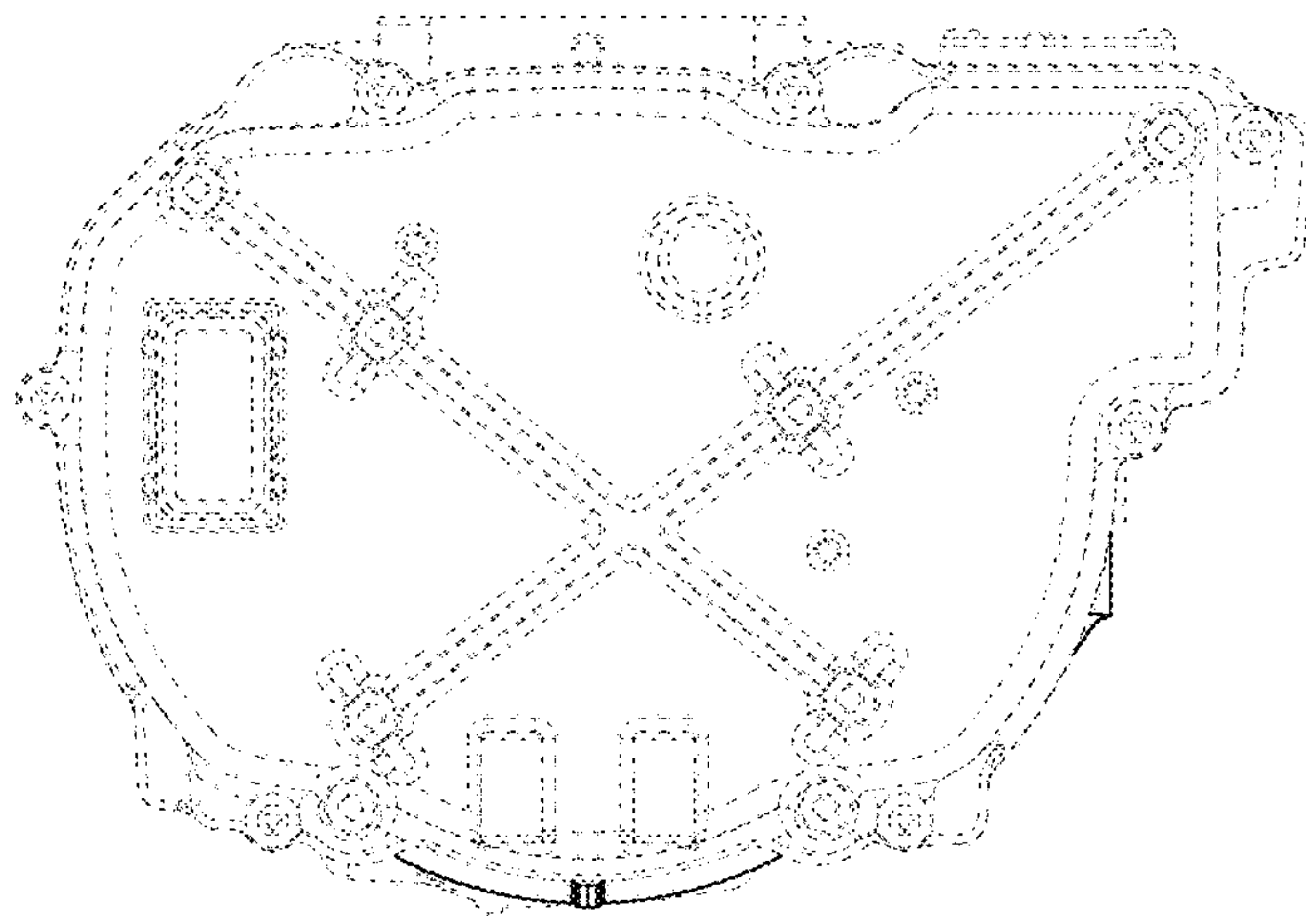


FIG. 3

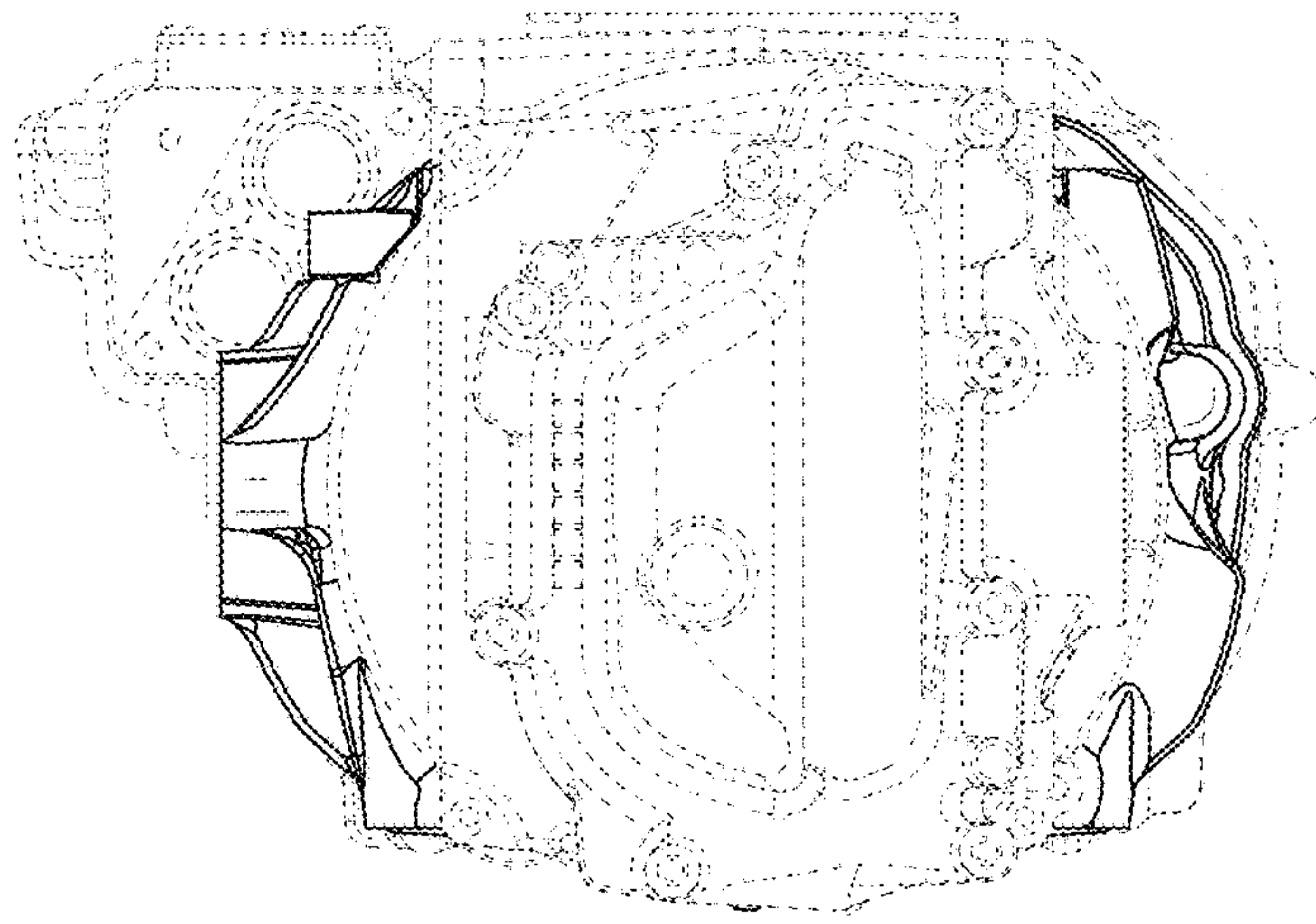


FIG. 4

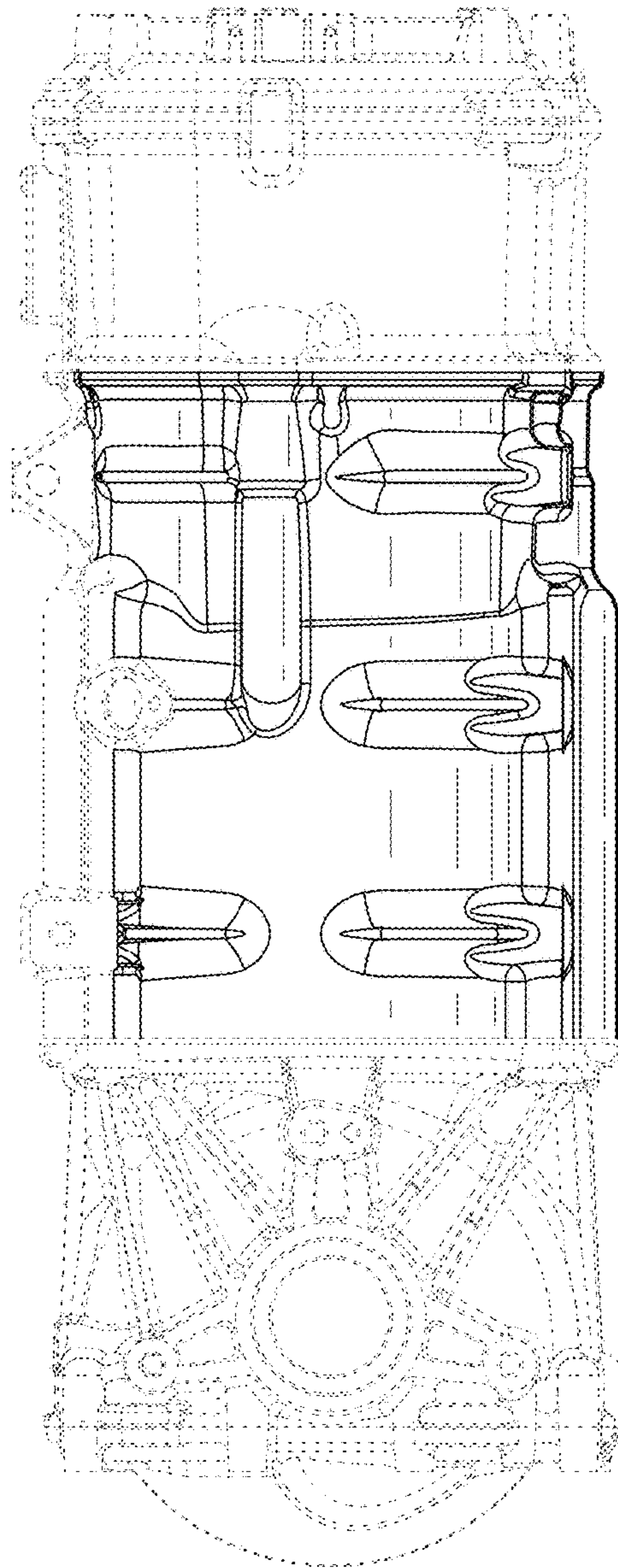


FIG. 5

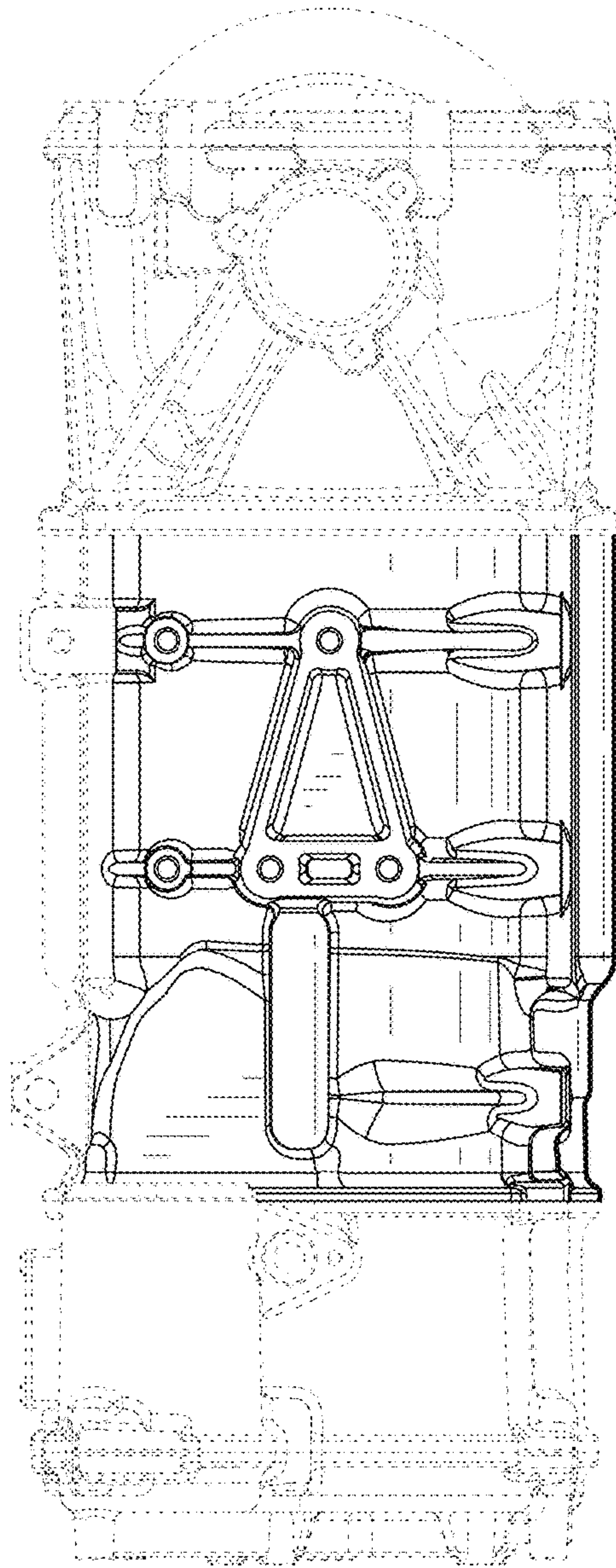
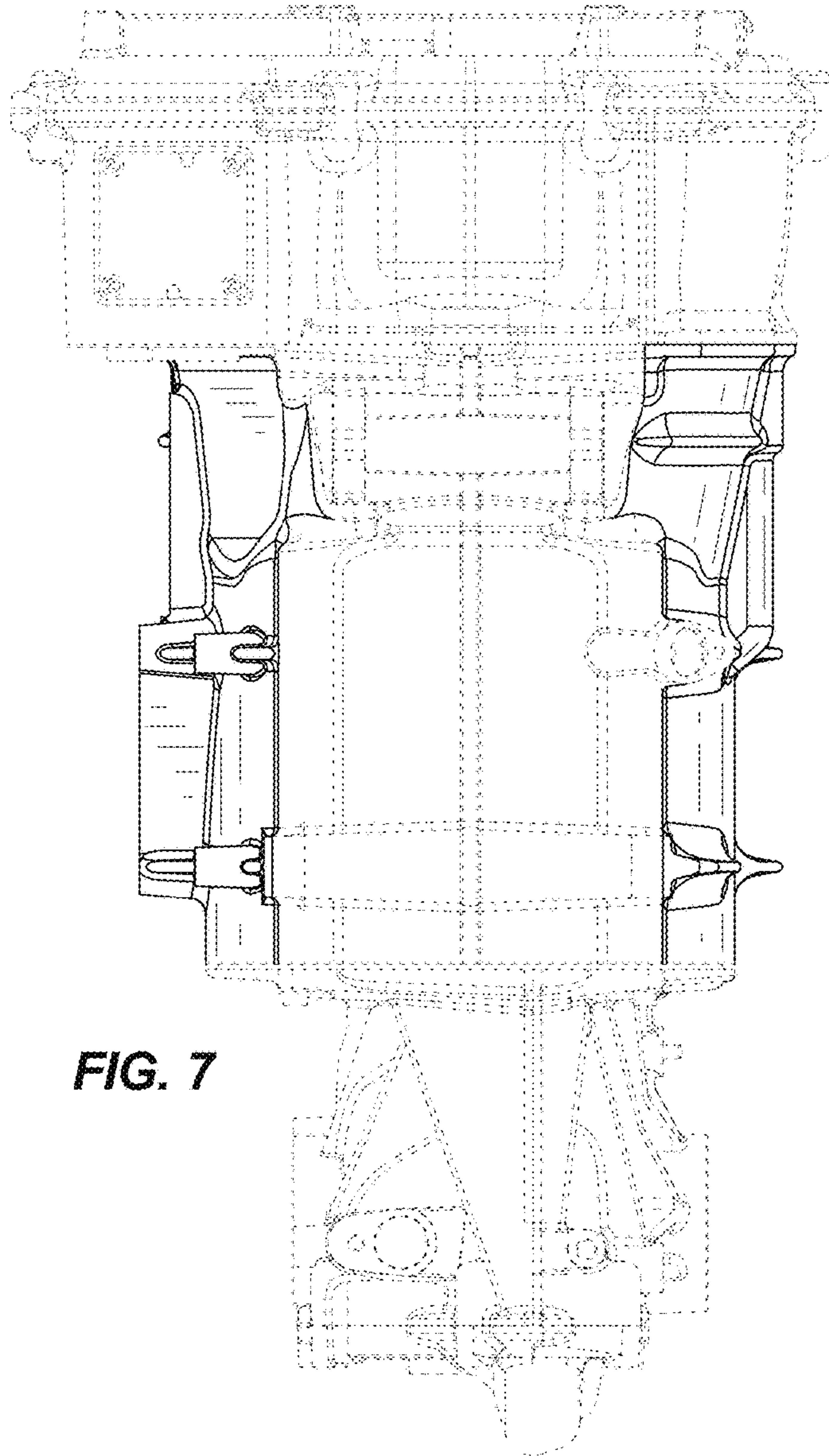


FIG. 6



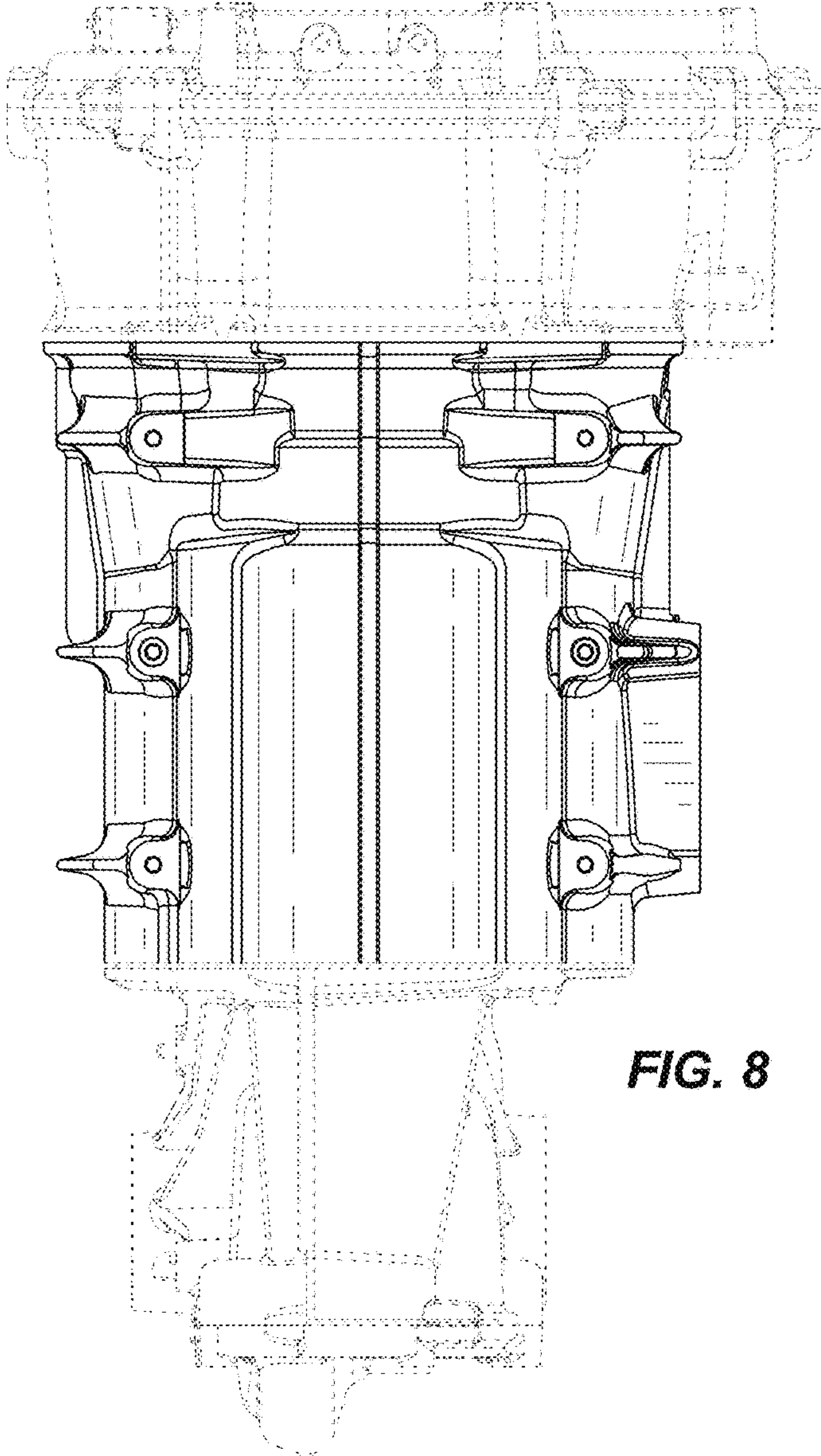


FIG. 8

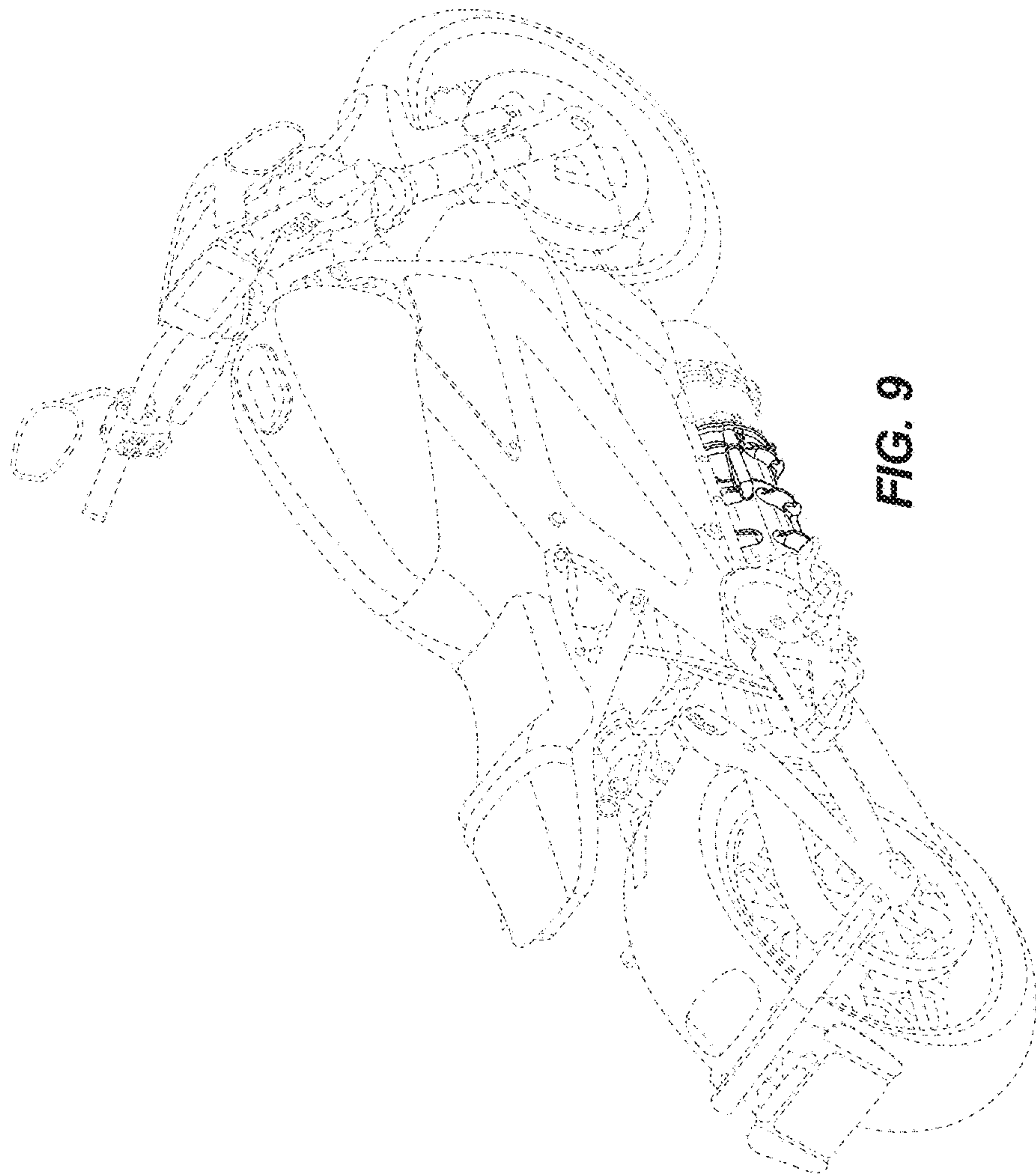


FIG. 9