

US00D864977S

(12) **United States Design Patent** (10) **Patent No.:** **US D864,977 S**
Lehmann (45) **Date of Patent:** **** Oct. 29, 2019**

(54) **DISPLAY SCREEN OR PORTION THEREOF WITH GRAPHICAL USER INTERFACE**

(71) Applicant: **MANITOU BF (SOCIETE ANONYME)**, Ancenis (FR)

(72) Inventor: **Thierry Lehmann**, Nantes (FR)

(73) Assignee: **MANITOU BF (SOCIETE ANONYME)**, Ancenis (FR)

(**) Term: **15 Years**

(21) Appl. No.: **29/612,099**

(22) Filed: **Jul. 28, 2017**

Related U.S. Application Data

(62) Division of application No. 35/500,462, filed on Oct. 21, 2015 (U.S. filing date under 35 U.S.C. 384), and having an international filing date of Aug. 6, 2015, now Pat. No. Des. 812,073.

(51) **LOC (12) Cl.** **14-04**

(52) **U.S. Cl.**
USPC **D14/485**

(58) **Field of Classification Search**
USPC D14/485-495; D18/26, 31-33; 715/702, 715/765, 764, 838
CPC G06F 3/048; G06F 3/0481; G06F 3/0482; G06F 3/04817; G06F 3/04812; G06F 3/016

See application file for complete search history.

(56) **References Cited**

U.S. PATENT DOCUMENTS

D688,697 S * 8/2013 Phelan D14/489
D690,720 S * 10/2013 Waldman D14/485
D690,728 S * 10/2013 Brinda D14/488
D690,737 S * 10/2013 Wen D14/489

D691,171 S * 10/2013 Brinda D14/488
D691,629 S * 10/2013 Matas D14/488
D696,270 S * 12/2013 Hyunjung D14/486
D697,073 S * 1/2014 Andersson D14/485
D699,747 S * 2/2014 Pearson D14/488
D699,750 S * 2/2014 Pearson D14/488
D700,207 S * 2/2014 Pearson D14/488
D701,226 S * 3/2014 Jung D14/486
D701,869 S * 4/2014 Matas D14/486
D703,693 S * 4/2014 Brinda D14/488
D706,806 S * 6/2014 Nishizawa D14/488
D708,221 S * 7/2014 Danton D14/492
D709,092 S * 7/2014 Mariet D14/489
D709,915 S * 7/2014 Inose D14/492
D710,862 S * 8/2014 Wang D14/485
D712,425 S * 9/2014 Nagaoka D14/485
D712,911 S * 9/2014 Pearson D14/486
D713,850 S * 9/2014 Jiyeon D14/485
D714,320 S * 9/2014 Pereira D14/485
D714,325 S * 9/2014 Pereira D14/485
D714,819 S * 10/2014 Wang D14/486
D715,811 S * 10/2014 Tsukamoto D14/485
D719,180 S * 12/2014 Liang D14/486

(Continued)

Primary Examiner — Rhea Shields

(74) *Attorney, Agent, or Firm* — Ipsilon USA, LLP

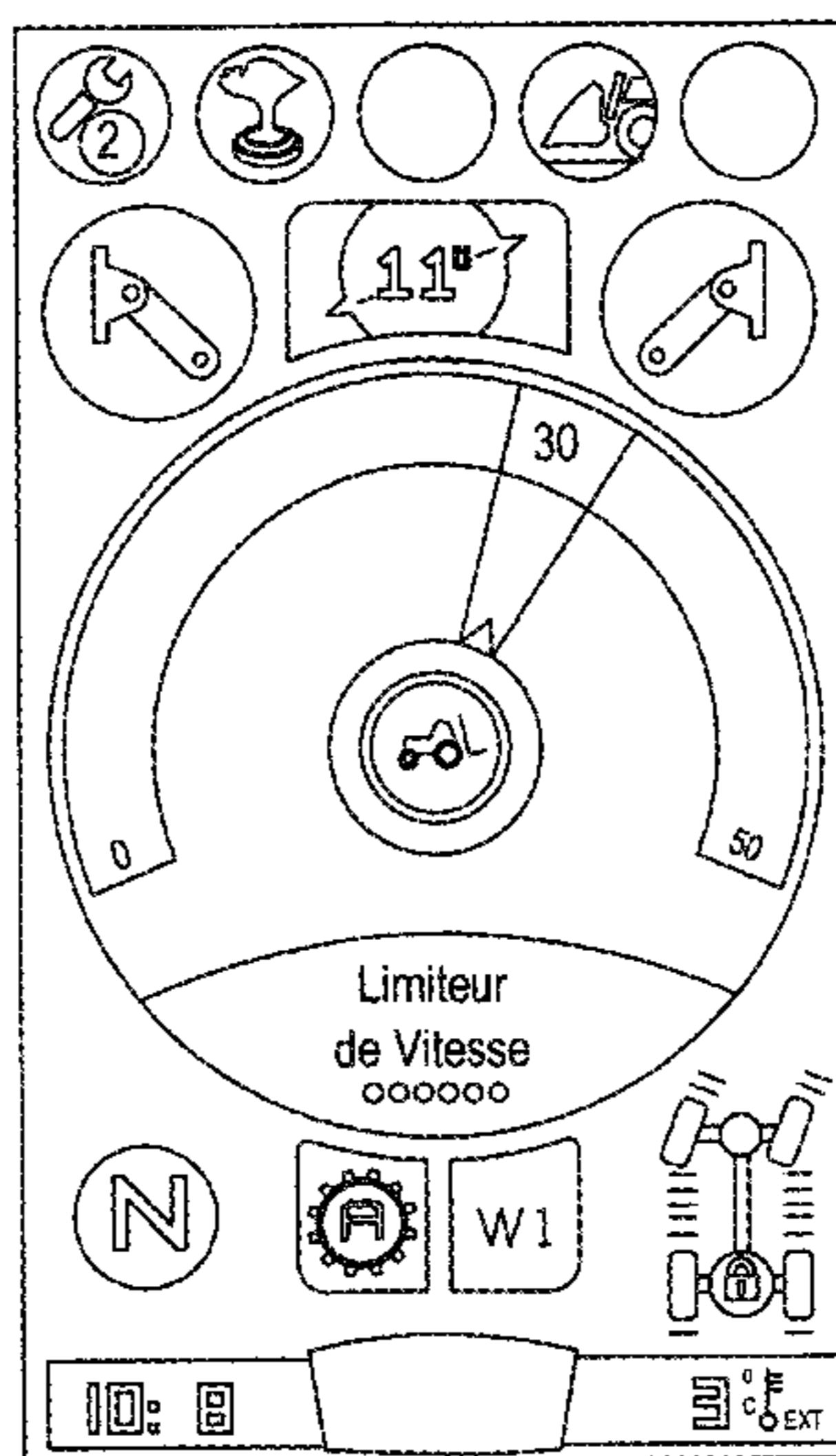
(57) **CLAIM**

The ornamental design for a display screen or portion thereof with graphical user interface, as shown and described.

DESCRIPTION

FIG. 1 is a front view of a first embodiment of a display screen or portion thereof with graphical user interface; and, FIG. 2 is a front view of a first embodiment of a display screen or portion thereof with graphical user interface. In the drawings, the broken lines are for the purpose of illustrating portions of the display screen or portion thereof and forms no part of the claimed design.

1 Claim, 2 Drawing Sheets



(56)

References Cited

U.S. PATENT DOCUMENTS

D721,084 S *	1/2015	Kimball	D14/485
D724,618 S *	3/2015	Shin	D14/487
D725,148 S *	3/2015	Pereira	D14/492
D728,598 S *	5/2015	Lee	D14/486
D729,260 S *	5/2015	Ahn	D14/485
D730,395 S *	5/2015	Smith	D14/489
D735,748 S *	8/2015	Francisco	D14/487
2015/0082162 A1 *	3/2015	Cho	G06F 3/016 715/702

* cited by examiner

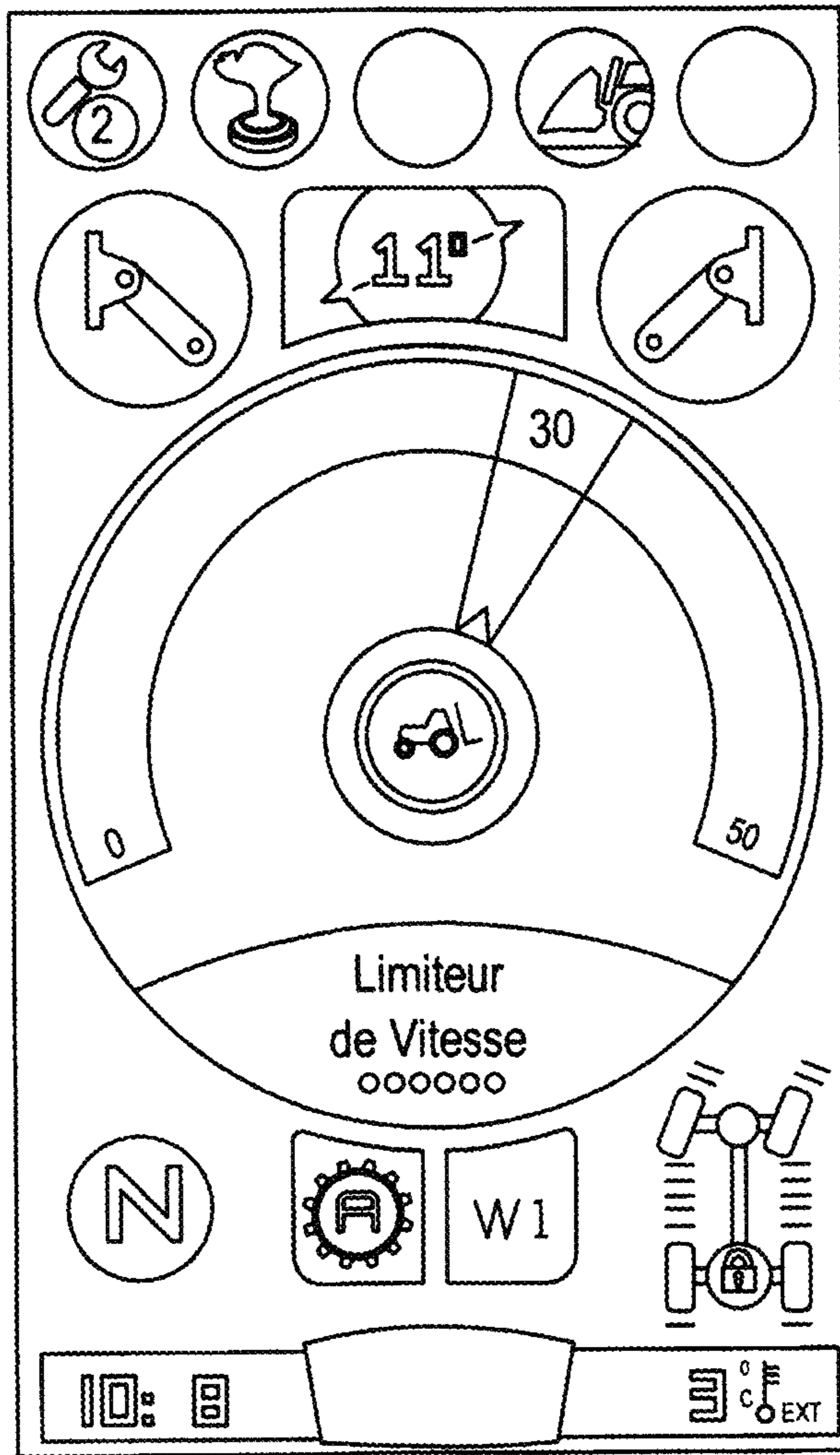


Figure 1

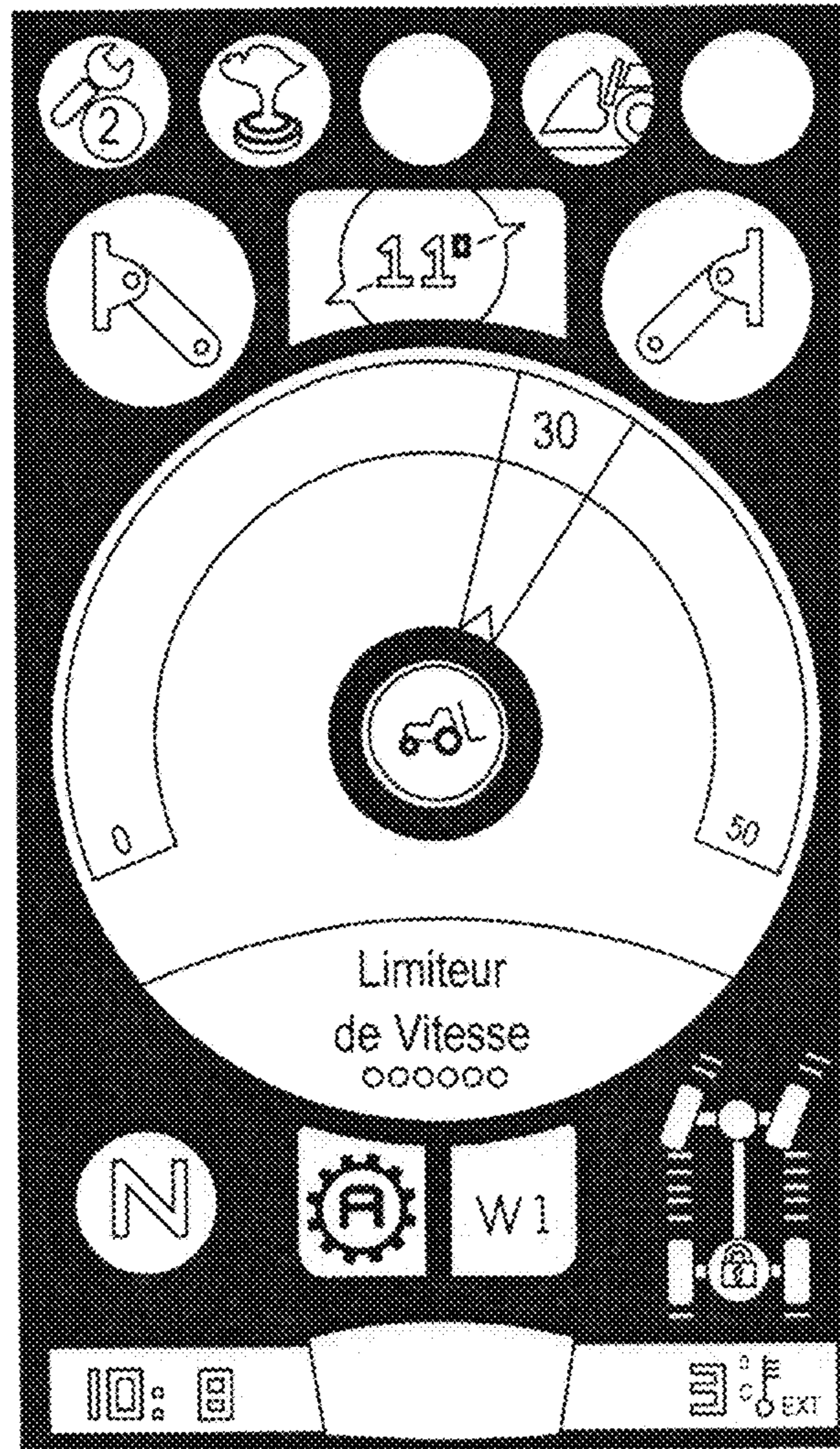


Figure 2