

US00D864976S

(12) **United States Design Patent** (10) **Patent No.:** **US D864,976 S**  
**Shim** (45) **Date of Patent:** **\*\* Oct. 29, 2019**

(54) **USB MEMORY**

(71) Applicant: **SAMSUNG ELECTRONICS CO., LTD.**, Suwon-si (KR)

(72) Inventor: **Shady Shim**, Seoul (KR)

(73) Assignee: **SAMSUNG ELECTRONICS CO., LTD.**, Suwon-si (KR)

(\*\*) Term: **15 Years**

(21) Appl. No.: **29/647,995**

(22) Filed: **May 17, 2018**

(30) **Foreign Application Priority Data**

Nov. 20, 2017 (KR) ..... 30-2017-0054203

(51) **LOC (12) Cl.** ..... **14-03**

(52) **U.S. Cl.**  
USPC ..... **D14/480.1**

(58) **Field of Classification Search**  
USPC ..... D14/480.1–480.7, 435.1, 411, 433, 436,  
D14/484.1, 137, 155, 203.1–203.8, 240,  
D14/242; D13/133, 154; D21/325, 329  
CPC ..... H05K 5/0278; G06K 19/07732  
See application file for complete search history.

(56) **References Cited**

**U.S. PATENT DOCUMENTS**

D611,946 S	*	3/2010	Wisniewski	.....	D14/480.5
D648,730 S	*	11/2011	Huang	.....	D14/480.5
D759,021 S		6/2016	Shim		
D759,027 S	*	6/2016	Magi	.....	D14/480.1
D759,028 S	*	6/2016	Emami	.....	D14/480.1
D771,059 S	*	11/2016	Shim	.....	D14/480.5
D771,632 S	*	11/2016	Shim	.....	D14/435.1
D771,636 S	*	11/2016	Shim	.....	D14/480.1
D780,183 S		2/2017	Ferguson et al.		
D785,001 S	*	4/2017	Shim	.....	D14/480.1
D798,877 S	*	10/2017	Huang	.....	D14/480.1

D806,089 S	*	12/2017	Shim	.....	D14/480.5
D831,669 S	*	10/2018	Shim	.....	D14/480.5
D831,670 S	*	10/2018	Shim	.....	D14/480.5
D842,308 S	*	3/2019	Shim	.....	D14/480.5

**FOREIGN PATENT DOCUMENTS**

EM	003355825-0002	9/2016
KR	30-0683747 S	3/2013

(Continued)

**OTHER PUBLICATIONS**

Known-Prior Art 1—Manufacturer: Sandisk, Model: SDCZ71-016G-B35, Source: <https://itbox.pro/catalog/item/227284/>. (one (1) page total).

(Continued)

*Primary Examiner* — Angela J Lee

(74) *Attorney, Agent, or Firm* — Sughrue Mion, PLLC

(57) **CLAIM**

The ornamental design for a USB memory, as shown and described.

**DESCRIPTION**

FIG. 1 is a perspective view of USB memory showing our new design.

FIG. 2 is a front elevation view thereof.

FIG. 3 is a rear elevation view thereof.

FIG. 4 is a left side elevation view thereof.

FIG. 5 is a right side elevation view thereof.

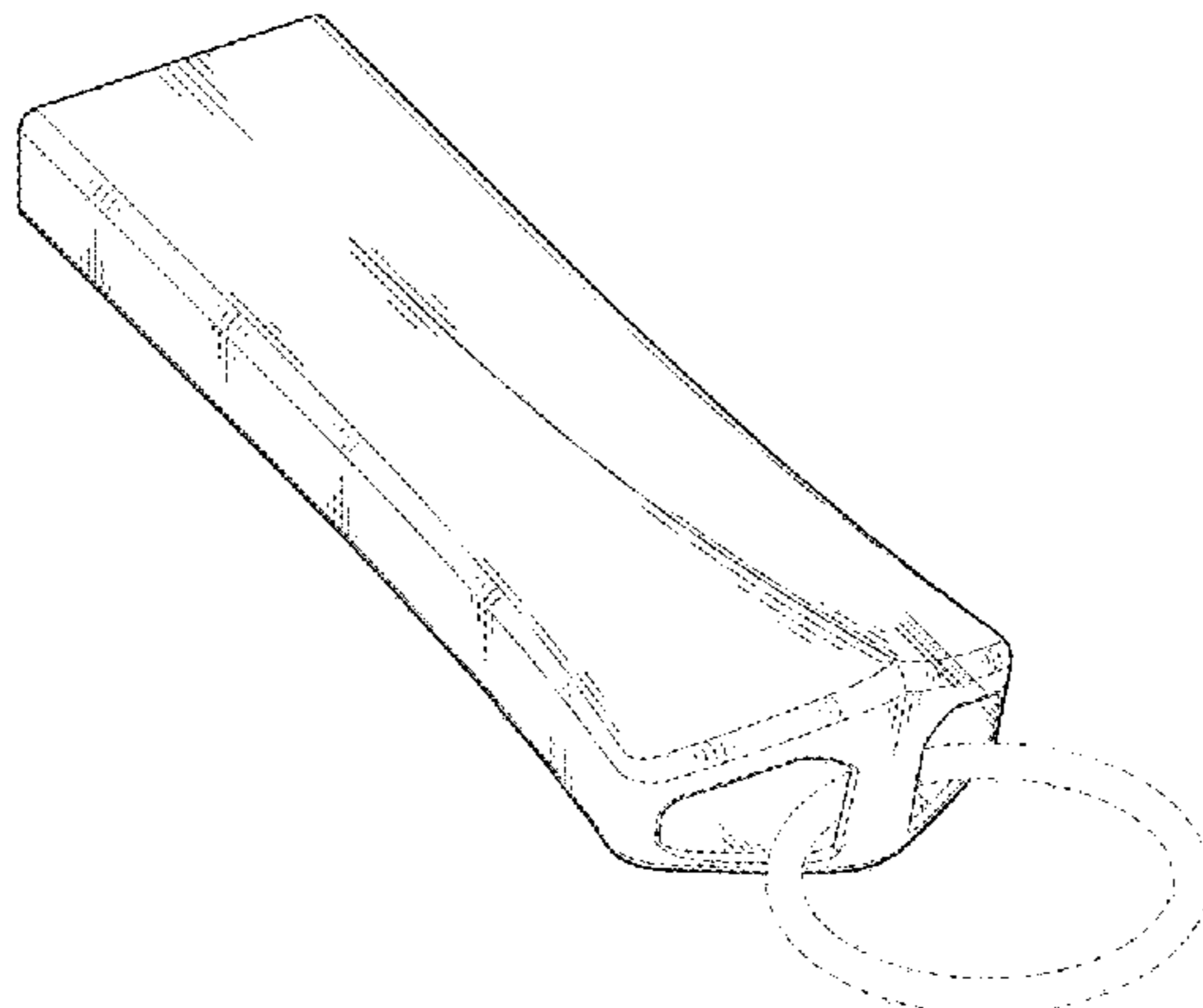
FIG. 6 is a top plan view thereof.

FIG. 7 is a bottom plan view thereof; and,

FIG. 8 is another perspective view of USB memory shown in an example environment.

The broken lines are for environmental purposes only and form no part of the claimed design.

**1 Claim, 5 Drawing Sheets**



(56)

**References Cited**

FOREIGN PATENT DOCUMENTS

KR	30-0837847 S	2/2016
KR	30-0851100 S	4/2016

OTHER PUBLICATIONS

Known-Prior Art 2—Manufacturer: Wellendorff, Model: USB, Source: [https://ko.aliexpress.com/item/MICRODRIVE-Hot-Sale-USB-Flash-Drive-4GB-8GB-16GB-32GB-High-Speed-Pen-Drive-Metal-Pendrive/32813270082.html?src=ibdm\\_d03p0558e02r02](https://ko.aliexpress.com/item/MICRODRIVE-Hot-Sale-USB-Flash-Drive-4GB-8GB-16GB-32GB-High-Speed-Pen-Drive-Metal-Pendrive/32813270082.html?src=ibdm_d03p0558e02r02). (one (1) page total).

Known-Prior Art 3—Manufacturer: FlashPlus, Model: USB, Source: <https://www.amazon.com/Metal-Flash-Drive-Silver-H01128/dp/B073CNMB8H>. (one (1) page total).

Communication dated Oct. 4, 2018, issued by the Taiwan Patent Office in counterpart Taiwan Application No. 107302767.

\* cited by examiner

FIG. 1

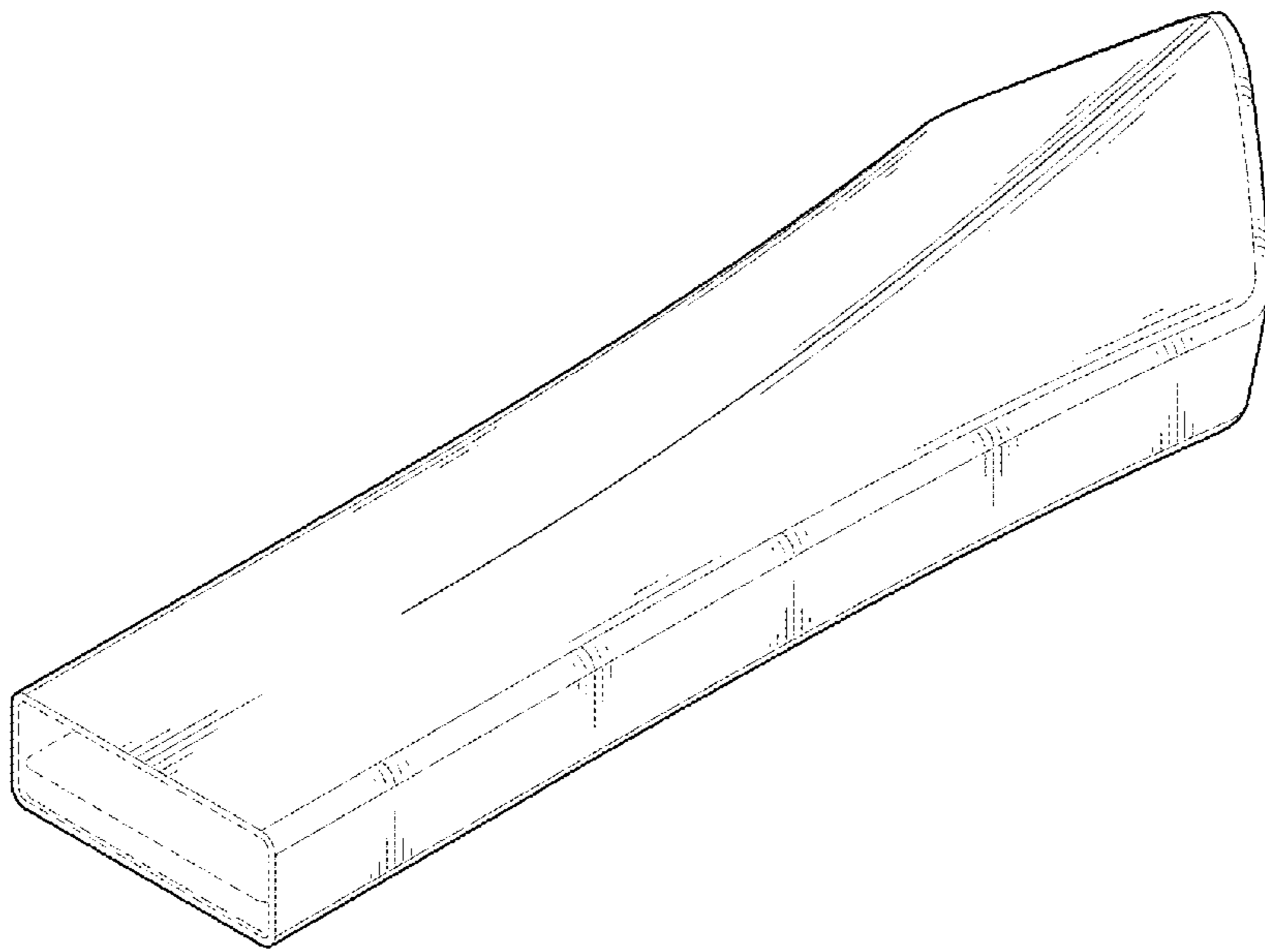


FIG. 2

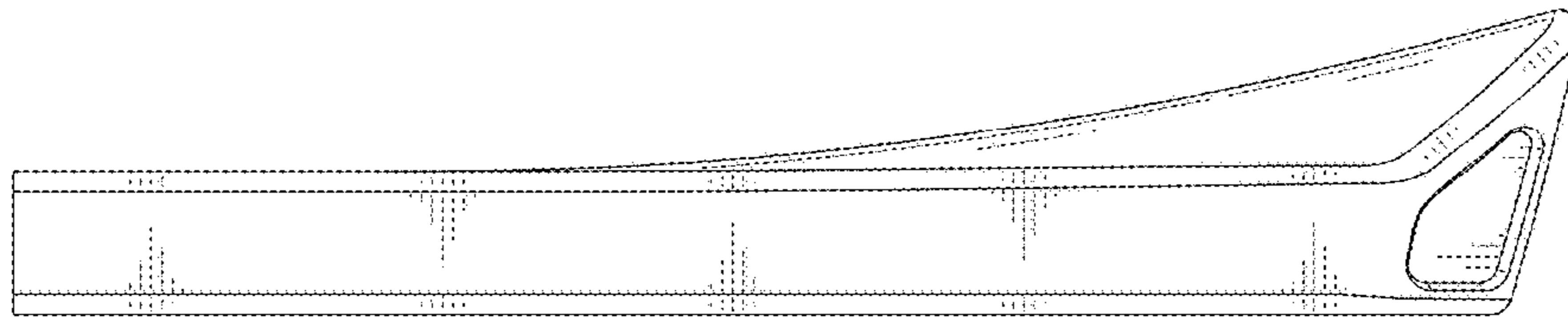


FIG. 3

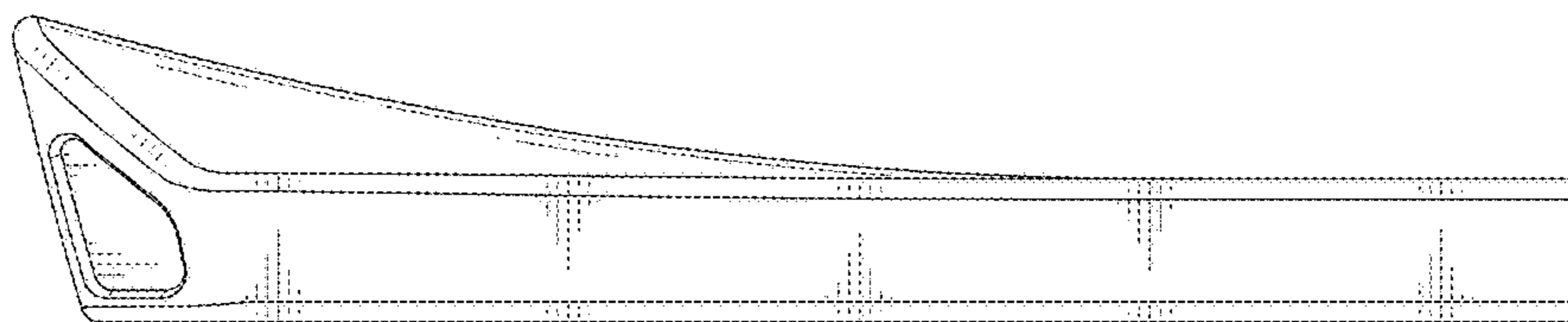


FIG. 4

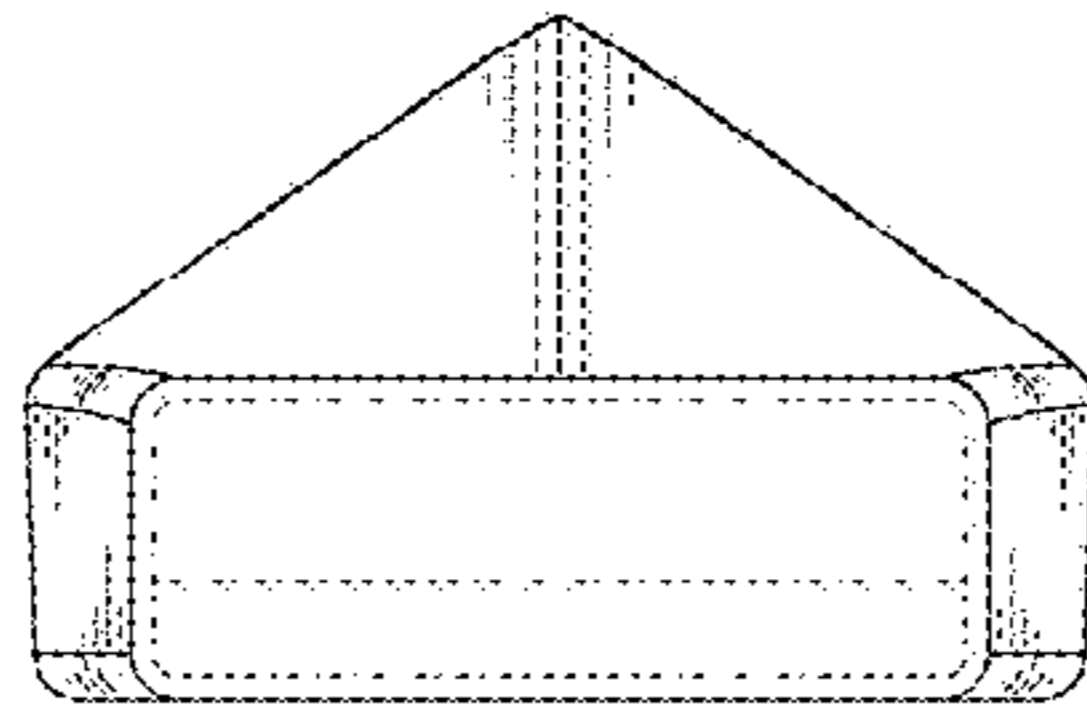


FIG. 5

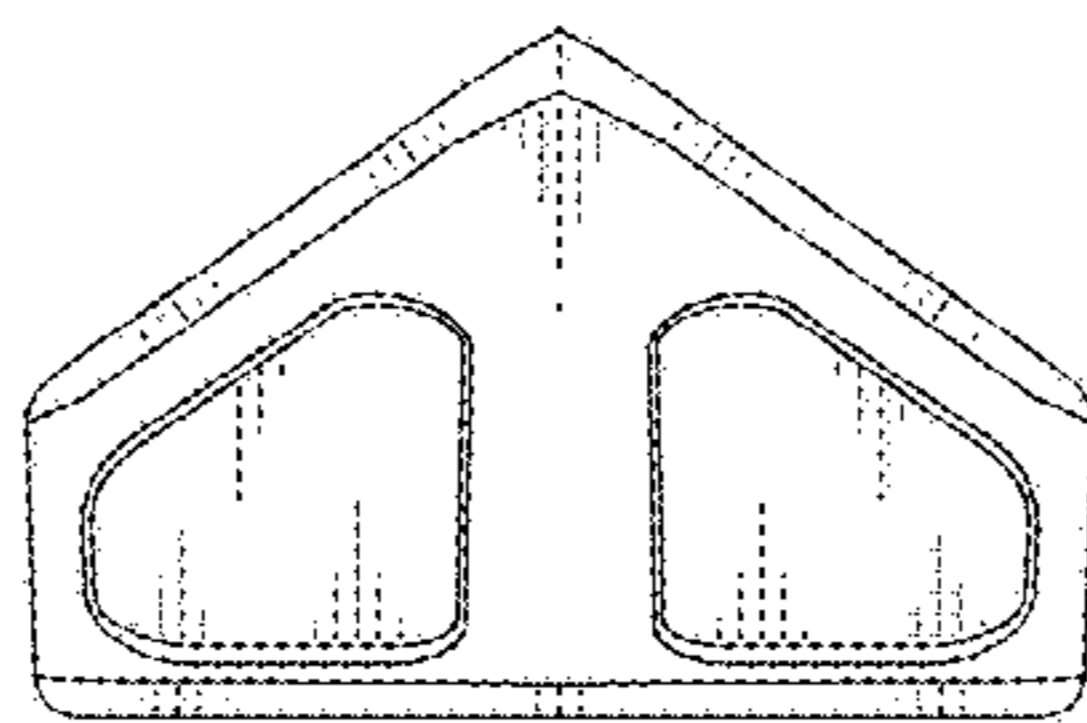


FIG. 6

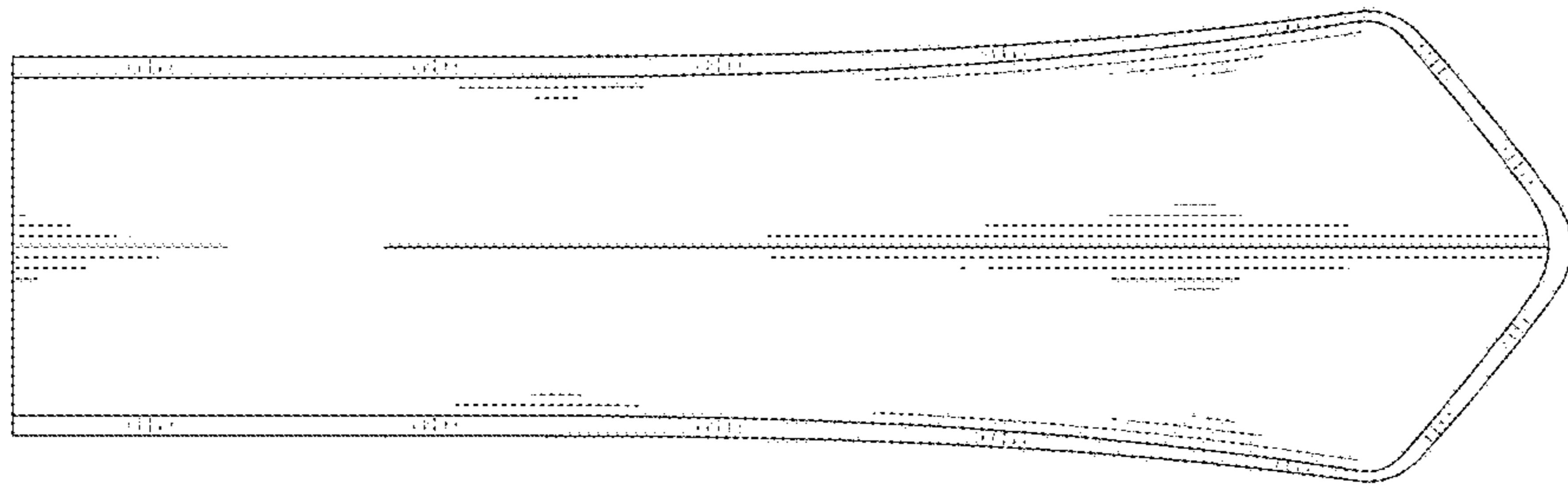


FIG. 7

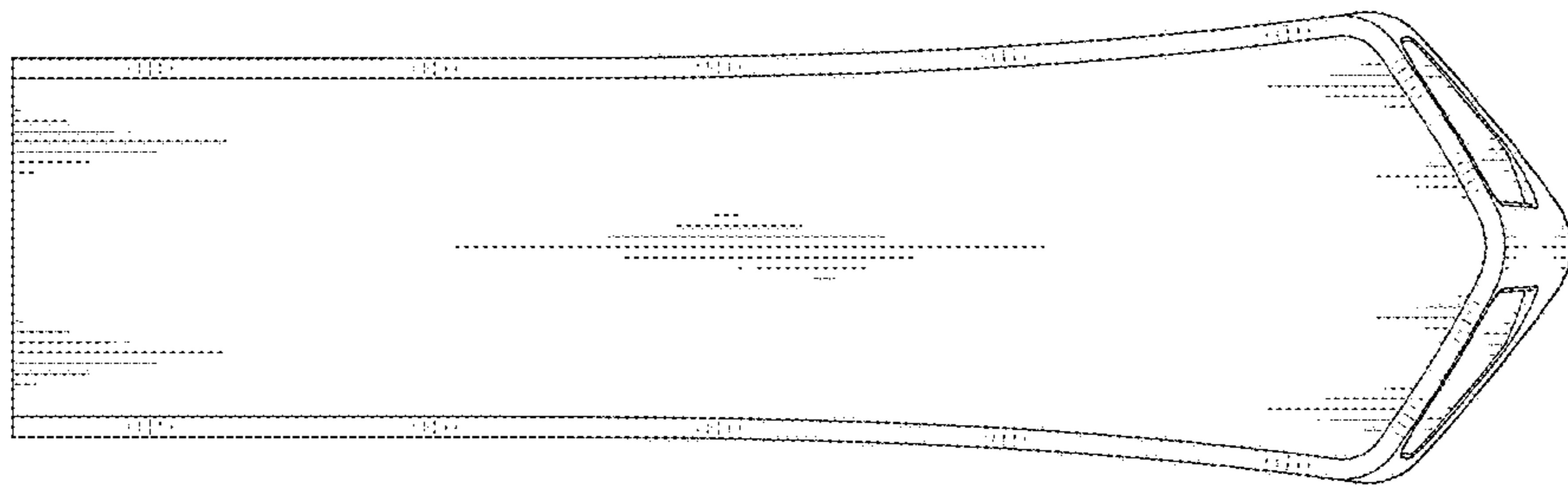


FIG. 8

