



US00D864975S

(12) **United States Design Patent** (10) **Patent No.:** **US D864,975 S**
Shim (45) **Date of Patent:** **** Oct. 29, 2019**

(54) **USB MEMORY**

(71) Applicant: **SAMSUNG ELECTRONICS CO., LTD.**, Suwon-si (KR)

(72) Inventor: **Shady Shim**, Seoul (KR)

(73) Assignee: **SAMSUNG ELECTRONICS CO., LTD.**, Suwon-si (KR)

(**) Term: **15 Years**

(21) Appl. No.: **29/647,990**

(22) Filed: **May 17, 2018**

(30) **Foreign Application Priority Data**

Nov. 20, 2017 (KR) 30-2017-0054204

(51) **LOC (12) Cl.** **14-03**

(52) **U.S. Cl.**
USPC **D14/480.1**

(58) **Field of Classification Search**
USPC D14/480.1–480.7, 435.1, 411, 433, 436,
D14/484.1, 137, 155, 203.1–203.8, 240,
D14/242; D13/133, 154; D21/325, 329
CPC H05K 5/0278; G06K 19/07732
See application file for complete search history.

(56) **References Cited**

U.S. PATENT DOCUMENTS

D611,946 S *	3/2010	Wisniewski	D14/480.5
D648,730 S *	11/2011	Huang	D14/480.5
D759,027 S *	6/2016	Magi	D14/480.1
D759,028 S *	6/2016	Emami	D14/480.1
D771,059 S *	11/2016	Shim	D14/480.5
D771,632 S *	11/2016	Shim	D14/435.1
D771,636 S *	11/2016	Shim	D14/480.1
D780,183 S *	2/2017	Ferguson et al.	
D785,001 S *	4/2017	Shim	D14/480.1

D798,877 S *	10/2017	Huang	D14/480.1
D806,089 S *	12/2017	Shim	D14/480.5
D831,669 S *	10/2018	Shim	D14/480.5
D831,670 S *	10/2018	Shim	D14/480.5
D842,308 S *	3/2019	Shim	D14/480.5

FOREIGN PATENT DOCUMENTS

EM	003355825-0002	8/2016
KR	30-0683747 S	3/2013
KR	30-0837846 S	2/2016
KR	30-0837847 S	2/2016

(Continued)

OTHER PUBLICATIONS

Known Prior Art 1: SDCZ71-016G-B35, Sandisk, <https://itbox.pro/catalog/item/227284/>, 1 page.

(Continued)

Primary Examiner — Angela J Lee

(74) *Attorney, Agent, or Firm* — Sughrue Mion, PLLC

(57) **CLAIM**

The ornamental design for a USB memory, as shown and described.

DESCRIPTION

FIG. 1 is a perspective view of the USB memory showing our new design.

FIG. 2 is a front elevation view thereof.

FIG. 3 is a rear elevation view thereof.

FIG. 4 is a left side elevation view thereof.

FIG. 5 is a right side elevation view thereof.

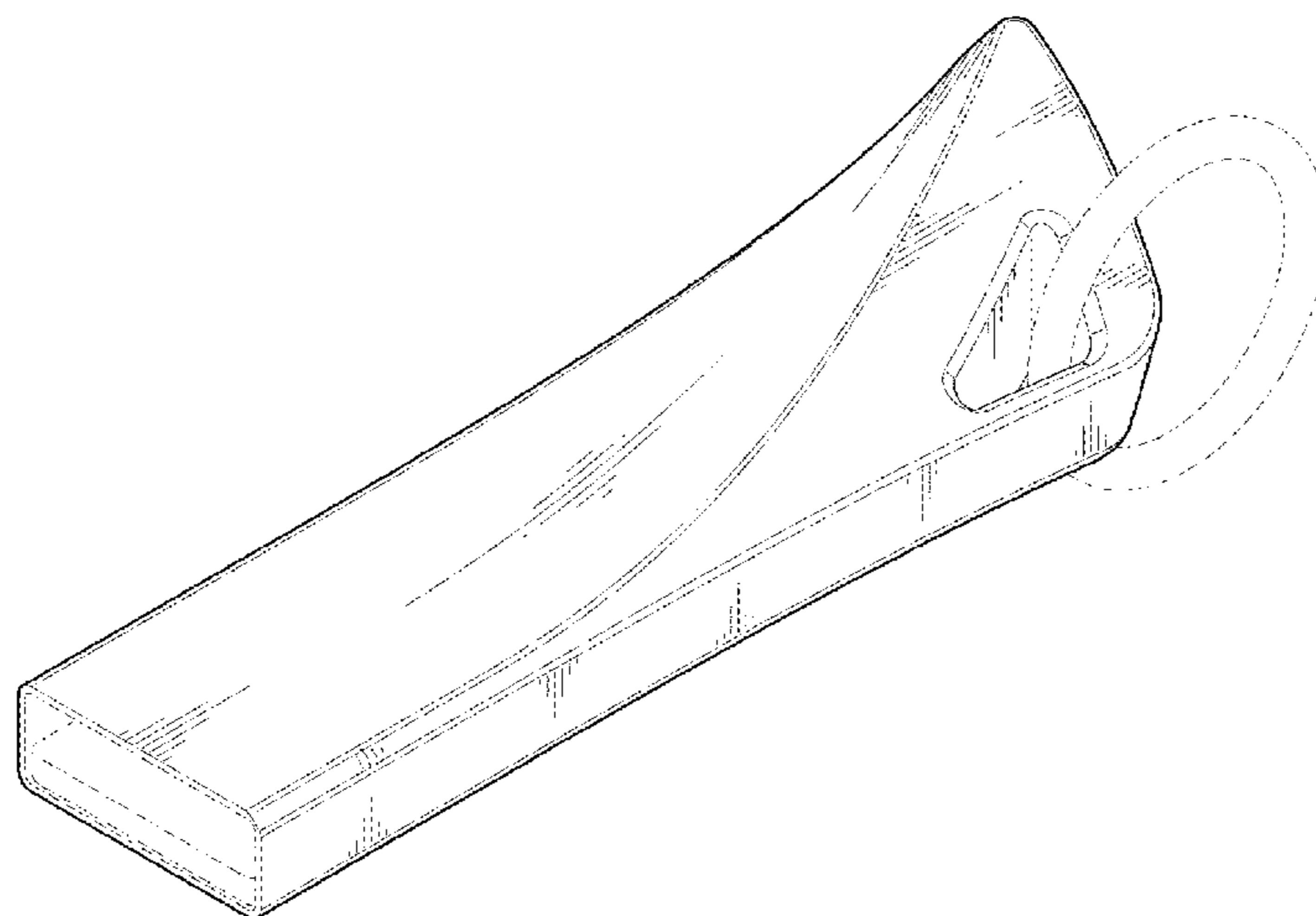
FIG. 6 is a top plan view thereof.

FIG. 7 is a bottom plan view thereof; and,

FIG. 8 is a perspective view of the USB memory shown in an example environment.

The broken lines are for environmental purposes only and form no part of the claimed design.

1 Claim, 5 Drawing Sheets



(56)

References Cited

FOREIGN PATENT DOCUMENTS

KR 30-0851100 S 4/2016

OTHER PUBLICATIONS

Known Prior Art 2: USB, Sandisk, <https://www.pccomponentes.com/sandisk-cruzer-ultra-256gb-usb-30> , 1 page.

Known Prior Art 3: USB, Wellendorff, https://ko.aliexpress.com/item/Hot-Sale-USB-Flash-Drive-4G-8G-16G-32G-64G-USB-Stick-Dolphins-Cute-Model-Promotion/32734840957.html?src=ibdm_d03p0558e02r02, 1 page.

Known Prior Art 4: USB, Wellendorff, https://ko.aliexpress.com/item/MICRODRIVE-Hot-Sale-USB-Flash-Drive-4GB-8GB-16GB-32GB-High-Speed-Pen-Drive-Metal-Pendrive/32813270082.html?src=ibdm_d03p0558e02r02, 1 page.

Communication dated Sep. 20, 2018, from the Taiwanese Patent Office in counterpart application No. 107302781.

* cited by examiner

FIG. 1

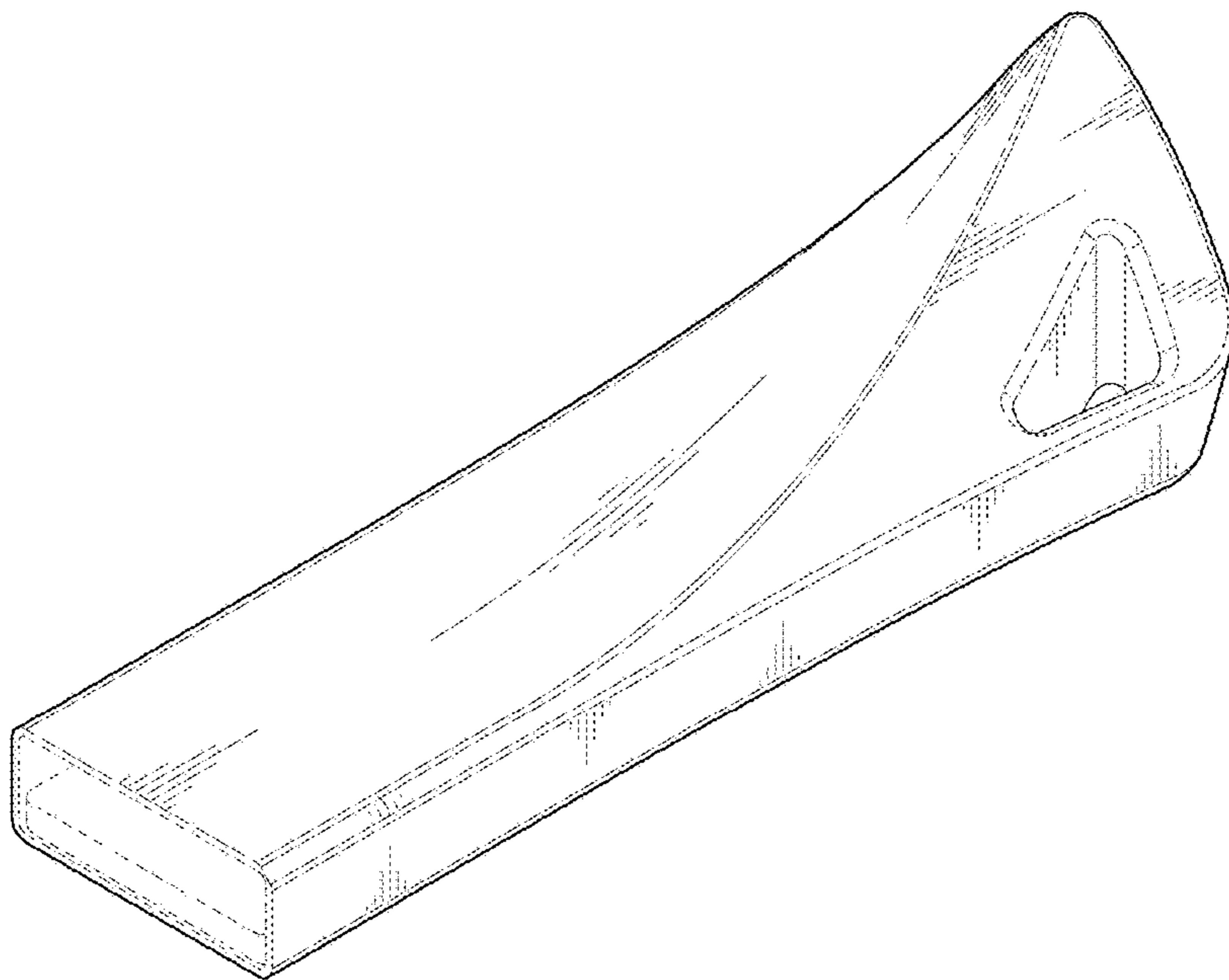


FIG. 2

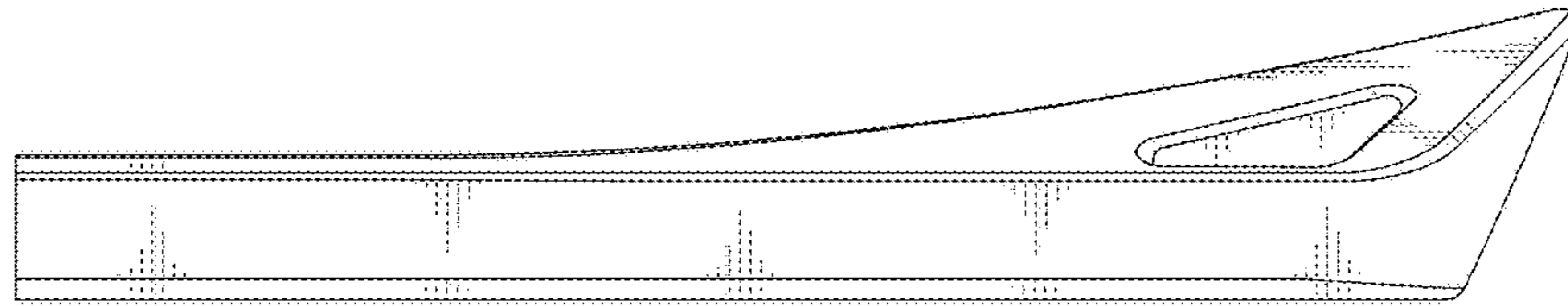


FIG. 3

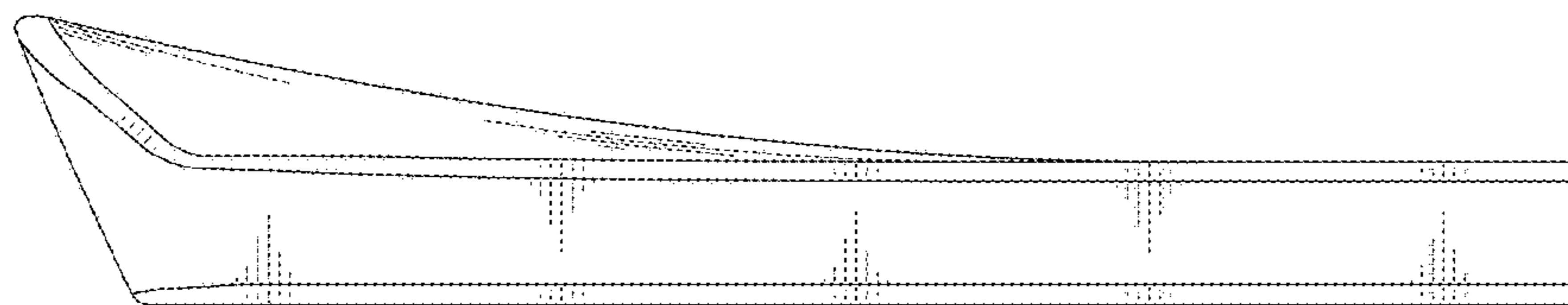


FIG. 4

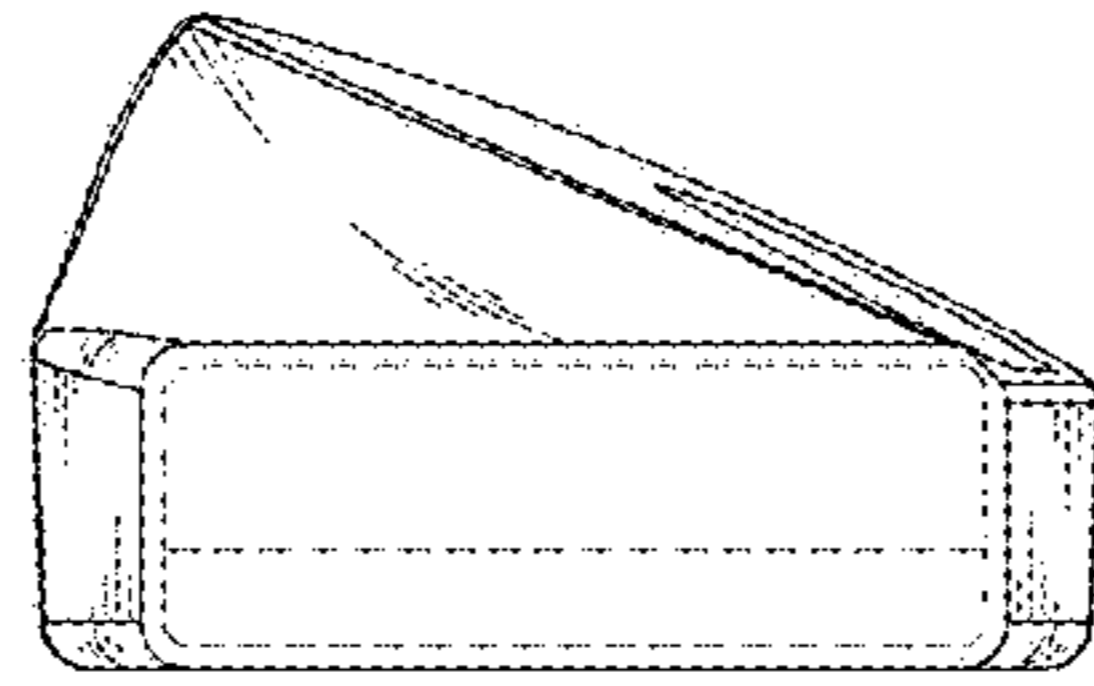


FIG. 5

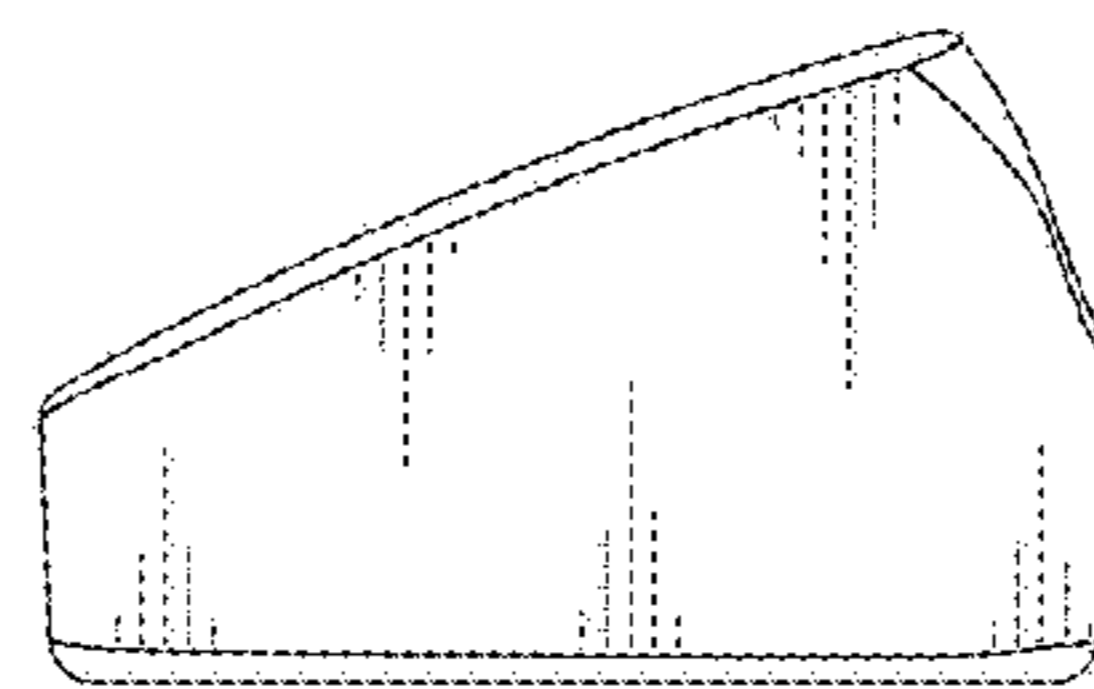


FIG. 6

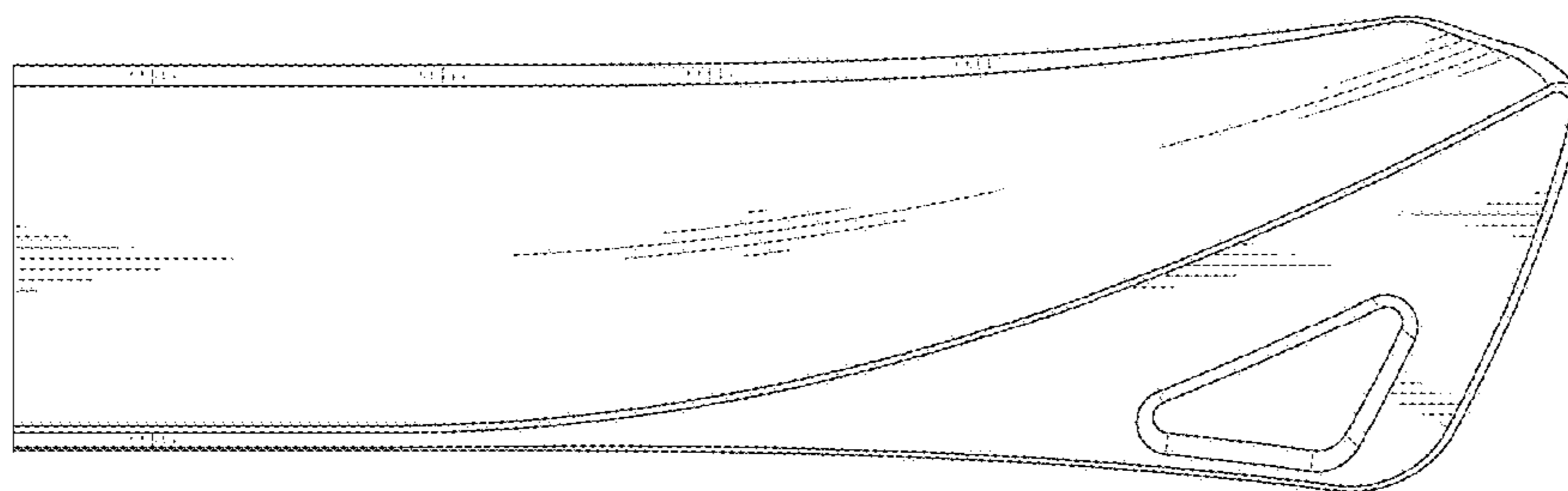


FIG. 7

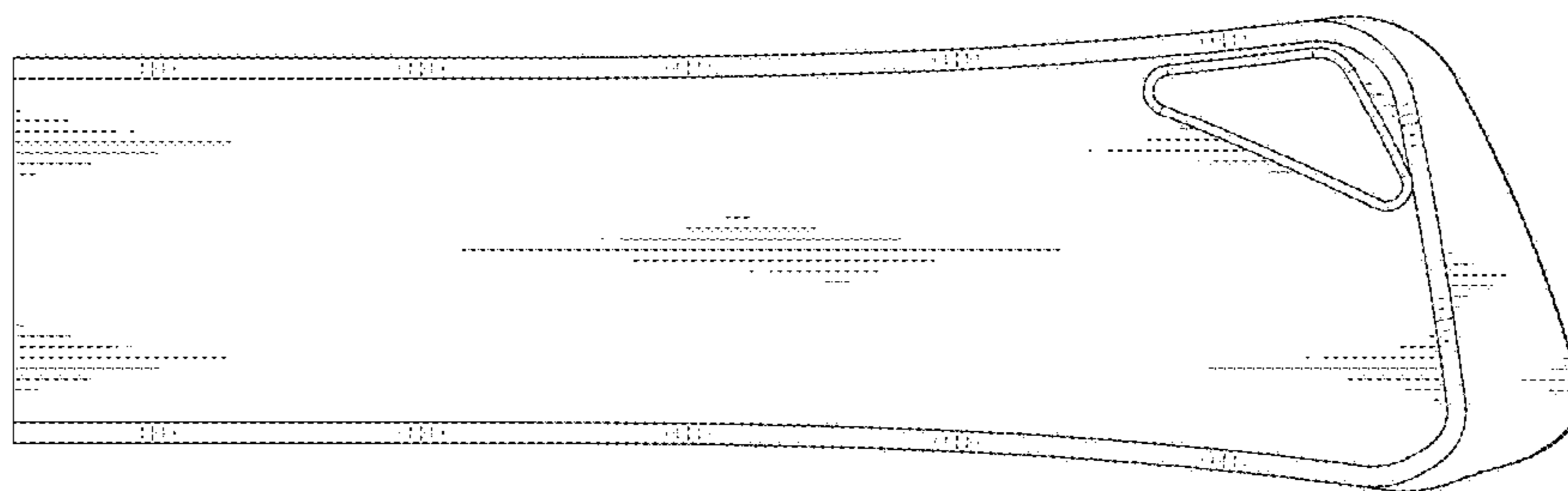


FIG. 8

