

US00D864974S

(12) **United States Design Patent** (10) **Patent No.:** **US D864,974 S**  
**Groiss** (45) **Date of Patent:** **\*\* Oct. 29, 2019**

(54) **TABLET STAND**  
(71) Applicant: **SES-imagotag GmbH**, Graz (AT)  
(72) Inventor: **Peter Groiss**, Laakirchen (AT)  
(73) Assignee: **SES-imagotag GmbH**, Fernitz-Mellach (AT)  
(\*\*) Term: **15 Years**  
(21) Appl. No.: **29/624,925**  
(22) Filed: **Nov. 6, 2017**  
(51) **LOC (12) Cl.** ..... **08-07**  
(52) **U.S. Cl.**  
USPC ..... **D14/447**  
(58) **Field of Classification Search**  
USPC ..... D14/447, 432, 434, 439, 440, 451, 452,  
D14/457, 239; D8/363, 373, 380;  
D6/406.3, 406.4, 406.5, 406.6; D12/415  
CPC ..... A47B 21/04; A47B 2097/006; A47B  
2097/005; A47B 2023/049; A45C  
2011/002; A45C 2011/003; F16M  
2200/00; F16M 13/00  
See application file for complete search history.

D820,830 S \* 6/2018 Lee ..... D14/341  
D829,725 S \* 10/2018 Luo ..... D14/447  
D833,447 S \* 11/2018 Zhang ..... D14/447  
D833,448 S \* 11/2018 Kilkenny ..... D14/447

\* cited by examiner

*Primary Examiner* — Angela J Lee  
(74) *Attorney, Agent, or Firm* — Dennemeyer & Associates, LLC

(57) **CLAIM**

The ornamental design for a tablet stand, as shown and described.

**DESCRIPTION**

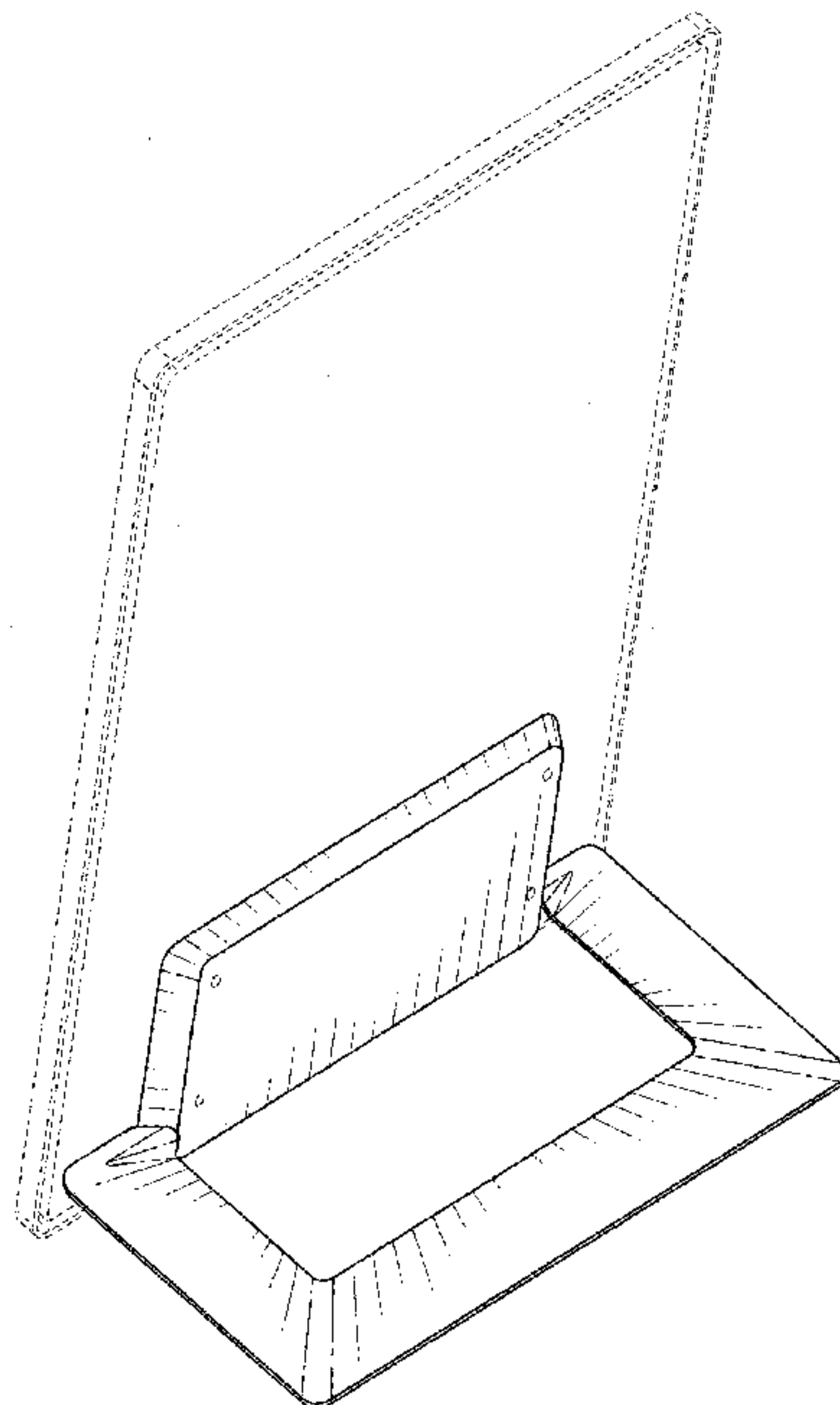
FIG. 1 is a perspective view of the tablet stand;  
FIG. 2 is a front side elevational view of the tablet stand, the rear side being unadorned;  
FIG. 3 is a right side elevational view of the tablet stand;  
FIG. 4 is a left side elevational view of the tablet stand;  
FIG. 5 is a bottom plan view of the tablet stand;  
FIG. 6 is a top plan view of the tablet stand;  
FIG. 7 is a perspective view of the tablet stand with the stand leg deployed;  
FIG. 8 is a front side elevational view of the tablet stand with the stand leg deployed, the rear side being unadorned;  
FIG. 9 is a right side elevational view of the tablet stand with the stand leg deployed;  
FIG. 10 is a left side elevational view of the tablet stand with the stand leg deployed;  
FIG. 11 is a bottom plan view of the tablet stand with the stand leg deployed; and,  
FIG. 12 is a top plan view of the tablet stand with the stand leg deployed.  
The phantom lines showing environment are for illustrative purposes only.

(56) **References Cited**

U.S. PATENT DOCUMENTS

D667,012 S \* 9/2012 Chen ..... D14/447  
D703,675 S \* 4/2014 Jensen ..... D14/447  
D705,785 S \* 5/2014 Wang ..... D14/447  
D749,559 S \* 2/2016 Senoff ..... D14/251  
D754,136 S \* 4/2016 Schoening ..... D14/447  
D760,724 S \* 7/2016 Kang ..... D14/447  
D767,575 S \* 9/2016 Green ..... D14/447  
D780,187 S \* 2/2017 Lee ..... D14/253  
D804,490 S \* 12/2017 Wei ..... D14/447

**1 Claim, 8 Drawing Sheets**



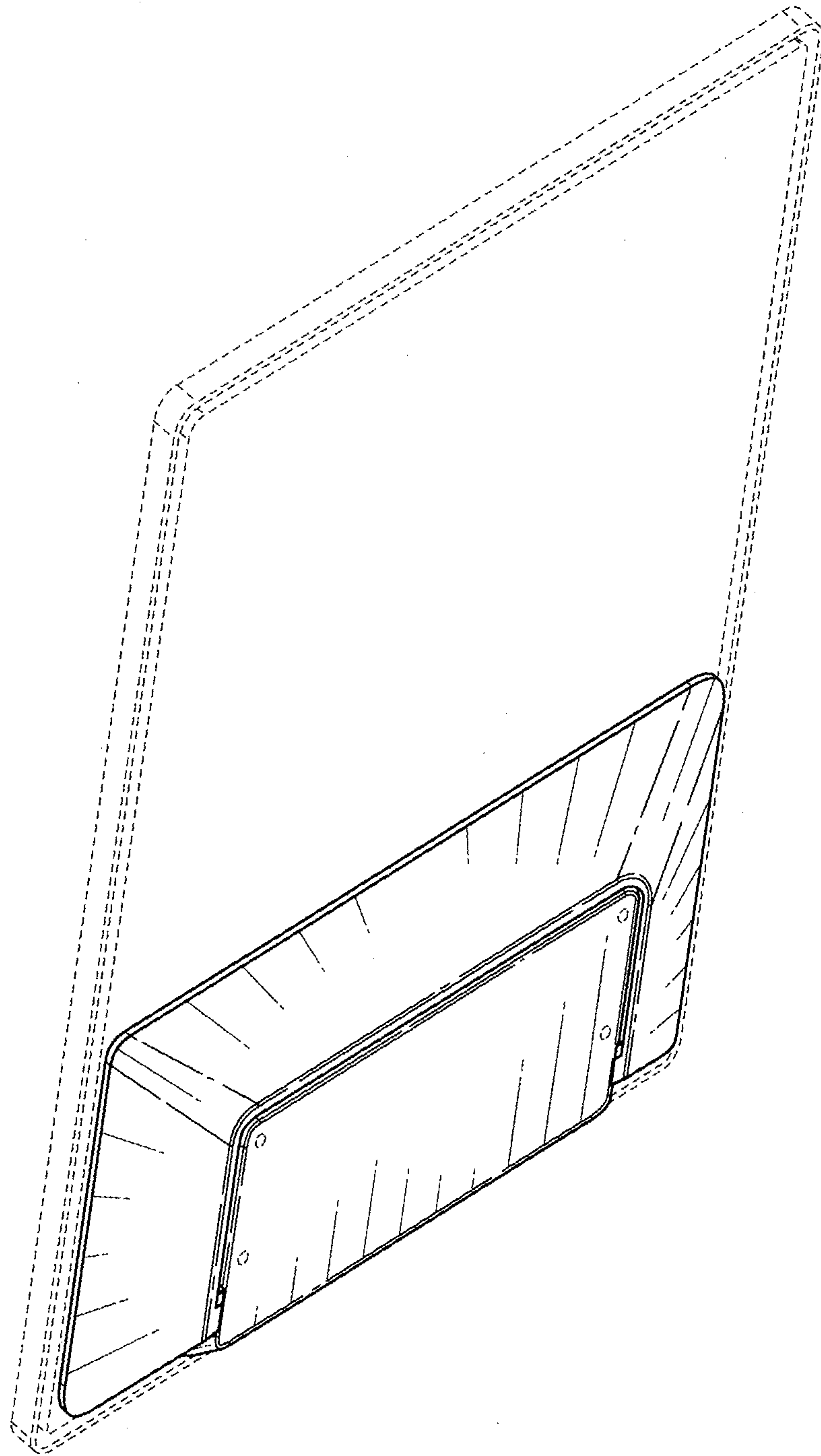


FIG. 1

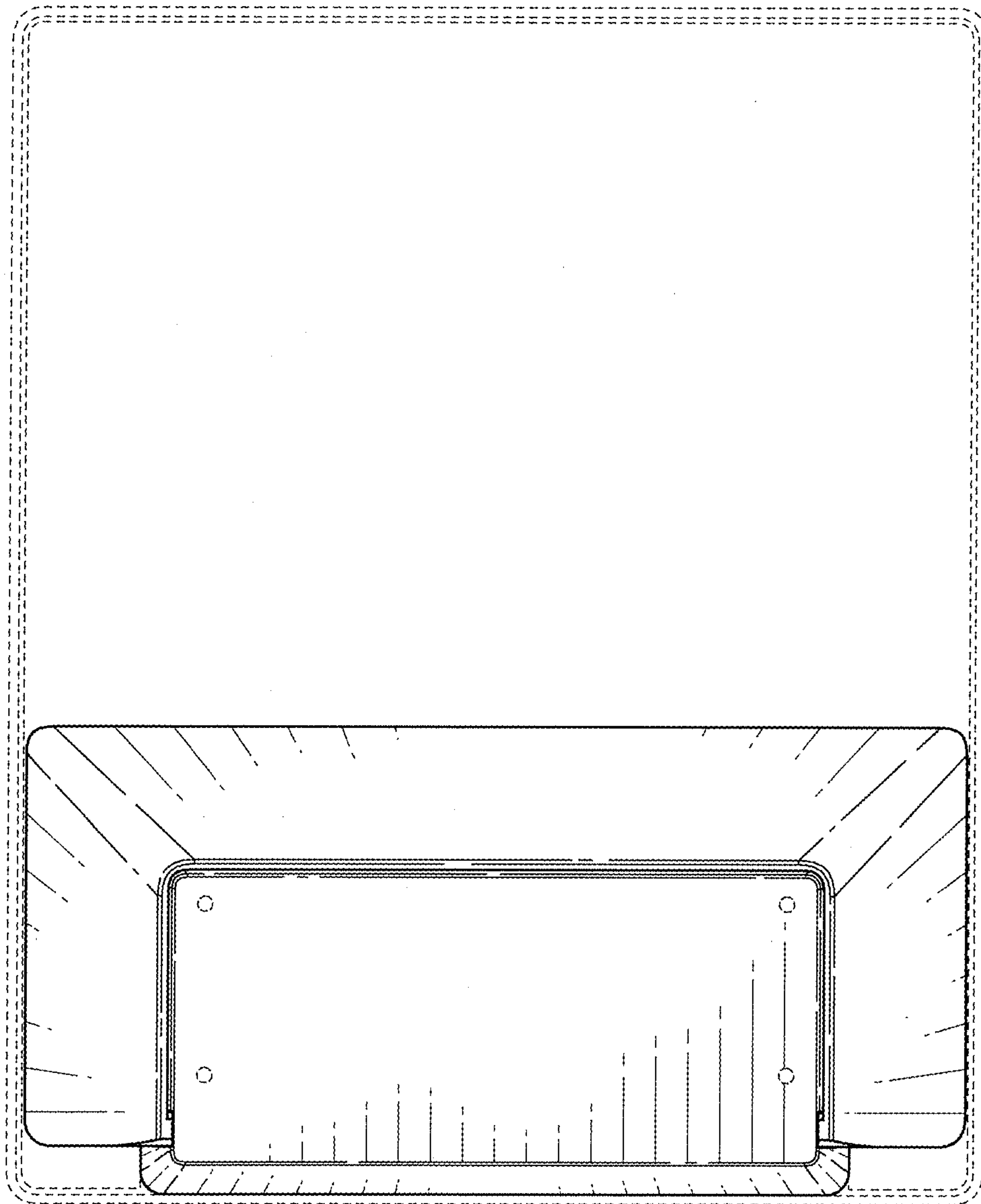


FIG. 2

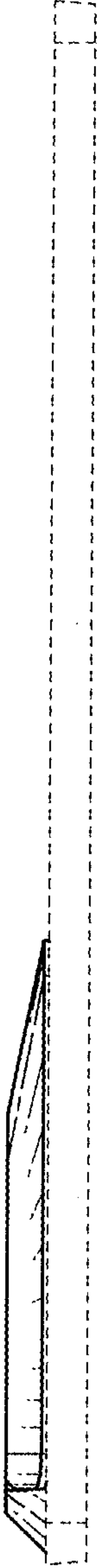


FIG. 3

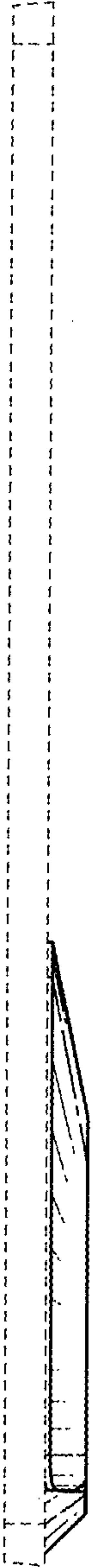


FIG. 4

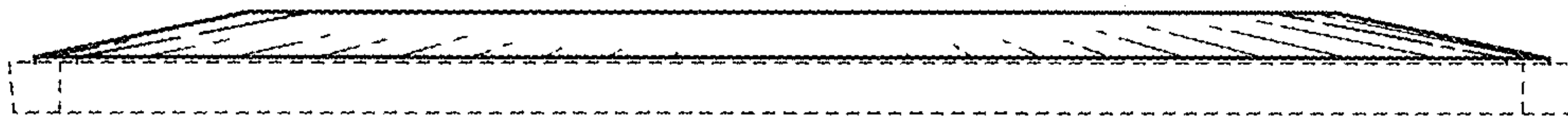


FIG. 5



FIG. 6

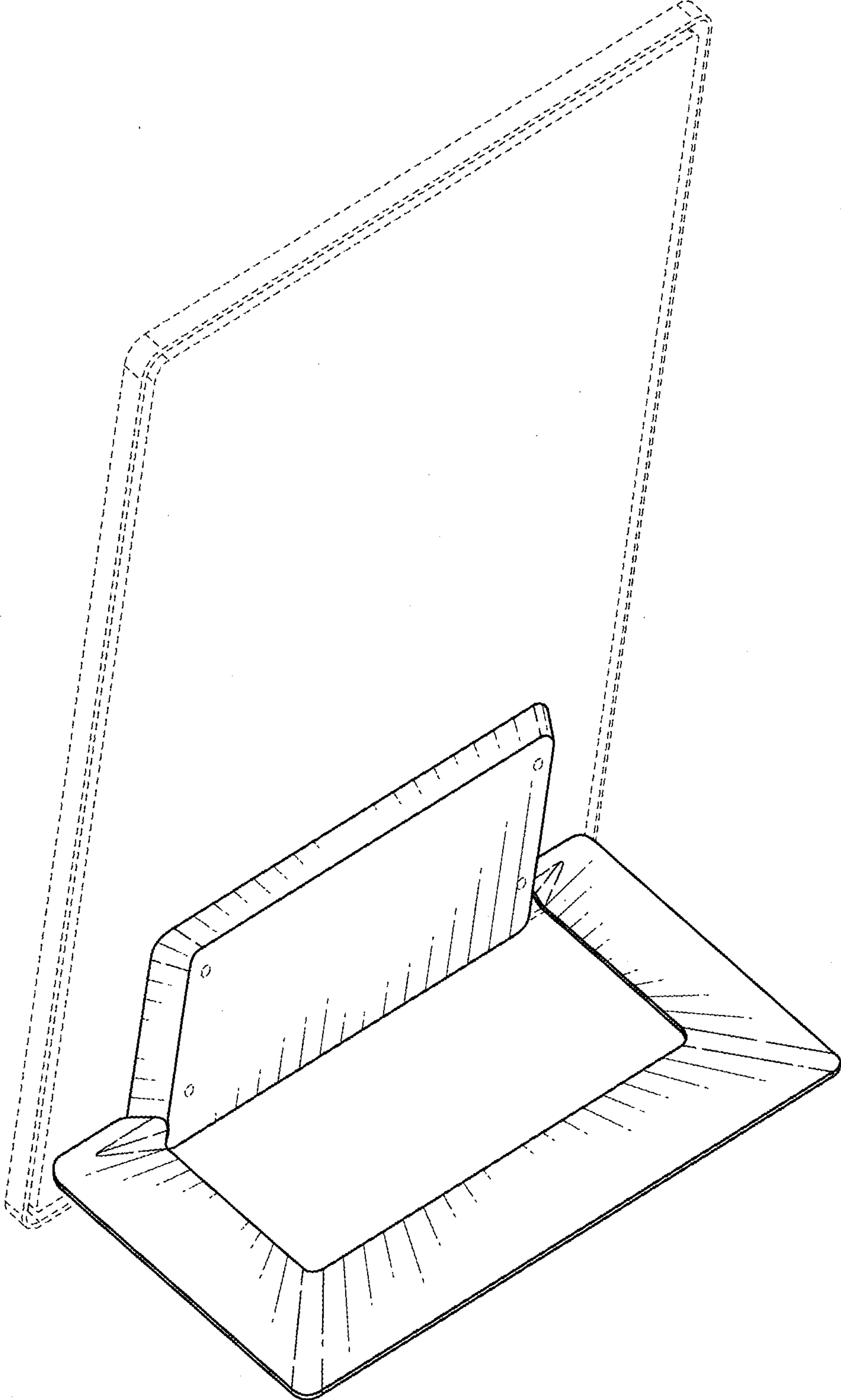


FIG. 7



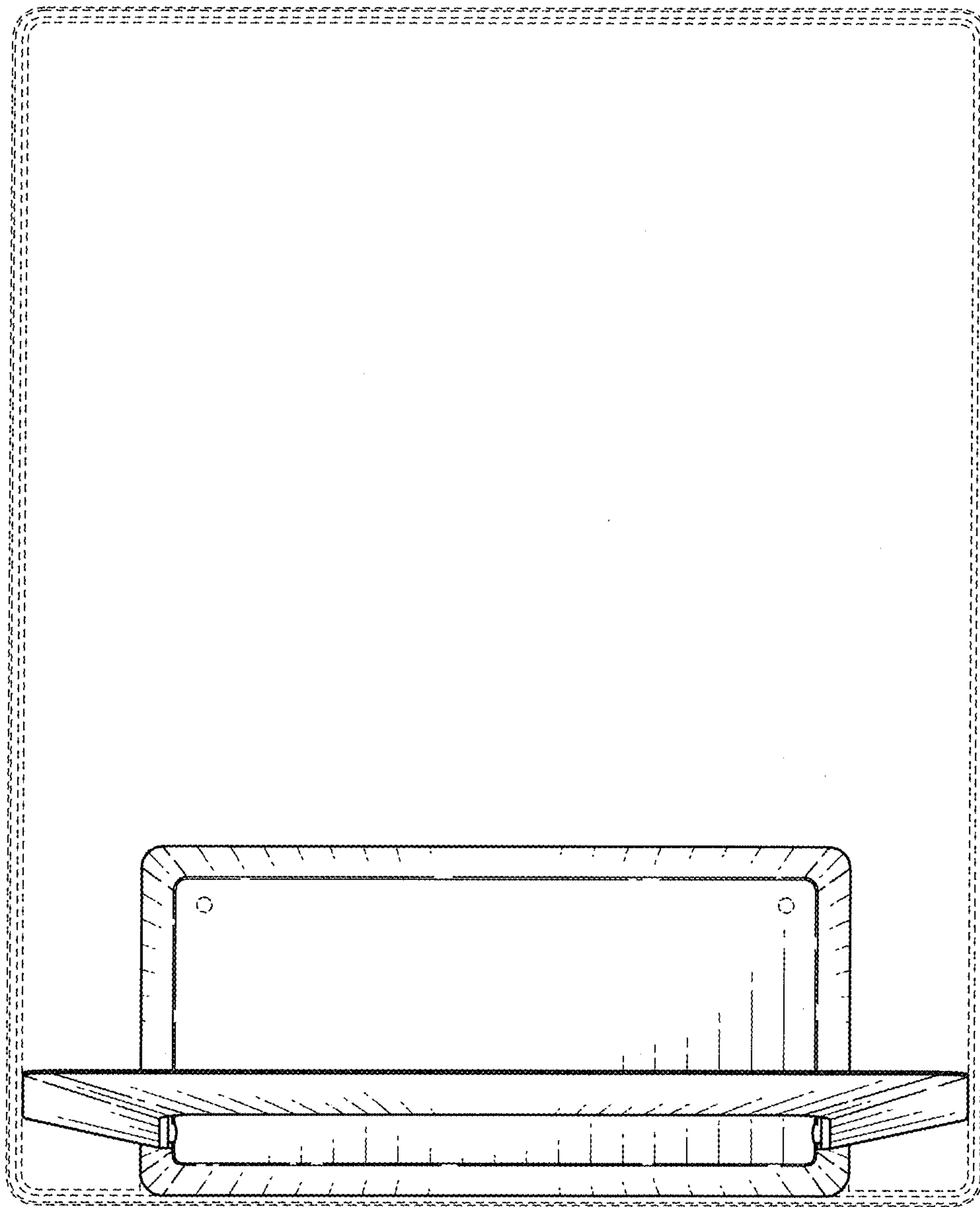


FIG. 8

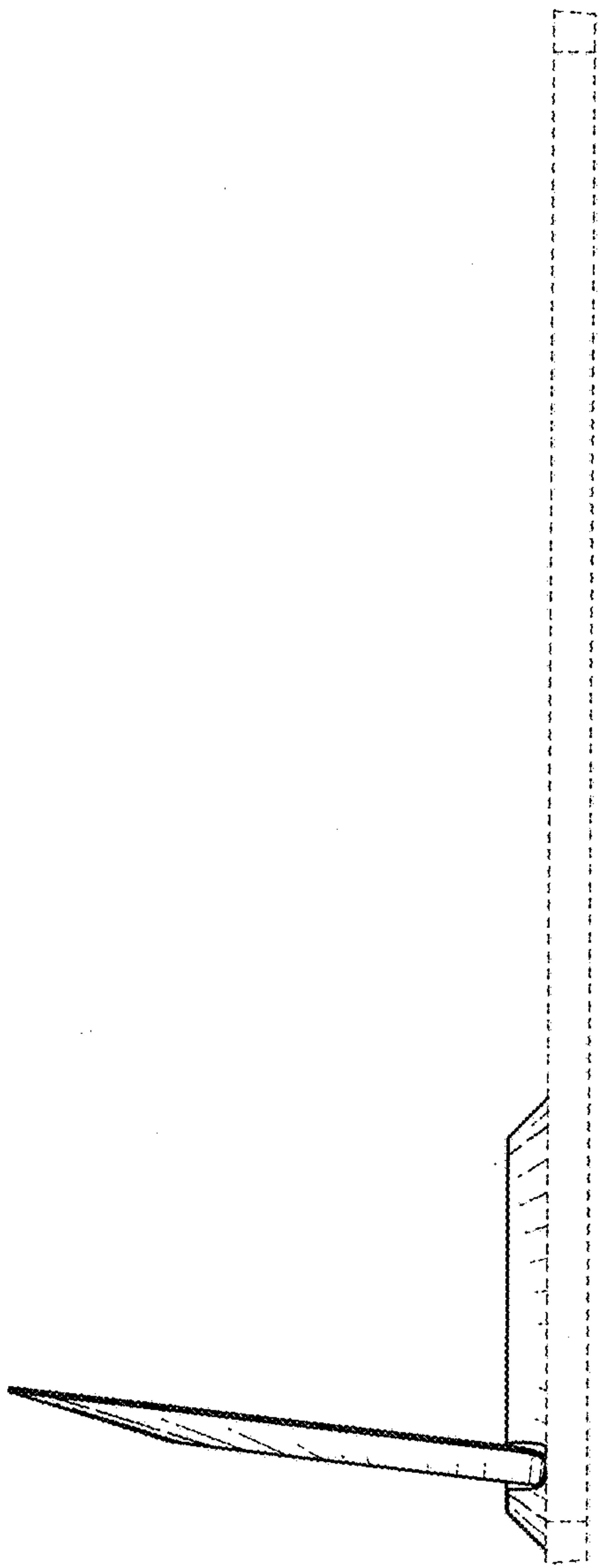


FIG. 9

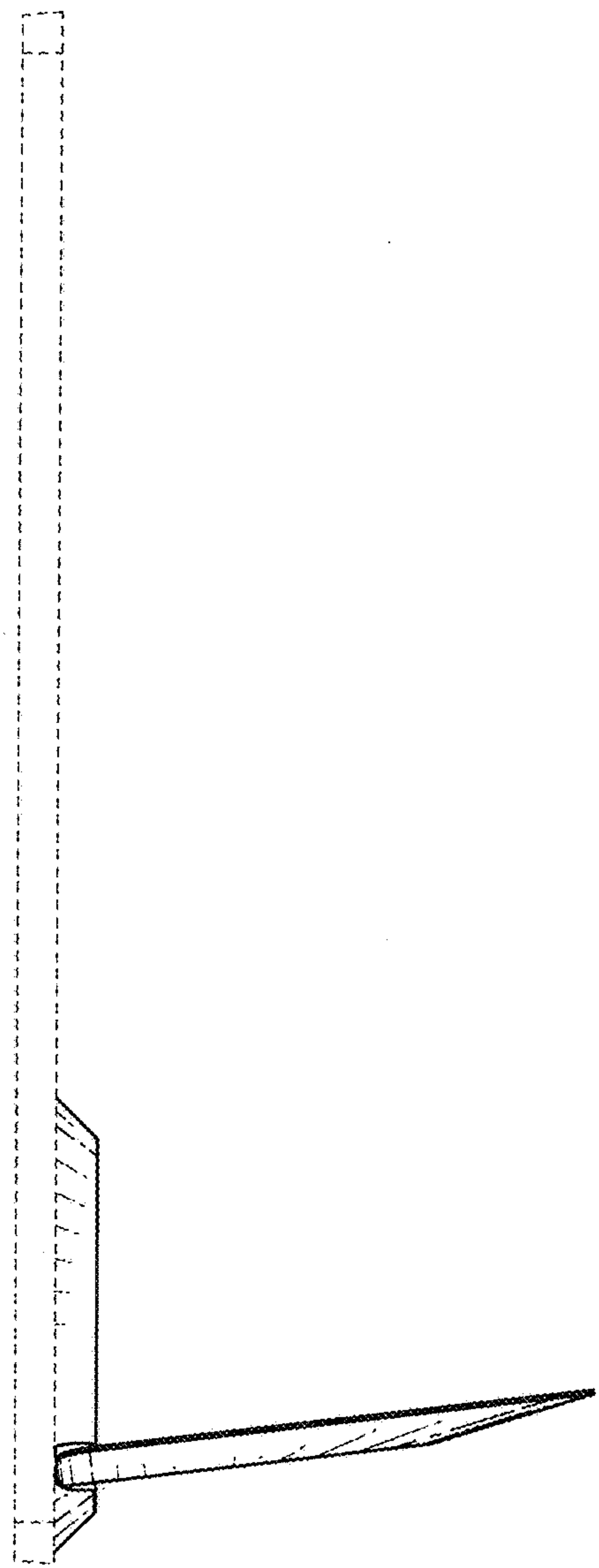


FIG. 10



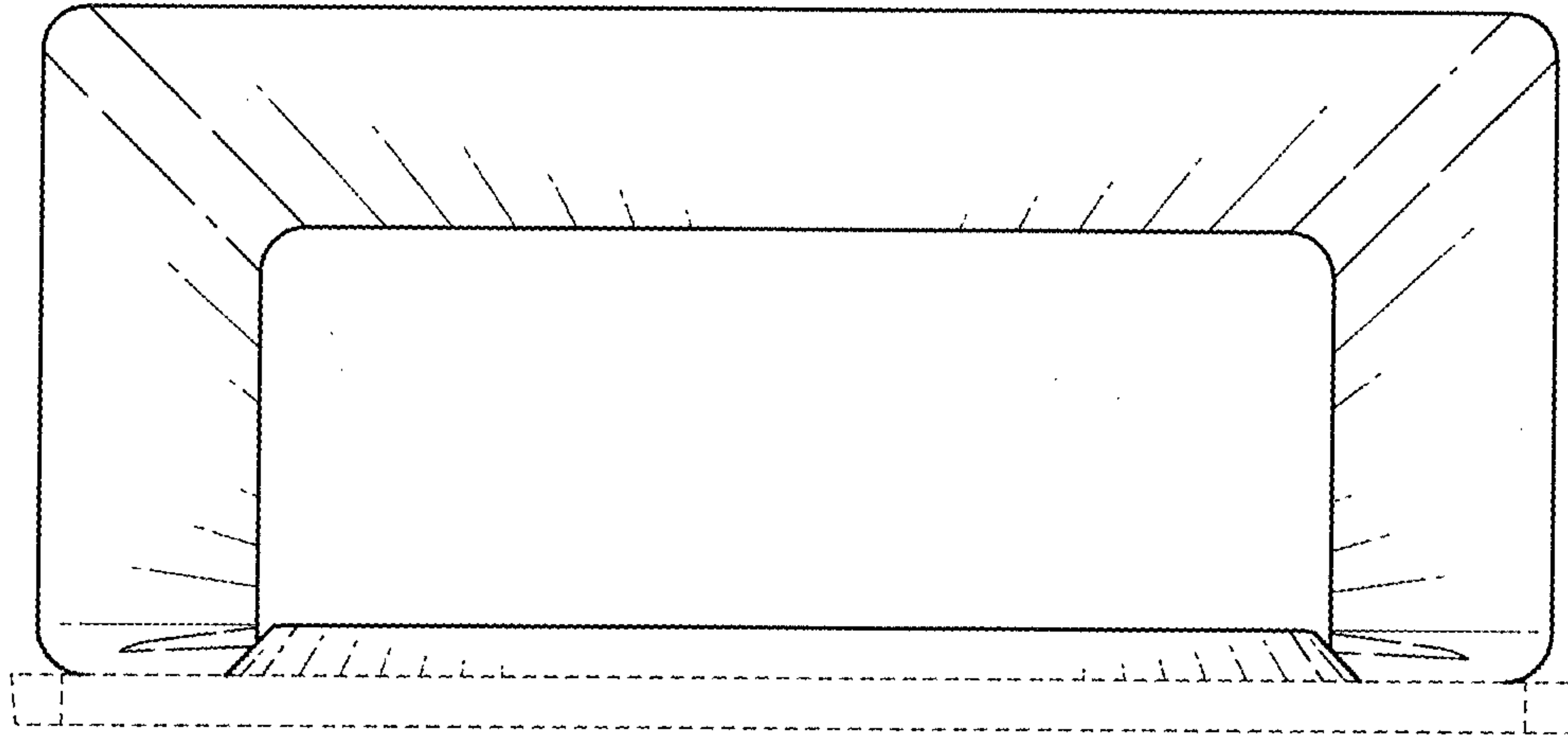


FIG. 11

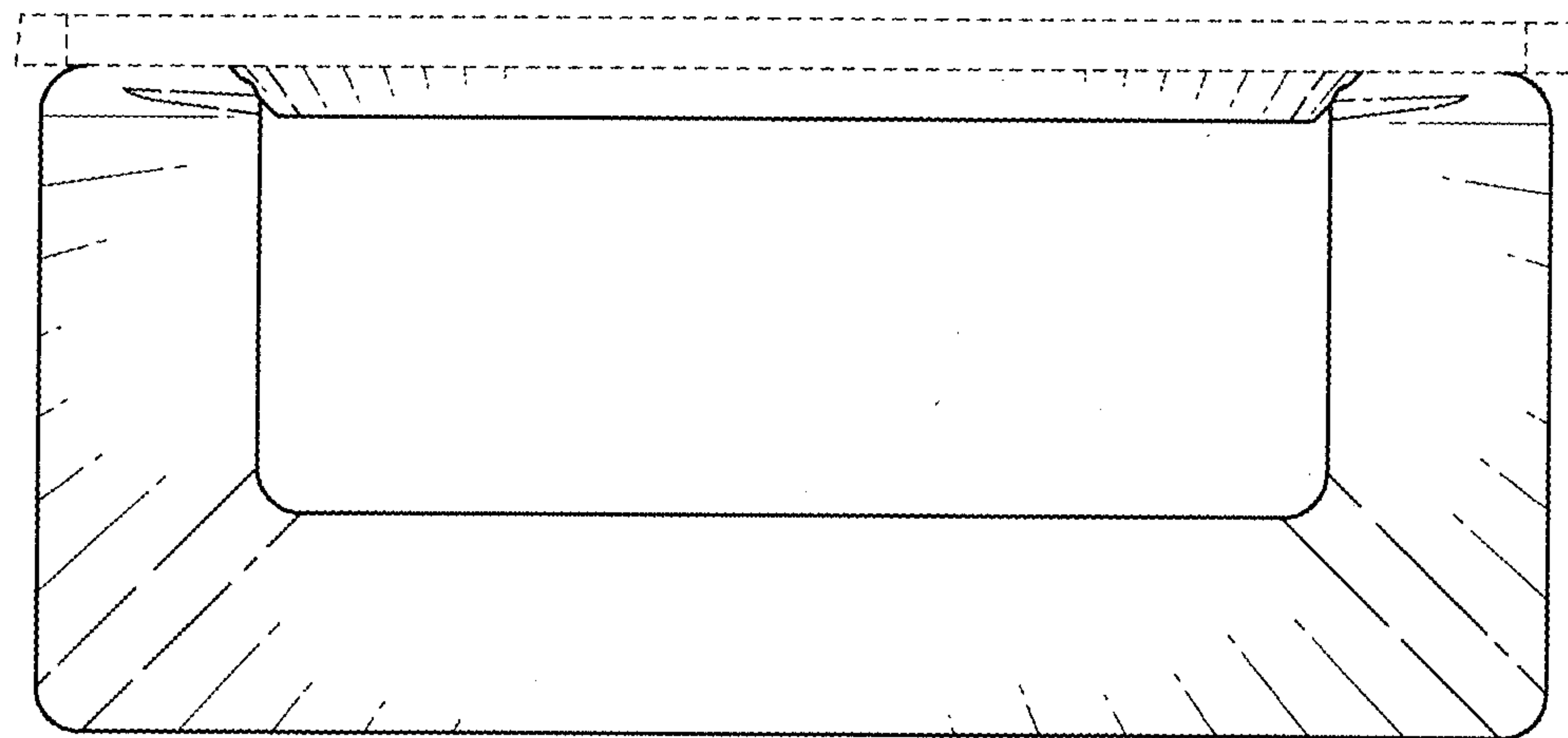


FIG. 12