



US00D864973S

(12) **United States Design Patent** (10) **Patent No.:** **US D864,973 S**
Minn et al. (45) **Date of Patent:** **** Oct. 29, 2019**

- (54) **CLAMPING ELEMENT OF A DASHBOARD VENT MOUNT FOR AN ELECTRONIC DEVICE**
- (71) Applicant: **Kenu, Inc.**, San Francisco, CA (US)
- (72) Inventors: **Kenneth Y. Minn**, San Francisco, CA (US); **David E. Yao**, San Francisco, CA (US)
- (73) Assignee: **Kenu, Inc.**, San Francisco, CA (US)
- (**) Term: **15 Years**
- (21) Appl. No.: **29/601,533**
- (22) Filed: **Apr. 24, 2017**

4,797,916 A	1/1989	Kojima
4,840,773 A	6/1989	Wade
5,109,411 A	4/1992	O'Connell
5,305,381 A	4/1994	Wang
5,338,252 A	8/1994	Bowler et al.
5,820,792 A	10/1998	Lin
5,979,724 A	11/1999	Lowenthal, Jr. et al.
6,103,201 A	8/2000	Green
6,254,065 B1	7/2001	Ehrensperger et al.
6,264,887 B1	7/2001	Farmer
6,366,672 B1	4/2002	Tsay
6,441,872 B1	8/2002	Ho
6,514,467 B1	2/2003	Bulsink et al.
D482,039 S	11/2003	Chen et al.
D485,340 S	1/2004	Wu
6,932,331 B1	8/2005	Fan
6,988,907 B2	1/2006	Chang
D521,990 S	5/2006	Richter
D522,843 S	6/2006	Richter
7,061,386 B2	6/2006	Seresini
7,080,812 B2	7/2006	Wadsworth
7,140,553 B2	11/2006	Zobebe
D538,912 S	3/2007	Kaplan
D538,913 S	3/2007	Kaplan
7,272,984 B2	9/2007	Fan
7,284,737 B2	10/2007	Kane
D561,345 S	2/2008	Flick
D566,590 S	4/2008	Stevens et al.
7,389,943 B2	6/2008	Jaworski
D589,962 S	4/2009	Maruyama et al.
7,537,190 B2	5/2009	Fan
7,584,393 B2	9/2009	Kamada et al.
7,621,511 B2	11/2009	Hayes-Pankhurst et al.
D611,478 S	3/2010	Richardson et al.
D614,613 S	4/2010	Kim et al.
D626,541 S	11/2010	Kim et al.
D630,222 S	1/2011	Lin
D633,040 S	2/2011	Le et al.
D643,407 S	8/2011	Behringer et al.
D645,033 S	9/2011	Quong et al.
D655,692 S	3/2012	Silverman et al.
D656,931 S	4/2012	Wikel
D656,940 S	4/2012	McClelland et al.
D657,356 S	4/2012	Wikel
D657,364 S	4/2012	Norman
D663,726 S	7/2012	Gourley
D663,735 S	7/2012	Musselman
D664,147 S	7/2012	Zhao et al.
D670,295 S	11/2012	Prescott et al.
D671,950 S	12/2012	Richter
D689,041 S	9/2013	Hampf
D690,707 S	10/2013	Minn et al.
D692,897 S	11/2013	Luijben

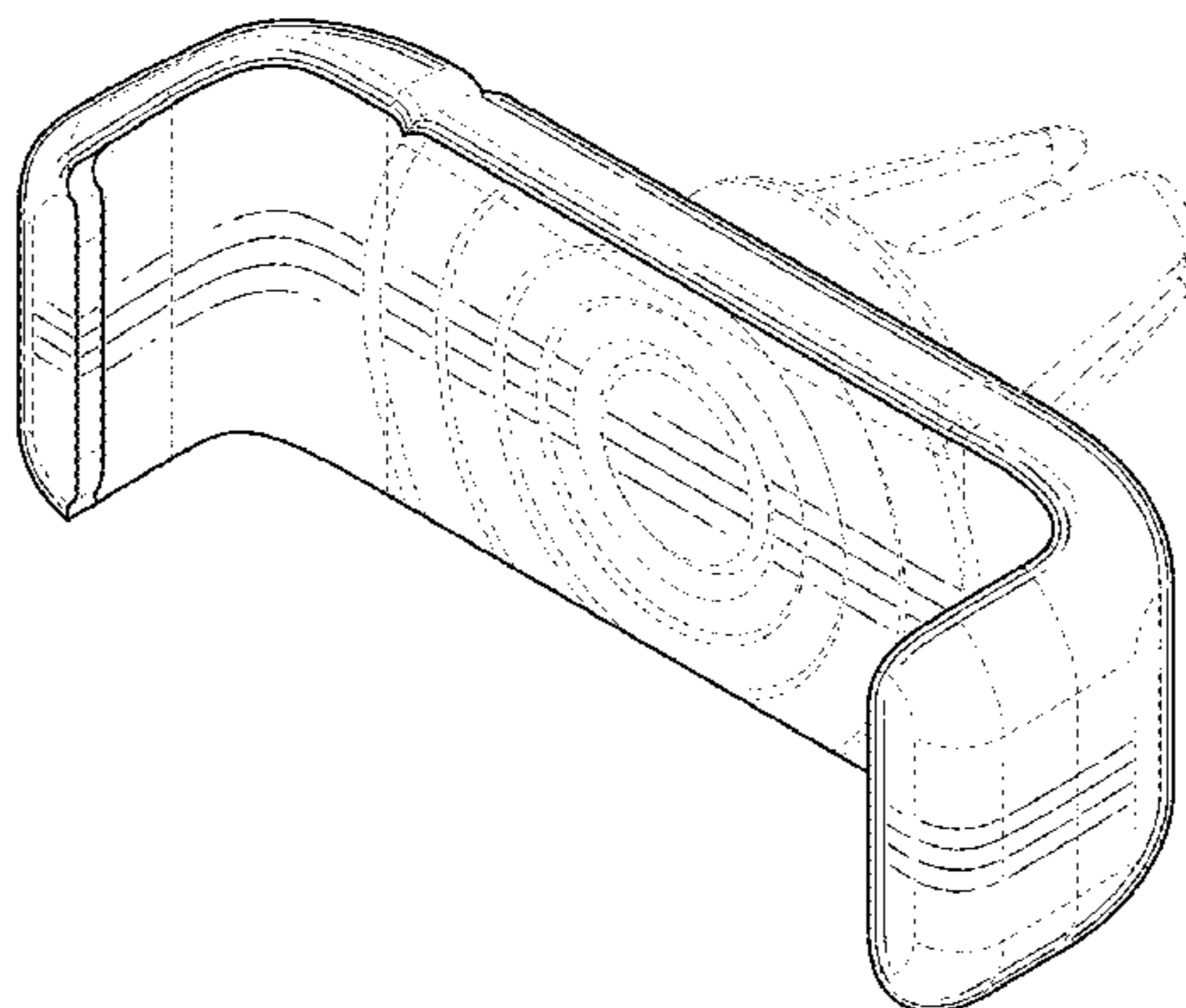
Related U.S. Application Data

- (60) Division of application No. 14/736,090, filed on Jun. 10, 2015, now Pat. No. 9,718,412, which is a continuation of application No. 13/897,062, filed on May 17, 2013, now Pat. No. 9,080,714, which is a continuation-in-part of application No. 29/437,793, filed on Nov. 20, 2012, now Pat. No. Des. 690,707.
- (51) **LOC (12) Cl.** **08-07**
- (52) **U.S. Cl.**
USPC **D14/447**
- (58) **Field of Classification Search**
USPC D14/447, 432, 434, 439, 440, 451, 452, D14/457, 239, 251, 253; D8/363, 373, D8/380; D6/406.3, 406.4, 406.5, 406.6; D12/415
CPC A47B 21/04; A47B 2097/006; A47B 2097/005; A47B 2023/049; A45C 2011/002; A45C 2011/003; F16M 2200/00; F16M 13/00
See application file for complete search history.

(56) **References Cited**

U.S. PATENT DOCUMENTS

- 2,580,625 A 1/1952 Waltz
- 4,523,870 A 6/1985 Spector



US D864,973 S

8,727,192	B2	5/2014	Lai	
8,757,461	B2	6/2014	Zanetti	
D708,603	S	7/2014	Kim et al.	
D709,074	S	7/2014	Tsui et al.	
D713,398	S	9/2014	Alesi et al.	
D715,790	S	10/2014	Conomos et al.	
D715,791	S	10/2014	Yu	
D716,788	S	11/2014	Volkan	
D717,289	S	11/2014	Takabatake	
D718,298	S	11/2014	Aspinall et al.	
D720,759	S	1/2015	Deng et al.	
D723,311	S	3/2015	Jian et al.	
D724,072	S	3/2015	Jiang et al.	
D726,175	S	4/2015	Tsai et al.	
D733,115	S *	6/2015	Aspinall	D14/253
D733,116	S	6/2015	Apinall et al.	
D733,548	S	7/2015	Brown et al.	
D735,112	S	7/2015	Deng et al.	
9,080,714	B2	7/2015	Minn et al.	
9,123,935	B2	9/2015	Huang	
D750,612	S	3/2016	Chen	
D750,633	S	3/2016	Minn et al.	
D757,705	S *	5/2016	Esses	D14/251
D765,646	S	9/2016	Deng et al.	
D765,651	S	9/2016	Liu et al.	
D767,556	S *	9/2016	Lee	D12/415
D768,125	S *	10/2016	Kim	D14/253
D778,714	S	2/2017	McSweyn et al.	
D780,168	S *	2/2017	Du	D14/253
D782,462	S	3/2017	Huang	
9,586,530	B2	3/2017	Kim	
D783,592	S	4/2017	Ju	
D783,593	S	4/2017	Chen	
D789,920	S	6/2017	Zhang	
9,718,412	B2	8/2017	Minn et al.	
D796,421	S *	9/2017	Huang	D12/415
D799,466	S *	10/2017	Sukphist	D14/253
D802,404	S	11/2017	Turksu et al.	
D807,339	S	1/2018	Lan	
D820,247	S	6/2018	Ahn	
D823,846	S *	7/2018	Chen	D14/251
D826,225	S *	8/2018	Chen	D14/253
D831,660	S *	10/2018	Yao	D14/447
D831,665	S *	10/2018	Yao	D14/447
10,122,400	B2	11/2018	Tiller et al.	
2003/0175172	A1	9/2003	Altmann	
2004/0175312	A1	9/2004	Linden-Douw	
2004/0247301	A1	12/2004	Yip et al.	
2005/0127538	A1	6/2005	Fabrega	
2005/0236541	A1	10/2005	Chang	
2007/0001025	A1	1/2007	Caserta et al.	
2007/0075159	A1	4/2007	Lin	
2007/0284500	A1	12/2007	Fan	
2008/0190978	A1	8/2008	Brassard	
2008/0224007	A1	9/2008	Mo	
2009/0060473	A1	3/2009	Kohte et al.	
2010/0019059	A1	1/2010	Bulsink et al.	
2010/0187327	A1	7/2010	Irvin	
2011/0019992	A1	1/2011	Orf	
2011/0143583	A1	6/2011	Zilmer et al.	
2011/0148352	A1	6/2011	Wang et al.	
2011/0278885	A1	11/2011	Procter et al.	
2012/0205503	A1	8/2012	Kobal	
2012/0257346	A1	10/2012	Hulet	
2013/0037590	A1	2/2013	Yoon	
2014/0097306	A1	4/2014	Hale et al.	
2014/0103087	A1	4/2014	Fan	
2014/0138419	A1	5/2014	Minn et al.	
2015/0072555	A1	3/2015	Riddiford et al.	
2016/0318455	A1	11/2016	Zhang et al.	
2016/0373152	A1	12/2016	Schmidt	
2017/0035172	A1	2/2017	Kim	
2018/0043840	A1 *	2/2018	Minn	B60R 11/02

FOREIGN PATENT DOCUMENTS

CN	301670390	9/2011
CN	202907016 U	4/2013
DE	202004007340 U1	7/2004

DE	202008010276 U1	11/2008
EP	1031446 A1	8/2000
EP	1902736 A1	3/2008
EP	2835957	4/2015
JP	2003054304 A	2/2003
JP	3151546 U	6/2009
JP	3164223 U	11/2010
JP	D1415725	5/2011
JP	D1420793	7/2011
JP	D1420793	8/2011
JP	D1453628	10/2012
JP	D1487823	1/2014
KR	10-2000-0044438	7/2000
KR	20-0429528	10/2006
KR	10-2012-0125933	11/2012
TW	D103373	3/2005
TW	D149647	10/2012
WO	WO 9604153	2/1996
WO	WO2004091673 A1	10/2004
WO	D066974-001	9/2005
WO	2010002291 A1	1/2010

OTHER PUBLICATIONS

U.S. Appl. No. 15/653,897, filed Jul. 19, 2017.

Notice of Allowance dated Jan. 21, 2016, in U.S. Appl. No. 29/494,462, filed Jun. 20, 2014.

Amendment dated Nov. 13, 2015, in U.S. Appl. No. 29/494,462, filed Jun. 20, 2014.

Office Action dated Aug. 24, 2015, in U.S. Appl. No. 29/494,462, filed Jun. 20, 2014.

Search Report for Taiwanese Design Patent Application No. 103305833, completed date Apr. 16, 2015.

China Quality Suppliers; "Black or White Car Air Vent Mount Holder/Adjustable Universal Mobile Phone Stand Holder;" <http://www.hebeimanjikefrp.com/sale-2307306-black-or-white-car-air-vent-mount-holder-adjustable-universal-mobile-phone-stand-holder.html>; Copyright 2014-2015.

Exogear; "ExoMount Touch;" <http://www.exogear.com/products-exomount-touch-one-touch-car-mount-holder.html>; Copyright 2013 Exogear.

Office Action dated Sep. 27, 2017, in U.S. Appl. No. 15/653,897, filed Jul. 19, 2017.

Design U.S. Appl. No. 29/599,624, filed Apr. 5, 2017.

Notice of Allowance dated May 15, 2013, in Design U.S. Appl. No. 29/437,793, filed Nov. 20, 2012.

Office Action dated Oct. 3, 2014, in U.S. Appl. No. 13/897,062, filed May 17, 2013.

Response to Office Action filed Nov. 3, 2014, in U.S. Appl. No. 13/897,062, filed May 17, 2013.

Arkon Resources Inc., SMH429-SBH Universal Air Vent Swivel Mount with Adjustable Cradle, (downloaded from <https://www.amazon.com/Arkon-Holder-iPhone-Galaxy-Retail/dp/B003XAF4YQ> on Apr. 11, 2017, 9 pages).

Office Action dated Dec. 4, 2014, in U.S. Appl. No. 13/897,062, filed May 17, 2013.

Response to Office Action dated May 5, 2015, in U.S. Appl. No. 13/897,062, filed May 17, 2013.

Notice of Allowance dated Jun. 8, 2015, in U.S. Appl. No. 13/897,062, filed May 17, 2013.

Preliminary Amendment filed Sep. 16, 2015, in U.S. Appl. No. 14/736,090, filed Jun. 10, 2015.

Decision to Grant dated Jul. 5, 2016, in Russian Application No. 2015137589.

Exam Report, search report dated Apr. 22, 2016, in European Application No. 147798238.3.

Office Action dated Apr. 14, 2016, in Korean Application No. 10-2015-7035564.

Office Action dated Jul. 14, 2016, in Korean Application No. 10-2015-7035564.

Notice of Allowance dated Aug. 23, 2016, in Korean Application No. 10-2015-7035564.

Web posting, entitled “[Arkon Air Vent Smartphone Car Mount] Review of SM429-SBH Air Vent Universal Smartphone Car Mount” (Publication Date: Nov. 21, 2010, <http://cafe.naver.com/bjphone/1391925>).

Web posting entitled, “Car Mount for Samsung Galaxy S4 Smartphone [Air Vent Smartphone Car Mount]” (Publication Date: Apr. 29, 2013, <http://blog.naver.com/eeleet/130167208063>).

The International Search Report and The Written Opinion dated Oct. 10, 2014; in PCT patent application No. PCT/US2014/038253, 12 pages.

Office Action dated Sep. 22, 2016, in U.S. Appl. No. 14/736,090, filed Jun. 10, 2015.

Amendment filed Oct. 11, 2016, in European Application No. 147798238.3.

Response to Office Action filed Oct. 21, 2016, in U.S. Appl. No. 14/736,090, filed Jun. 10, 2015.

Office Action dated Nov. 17, 2016, in U.S. Appl. No. 14/736,090, filed Jun. 10, 2015.

Amendment filed Dec. 8, 2016, in Mexican Application No. MX/a/2015/015365.

Amendment filed Dec. 20, 2016, in Mexican Application No. MX/a/2015/015365.

Office Action dated Nov. 9, 2016, in Mexican Application No. MX/a/2015/015365.

Response to Office Action filed Jan. 17, 2017, in U.S. Appl. No. 14/736,090, filed Jun. 10, 2015.

Advisory Action dated Feb. 2, 2017, in U.S. Appl. No. 14/736,090, filed Jun. 10, 2015.

Amendment dated Apr. 14, 2017, in U.S. Appl. No. 13/897,062, filed May 17, 2013.

Amendment dated Jun. 15, 2017, in U.S. Appl. No. 13/897,062, filed May 17, 2013.

Notice of Allowance dated Jun. 26, 2017, in U.S. Appl. No. 13/897,062, filed May 17, 2013.

Notice of Allowance dated Jan. 24, 2019, U.S. Appl. No. 29/599,624, filed Apr. 5, 2017.

* cited by examiner

Primary Examiner — Angela J Lee

(74) *Attorney, Agent, or Firm* — Vierra Magen Marcus LLP

(57)

CLAIM

The ornamental design for a clamping element of a dashboard vent mount for an electronic device, as shown and described.

DESCRIPTION

FIG. 1 is an elevation view of a clamping element of a dashboard vent mount for an electronic device;

FIG. 2 is a plan view of the top of the clamping element of the dashboard vent mount for an electronic device;

FIG. 3 is an elevation view of the left side of the clamping element of the dashboard vent mount for an electronic device;

FIG. 4 is an elevation view of the right side of the clamping element of the dashboard vent mount for an electronic device;

FIG. 5 is a plan view of the bottom of the clamping element of the dashboard vent mount for an electronic device;

FIG. 6 is an isometric view, from the front right, of the clamping element of the dashboard vent mount for an electronic device; and,

FIG. 7 is an isometric view, from the back left, of the clamping element of the dashboard vent mount for an electronic device.

The dash-dot-dash broken line portion of the figure drawings, which illustrate a vent attachment portion of a dashboard vent mount for a portable electronic device, is included to show unclaimed subject matter only and forms no part of the claimed design. The evenly spaced dashed broken lines shown on shaded and claimed surfaces, including the evenly spaced dashed broken line concentric circles shown on a shaded and claimed surface in FIG. 6, form no part of the claimed design.

1 Claim, 7 Drawing Sheets

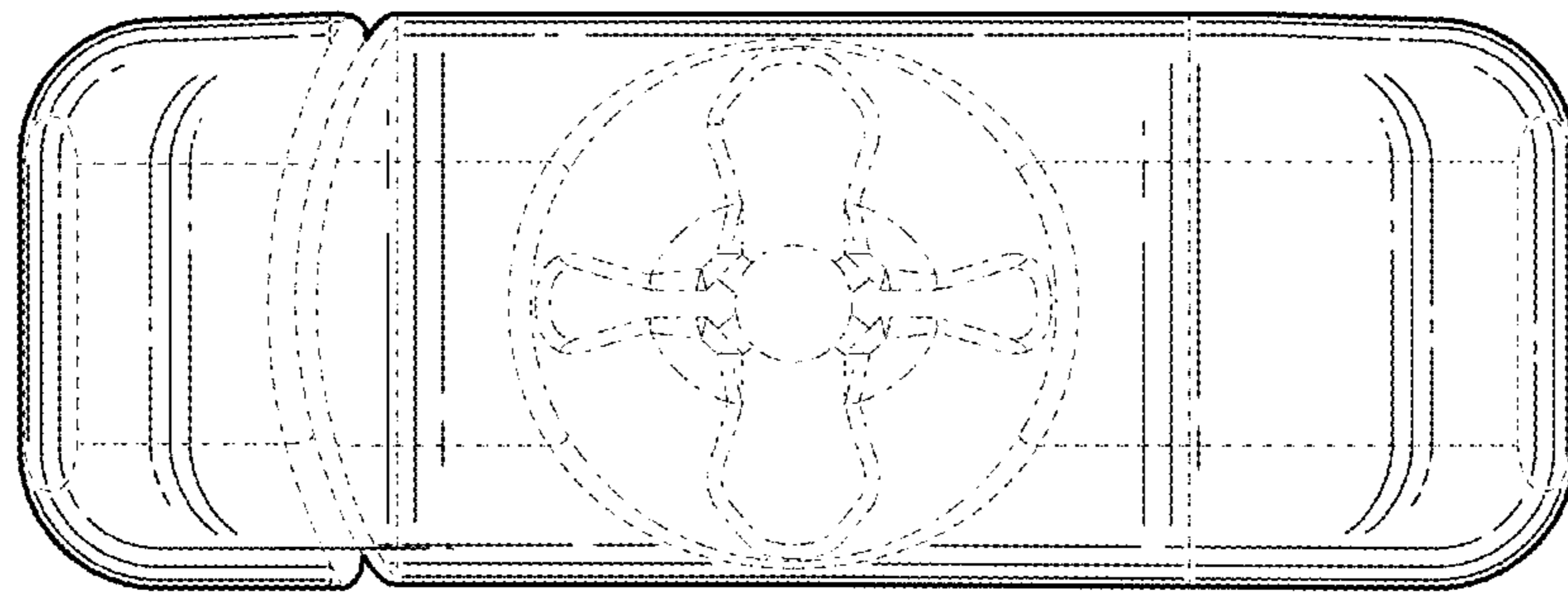


FIG. 1

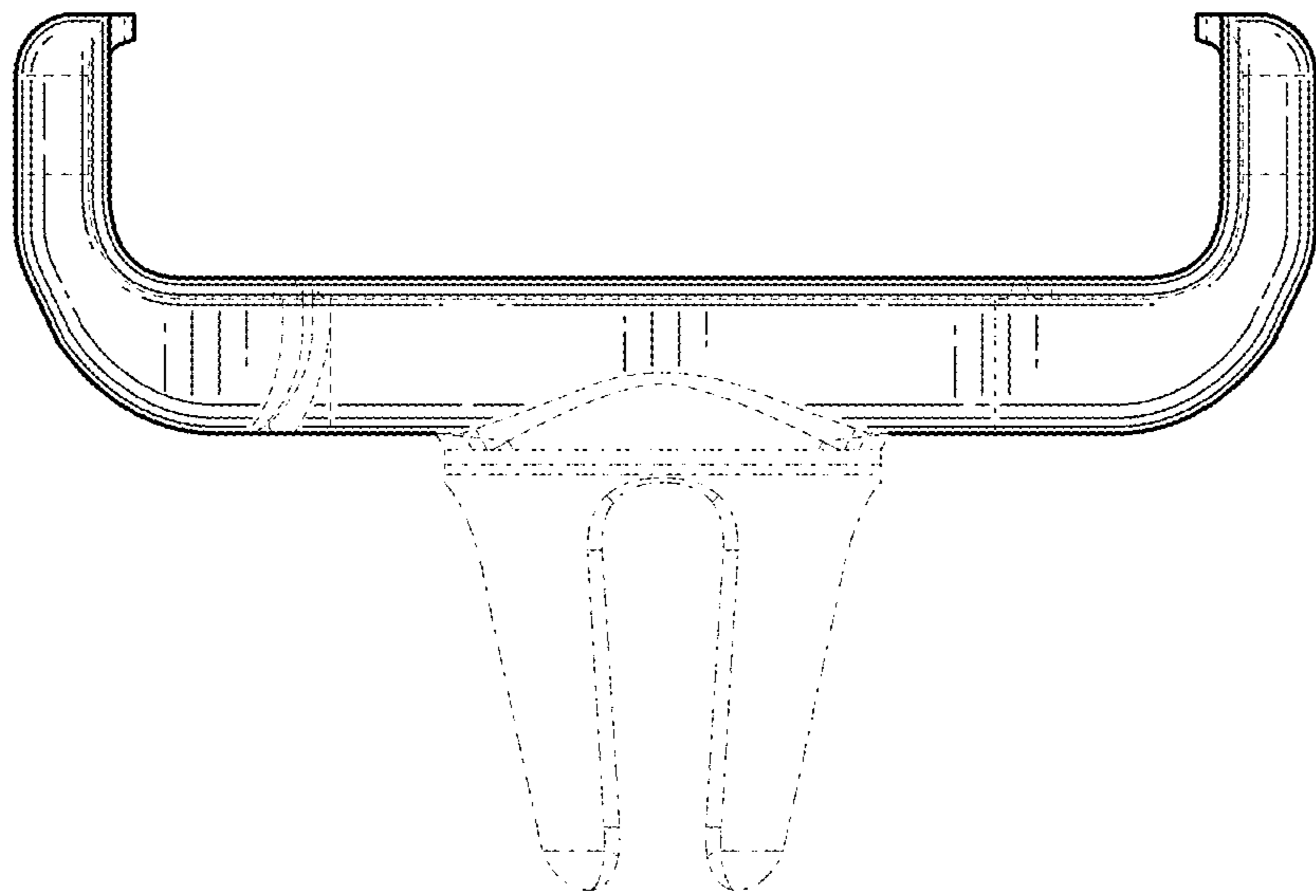


FIG. 2

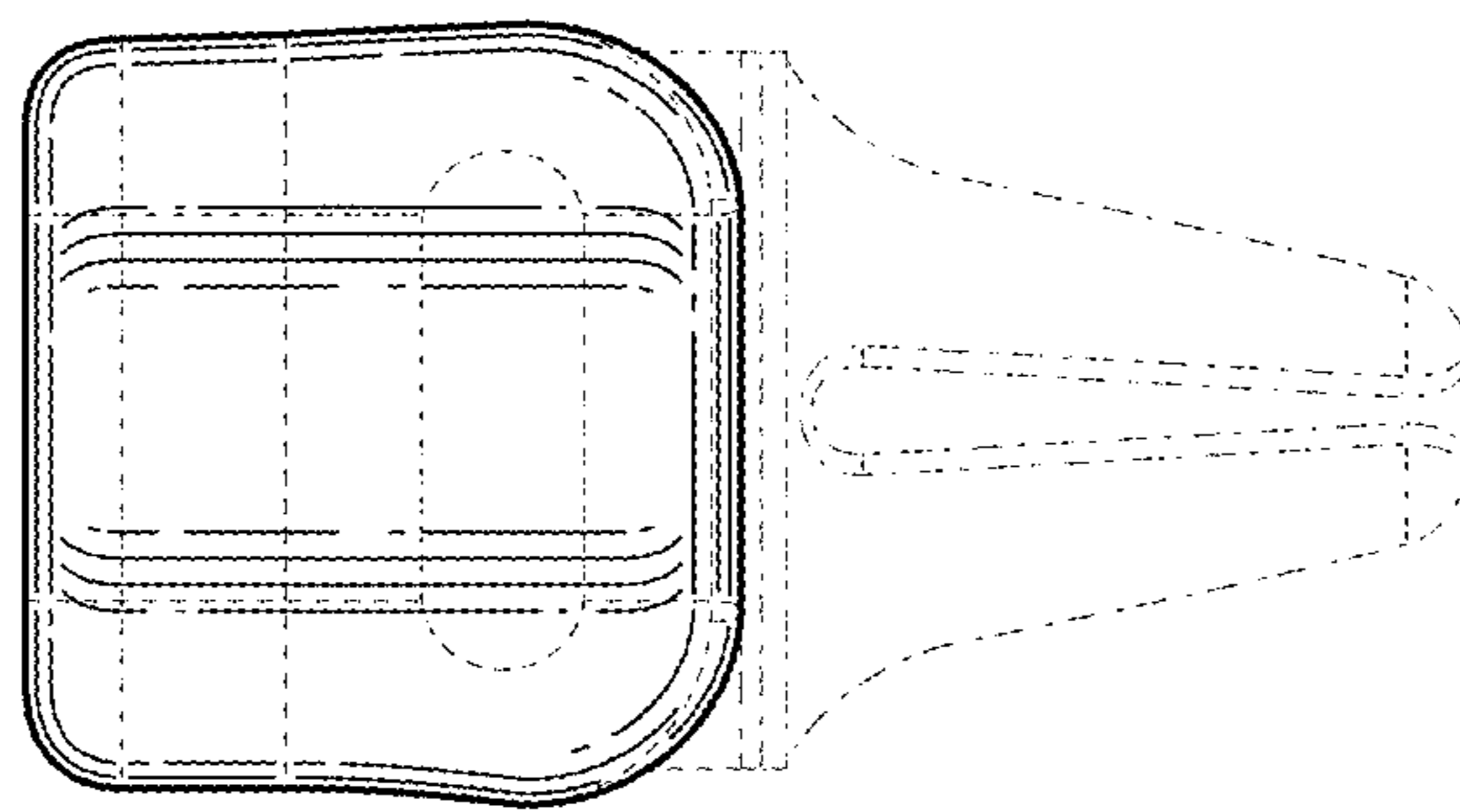


FIG. 3

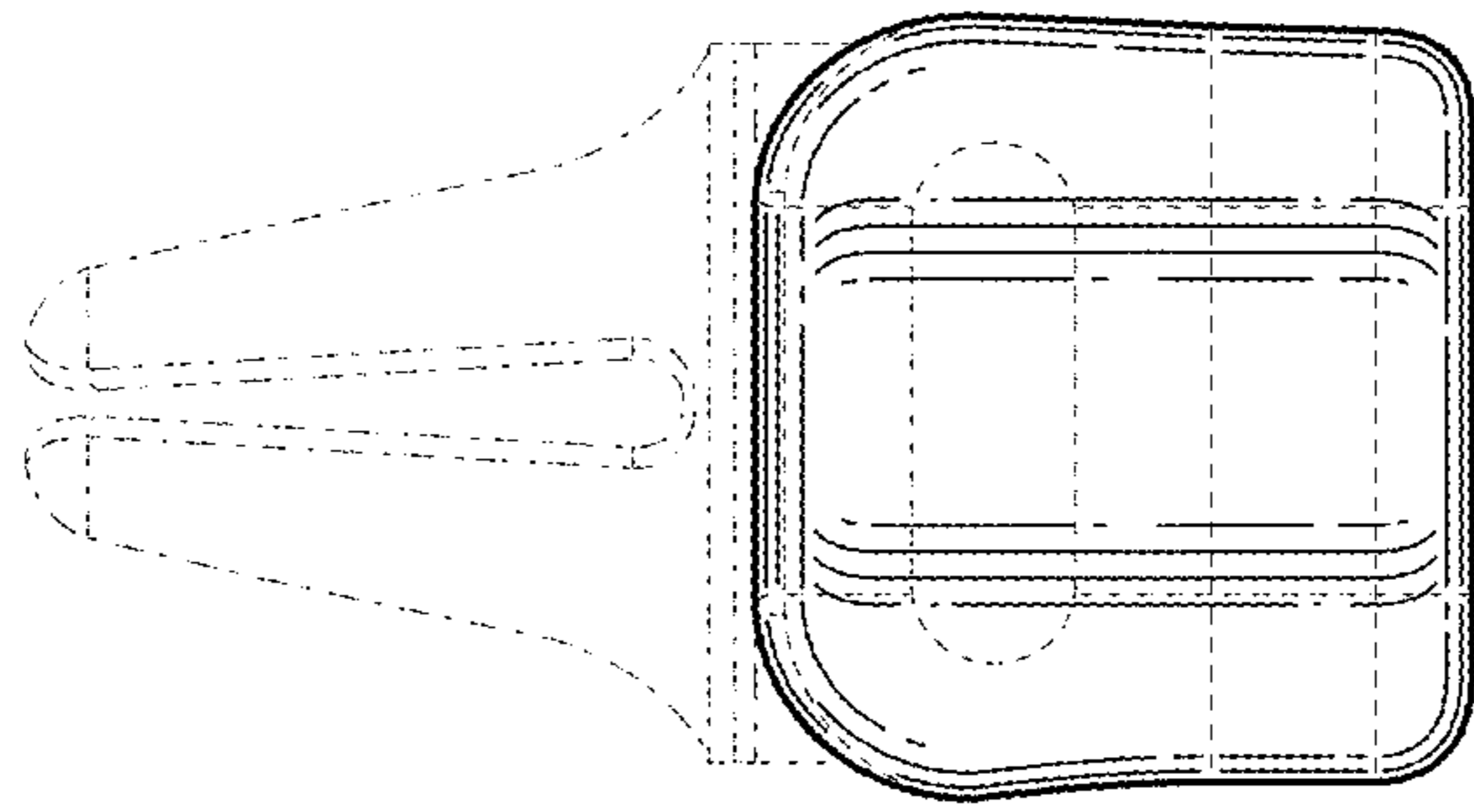


FIG. 4

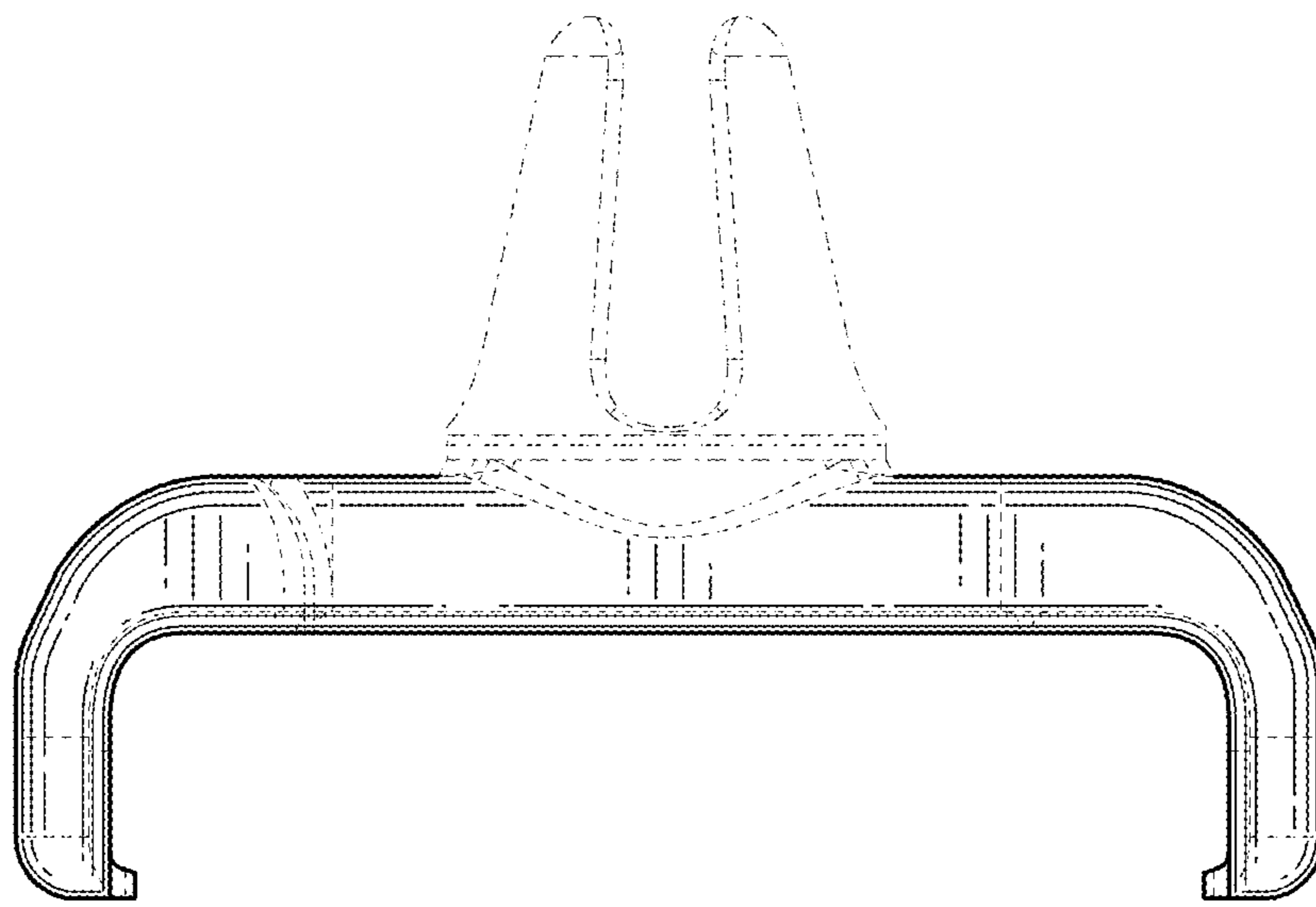


FIG. 5

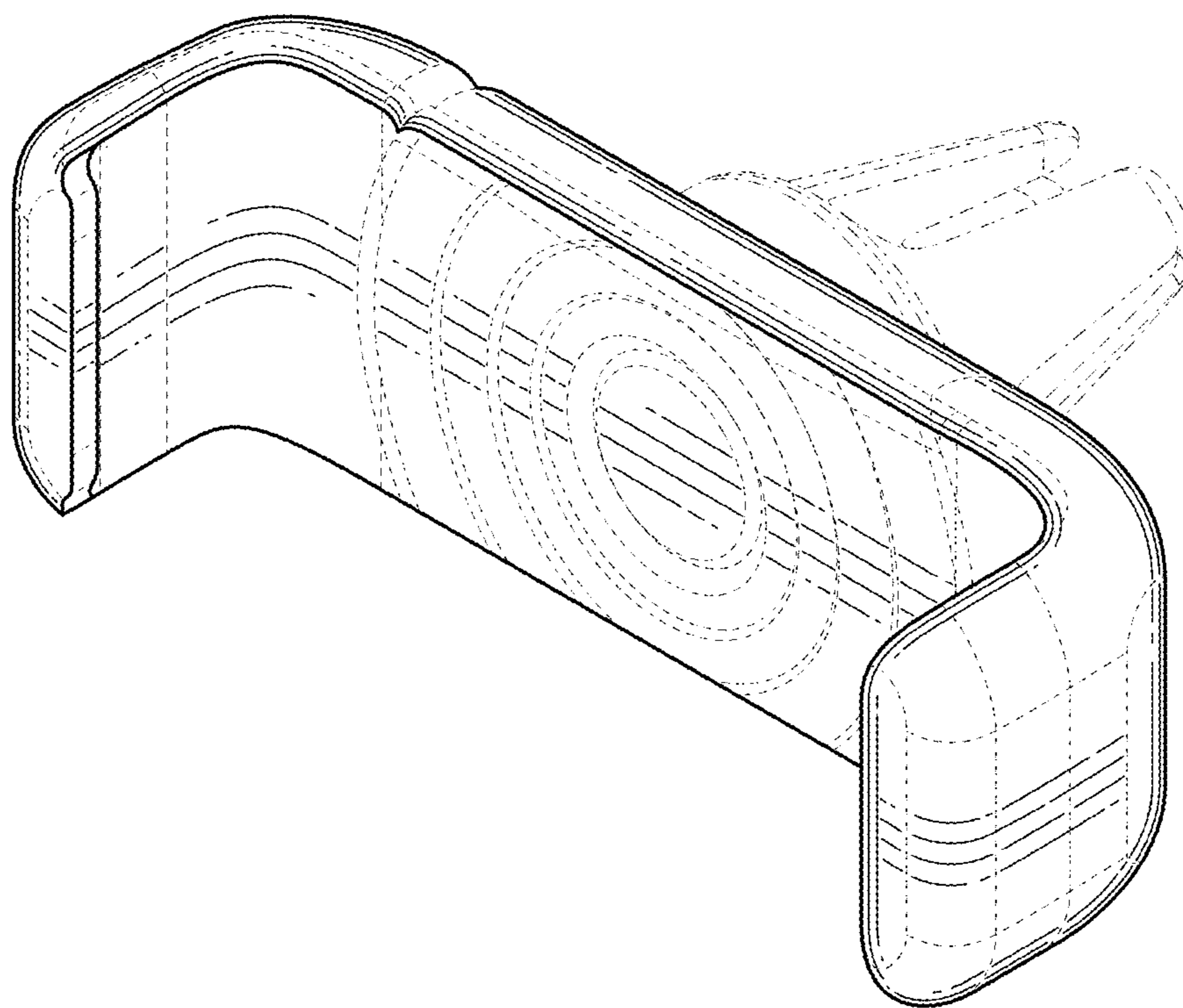


FIG. 6

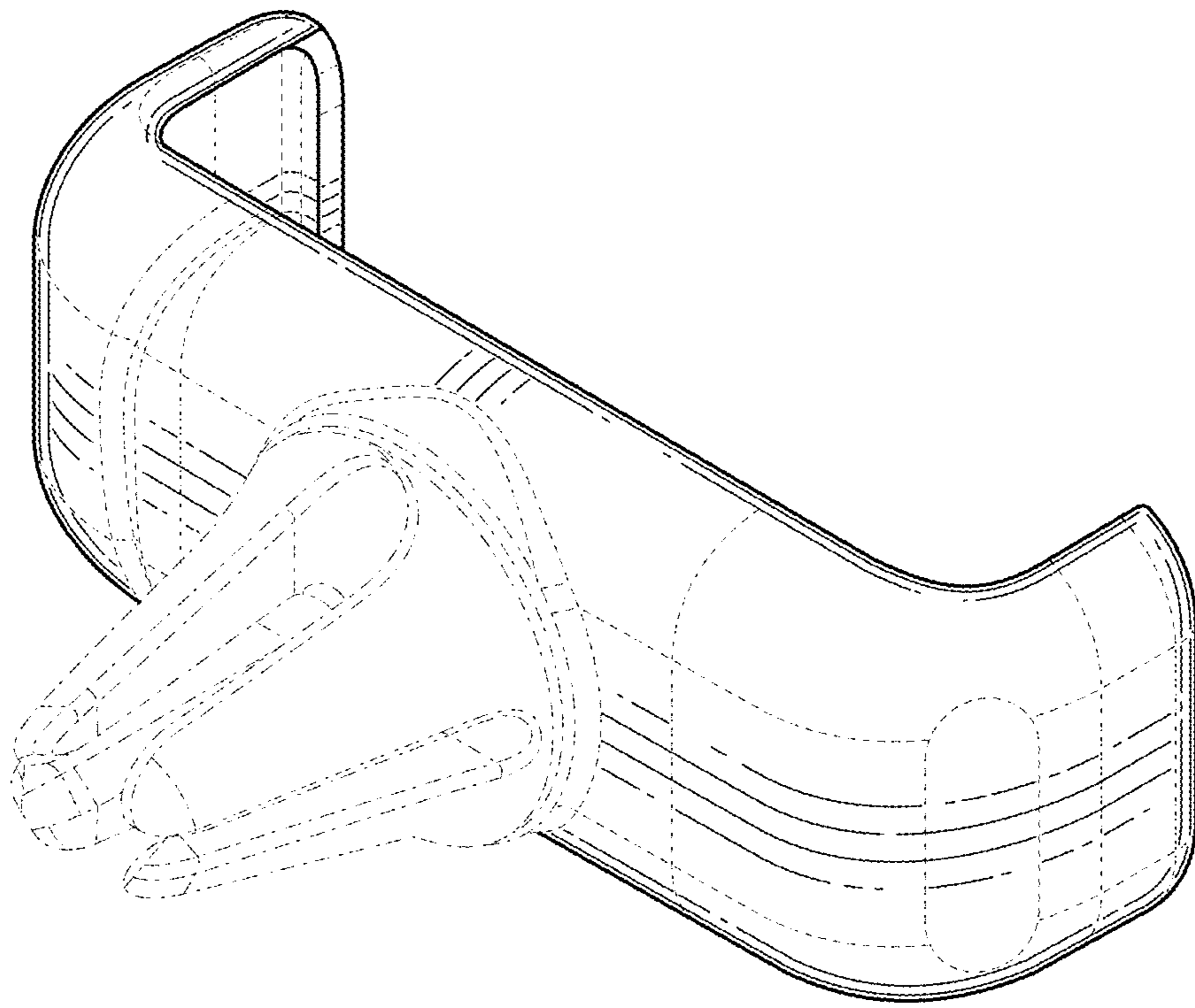


FIG. 7