



US00D864972S

(12) **United States Design Patent**
Chen

(10) **Patent No.:** **US D864,972 S**
(45) **Date of Patent:** **** Oct. 29, 2019**

(54) **LAPTOP COVER**

(71) Applicant: **Shenzhenshi Mayichuangpin**
Kejiyouxiangongsi, Shenzhen (CN)

(72) Inventor: **Baolin Chen, Shenzhen (CN)**

(**) Term: **15 Years**

(21) Appl. No.: **29/700,649**

(22) Filed: **Aug. 5, 2019**

(51) **LOC (12) Cl.** **14-02**

(52) **U.S. Cl.**
USPC **D14/440**

(58) **Field of Classification Search**
USPC D14/440, 447, 250; 206/45.23, 320,
206/45.2; 361/679.55; 294/25; 224/218
CPC G06F 1/1628; G06F 1/1626; A47B 23/044
See application file for complete search history.

(56) **References Cited**

U.S. PATENT DOCUMENTS

D515,588 S	2/2006	Kirkwood	
D714,852 S	10/2014	Levesque	
D752,593 S *	3/2016	Diebel G06F 1/1679
			D14/440
2008/0167095 A1 *	7/2008	Kim H04M 1/0216
			455/575.3
2009/0159763 A1 *	6/2009	Kim F16M 13/00
			248/174
2009/0194209 A1 *	8/2009	De Filippis A45C 11/00
			150/107
2012/0268891 A1 *	10/2012	Cencioni G06F 1/1626
			361/679.55
2013/0088431 A1 *	4/2013	Ballagas G06F 1/1626
			345/168
2013/0223005 A1 *	8/2013	Smith G06F 1/1628
			361/679.55
2013/0233762 A1 *	9/2013	Balaji B65D 25/00
			206/736

2013/0241381 A1 *	9/2013	Hynecek H05K 5/0217
			312/240
2014/0246340 A1 *	9/2014	Jiang A45C 11/00
			206/45.23
2015/0065208 A1 *	3/2015	Balaji H04M 1/04
			455/575.8
2015/0151887 A1 *	6/2015	Huang A45C 11/00
			224/191
2015/0237979 A1 *	8/2015	Huang A45C 11/00
			206/45.25

(Continued)

Primary Examiner — Cynthia R Underwood

(74) *Attorney, Agent, or Firm* — HYIP

(57) **CLAIM**

The ornamental design for a laptop cover, as shown and described.

DESCRIPTION

FIG. 1 is a first perspective view of a laptop cover showing my design;

FIG. 2 is a second perspective view thereof;

FIG. 3 is a front view thereof;

FIG. 4 is a back view thereof;

FIG. 5 is a left side view thereof;

FIG. 6 is a right side view thereof;

FIG. 7 is a top view thereof;

FIG. 8 is a bottom view thereof;

FIG. 9 is an enlarged view of the selected portion in FIG. 1;

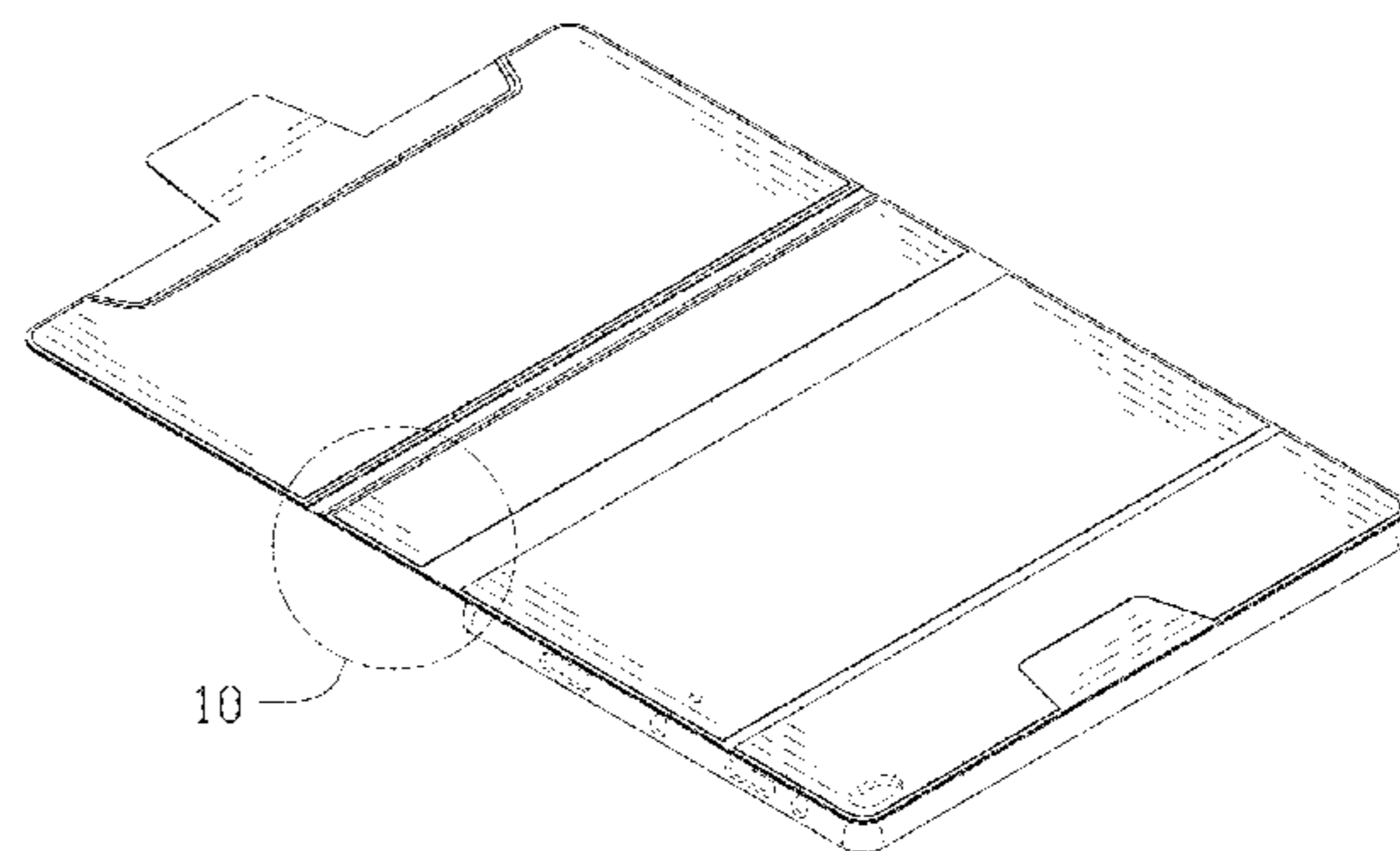
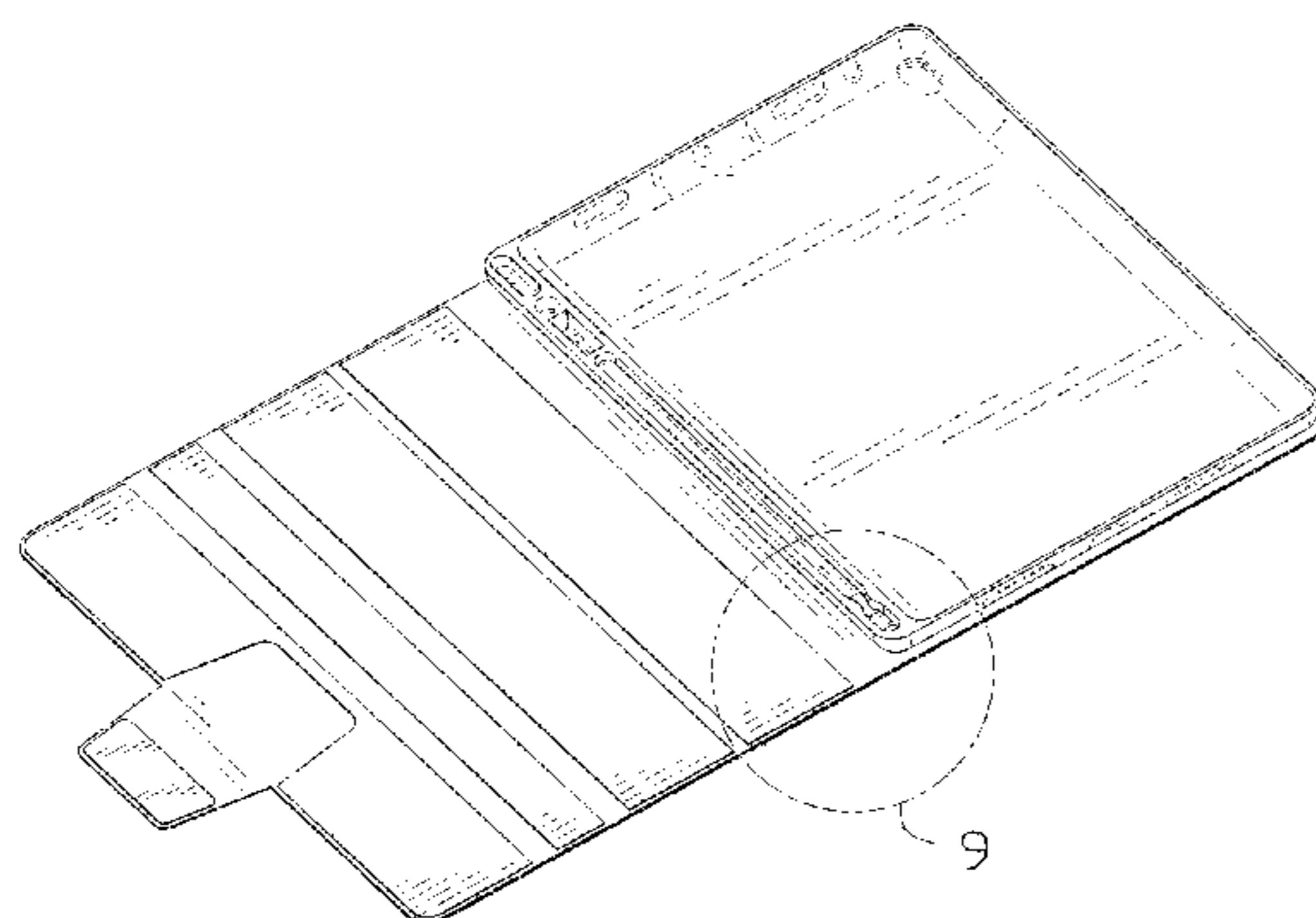
FIG. 10 is an enlarged view of the selected portion in FIG. 2;

FIG. 11 is an enlarged view of the selected portion in FIG. 6; and,

FIG. 12 is an enlarged view of the selected portion in FIG. 7.

The broken lines depicting portions of the laptop cover form no part of the claimed design and the broken lines marking where the enlarged portions were taken also form no part of the claimed design.

1 Claim, 12 Drawing Sheets



(56)

References Cited

U.S. PATENT DOCUMENTS

2015/0263776	A1*	9/2015	Shyu	A45C 13/002 455/575.8
2015/0266610	A1*	9/2015	Melmon	B65D 5/5206 206/45.23
2015/0280768	A1*	10/2015	Huang	H04B 1/3888 455/575.8

* cited by examiner

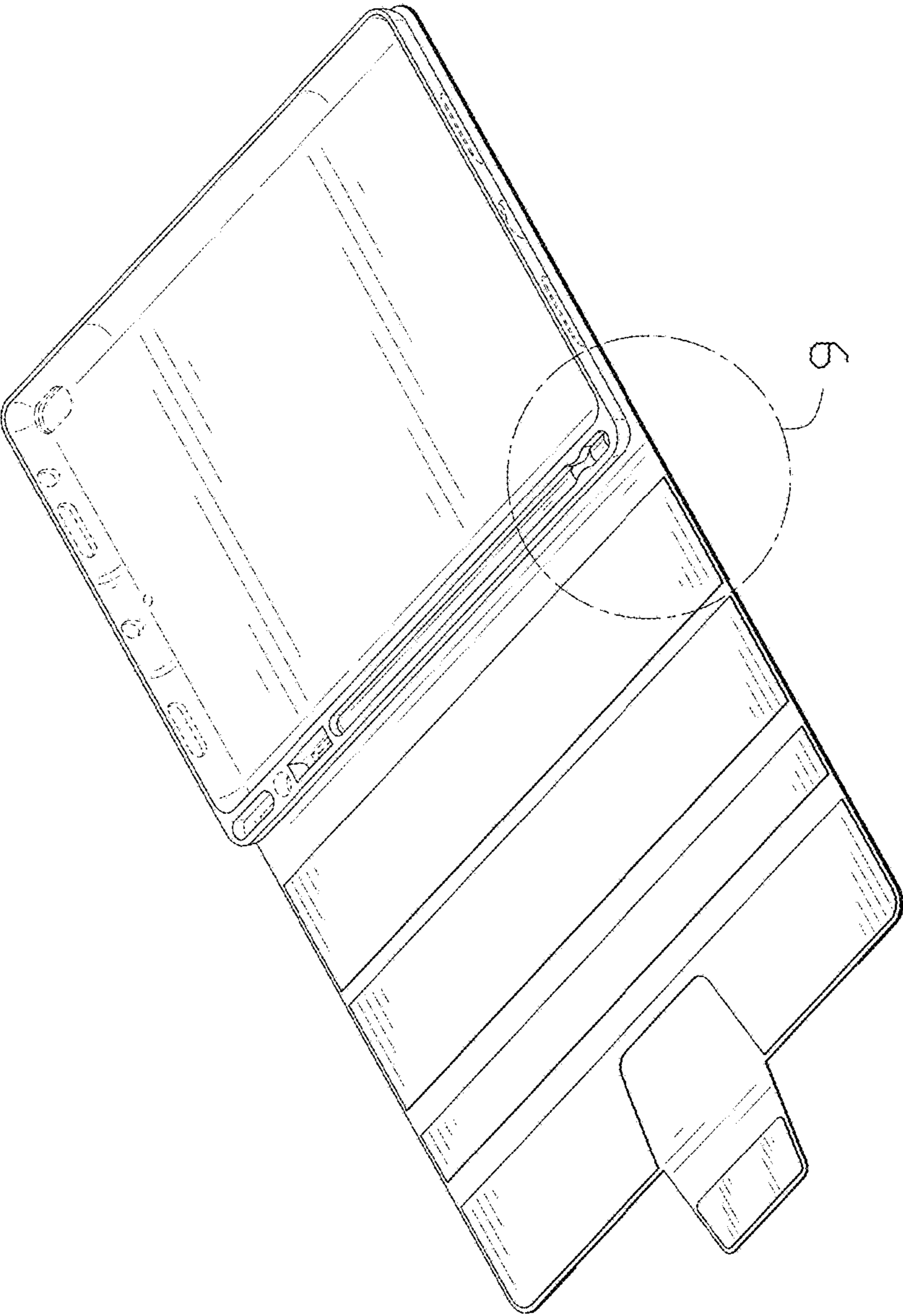


FIG. 1

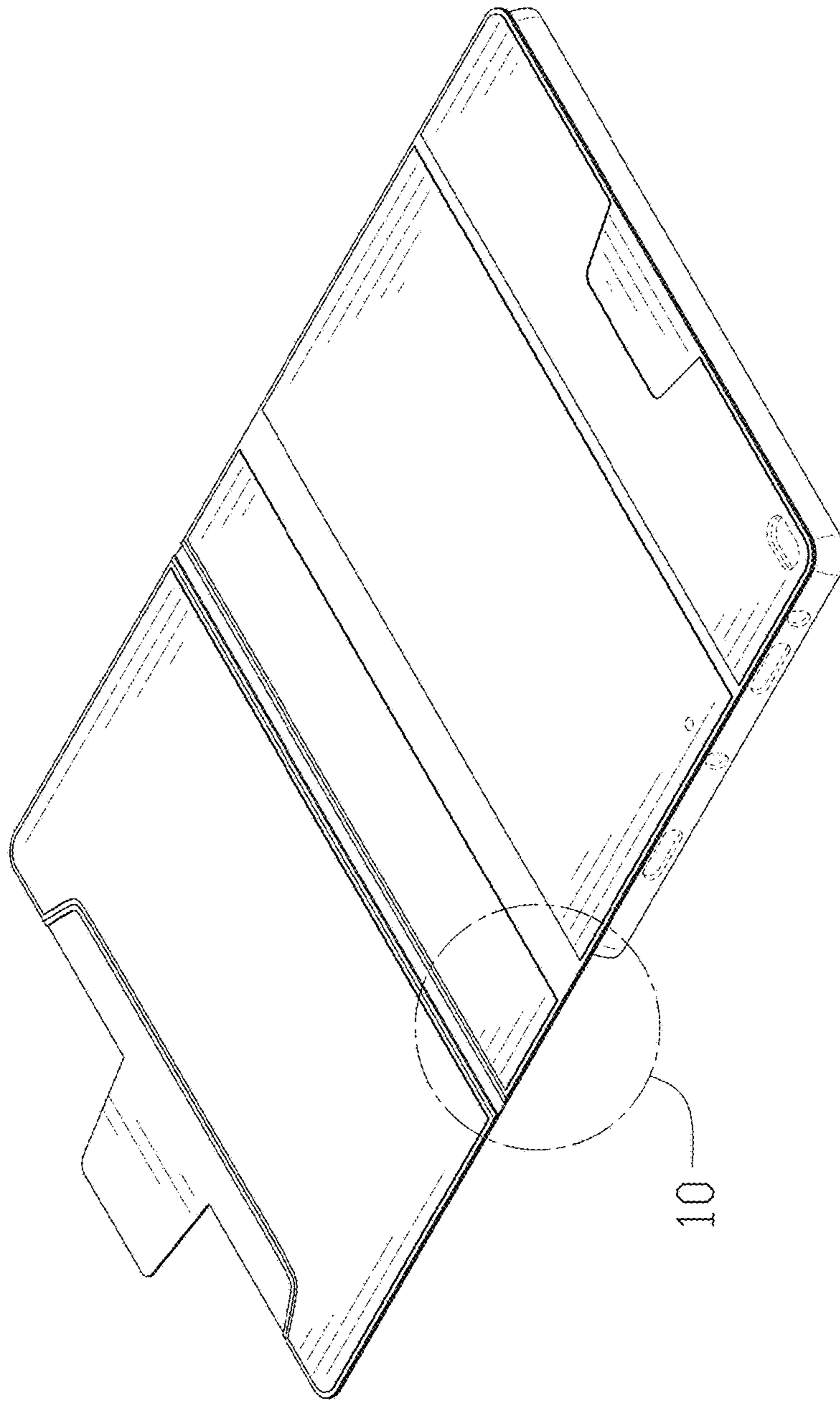


FIG. 2

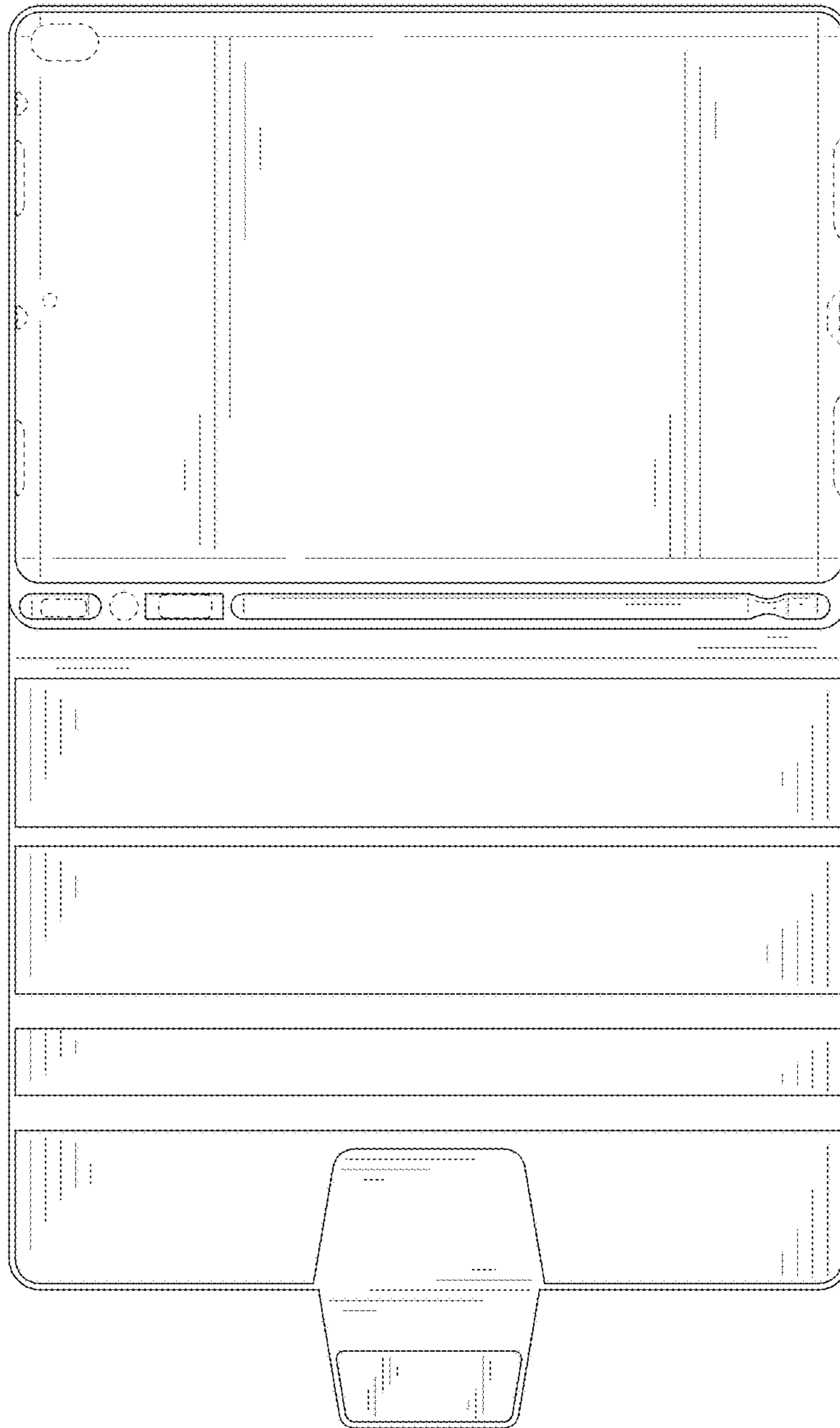


FIG. 3

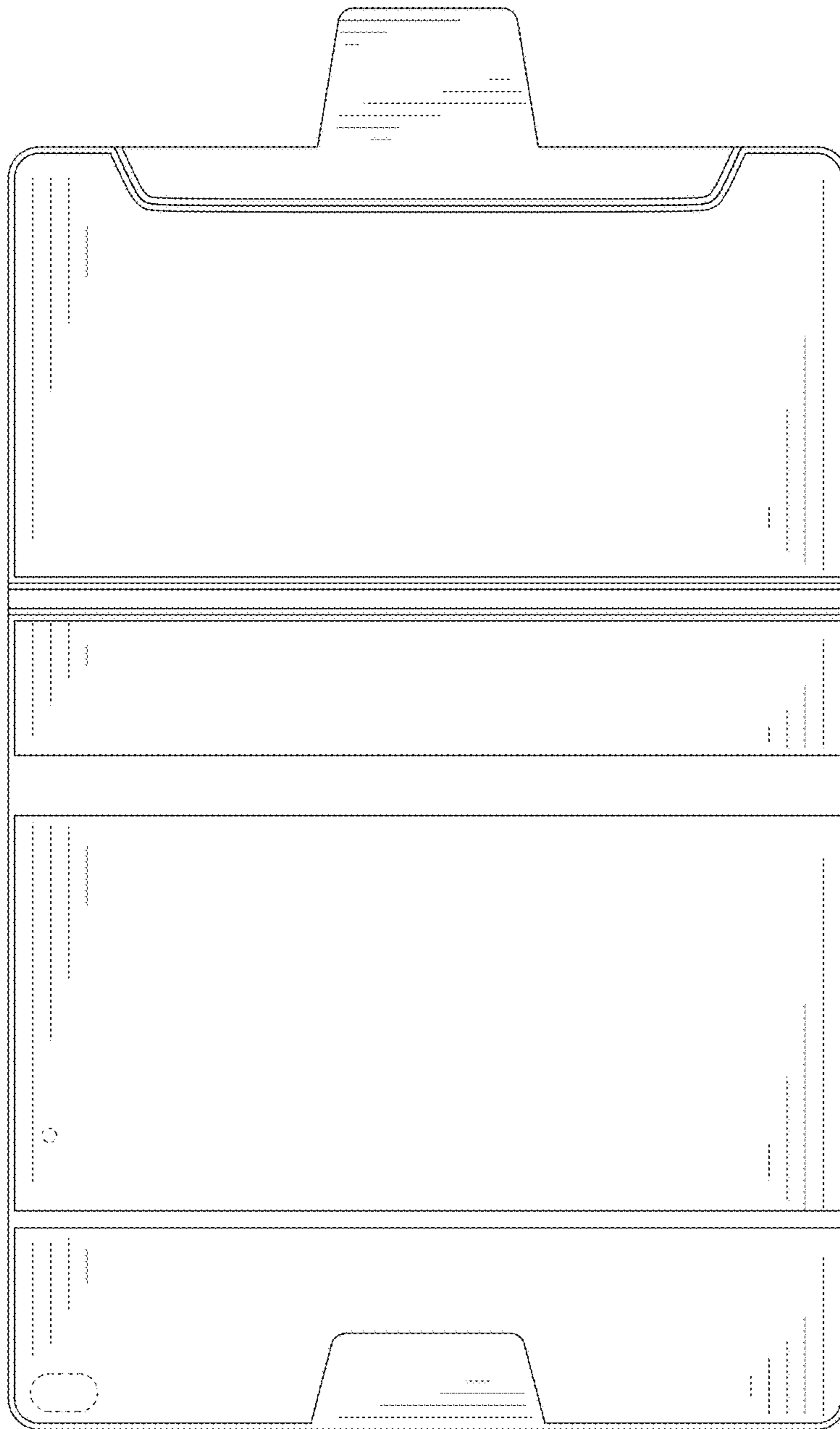


FIG. 4

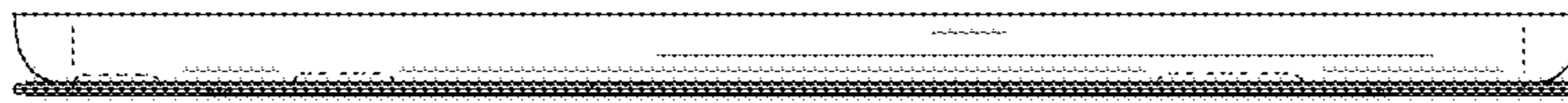


FIG. 5

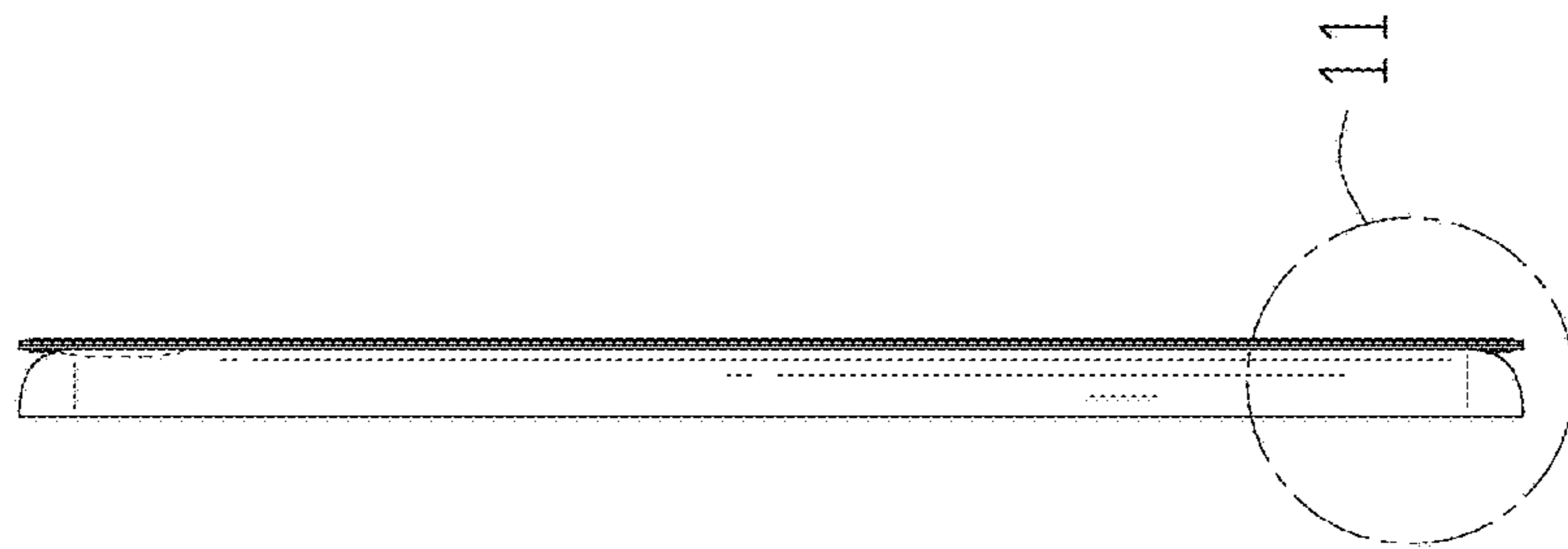


FIG. 6

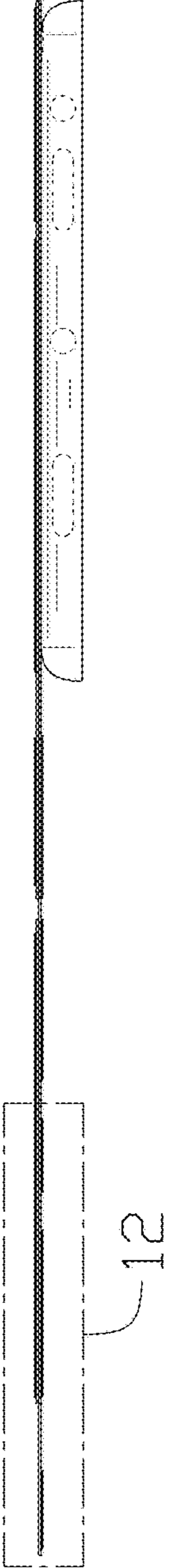


FIG. 7



FIG. 8

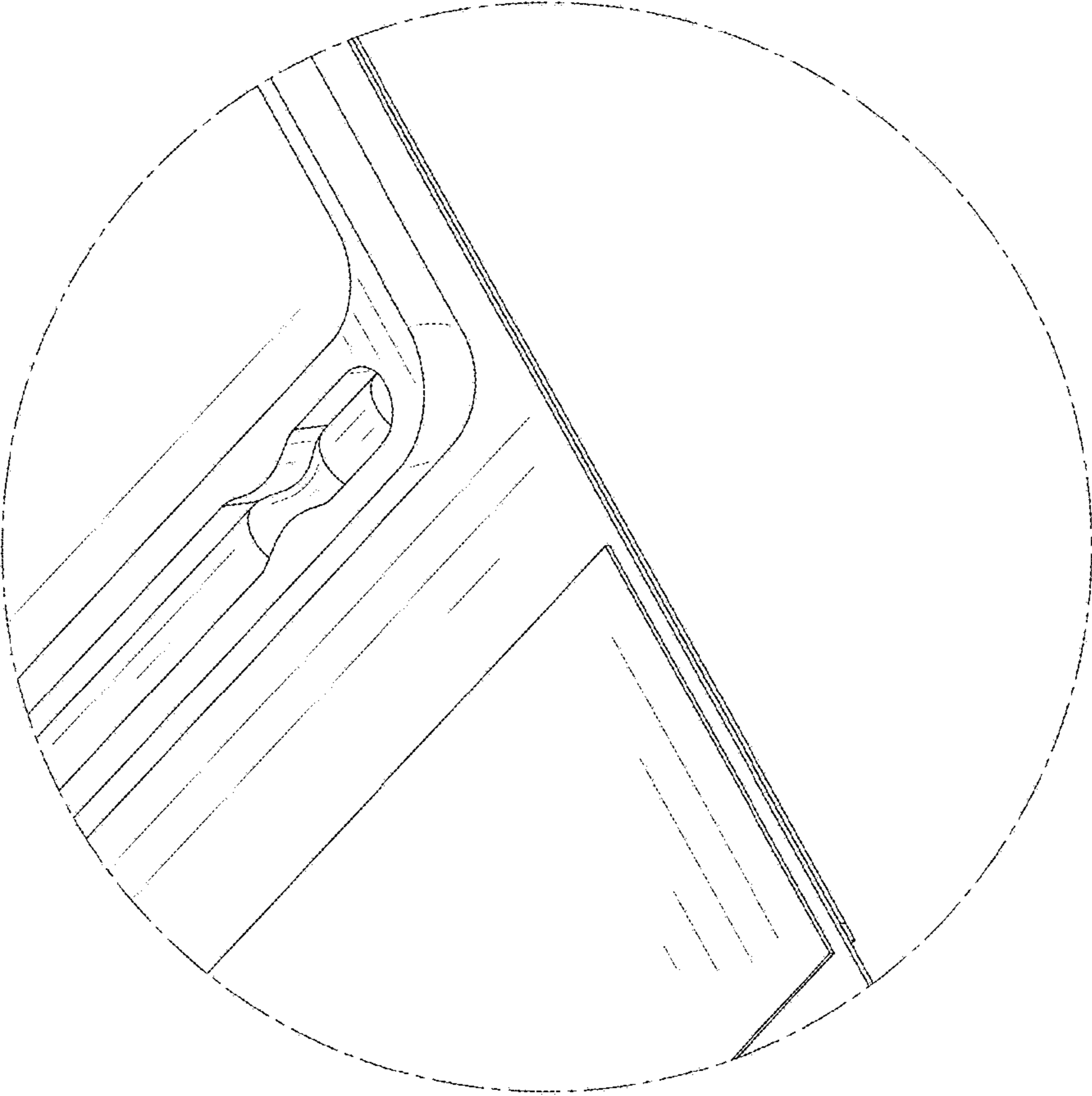


FIG. 9

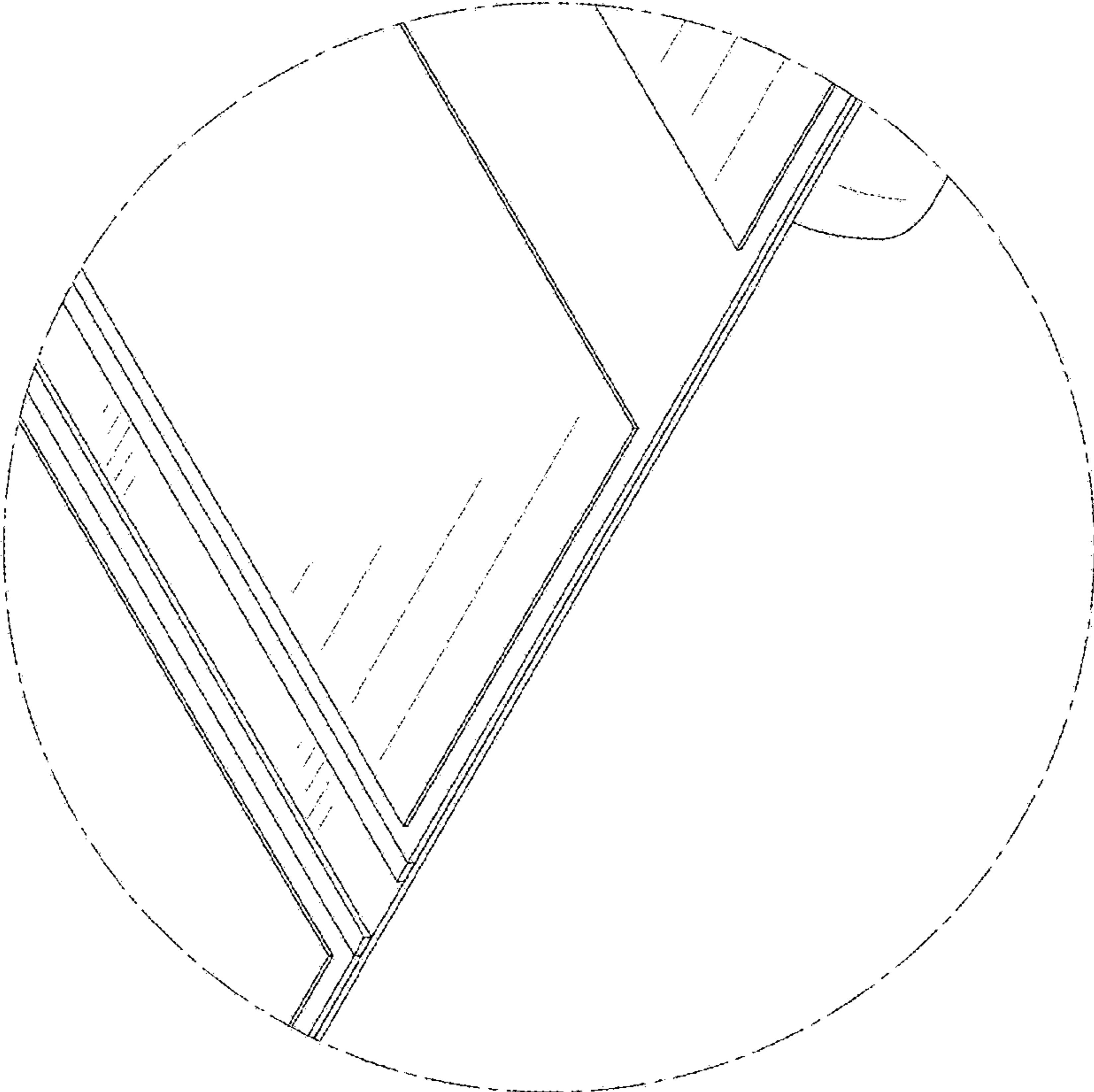


FIG. 10

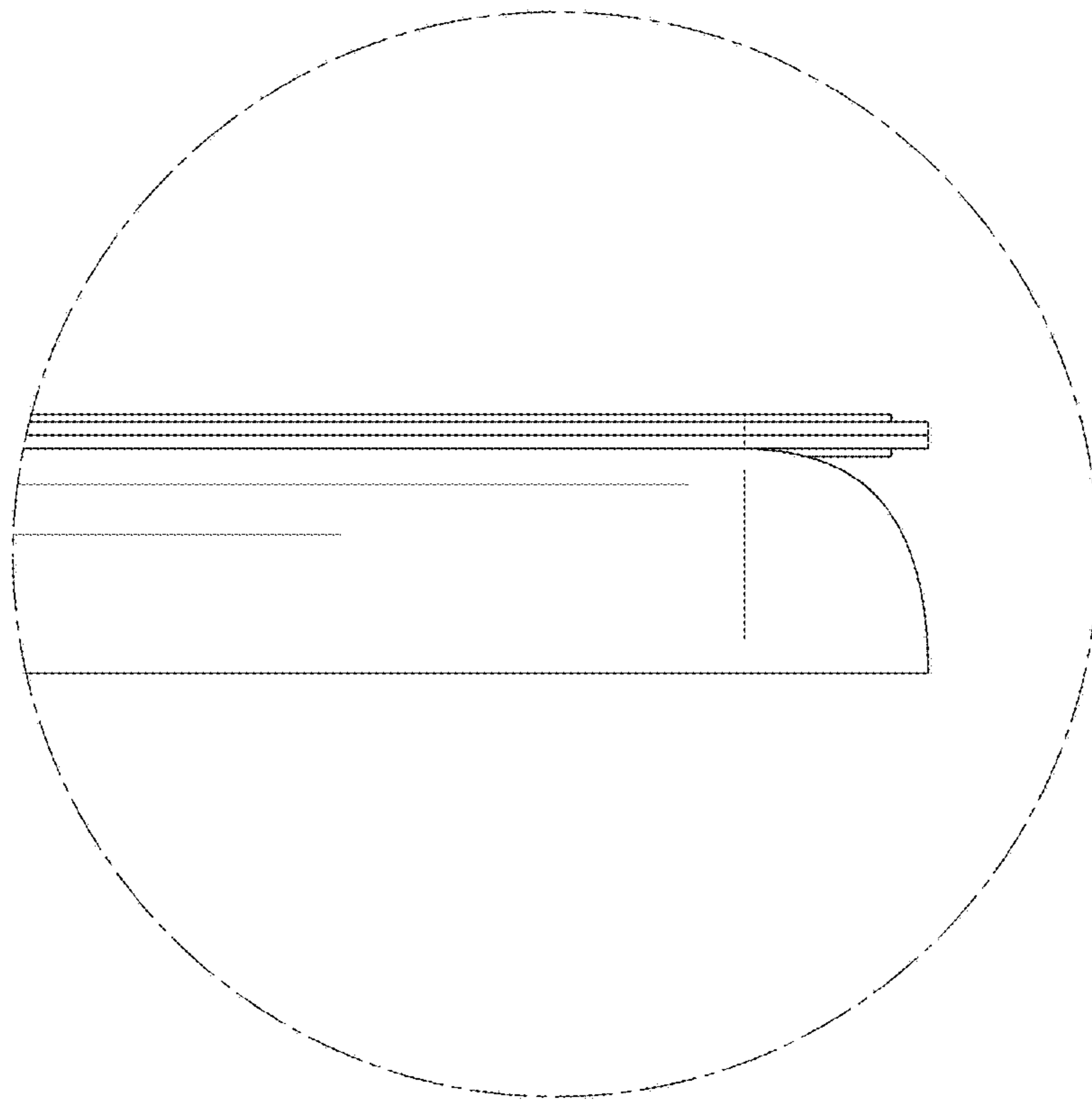


FIG. 11

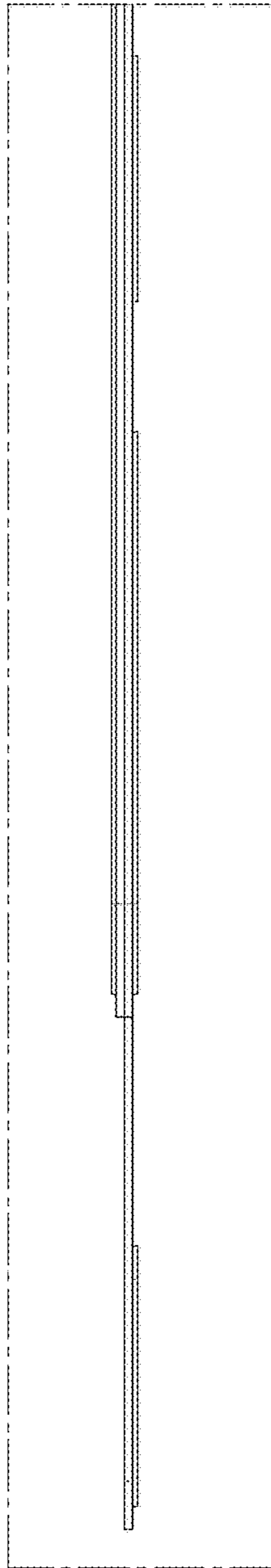


FIG. 12