

US00D864967S

(12) **United States Design Patent** (10) **Patent No.:** **US D864,967 S**
Liu (45) **Date of Patent:** **** Oct. 29, 2019**

(54) **DOCKING STATION**

(71) Applicant: **Shenzhen Xfanic Technology Co., Ltd.**, Shenzhen, Guangdong (CN)

(72) Inventor: **Xiangping Liu**, Guangdong (CN)

(73) Assignee: **Shenzhen Xfanic Technology Co., Ltd.**, Shenzhen (CN)

(**) Term: **15 Years**

(21) Appl. No.: **29/698,255**

(22) Filed: **Jul. 16, 2019**

(51) **LOC (12) Cl.** **14-02**

(52) **U.S. Cl.**
USPC **D14/434**; D14/357; D14/433

(58) **Field of Classification Search**
USPC ... D14/434, 433, 435, 435.1, 356, 357, 358, D14/440, 447, 251-253, 432, 451, 452, D14/454, 140, 142, 149, 217, 240, 299, D14/496, 171; D13/103, 107, 108, 118, D13/119, 184, 110, 123, 133, 135; D21/333

CPC G06F 1/1616; G06F 1/1626; G06F 1/1632; G06F 1/1688; G06F 13/00; G06F 13/38; G06F 13/382; G06F 13/385; G06F 13/387; G06F 3/023; G06F 3/0658; G06F 9/541; G06F 2213/40; G06F 2213/4004; H01R 31/06; H01R 31/065; H01R 27/00; H04R 5/04

See application file for complete search history.

(56) **References Cited**

U.S. PATENT DOCUMENTS

D400,515 S * 11/1998 Shima D14/433
D405,064 S * 2/1999 Iino D13/147
D413,312 S * 8/1999 Suzuki D14/434
D443,860 S * 6/2001 Ogasawara D13/146
D444,472 S 7/2001 Russell
7,283,357 B2 * 10/2007 Kim G06F 1/1632
248/552

D604,737 S * 11/2009 Symons D14/434
D683,765 S * 6/2013 Ahn D14/203.3
D689,858 S * 9/2013 Lo D14/357
D692,024 S * 10/2013 Seong D14/496
D708,166 S * 7/2014 Lim D14/209.1
9,170,609 B2 * 10/2015 Yaojun G06F 1/1632
D750,083 S * 2/2016 Chow D14/434
D788,112 S * 5/2017 Liao D14/433
D798,811 S * 10/2017 Liao D13/110
D800,730 S * 10/2017 Liao D14/433
D803,833 S * 11/2017 He D14/385
D807,290 S * 1/2018 Liao D13/110
9,900,420 B2 * 2/2018 DeCamp G06F 1/266

(Continued)

OTHER PUBLICATIONS

Docking units for computers. (Design—© Questel) orbit.com. [online PDF] 26 pgs. Print Dates Range Mar. 14, 2013 through Jul. 18, 2019. [Retrieved on Aug. 28, 2019] <https://sobjprd.questel.fr/export/QPTUJ214/pdf2/717d8c69-9086-43cf-9a46-2270f9e68ffc-234148.pdf>.*

Primary Examiner — Marie D. Fast Horse

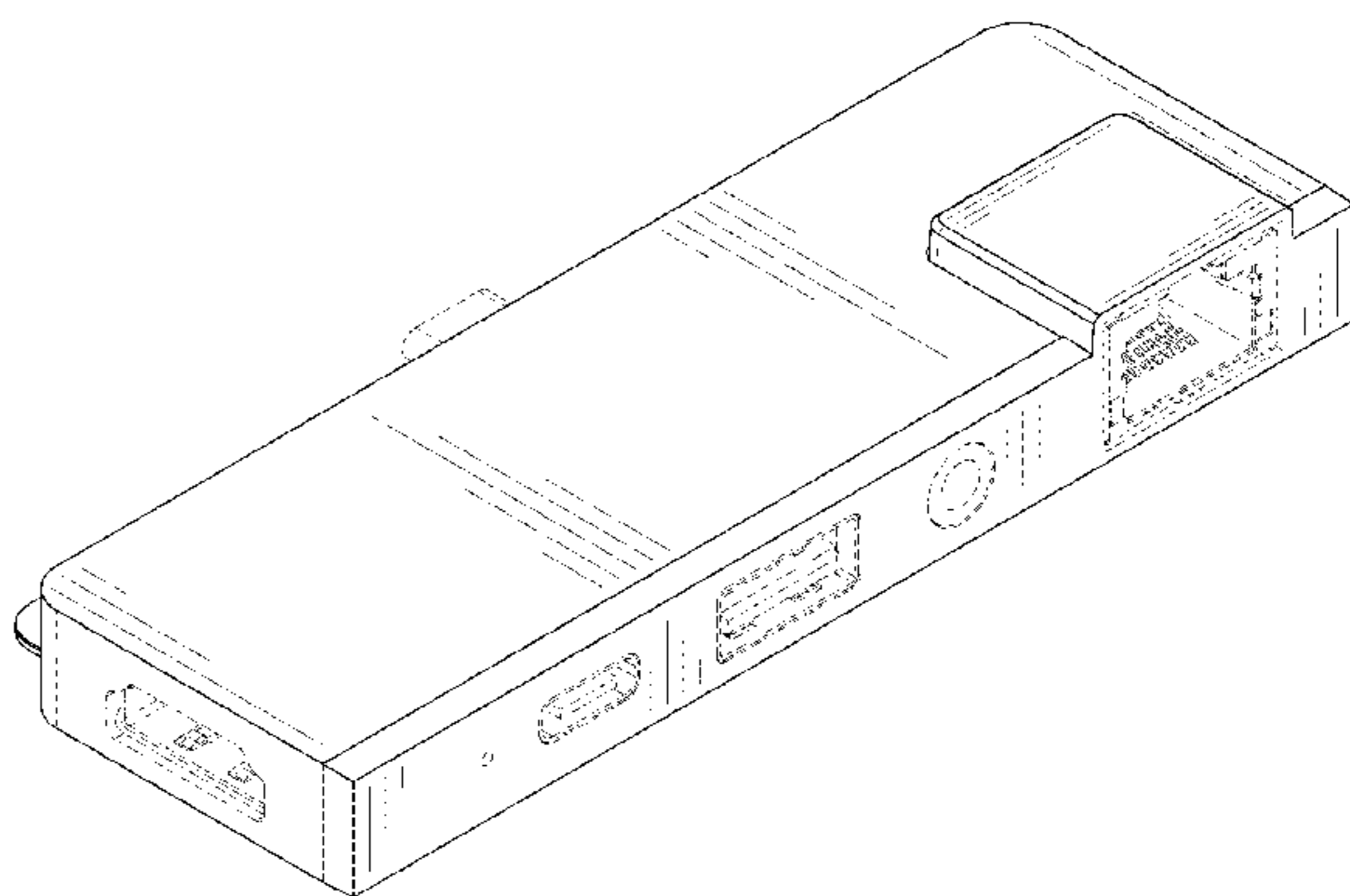
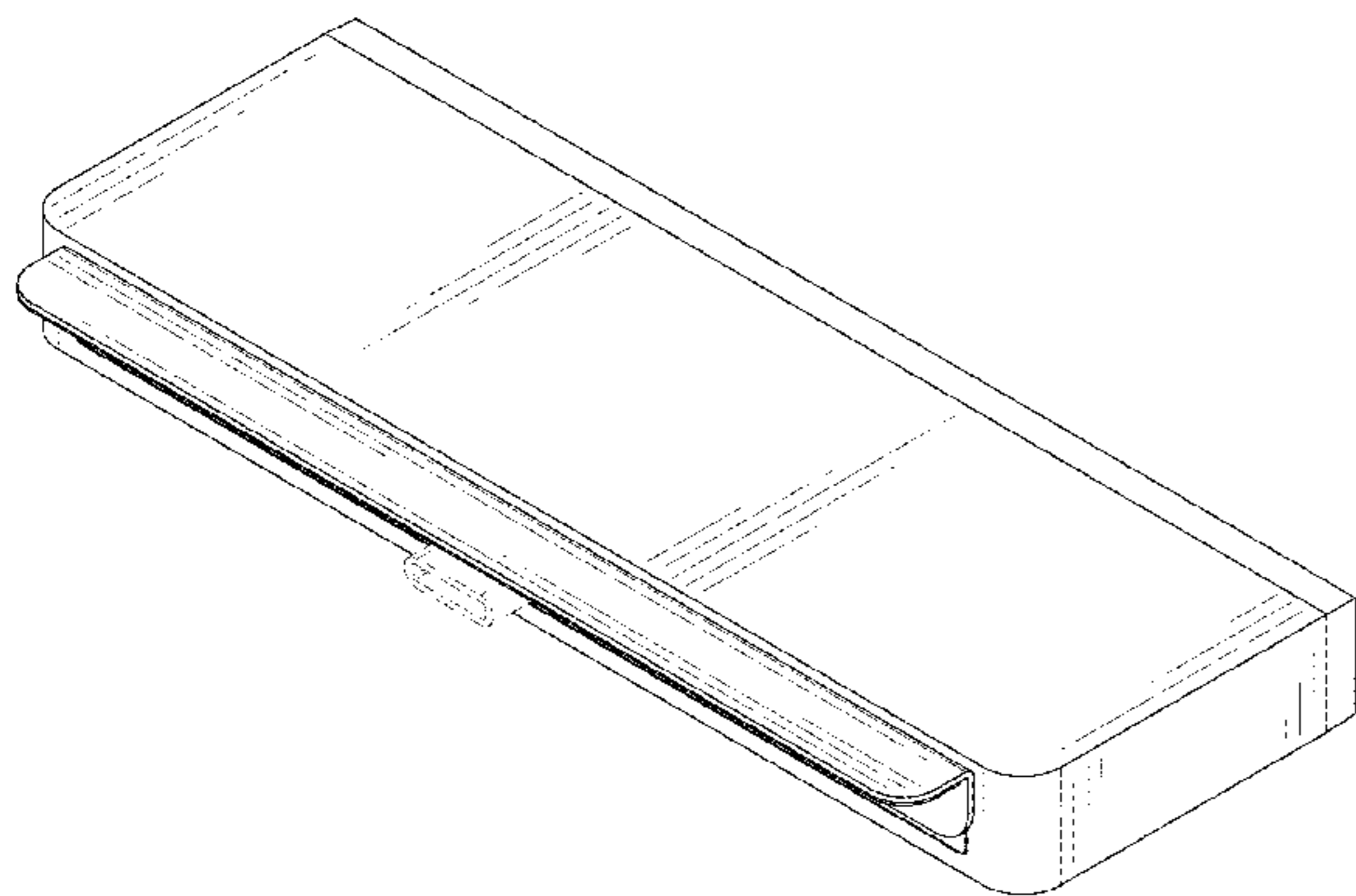
(57) **CLAIM**

The ornamental design for a docking station, as shown and described.

DESCRIPTION

FIG. 1 is a back perspective view of a docking station, showing my new design;
FIG. 2 is a front perspective view thereof;
FIG. 3 is a front view thereof;
FIG. 4 is a back view thereof;
FIG. 5 is a left side view thereof;
FIG. 6 is a right side view thereof;
FIG. 7 is atop view thereof; and,
FIG. 8 is a bottom view thereof.
The broken lines in the figures illustrate portions of the docking station that form no part of the claimed design.

1 Claim, 8 Drawing Sheets



(56)

References Cited

U.S. PATENT DOCUMENTS

9,904,323 B2 * 2/2018 DeCamp G06F 1/1632
 D813,875 S * 3/2018 Liao D14/434
 D828,356 S * 9/2018 Xie D14/433
 D828,839 S * 9/2018 Zhang D14/433
 D828,840 S * 9/2018 Zhang D14/433
 D828,841 S * 9/2018 Zhang D14/433
 D830,366 S * 10/2018 Turksu D14/433
 D838,241 S * 1/2019 Xie D13/108
 D838,669 S * 1/2019 Miller D13/108
 D839,876 S * 2/2019 Turksu D14/435.1
 D844,008 S * 3/2019 Yamazaki D14/434
 D844,318 S 4/2019 Weiland et al.
 D844,560 S * 4/2019 Miller D13/108
 D844,618 S * 4/2019 Liao D14/434
 D847,139 S * 4/2019 Wang D14/433
 D851,646 S * 6/2019 Huebner D14/434
 D853,396 S 7/2019 Kong et al.
 D853,397 S * 7/2019 Wang D14/435.1

D854,019 S * 7/2019 Liao D14/434
 D854,020 S * 7/2019 Liao D14/434
 D854,544 S * 7/2019 Liao D14/434
 D855,054 S * 7/2019 Turksu D14/433
 D855,616 S * 8/2019 Chin D14/433
 2003/0148656 A1 * 8/2003 Huang H01R 13/6658
 439/501
 2003/0216069 A1 * 11/2003 Huang G06F 1/266
 439/105
 2006/0085584 A1 * 4/2006 Chen G06F 1/1632
 710/303
 2007/0070598 A1 * 3/2007 Chuang G06F 1/1632
 361/679.43
 2007/0212145 A1 * 9/2007 Chu G06F 1/1632
 400/76
 2012/0094528 A1 * 4/2012 Vroom H01R 13/512
 439/540.1
 2012/0243156 A1 * 9/2012 Cheng G06F 13/4022
 361/679.02

* cited by examiner

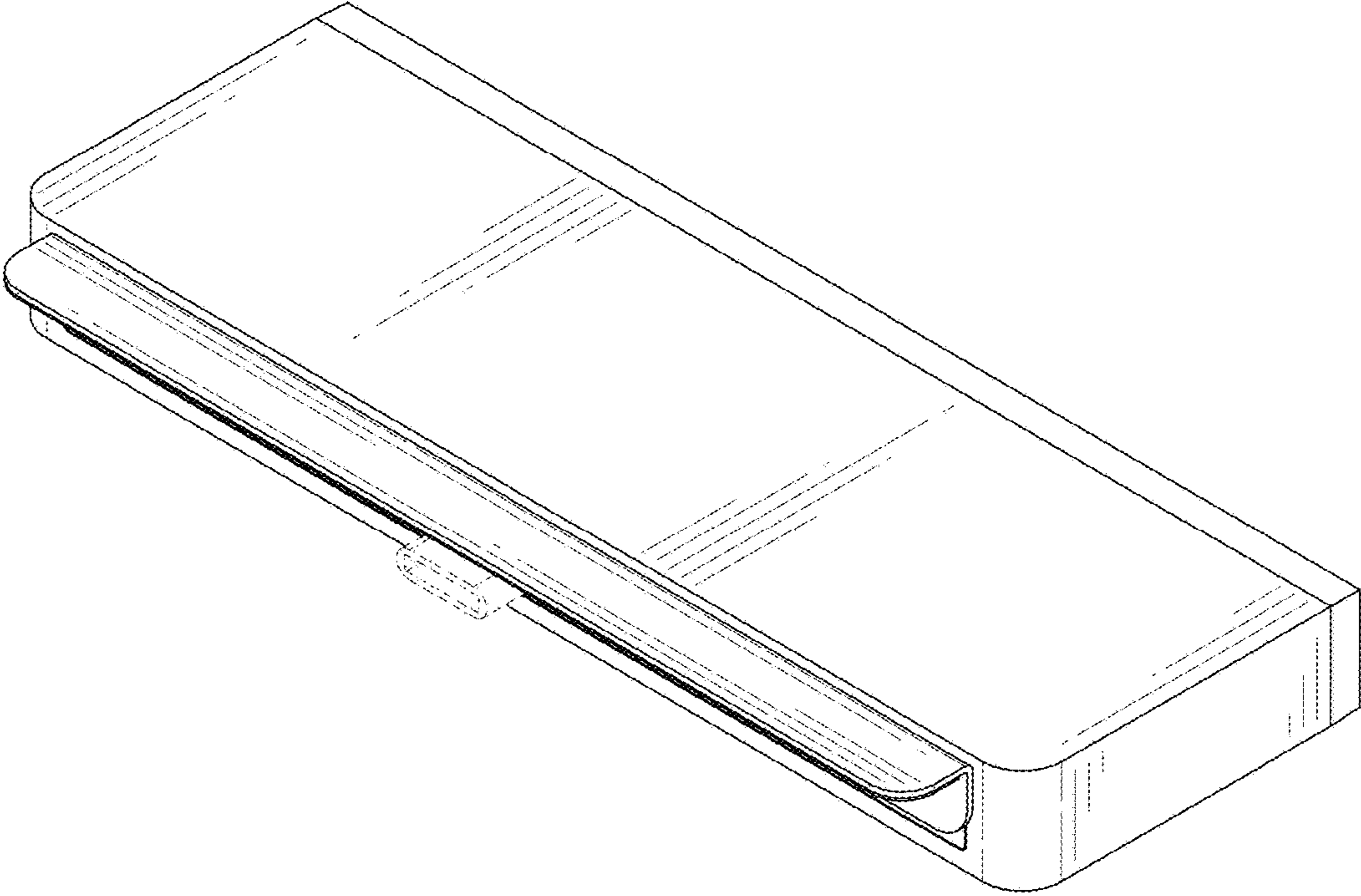


FIG. 1

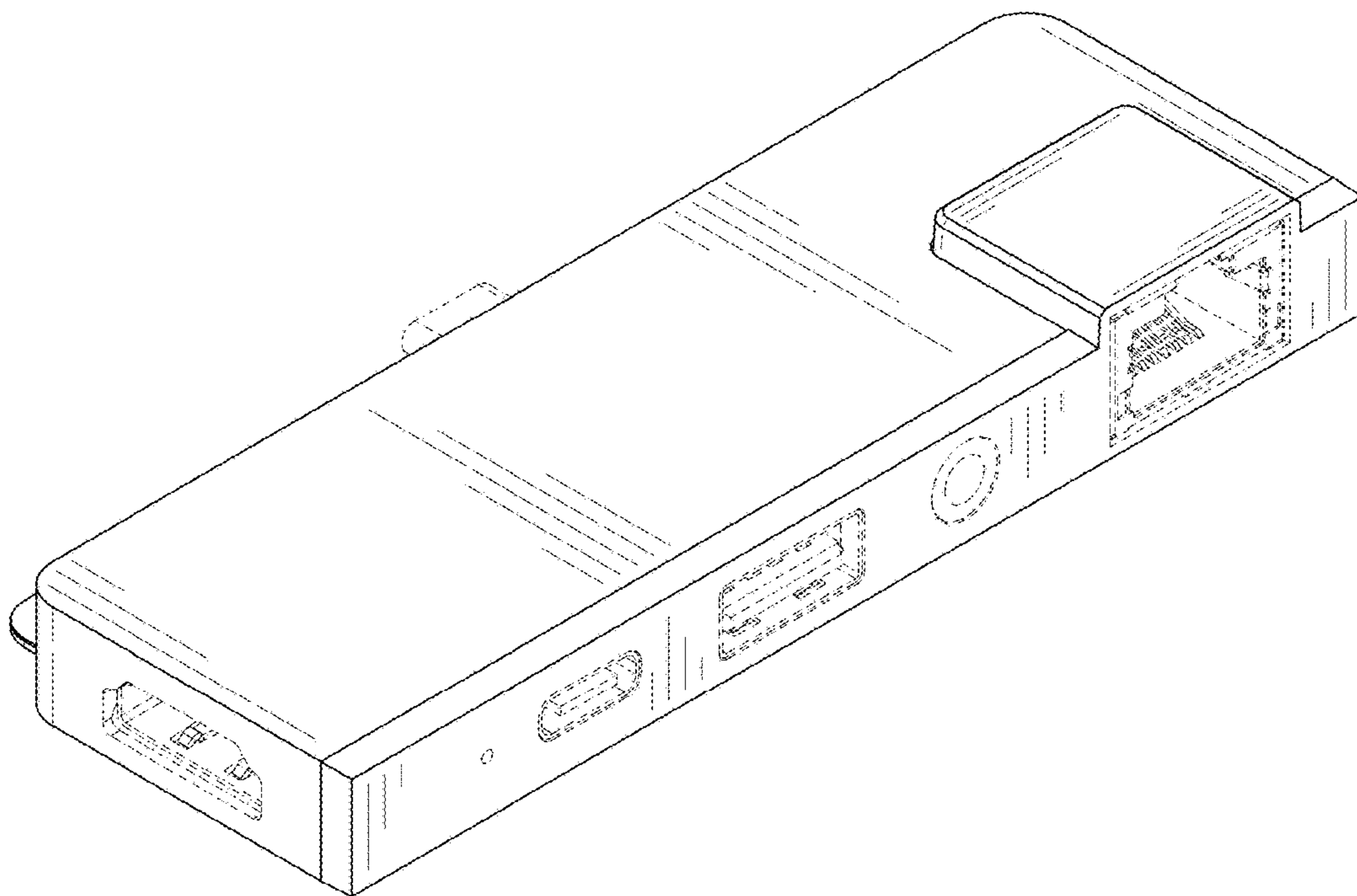


FIG. 2

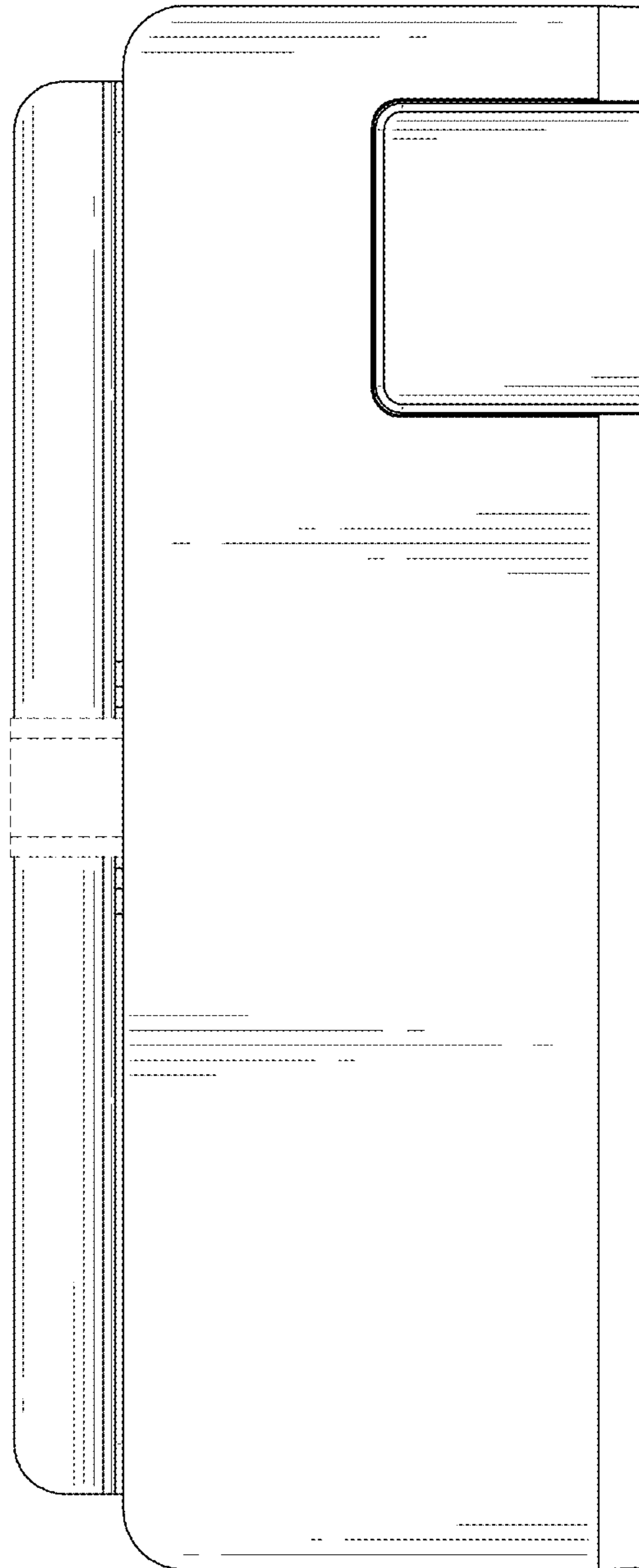


FIG. 3

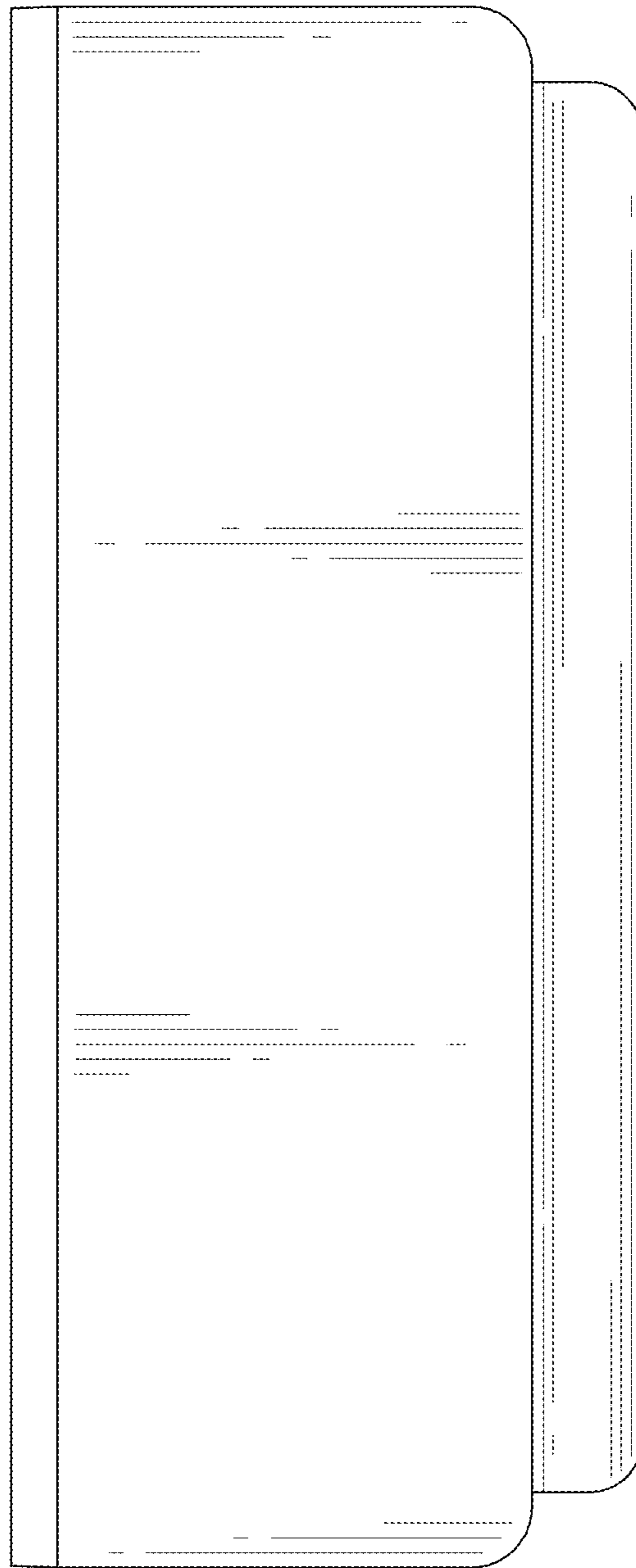


FIG. 4

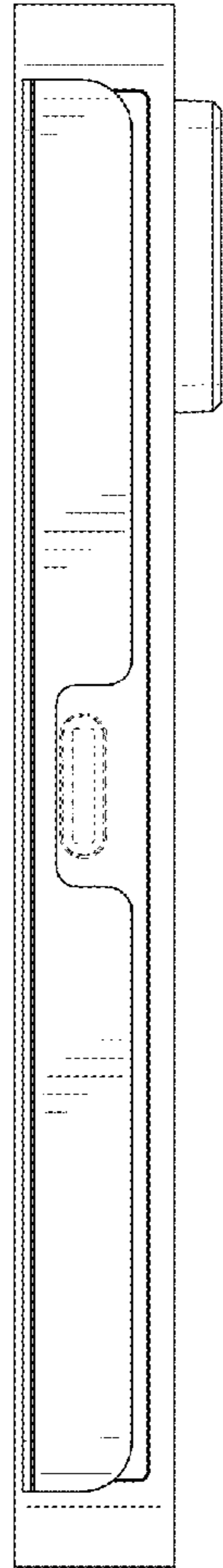


FIG. 5

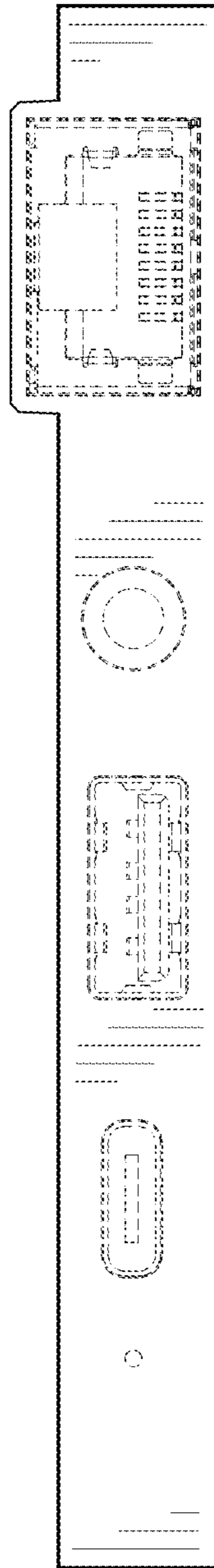


FIG. 6

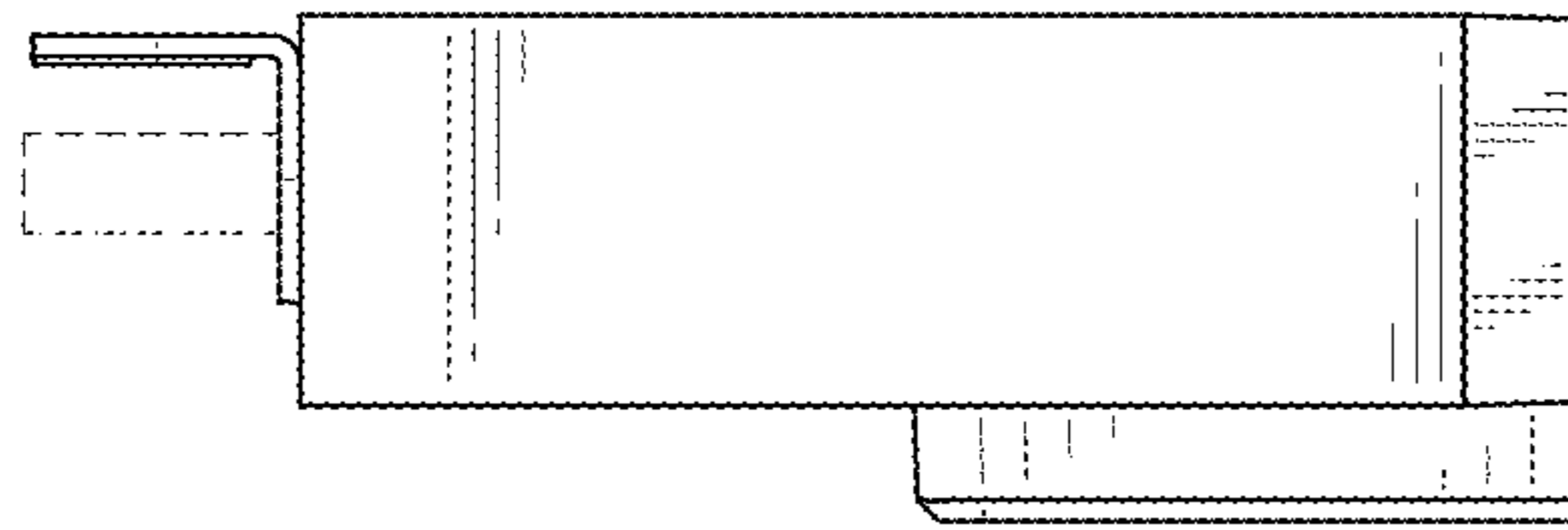


FIG. 7

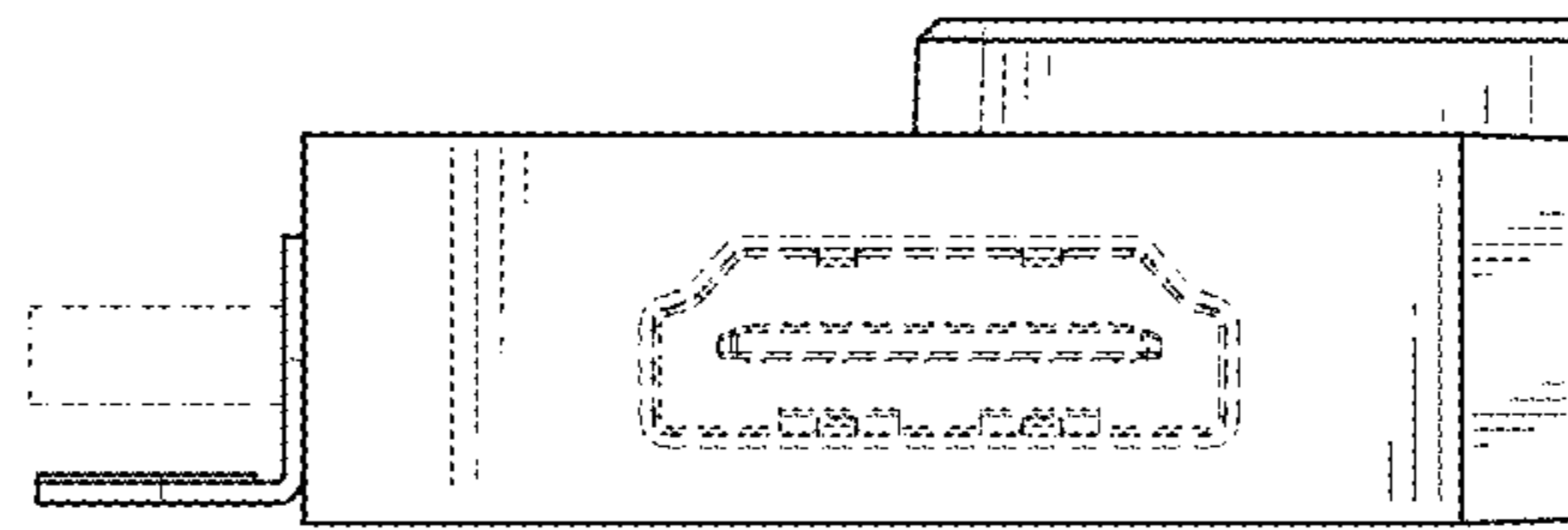


FIG. 8