



US00D864965S

(12) **United States Design Patent**
Sang

(10) **Patent No.:** **US D864,965 S**

(45) **Date of Patent:** **** Oct. 29, 2019**

(54) **USB-C DOCKING STATION**

(71) Applicant: **Shenzhen Qianhai Huajinkangbei Technology Co., Ltd., Shenzhen (CN)**

(72) Inventor: **Qingdong Sang, Shenzhen (CN)**

(73) Assignee: **SHENZHEN QIANHAI HUAJINKANGBEI TECHNOLOGY CO., LTD., Shenzhen (CN)**

(**) Term: **15 Years**

(21) Appl. No.: **29/664,037**

(22) Filed: **Sep. 20, 2018**

(51) **LOC (12) Cl.** **14-02**

(52) **U.S. Cl.**
USPC **D14/434; D14/357; D14/433**

(58) **Field of Classification Search**
USPC ... D14/434, 433, 435, 435.1, 356, 357, 358, D14/440, 447, 251-253, 432, 451, 452, D14/454, 140, 142, 149, 217, 240, 299, D14/496, 171; D13/103, 107, 108, 118, D13/119, 184, 110, 123, 133, 135; D21/333

CPC G06F 1/1616; G06F 1/1626; G06F 1/1632; G06F 1/1688; G06F 13/00; G06F 13/38; G06F 13/382; G06F 13/385; G06F 13/387; G06F 3/023; G06F 3/0658; G06F 9/541; G06F 2213/40; G06F 2213/4004; H01R 31/06; H01R 31/065; H01R 27/00; H04R 5/04

See application file for complete search history.

(56) **References Cited**

U.S. PATENT DOCUMENTS

- D363,064 S * 10/1995 Rogov D14/433
- D396,706 S * 8/1998 Rao D14/433
- D443,860 S * 6/2001 Ogasawara D13/146
- D559,848 S * 1/2008 Siu D14/433
- D559,849 S * 1/2008 Siu D14/433

- D591,270 S * 4/2009 Jakobson D14/217
- D601,961 S * 10/2009 Mahaffey D13/110
- D664,146 S * 7/2012 Hoehn D14/433
- D682,199 S * 5/2013 Rautiainen D13/108
- 8,512,079 B2 * 8/2013 Vroom H01R 13/512
361/679.45

(Continued)

OTHER PUBLICATIONS

Docking stations. (Design—© Questel) orbit.com. [online PDF] 27 pgs. Print Dates range Dec. 29, 2015 through Jun. 18, 2019. [Retrieved on Aug. 18, 2019] <https://sobjprd.questel.fr/export/QPTUJ214/pdf2/9712ed4d-b1c9-4f35-818a-295a35f1bcbb-063606.pdf>.*

Primary Examiner — Marie D. Fast Horse

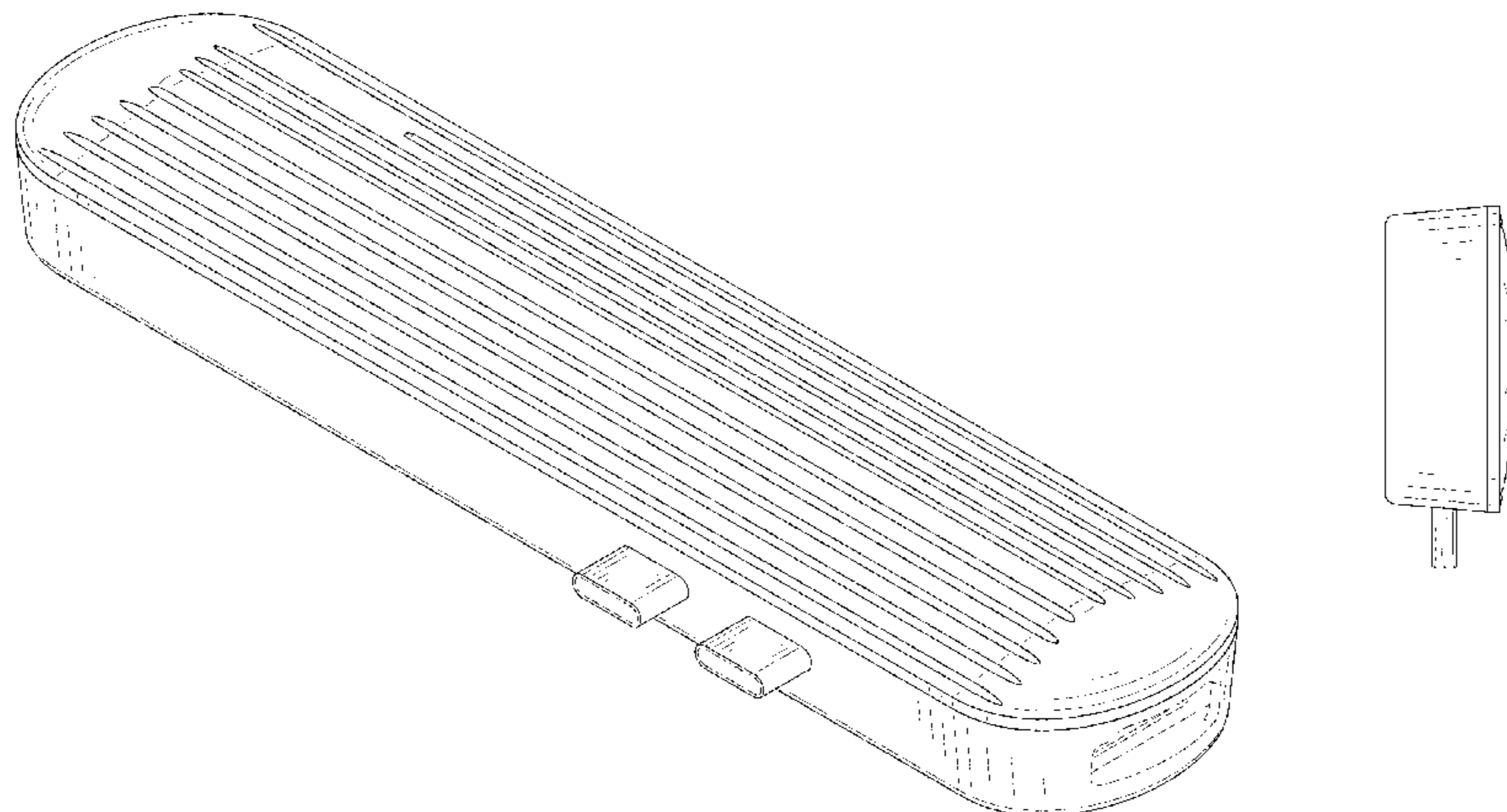
(57) **CLAIM**

The ornamental design for a USB-C docking station, as shown and described.

DESCRIPTION

FIG. 1 is a perspective view of the USB-C docking station showing my new design;
FIG. 2 is another perspective view thereof;
FIG. 3 is a front elevational view thereof;
FIG. 4 is a rear elevational view thereof;
FIG. 5 is a left side elevational view thereof;
FIG. 6 is a right side elevational view thereof;
FIG. 7 is a top plan view thereof;
FIG. 8 is a bottom plan view thereof;
FIG. 9 is an enlarged view of a circle portion 9 of FIG. 2; and,
FIG. 10 is an enlarged view of a circle portion 10 of FIG. 7.
The broken lines in the drawings consisting of unevenly sized dashes depict reference to the enlargements as seen in FIGS. 9 and 10 and form no part of the claim; while all other broken lines in the drawings depict portions of the USB-C docking station that form no part of the claimed design.

1 Claim, 10 Drawing Sheets



(56)

References Cited

U.S. PATENT DOCUMENTS

D689,858 S *	9/2013	Lo	D14/357	D830,366 S *	10/2018	Turksu	D14/433
D705,721 S *	5/2014	Huang	D13/103	D836,640 S *	12/2018	Hou	D14/433
D711,318 S *	8/2014	Xinfang	D13/108	D841,010 S *	2/2019	Kong	D14/435.1
D743,883 S *	11/2015	Zhou	D13/108	D844,008 S *	3/2019	Yamazaki	D14/434
D750,083 S *	2/2016	Chow	D14/434	D844,618 S *	4/2019	Liao	D14/434
D776,659 S *	1/2017	Hou	D14/433	D851,033 S *	6/2019	Yuk	D13/108
D788,112 S *	5/2017	Liao	D14/433	D854,019 S *	7/2019	Liao	D14/434
D798,811 S *	10/2017	Liao	D13/110	D854,544 S *	7/2019	Liao	D14/434
D800,730 S *	10/2017	Liao	D14/433	D855,054 S *	7/2019	Turksu	D14/433
D803,833 S *	11/2017	He	D14/385	D855,616 S *	8/2019	Chin	D14/433
D807,290 S *	1/2018	Liao	D13/110	D856,278 S *	8/2019	Turksu	D13/108
D808,392 S *	1/2018	Bo	D14/433	2003/0148656 A1 *	8/2003	Huang	H01R 13/6658
D813,875 S *	3/2018	Liao	D14/434				439/501
D815,639 S *	4/2018	Lau	D14/433	2003/0216069 A1 *	11/2003	Huang	G06F 1/266
D821,393 S *	6/2018	Matsumiya	D14/357				439/105
D825,557 S *	8/2018	Matsumiya	D14/357	2006/0085584 A1 *	4/2006	Chen	G06F 1/1632
D828,355 S *	9/2018	Xie	D14/433				710/303
D828,839 S *	9/2018	Zhang	D14/433	2007/0212145 A1 *	9/2007	Chu	G06F 1/1632
D828,840 S *	9/2018	Zhang	D14/433				400/76
D828,841 S *	9/2018	Zhang	D14/433	2015/0054336 A1 *	2/2015	Xinfang	B60R 16/033
							307/9.1

* cited by examiner

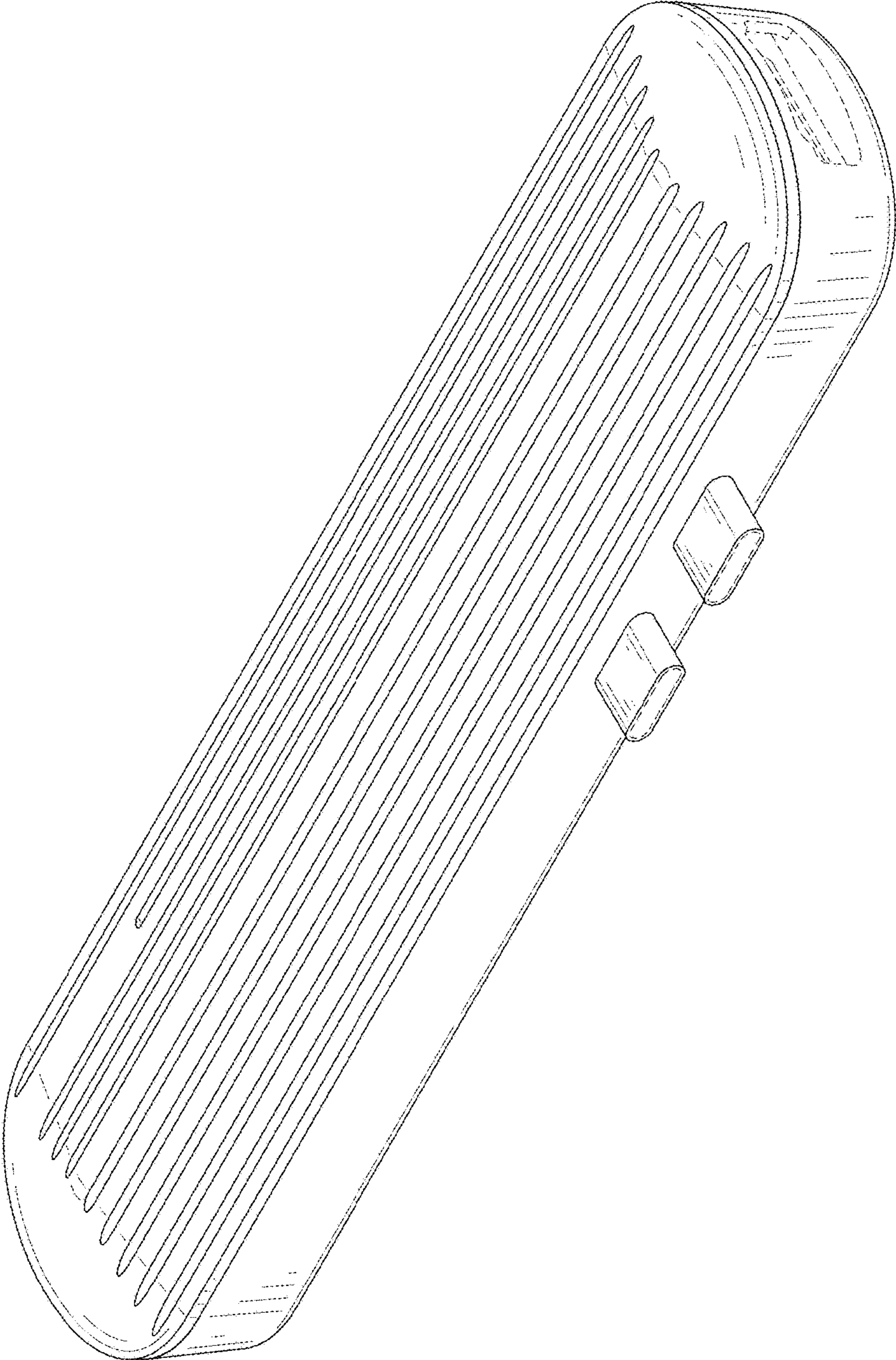


FIG. 1

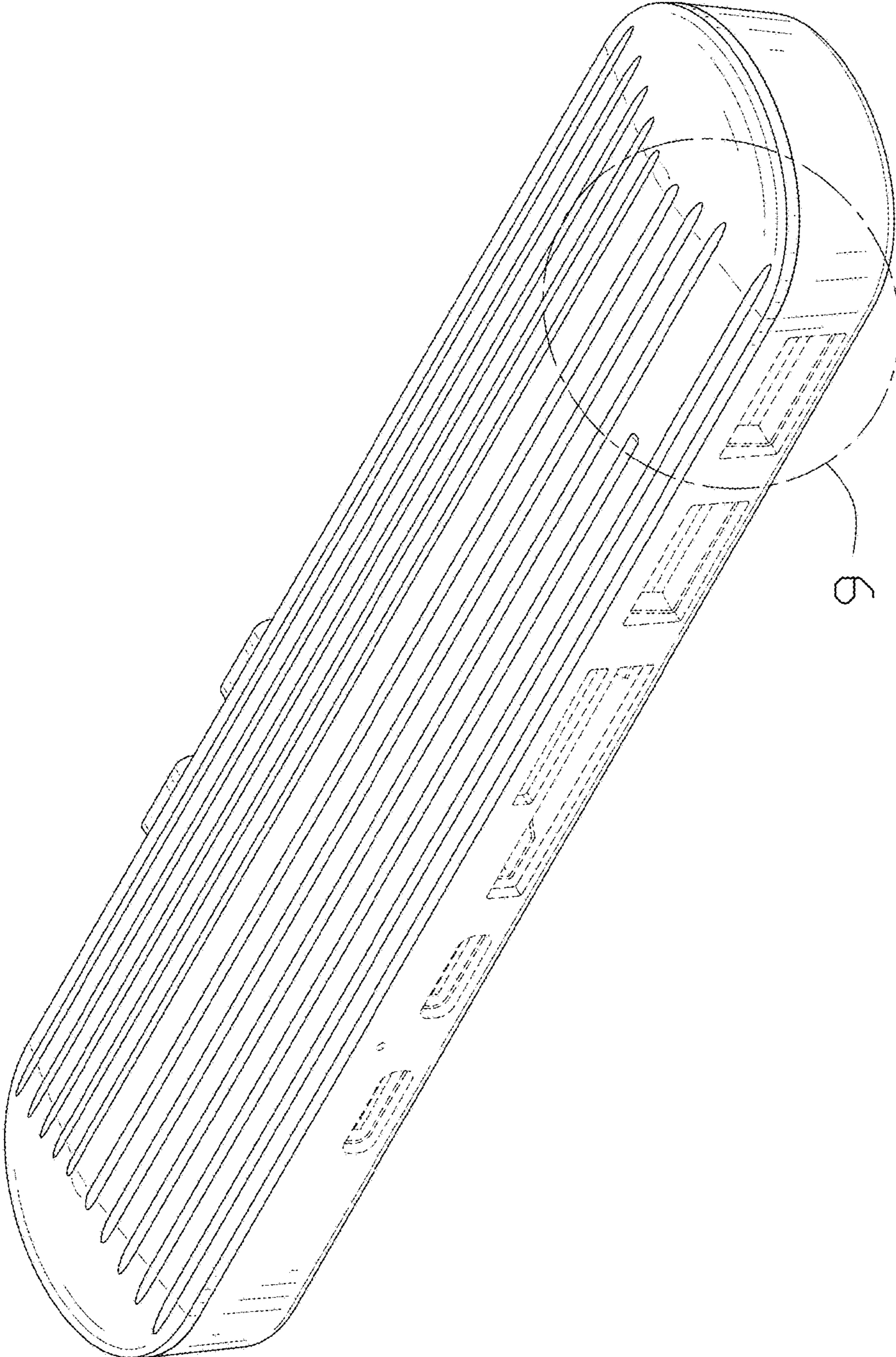


FIG. 2

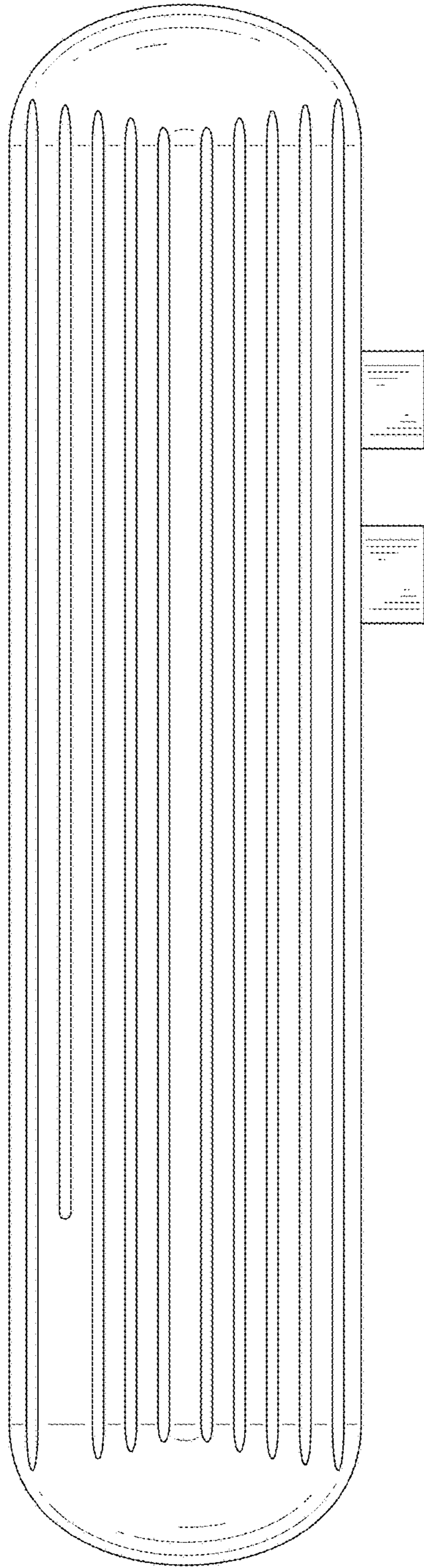


FIG. 3

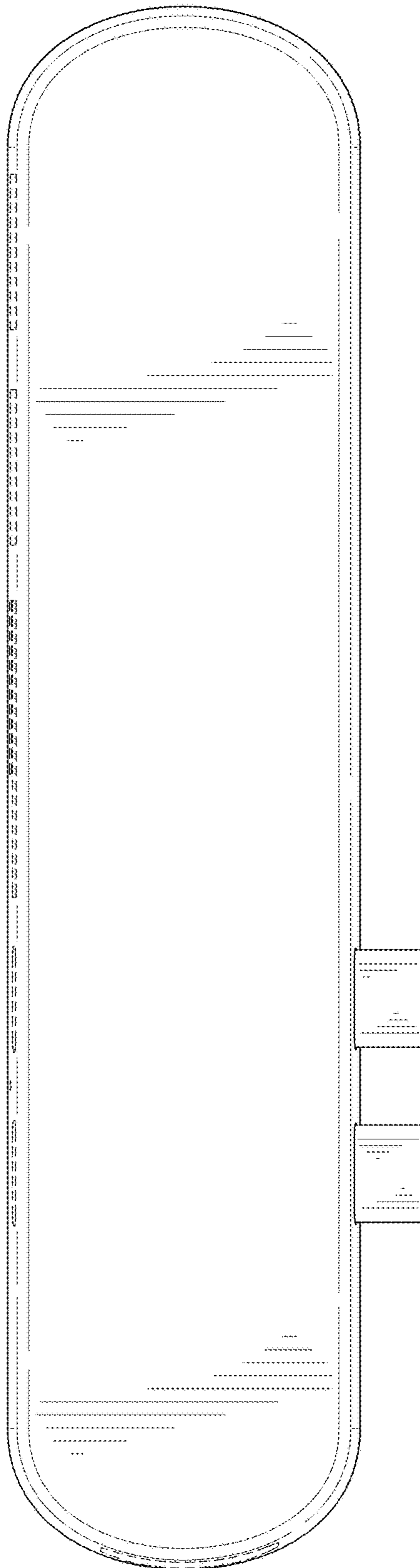


FIG. 4

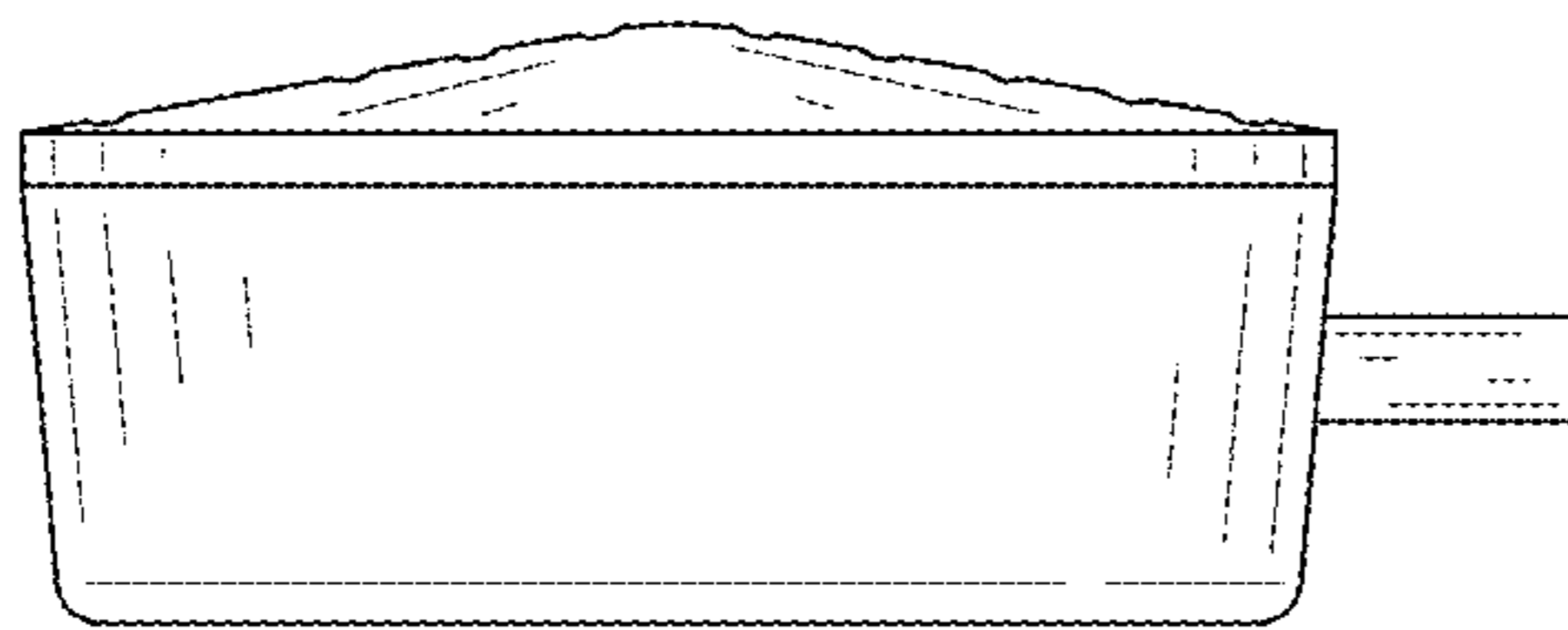


FIG. 5

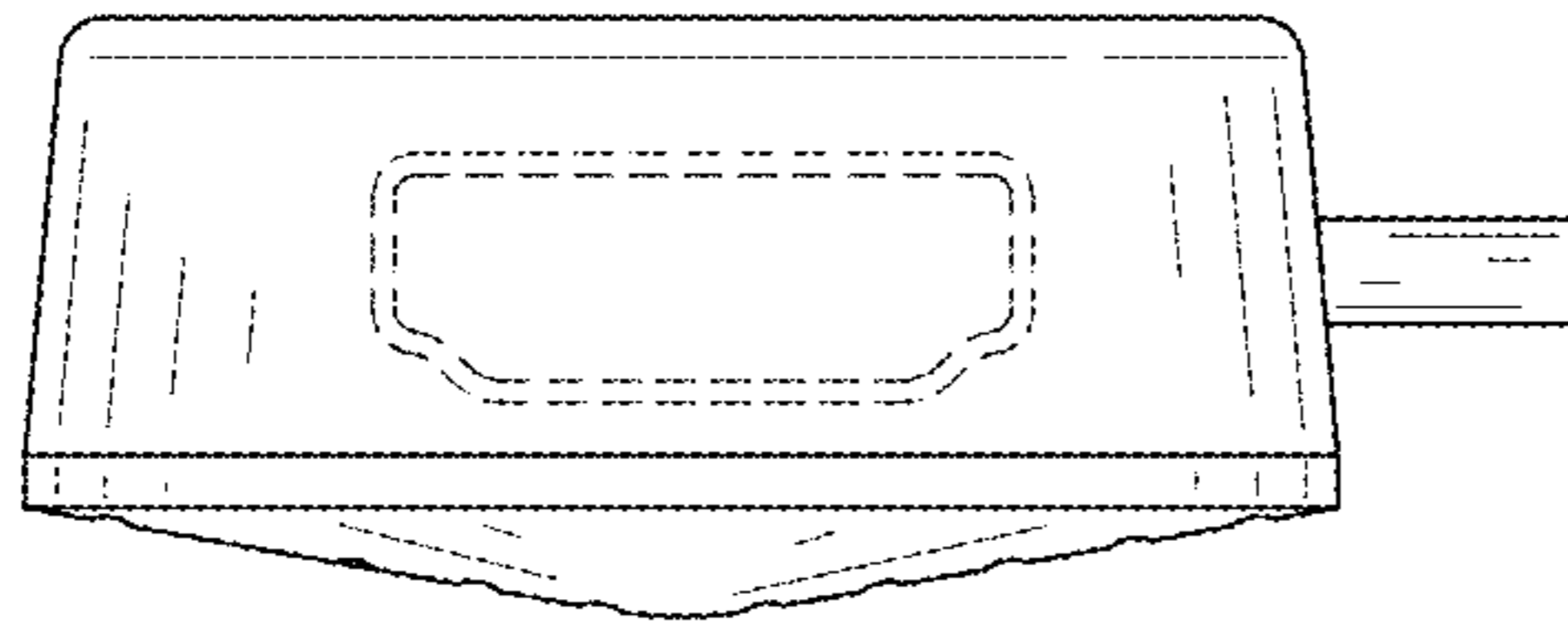


FIG. 6

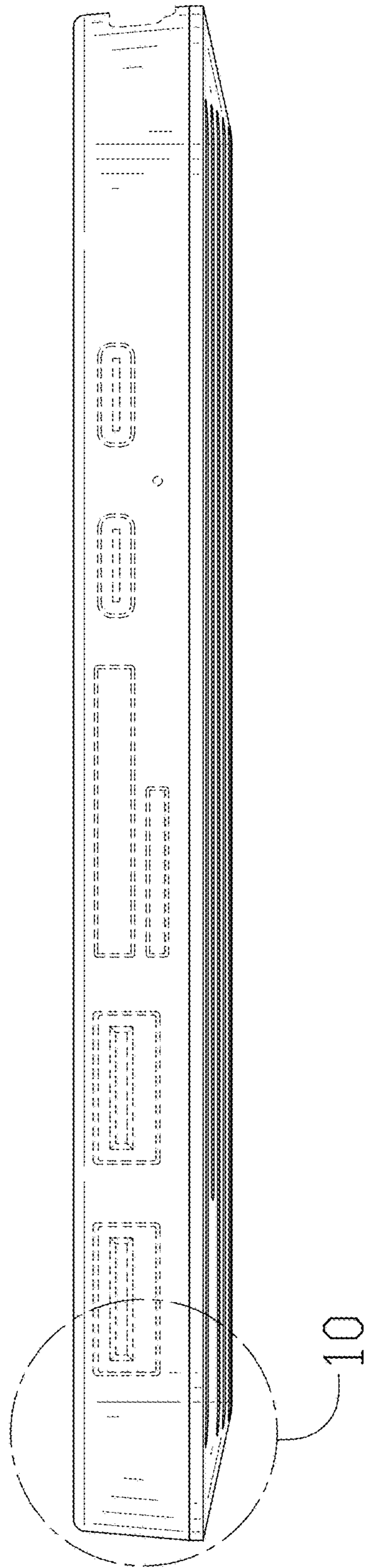


FIG. 7

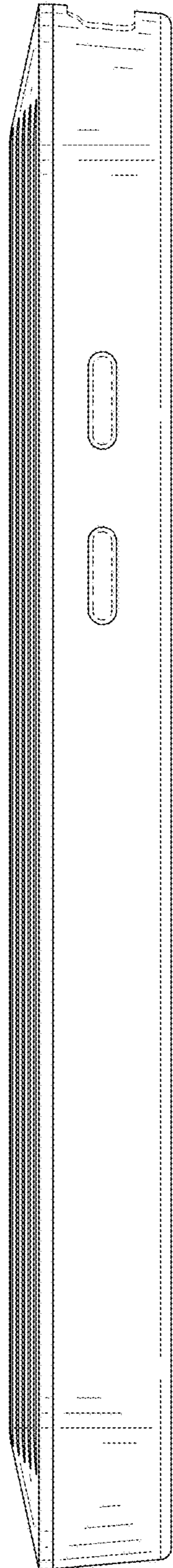


FIG. 8

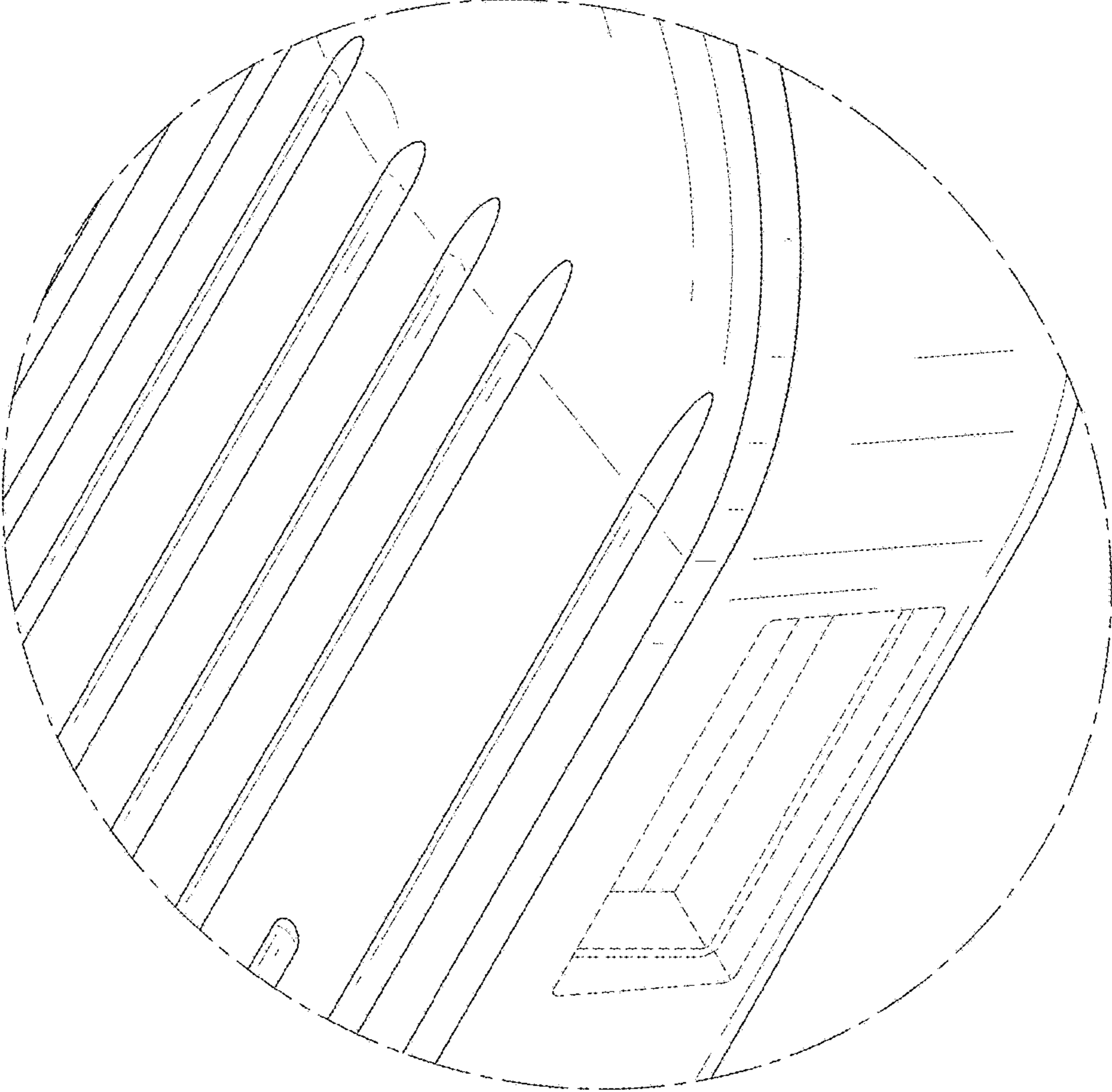


FIG. 9

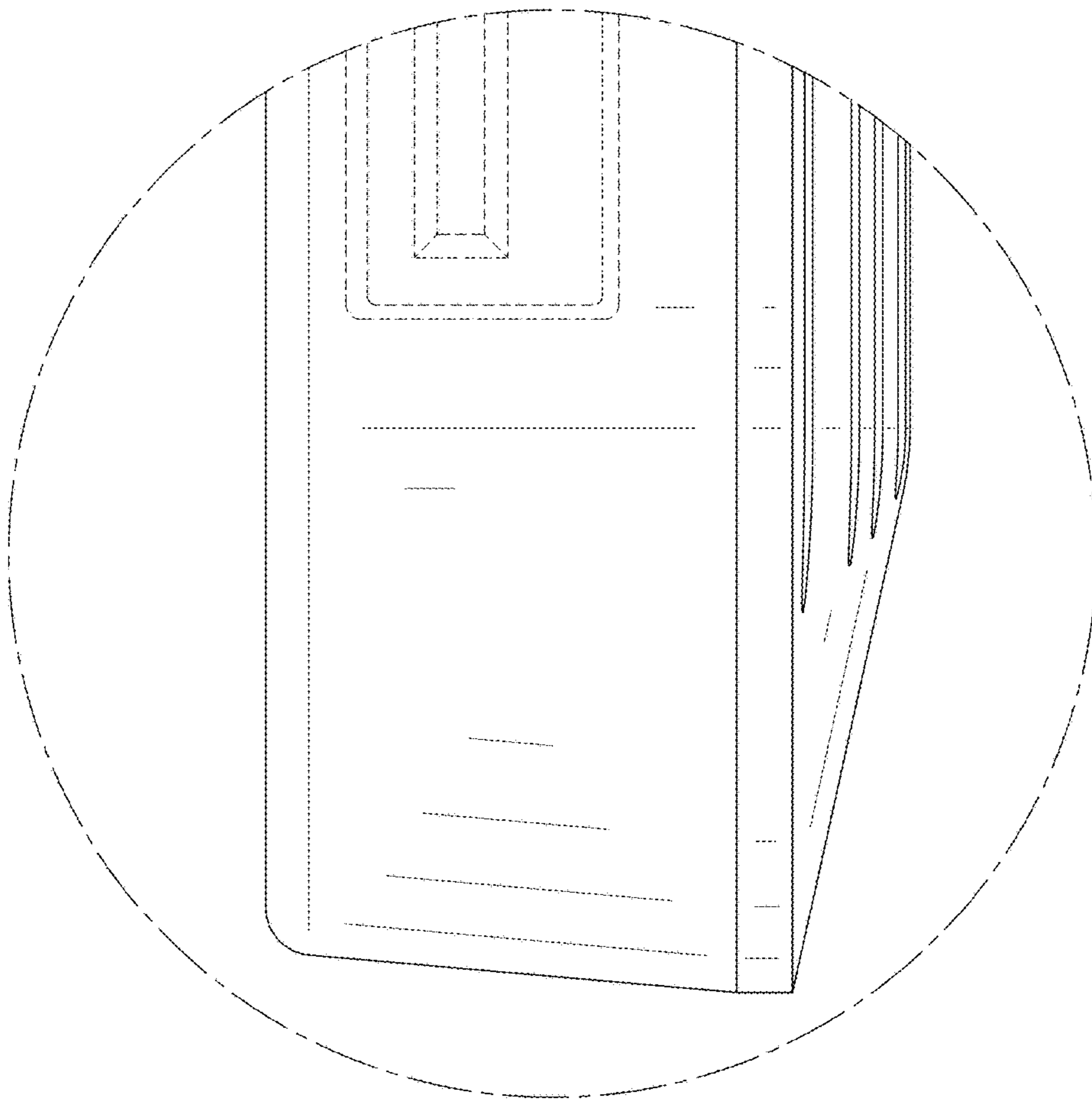


FIG. 10