



US00D864962S

(12) **United States Design Patent** (10) **Patent No.:** **US D864,962 S**  
**Jhun et al.** (45) **Date of Patent:** **\*\* Oct. 29, 2019**

(54) **MEDIA CONNECTOR MODULE FOR A TABLETOP MEDIA CENTER**

(71) Applicant: **Crestron Electronics, Inc.**, Rockleigh, NJ (US)

(72) Inventors: **Sae Jhun**, Bayside, NY (US); **Wendy Feldstein**, Old Tappan, NJ (US); **Edward Joy**, Carmel, NY (US)

(73) Assignee: **Crestron Electronics, Inc.**, Rockleigh, NJ (US)

(\*\*) Term: **15 Years**

(21) Appl. No.: **29/628,644**

(22) Filed: **Dec. 6, 2017**

(51) **LOC (12) Cl.** ..... **14-02**

(52) **U.S. Cl.**  
USPC ..... **D14/432**

(58) **Field of Classification Search**  
USPC ..... D14/300–302, 308–313, 314, 348, D14/353–355, 432, 439–446, 240; 361/679.02, 679.31, 679.5, 690, 694, 361/679.23, 801, 802; 312/332.1, 334.1; D13/162; D10/50  
CPC ..... A45C 11/00; A45C 2011/003; B60R 11/0241; B60R 11/0252; F16M 13/00; F16M 11/00  
See application file for complete search history.

(56) **References Cited**

**U.S. PATENT DOCUMENTS**

D279,892 S *	7/1985	Brockway	.....	D13/164
6,046,405 A	4/2000	Obermann et al.		
6,162,071 A	12/2000	Muller		
D460,736 S	7/2002	Pincek et al.		
D465,201 S	11/2002	Gershfeld		
D471,912 S *	3/2003	Camarota	.....	D14/432
D473,525 S	4/2003	Pincek et al.		
6,802,577 B2	10/2004	Gershfeld		
6,942,501 B2	9/2005	Kissinger et al.		

(Continued)

**OTHER PUBLICATIONS**

AMX, HydraPort: Connecting the Perfect Meeting, Product Guide, Rev. V3 (Sep. 8, 2014), available at pdf.archiexpo.com/pdf/amx/hydraport/51274-177337.html.

(Continued)

*Primary Examiner* — Austin Murphy  
(74) *Attorney, Agent, or Firm* — Crestron Electronics, Inc.

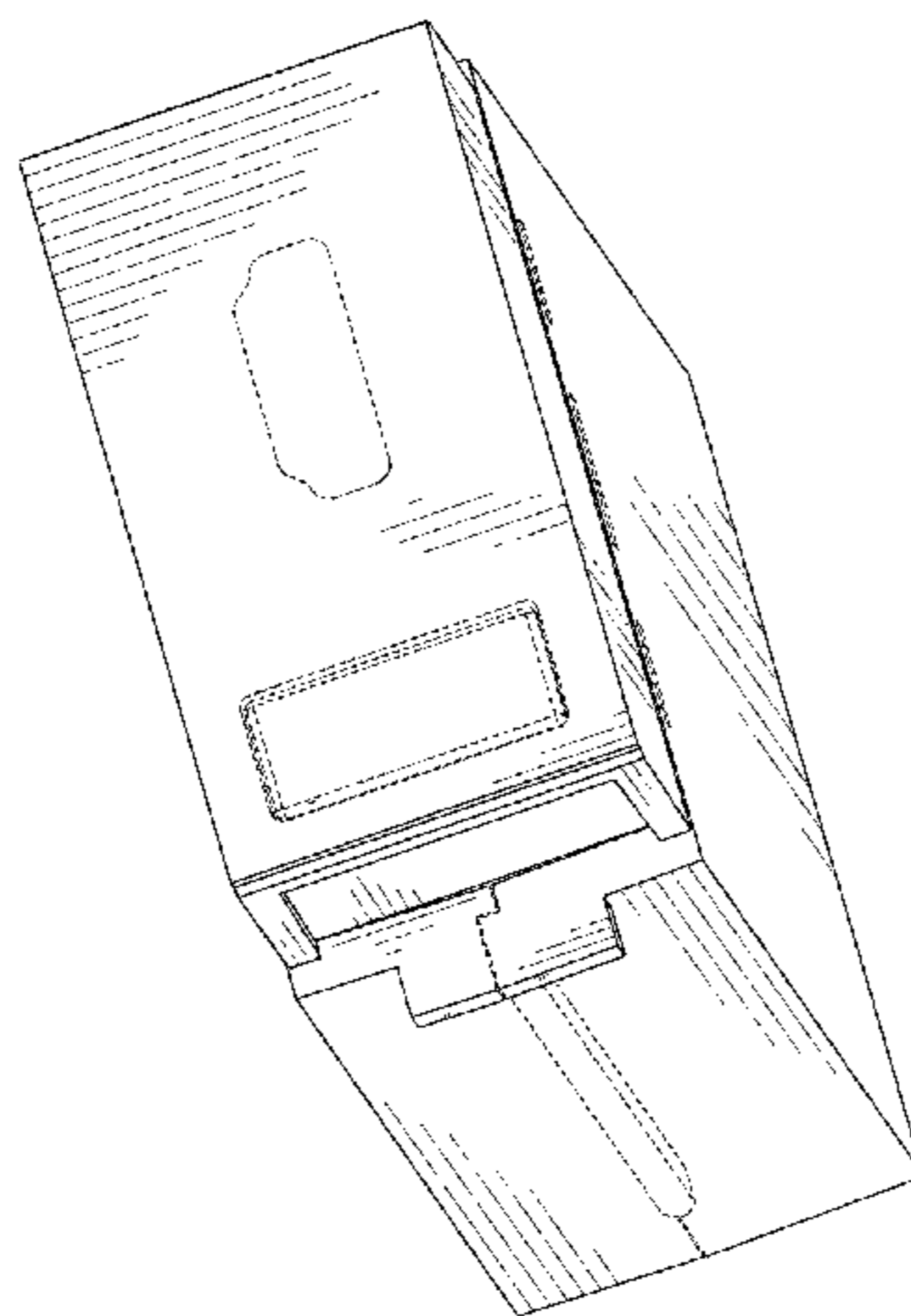
(57) **CLAIM**

The ornamental design for a media connector module for a tabletop media center, as shown and described.

**DESCRIPTION**

FIG. 1 shows a top perspective view of a media connector module for a tabletop media center.  
FIG. 2 shows a top view of the media connector module for a tabletop media center.  
FIG. 3 shows a front view of the media connector module for a tabletop media center.  
FIG. 4 shows a rear view of the media connector module for a tabletop media center.  
FIG. 5 shows a left side view of the media connector module for a tabletop media center.  
FIG. 6 shows a right side view of the media connector module for a tabletop media center; and,  
FIG. 7 shows a top perspective view of two side by side media connector modules for a tabletop media center, wherein the tabletop media center shown in broken lines illustrates the environment in which the design is used and forms no part of the claimed design.  
The broken lines in the figures depict portions of the media connector module for a tabletop media center that form no part of the claimed design, including an HDMI port in FIGS. 1, 2, and 7, and a DisplayPort in FIG. 7.

**1 Claim, 7 Drawing Sheets**



(56)

References Cited

U.S. PATENT DOCUMENTS

D512,964	S	12/2005	Kissinger et al.	
D513,493	S	1/2006	Feldstein et al.	
D516,513	S	3/2006	Kissinger et al.	
D526,961	S	8/2006	Kissinger et al.	
D537,039	S	2/2007	Pincek	
D537,785	S	3/2007	Pincek	
7,312,393	B2	12/2007	McCarthy et al.	
D569,863	S	5/2008	Feldstein et al.	
7,414,193	B1	8/2008	Le	
7,541,539	B2	6/2009	Le	
7,667,145	B2	2/2010	Dinh et al.	
D626,542	S	11/2010	Libman et al.	
D628,097	S	11/2010	Libman et al.	
D628,098	S	11/2010	Libman et al.	
D628,099	S	11/2010	Libman et al.	
D638,314	S	5/2011	Libman et al.	
D638,315	S	5/2011	Libman et al.	
D639,680	S	6/2011	Libman et al.	
D639,681	S	6/2011	Rodriguez et al.	
D640,577	S	6/2011	Libman et al.	
D640,939	S	7/2011	Libman et al.	
D640,940	S	7/2011	Libman et al.	
7,989,710	B2	8/2011	Hansen et al.	
D657,315	S	4/2012	Feldstein et al.	
D664,050	S	7/2012	Rodriguez et al.	
D678,786	S	3/2013	Rodriguez et al.	
D686,992	S	7/2013	Eisen	
8,943,978	B2	2/2015	Soper et al.	
D734,729	S	7/2015	Chaloupecky et al.	
9,257,776	B2	2/2016	Kramer	
9,309,087	B2	4/2016	Laube et al.	
9,425,563	B2	8/2016	Laube et al.	
9,553,413	B2	1/2017	Laube et al.	
9,680,262	B2	6/2017	Laube et al.	
9,706,833	B2	7/2017	Newhouse et al.	
D830,364	S *	10/2018	Jhun	D14/432
D831,655	S *	10/2018	Jhun	D14/432
D831,656	S *	10/2018	Jhun	D14/432
D832,257	S *	10/2018	Jhun	D14/432
D832,258	S *	10/2018	Jhun	D14/432
D832,259	S *	10/2018	Jhun	D14/432
2003/0070592	A1	4/2003	Grasse et al.	
2009/0165679	A1	7/2009	Bakker et al.	
2014/0265753	A1	9/2014	Gershfeld et al.	
2014/0374531	A1	12/2014	Laube et al.	
2017/0093097	A1	3/2017	Laube et al.	

OTHER PUBLICATIONS

Arthur Holm, Albiral Display Solutions SL, Catalog, EN2016-2017, available at [www.arthurholm.com/wp-content/uploads/2017/03/AH\\_Catalogue\\_2017.pdf](http://www.arthurholm.com/wp-content/uploads/2017/03/AH_Catalogue_2017.pdf).

Bachmann Electrical Engeneering Ltd., Facility Solutions, System solutions for Office, conference and meeting rooms, Jun. 2016, availble at [genproel-el.gr/data/documents/2017.pdf](http://genproel-el.gr/data/documents/2017.pdf).

Crestron, Crestron FlipTops, D4520-C\_201410, 2014, available at [www.crestron.com/downloads/pdf/product\\_brochures/crestron\\_fliptops\\_brochure.pdf](http://www.crestron.com/downloads/pdf/product_brochures/crestron_fliptops_brochure.pdf).

Extron, Cable Cubby 202, 2014, available at [www.extron.com/download/files/brochure/CC\\_202\\_Printable\\_A4.pdf](http://www.extron.com/download/files/brochure/CC_202_Printable_A4.pdf).

Extron, Cable Cubby 500, 2014, available at [www.extron.com/download/files/brochure/CC\\_500\\_Printable\\_A4.pdf](http://www.extron.com/download/files/brochure/CC_500_Printable_A4.pdf).

Extron, Cable Cubby 700, 2014, available at [www.extron.com/download/files/brochure/CC\\_700\\_Printable\\_A4.pdf](http://www.extron.com/download/files/brochure/CC_700_Printable_A4.pdf).

Extron, Cable Cubby 1200, 2014, available at [www.extron.com/download/files/brochure/CC\\_1200\\_Printable\\_letter\\_size.pdf](http://www.extron.com/download/files/brochure/CC_1200_Printable_letter_size.pdf).

Extron, Cable Cubby 1400, 2014, available at [www.extron.com/download/files/brochure/CC\\_1400\\_Printable\\_letter\\_size.pdf](http://www.extron.com/download/files/brochure/CC_1400_Printable_letter_size.pdf).

Extron, Cable Cubby Series 2, Mar. 2016, 68-2604-01, Rev. C, available at [www.extron.com/download/files/brochure/cable\\_cubby\\_series\\_2\\_verA4.pdf](http://www.extron.com/download/files/brochure/cable_cubby_series_2_verA4.pdf).

Extron Catalog, AAP—Architectural Adapter Plates, 2012 Product Catalog, available at [www.extron.com/download/files/general/aaps\\_12cat\\_en.pdf](http://www.extron.com/download/files/general/aaps_12cat_en.pdf).

FSR Inc., T6 Flex, LIT1434A, 2015, available at [fsrinc.com/documents/spec-sheet/9187-lit1434c-t6-flex-spec-sheet-pdf/file](http://fsrinc.com/documents/spec-sheet/9187-lit1434c-t6-flex-spec-sheet-pdf/file).

FSR Inc., Table Boxes, LIT1187H, 2014, available at [www.novotech.com.mx/wp-content/uploads/2016/03/1187H-Table-Box-Brochure.pdf](http://www.novotech.com.mx/wp-content/uploads/2016/03/1187H-Table-Box-Brochure.pdf).

Herman Miller, Inc., Logic Power Access Solutions, 2015, available at [www.hermanmiller.com/content/dam/hermanmiller/documents/product\\_literature/product\\_sheets/Logic\\_Power\\_Access\\_Solutions\\_product\\_sheet.pdf](http://www.hermanmiller.com/content/dam/hermanmiller/documents/product_literature/product_sheets/Logic_Power_Access_Solutions_product_sheet.pdf).

Extron Electronics, “Hideaway” Family Brochure, 2002.

Extron Electronics, Extron® Hideaway Series Brochure, 2002.

Kramer Electronics Ltd., K-Able/XL Box Cable Retractor, User Manual, P/N: 2900-300441 Rev 3, 2015, available at [k.kramerav.com/downloads/manuals/k-able\\_xl\\_box.pdf](http://k.kramerav.com/downloads/manuals/k-able_xl_box.pdf).

Kindermann, MultiMedia connection sytems, 2014, available at [www.kindermann.de/fileadmin/medien/printmedien/MultiMedia\\_connection\\_systems/GB/MultiMedia\\_connection\\_systems\\_GB.pdf](http://www.kindermann.de/fileadmin/medien/printmedien/MultiMedia_connection_systems/GB/MultiMedia_connection_systems_GB.pdf).

Legrand, Wiremold® AVIP Series Device Plates, ED1670R3—Updated Jan. 2015, available at [www.legrand.us/wiremold.aspx](http://www.legrand.us/wiremold.aspx).

Legrand, Wiremold®, DeQuorum™ Flip-Up Table Boxes, ED1755 0715, 2015, available at [www.middleatlantic.com](http://www.middleatlantic.com).

Legrand, Wiremold® Table Boxes, Table Boxes bring technology to the point-of-use, ED1706R5—Updated Mar. 2016 , available at [www.legrand.us/wiremold.aspx](http://www.legrand.us/wiremold.aspx).

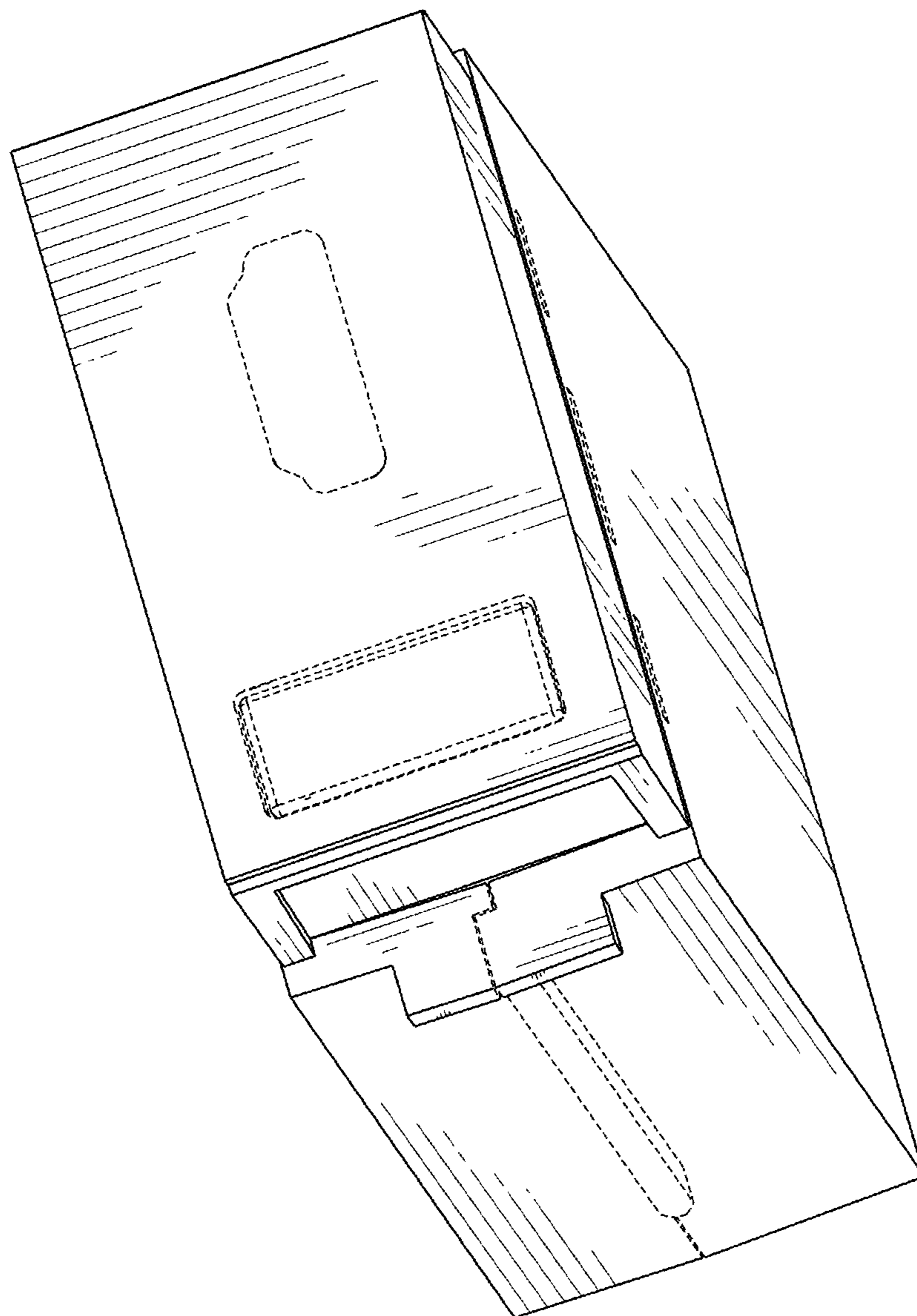
Legrand, wiremold®, InteGreat™ A/V Table Box, ED1699R1 0913, 2013, available at [www.legrand.us/wiremold.aspx](http://www.legrand.us/wiremold.aspx).

Legrand, wiremold®, Meeting Room Solutions, ED1710, 2013, available at [www.legrand.us/wiremold.aspx](http://www.legrand.us/wiremold.aspx).

Legrand, wiremold® Table Boxes, ED1652R3—Updated Apr. 2016, available at [www.legrand.us/wiremold.aspx](http://www.legrand.us/wiremold.aspx).

Soltec, LCD-TFT Solutions, 2015, available at [dvs.rs/wp-content/uploads/2017/07/ENGLISH-SOLTEC-CATALOGUE.pdf](http://dvs.rs/wp-content/uploads/2017/07/ENGLISH-SOLTEC-CATALOGUE.pdf).

\* cited by examiner



*FIG. 1*

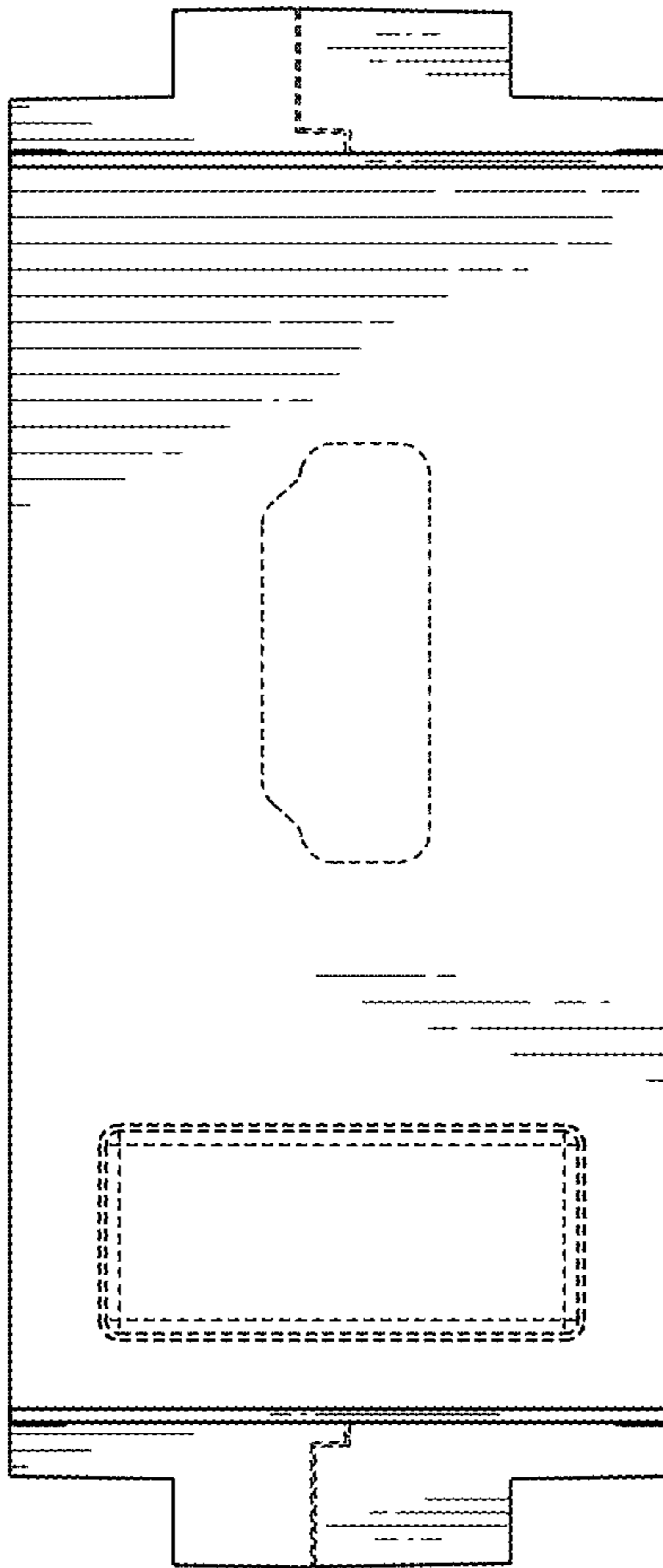


FIG. 2

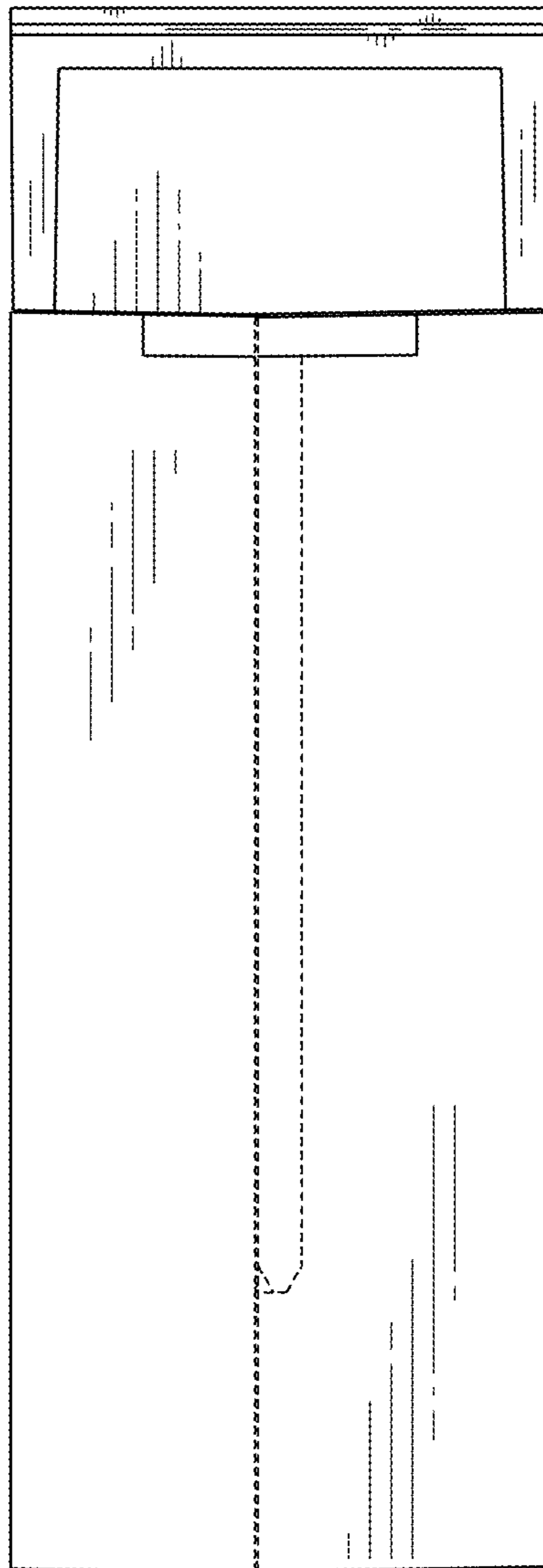


FIG. 3

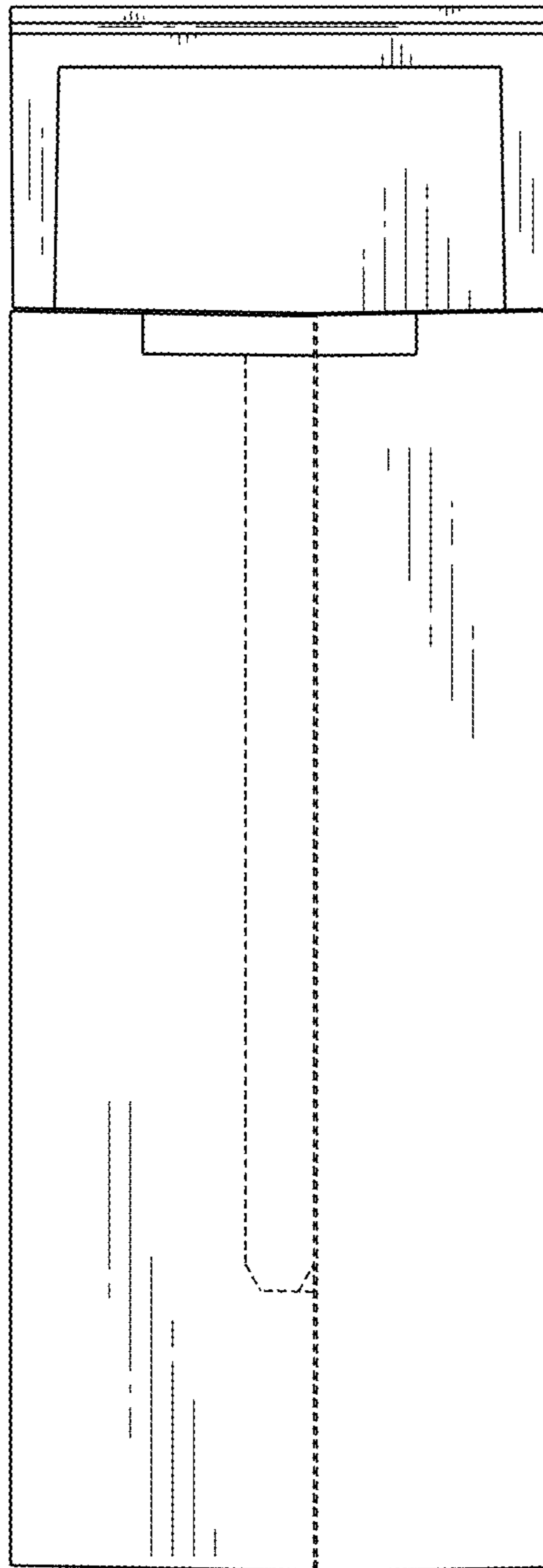


FIG. 4

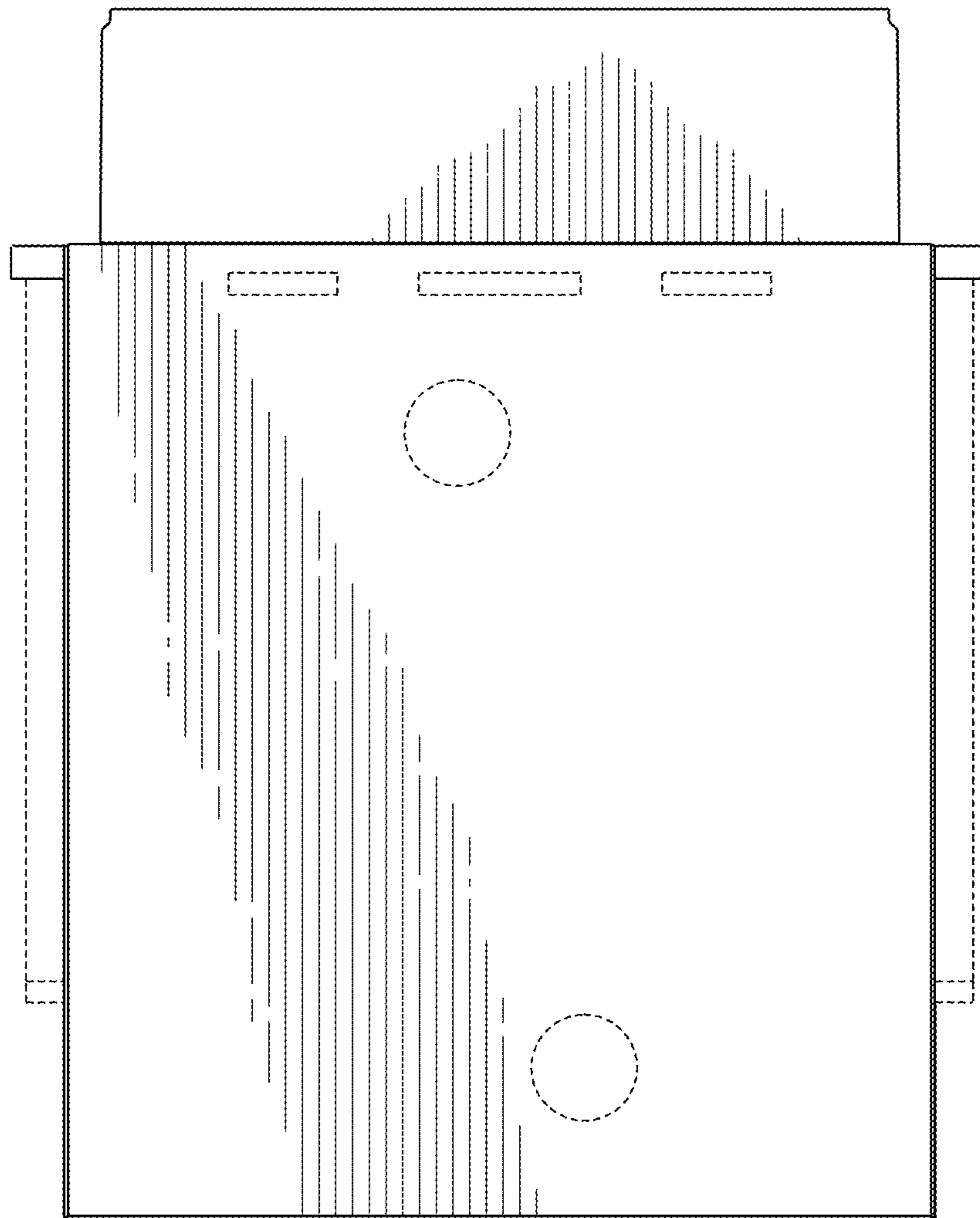


FIG. 5

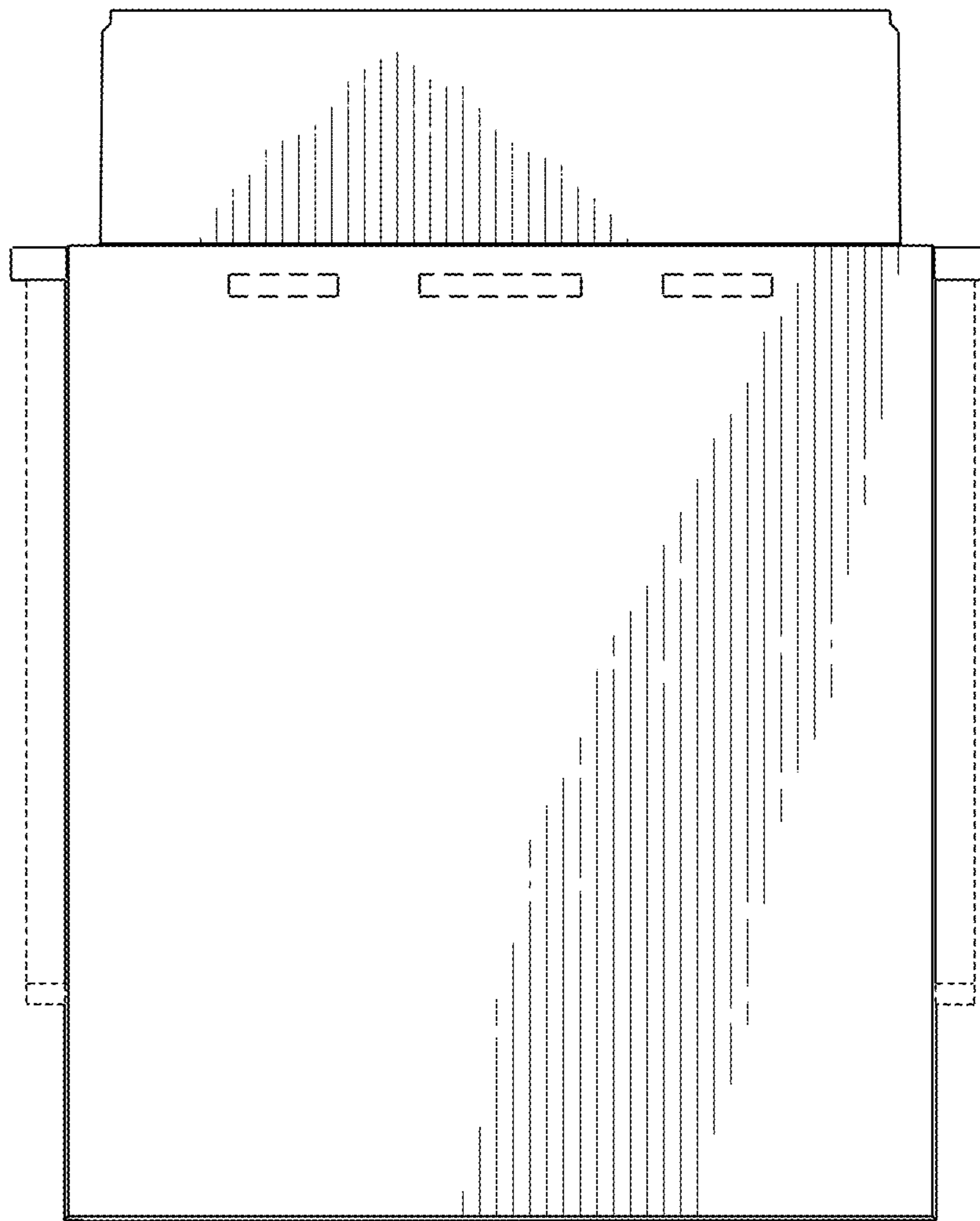


FIG. 6



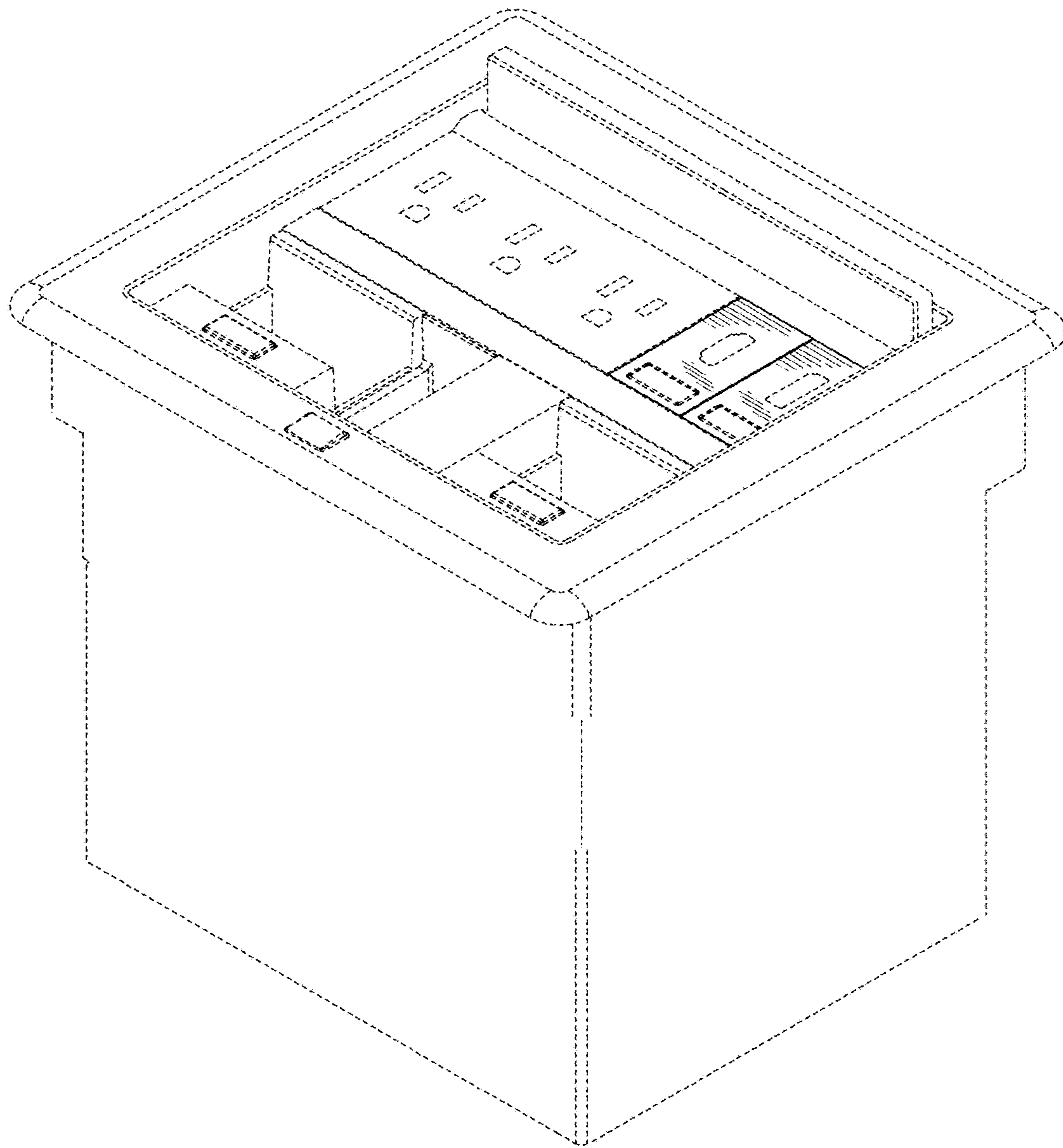


FIG. 7