



US00D864956S

(12) **United States Design Patent** (10) **Patent No.:** **US D864,956 S**
Kern et al. (45) **Date of Patent:** **** Oct. 29, 2019**

(54) **SMART WATCH WITH HEALTH MONITOR SENSOR**

(56) **References Cited**

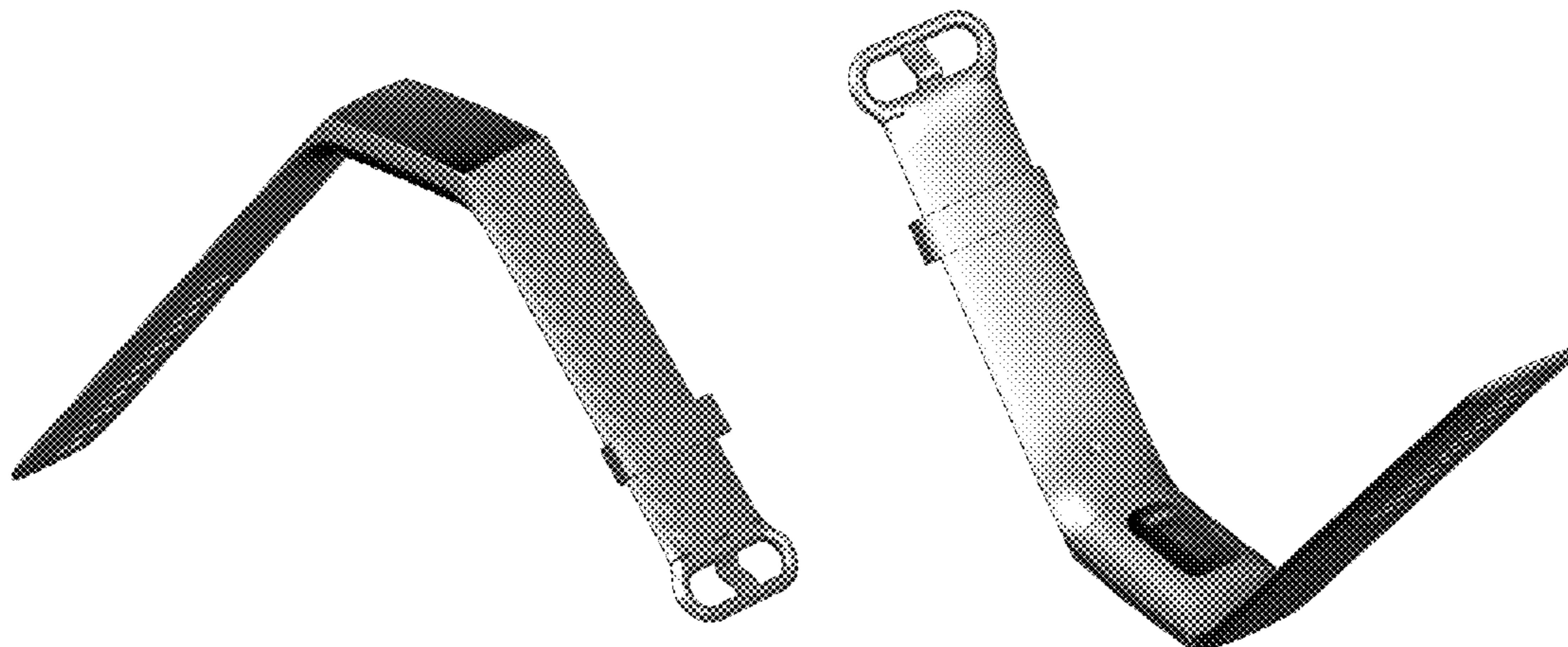
- (71) Applicant: **Fitbit, Inc.**, San Francisco, CA (US)
- (72) Inventors: **Anthony Gerald Kern**, Pleasant Hill, CA (US); **Derek Jenchia Loh**, San Carlos, CA (US); **Benjamin Patrick Robert Jean Riot**, San Francisco, CA (US); **Irina Igorevna Kozlovskaya**, San Francisco, CA (US); **Bernhard Wildner**, San Francisco, CA (US); **Jeffrey Andrew Fisher**, Mountain View, CA (US)
- (73) Assignee: **FITBIT, INC.**, San Francisco, CA (US)
- (**) Term: **15 Years**
- (21) Appl. No.: **29/663,375**
- (22) Filed: **Sep. 14, 2018**

U.S. PATENT DOCUMENTS

1,709,179 A	4/1929	Lederer
4,106,677 A	8/1978	Helmso et al.
D259,626 S	6/1981	Wada
D261,733 S	11/1981	Iida
D264,946 S	6/1982	Hirabayashi
D265,063 S	6/1982	Iida
D265,295 S	7/1982	Wada
D267,548 S	1/1983	Wada
D269,767 S	7/1983	Houlihan et al.
D269,951 S	8/1983	Eberhardt et al.
4,417,821 A	11/1983	Herchenbach
D278,685 S	5/1985	Suzuki et al.
D383,073 S	9/1997	Miller
6,738,317 B2	5/2004	Nussbaum
D528,439 S	9/2006	Burton
D528,928 S	9/2006	Burton
D536,265 S	2/2007	Reynoso
D548,129 S	8/2007	Fineide
D566,582 S	4/2008	Genender et al.
D589,375 S	3/2009	Tang
7,575,368 B2	8/2009	Guillaume
D615,427 S	5/2010	Au Yeung
D621,808 S	8/2010	Kim
D628,498 S	12/2010	Arellano
D632,984 S	2/2011	Register et al.
D636,686 S	4/2011	Cobbett et al.
D637,097 S	5/2011	Tseng
D638,725 S	5/2011	Morrison
D638,736 S	5/2011	Cobbett et al.
D645,360 S	9/2011	Kiser et al.
D667,126 S	9/2012	Cho et al.
8,275,327 B2	9/2012	Yi et al.
D672,255 S	12/2012	Zanella et al.
D699,131 S	2/2014	Marshall et al.
D703,069 S	4/2014	Adams et al.
D715,167 S	10/2014	Busse
D717,956 S	11/2014	Alexander et al.
D719,123 S	12/2014	Park et al.
D720,074 S	12/2014	Suvilaakso et al.
D721,701 S	1/2015	Al-Nasser
8,942,070 B1	1/2015	Shah
8,954,135 B2	2/2015	Yuen et al.
D724,468 S	3/2015	Tan et al.
D724,469 S	3/2015	Akana et al.
D724,556 S	3/2015	Choi et al.
D727,759 S	4/2015	Martinez et al.
9,004,329 B2	4/2015	Hsieh et al.
D728,562 S	5/2015	Park et al.
D728,624 S	5/2015	Akana et al.

Related U.S. Application Data

- (63) Continuation of application No. 29/632,224, filed on Jan. 29, 2018.
- (51) **LOC (12) Cl.** **14-02**
- (52) **U.S. Cl.**
USPC **D14/344**; D24/186
- (58) **Field of Classification Search**
USPC .. D14/138 R, 144, 341, 344, 358, 388, 218;
D10/30-39, 70, 98; D11/3, 4, 26, 93-94,
D11/78.1, 79, 86; D24/167, 169,
D24/186-187, 164
CPC A41D 1/002; A41D 19/0034; G06F 1/04;
G06F 1/08; G06F 1/10; G06F 1/14; G06F
1/1626; G06F 1/1628; G06F 1/163; G06F
1/1635; G06F 1/3203; G06Q 20/10;
G06Q 20/12; G06Q 20/108; G06Q
20/145; H04B 1/3833; H04B 1/385;
H04B 1/3888; H04M 1/02; H04M 1/03;
H04M 1/04; H04M 1/05; H04M 1/667;
H04M 1/6058; Y02B 60/1217
See application file for complete search history.



US D864,956 S

D729,237 S	5/2015	Fagnot		D805,929 S	12/2017	Akana et al.	
D729,651 S	5/2015	Nuovo et al.		D806,589 S	1/2018	Le Bihan et al.	
D729,653 S	5/2015	Nuovo et al.		D806,599 S	1/2018	Nielsen et al.	
D730,210 S	5/2015	Song		D807,765 S	1/2018	Akana et al.	
D730,211 S	* 5/2015	Behar	D10/70	D808,961 S	1/2018	Lee et al.	
D731,482 S	6/2015	Song		D808,962 S	1/2018	Wu	
D732,022 S	6/2015	Song		D809,144 S	1/2018	Wu	
D733,706 S	7/2015	Song		D809,414 S	2/2018	Komulainen	
D735,068 S	* 7/2015	Garcia Pla	D11/3	D809,509 S	2/2018	Bosveld et al.	
D735,191 S	7/2015	Song		D809,510 S	2/2018	Rochat et al.	
D735,710 S	8/2015	Song		D811,904 S	3/2018	White et al.	
D737,158 S	8/2015	Akana et al.		D812,497 S	3/2018	Kogen	
D737,159 S	8/2015	Akana et al.		D813,695 S	3/2018	Nielsen et al.	
D738,236 S	9/2015	Song		D814,643 S	4/2018	Mockler et al.	
D738,237 S	9/2015	Song		D816,668 S	5/2018	Wu	
D738,372 S	9/2015	Song		D817,784 S	5/2018	Swenson et al.	
D740,693 S	10/2015	Carmichael		D821,247 S	* 6/2018	Lean	D11/3
D741,726 S	10/2015	Akana et al.		D822,526 S	7/2018	Lean et al.	
D743,278 S	11/2015	Solomon et al.		10,038,361 B2	7/2018	Hajati et al.	
D743,820 S	11/2015	Song		D826,763 S	8/2018	Chuang	
9,189,023 B2	11/2015	Lim		D828,352 S	9/2018	Akana et al.	
D744,356 S	12/2015	Akana et al.		D829,123 S	9/2018	Nielsen et al.	
D745,421 S	12/2015	Akana et al.		D829,713 S	10/2018	Komulainen	
D745,515 S	12/2015	Solomon et al.		D831,643 S	* 10/2018	Son	D14/344
D747,313 S	1/2016	Song		D831,644 S	10/2018	Wu	
D749,569 S	2/2016	Ji et al.		D831,645 S	10/2018	Wu	
D750,622 S	3/2016	Chen et al.		D833,412 S	11/2018	Guan et al.	
D750,625 S	3/2016	Solomon et al.		D833,625 S	11/2018	Guan et al.	
D751,550 S	3/2016	Solomon et al.		D834,439 S	* 11/2018	Monachon	D11/3
D752,043 S	3/2016	Ji et al.		10,136,543 B1	11/2018	Nadkarni et al.	
D752,578 S	3/2016	Ji et al.		D835,533 S	12/2018	Zheng	
D752,583 S	3/2016	Solomon et al.		D836,478 S	* 12/2018	Wright	D11/3
D755,178 S	5/2016	Solomon et al.		D838,194 S	1/2019	Mays	
D756,824 S	5/2016	Akana et al.		D838,478 S	1/2019	Dean	
D757,567 S	* 5/2016	Henderson	D10/30	10,168,736 B2*	1/2019	Lee	G04B 37/1486
D757,574 S	5/2016	Song		D840,042 S	2/2019	Yan	
D757,819 S	5/2016	Akana et al.		D841,171 S	2/2019	Li et al.	
D758,363 S	6/2016	Akana et al.		2014/0107493 A1	4/2014	Yuen et al.	
D759,011 S	6/2016	Akana et al.		2014/0275854 A1	9/2014	Venkatraman et al.	
D759,622 S	6/2016	Dahlberg		2014/0316305 A1	10/2014	Venkatraman et al.	
D759,623 S	6/2016	Dahlberg		2015/0186609 A1	7/2015	Utter, II	
D759,826 S	6/2016	Martinez et al.		2016/0072554 A1*	3/2016	Sharma	H04B 5/0031 455/41.1
D762,210 S	7/2016	Lee et al.		2016/0183390 A1	6/2016	Yang et al.	
9,391,307 B2	7/2016	Ishibashi		2016/0220865 A1	8/2016	Seo	
D763,107 S	8/2016	Nielsen et al.		2016/0223992 A1	8/2016	Seo et al.	
D763,719 S	8/2016	Nielsen et al.		2016/0255944 A1	9/2016	Baranski et al.	
D764,340 S	8/2016	Akana et al.		2016/0374569 A1	12/2016	Breslow et al.	
D764,341 S	8/2016	Akana et al.		2017/0065224 A1	3/2017	Rahko et al.	
D765,072 S	8/2016	Kwon		2017/0086692 A1	3/2017	Freschl et al.	
D765,655 S	9/2016	Tao		2017/0100038 A1	4/2017	Narusawa	
D766,115 S	9/2016	Ma		2017/0172499 A1	6/2017	Yoo	
D766,752 S	9/2016	Akana et al.		2018/0235327 A1	8/2018	Bayley et al.	
D766,770 S	9/2016	Devaney et al.		2018/0289116 A1	10/2018	McCray et al.	
D766,893 S	9/2016	Akana et al.		2018/0294554 A1*	10/2018	Xu	G04G 21/04
D771,035 S	11/2016	Akana et al.					
9,508,241 B2	11/2016	DePascale					
D777,590 S	1/2017	Nielsen et al.					
9,551,608 B2	1/2017	Cho et al.					
D784,325 S	4/2017	Kim et al.					
D784,327 S	4/2017	Akana et al.					
D784,831 S	4/2017	Akana et al.					
D786,706 S	5/2017	Connor et al.					
D788,609 S	* 6/2017	Lenz	D10/38				
D789,822 S	6/2017	Akana et al.					
D790,365 S	6/2017	Nuovo et al.					
D790,366 S	6/2017	Nuovo et al.					
D790,374 S	6/2017	Lean et al.					
D790,994 S	7/2017	Nielsen et al.					
D791,634 S	* 7/2017	Bang	D11/3				
D793,565 S	8/2017	Saunamaki et al.					
D795,719 S	8/2017	Lean et al.					
9,743,695 B2	8/2017	Yoo					
D798,183 S	9/2017	Monachon					
D800,172 S	10/2017	Akana et al.					
D800,593 S	* 10/2017	Ling	D10/128				
D802,587 S	11/2017	Lee et al.					
D803,709 S	11/2017	Le Bihan et al.					
D805,413 S	12/2017	Chen et al.					
D805,513 S	12/2017	Akana et al.					

FOREIGN PATENT DOCUMENTS

CH	135962	5/2009
CN	104257043 A	1/2015
CN	104665130 A	6/2015
CN	204467157 U	7/2015
CN	206101834 U	4/2017
CN	206866760 U	1/2018
CN	207341307 U	5/2018
CN	207351311 U	5/2018
CN	20761331 U	7/2018
EM	003027218-0001	3/2016

OTHER PUBLICATIONS

Fitbit Charge 3 leak hints at massive changes, posted Aug. 14, 2018, [retrieved Jan. 29, 2019]. Retrieved from Internet, <URL: <https://www.slashgear.com/fitbit-charge-3-leak-hints-at-massive-changes-14541228/>>.*

New Fitbit is a waterproof smartwatch in disguise, posted Aug. 28, 2018, [retrieved Jan. 29, 2019]. Retrieved from Internet, <URL:

https://www.fox5vegas.com/archives/new-fitbit-is-a-waterproof-smartwatch-in-disguise/article_277bf36f-2e79-5b48-b490-1abce7603fae.html >.*

U.S. Appl. No. 29/572,967, filed Aug. 1, 2016, applicant Fitbit, Inc.
 U.S. Appl. No. 29/593,260, filed Feb. 7, 2017, applicant Fitbit, Inc.
 U.S. Appl. No. 29/593,261, filed Feb. 7, 2017, applicant Fitbit, Inc.
 U.S. Appl. No. 29/596,216, filed Mar. 6, 2017, applicant Fitbit, Inc.
 U.S. Appl. No. 29/602,541, filed May 1, 2017, applicant Fitbit, Inc.
 U.S. Appl. No. 29/625,052, filed Nov. 7, 2017, applicant Fitbit, Inc.
 U.S. Appl. No. 29/520,607, filed Mar. 16, 2015, applicant Fitbit, Inc.
 U.S. Appl. No. 29/524,027, filed Apr. 15, 2015, applicant Fitbit, Inc.
 U.S. Appl. No. 29/541,368, filed Oct. 2, 2015, applicant Fitbit, Inc.
 U.S. Appl. No. 29/568,588, filed Jun. 20, 2016, applicant Fitbit, Inc.
 U.S. Appl. No. 29/621,239, filed Oct. 5, 2017, applicant Fitbit, Inc.
 U.S. Appl. No. 29/614,464, filed Aug. 18, 2017, applicant Fitbit, Inc.
 U.S. Appl. No. 29/548,501, filed Dec. 14, 2015, applicant Fitbit, Inc.
 U.S. Appl. No. 29/564,199, filed May 11, 2016, applicant Fitbit, Inc.
 U.S. Appl. No. 29/614,479, filed Aug. 18, 2017, applicant Fitbit, Inc.
 U.S. Appl. No. 29/522,853, filed Apr. 2, 2015, applicant Fitbit, Inc.
 U.S. Appl. No. 29/522,858, filed Apr. 2, 2015, applicant Fitbit, Inc.
 U.S. Appl. No. 29/540,741, filed Sep. 28, 2015, applicant Fitbit, Inc.
 Acbee Replacement watch band with buckle for Fitbit ALTA for sale at www.amazon.com, Website accessed Nov. 7, 2018.
 Perfit rubber watch band with double prong buckle and spring bars for sale at www.amazon.com. Website accessed Nov. 7, 2018.
 Waterproof diving silicone rubber strap with clasp for sale at www.aliexpress.com (Alibaba Group). Website accessed Feb. 7, 2018.
 Damusy Fitness Tracker Smart Band for sale at www.activityandfitnesstrackers.com. Website accessed Nov. 10, 2018.
 Volemer F09HR Smart Band Fitness Tracker for sale at www.epaky.com. Website accessed Nov. 10, 2018.
 “First Look: Fitbit announces new Fitbit Alta activity tracker”, published Feb. 3, 2016 on DC Rainmaker (www.dcrainmaker.com). Website accessed Nov. 10, 2018.
 Fitbit Alta—for sale by Fitbit (<https://www.fitbit.com/alta>). Website accessed Mar. 27, 2017.
 Fitbit Alta replacement bands—for sale at www.amazon.com. Website accessed Jul. 17, 2017.
 Fitbit Alta review published Mar. 25, 2016 on C|Net (www.cnet.com). Website accessed 2018-11-110.
 Fitbit Charge 2 Heart Rate and Fitness Wristband for sale at www.amazon.co.uk. Website accessed Feb. 7, 2018.
 Fitbit Flex Wireless Activity and Sleep Wristband for sale at www.amazon.com. Listed at least as early as Apr. 16, 2013.
 Fitbit Ionic Accessory Band for sale at Nordstrom (<https://shop.nordstrom.com>). Website accessed Nov. 7, 2018.
 Fitbit Alta HR Bands for sale at The Fitness Equipment Shop (www.thefitnessequipmentshop.com). Website accessed Nov. 17, 2018.
 Luminox Replacement Rubber Watch Band Strap for sale at Walmart (www.walmart.com). Website accessed Nov. 7, 2018.
 “MPOW DS-D6 Fitness Band Review” published Jan. 13, 2018 on ZeroAir (www.zeroair.wordpress.com). Website accessed Nov. 10, 2018.
 “Fitbit Product Teardown” on Pinterest, pinned from www.ifixit.com. Website accessed Feb. 27, 2017.

Pro Elite Medicine Ball by Power Systems (www.power-systems.com). Website accessed Feb. 7, 2018.
 Replacement metal watch band Connector for Fitbit Alta/Fitbit Alta HR for sale at Banggood (www.banggood.com). Website accessed Nov. 10, 2018.
 Citrine by the Stones Sol Forearm Band for sale at Shopbop (www.shopbop.com). Website accessed Nov. 11, 2018.
 Gorjana Mia Wrap Cuff for sale at Shopbop (www.shopbop.com). Website accessed Nov. 11, 2018.
 Marc by Marc Jacobs Engraved Turlock Leather Bangle Bracelet for sale at Shopbop (www.shopbop.com). Website accessed Nov. 11, 2018.
 Monserat de Lucca Measuring Tape Bracelet for sale at Shopbop (www.shopbop.com). Website accessed Nov. 11, 2018.
 Suppa G-Shock Strap Adapters, online at least as early as Dec. 13, 2013. Accessed Feb. 7, 2017.
 Suunto Core watchband on Instagram. Accessed Feb. 7, 2017.
 GK Fitbit Alta Bands—replacement sport strap bands for Fitbit Alta for sale at Walmart (www.walmart.com). Website accessed Nov. 7, 2018.

* cited by examiner

Primary Examiner — Karen E Kearney
Assistant Examiner — Kristin E Reed
 (74) *Attorney, Agent, or Firm* — Polson Intellectual Property Law, PC; Margaret Polson

(57) **CLAIM**

The ornamental design for a smart watch with health monitor sensor, as shown and described.

DESCRIPTION

FIG. 1 is a top, right side isometric view of a smart watch with health monitor sensor showing our new design, in a first embodiment.
 FIG. 2 is a right side elevation view of FIG. 1.
 FIG. 3 is a left side elevation view of FIG. 1.
 FIG. 4 front side elevation view of FIG. 1.
 FIG. 5 is a back side elevation view of FIG. 1.
 FIG. 6 is a top plan view of FIG. 1.
 FIG. 7 is a bottom plan view of FIG. 1.
 FIG. 8 is a bottom, left side isometric view of FIG. 1.
 FIG. 9 is a top, right side isometric view of the smart watch with health monitor sensor in a second embodiment.
 FIG. 10 is a right side elevation view of FIG. 9.
 FIG. 11 is a left side elevation view of FIG. 9.
 FIG. 12 front side elevation view of FIG. 9.
 FIG. 13 is a back side elevation view of FIG. 9.
 FIG. 14 is a top plan view of FIG. 9.
 FIG. 15 is a bottom plan view of FIG. 9; and,
 FIG. 16 is a bottom, left side isometric view of FIG. 9.

1 Claim, 14 Drawing Sheets



FIG. 1



FIG. 2

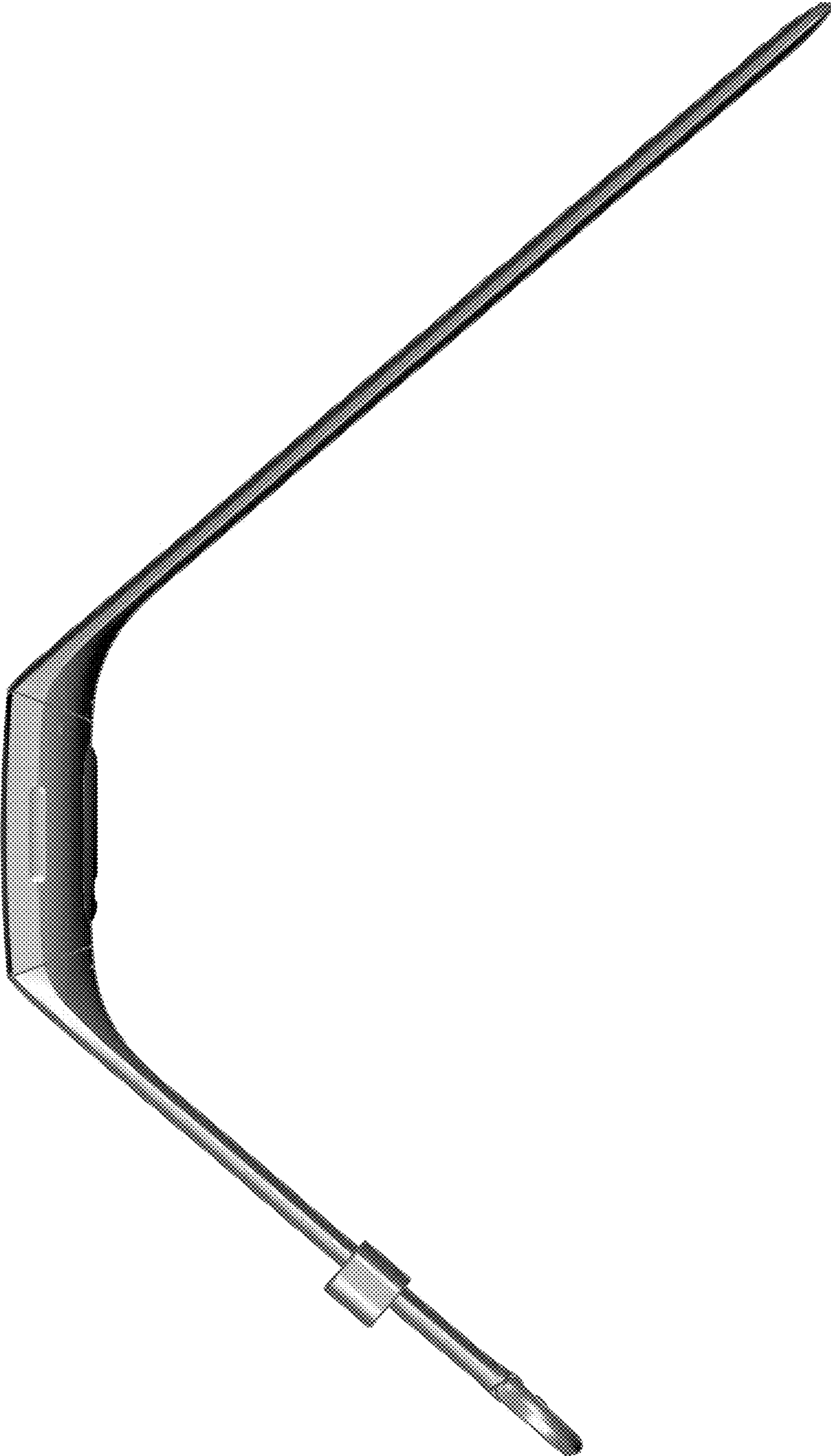


FIG. 3

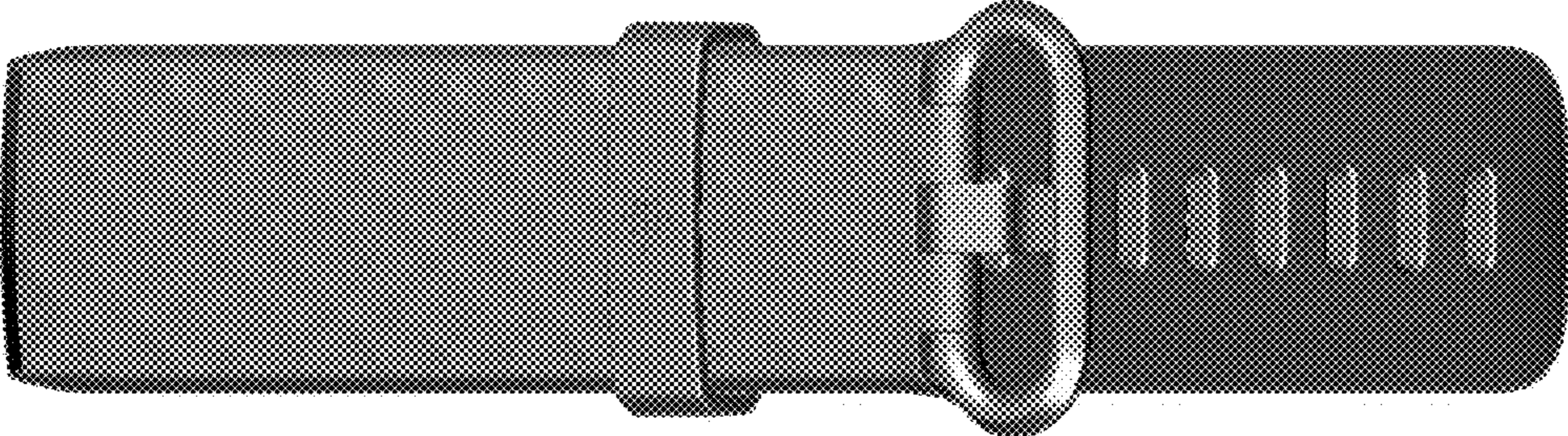


FIG. 4

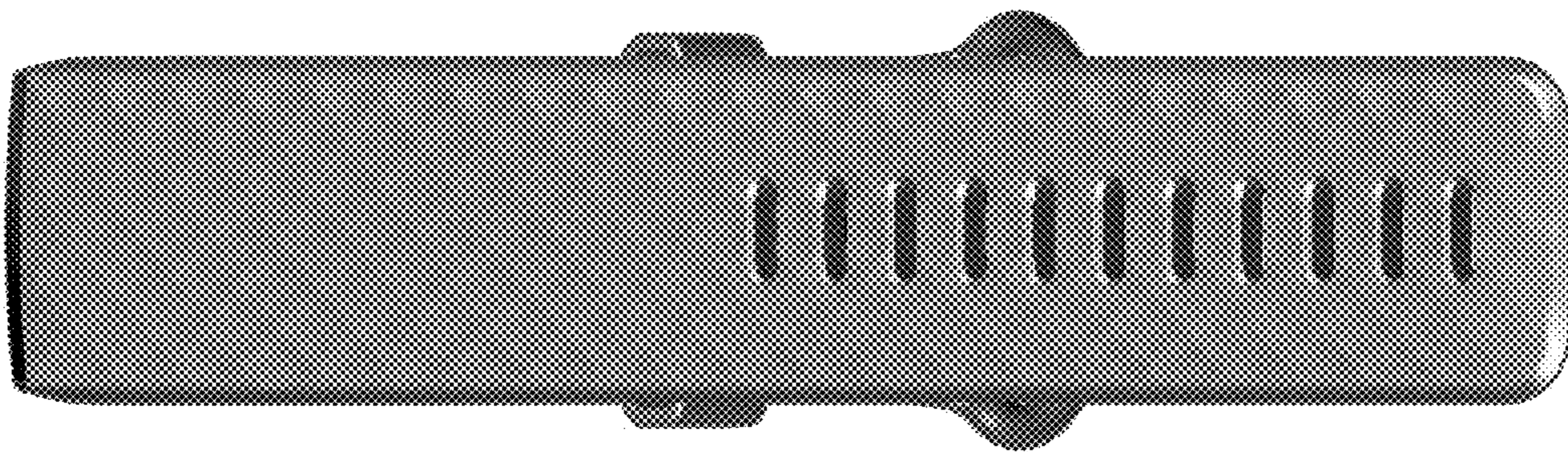


FIG. 5

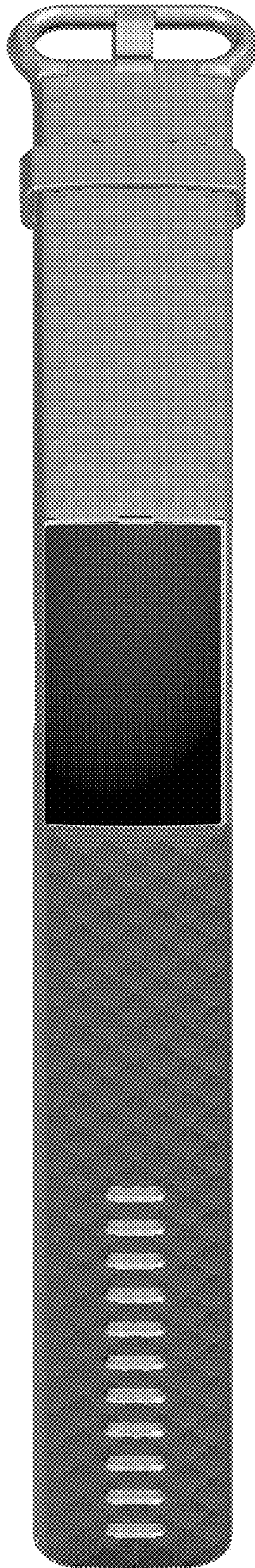


FIG. 6

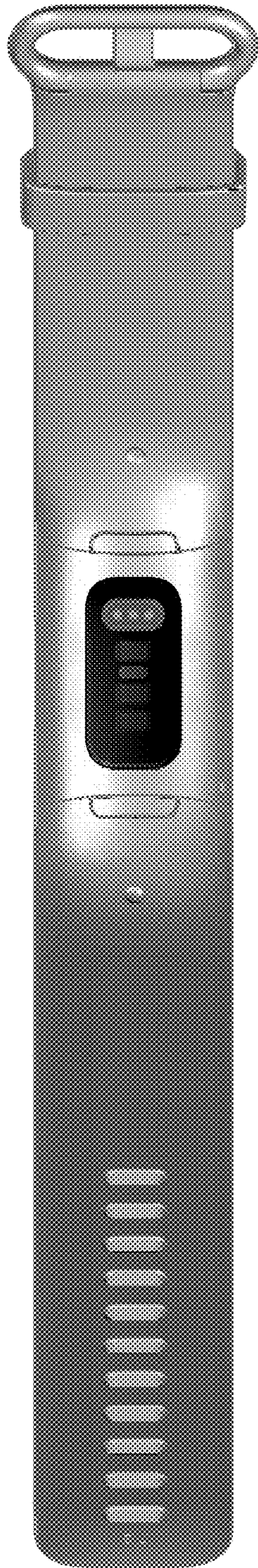


FIG. 7

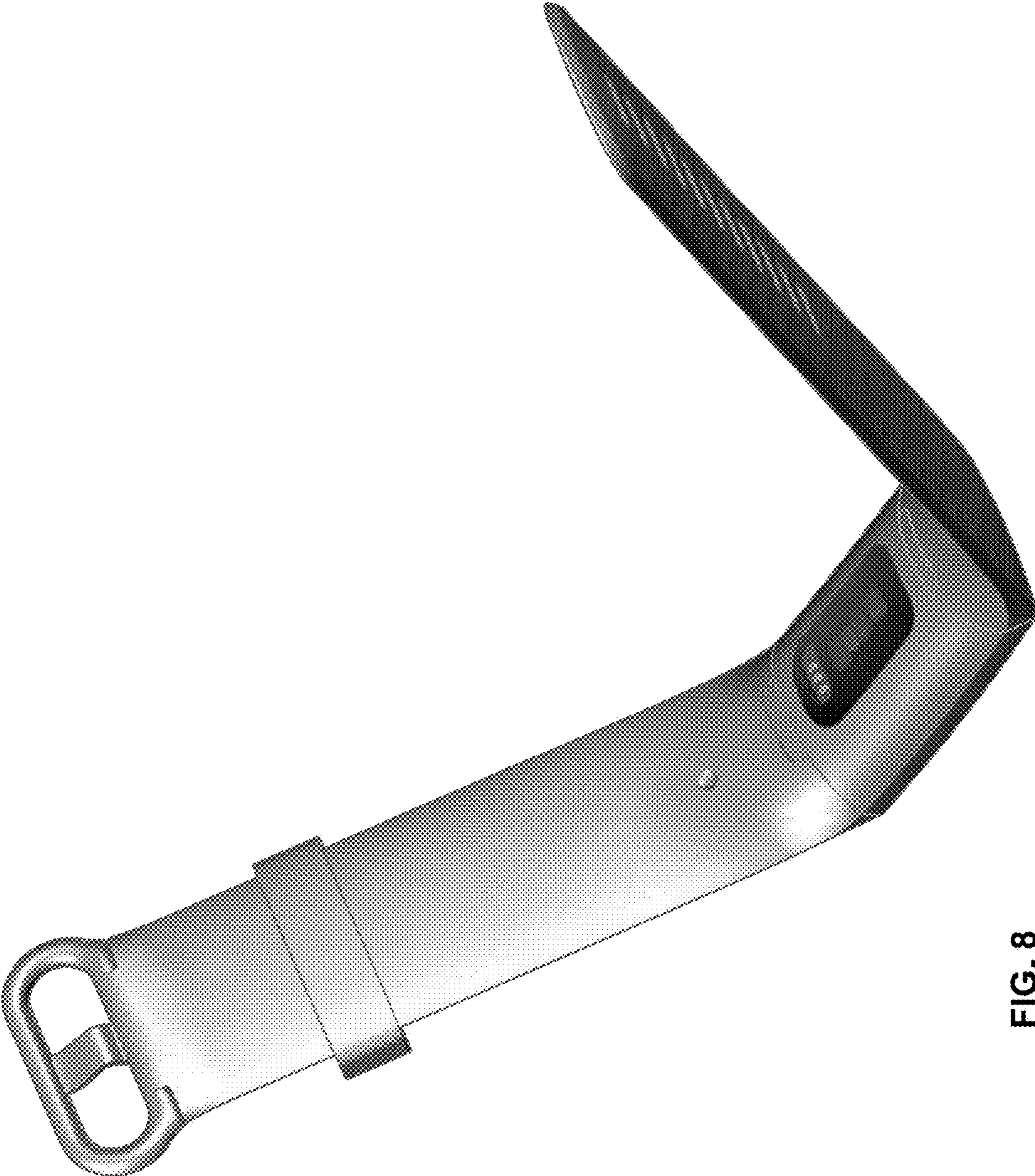


FIG. 8

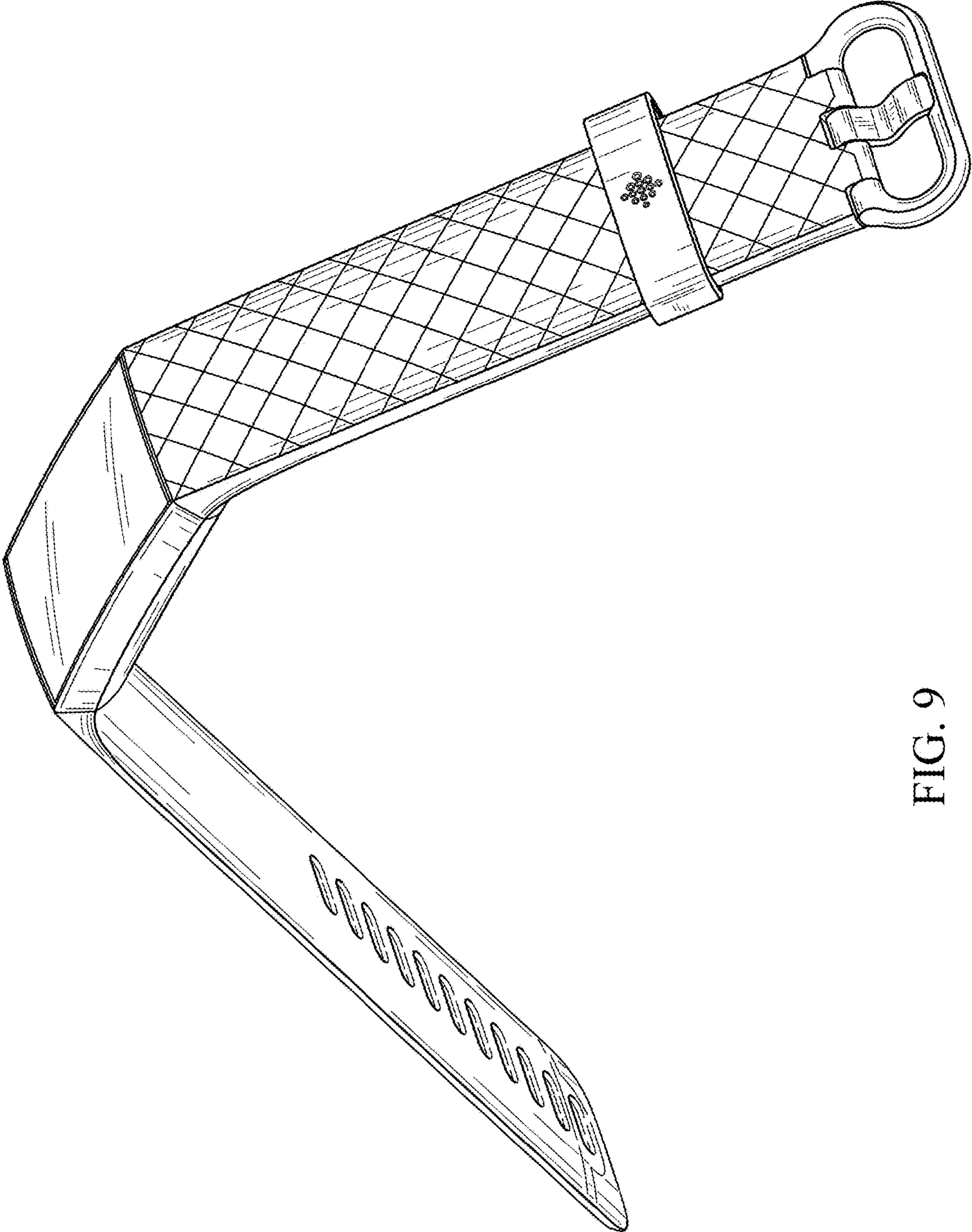


FIG. 9

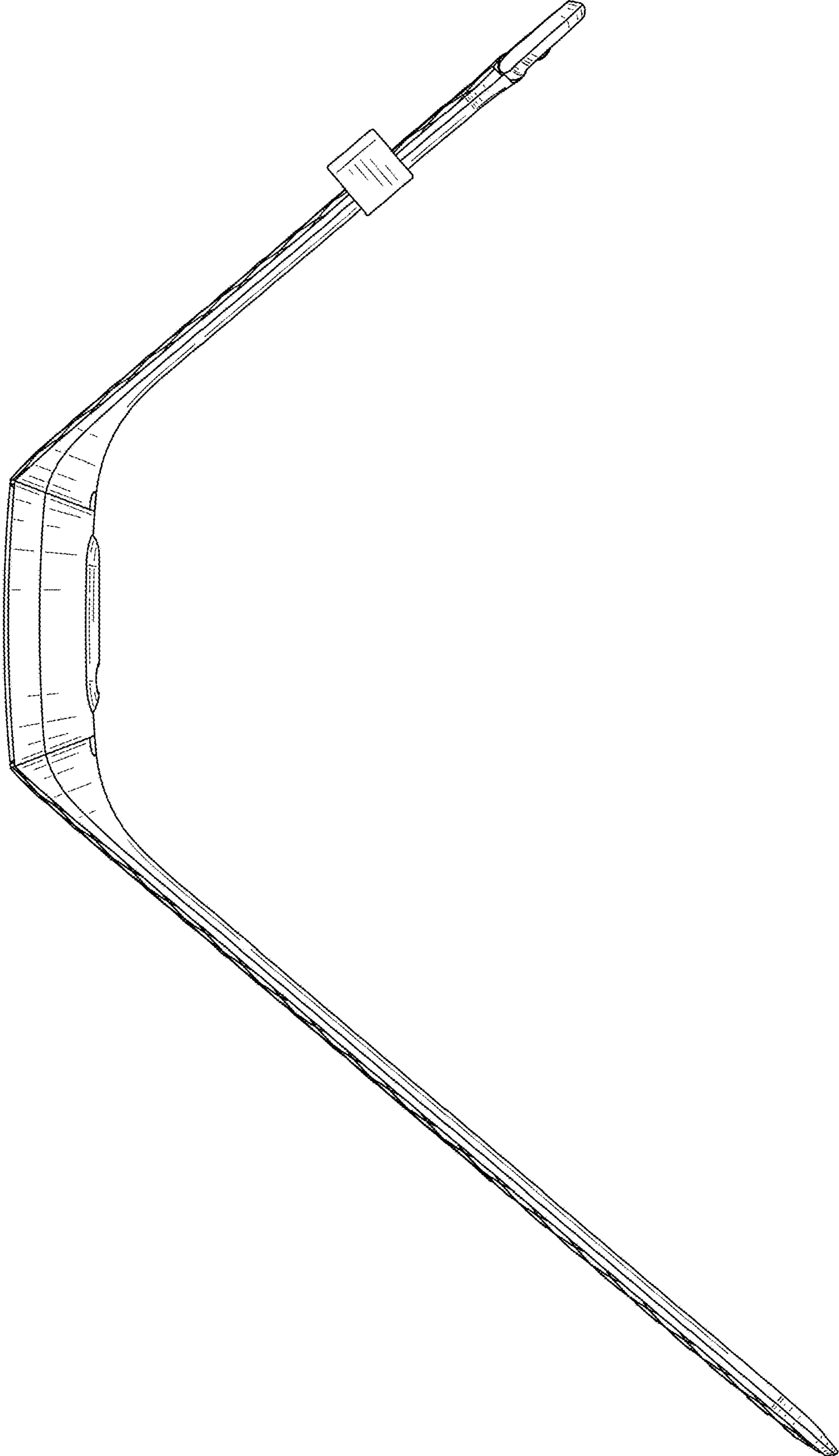


FIG. 10

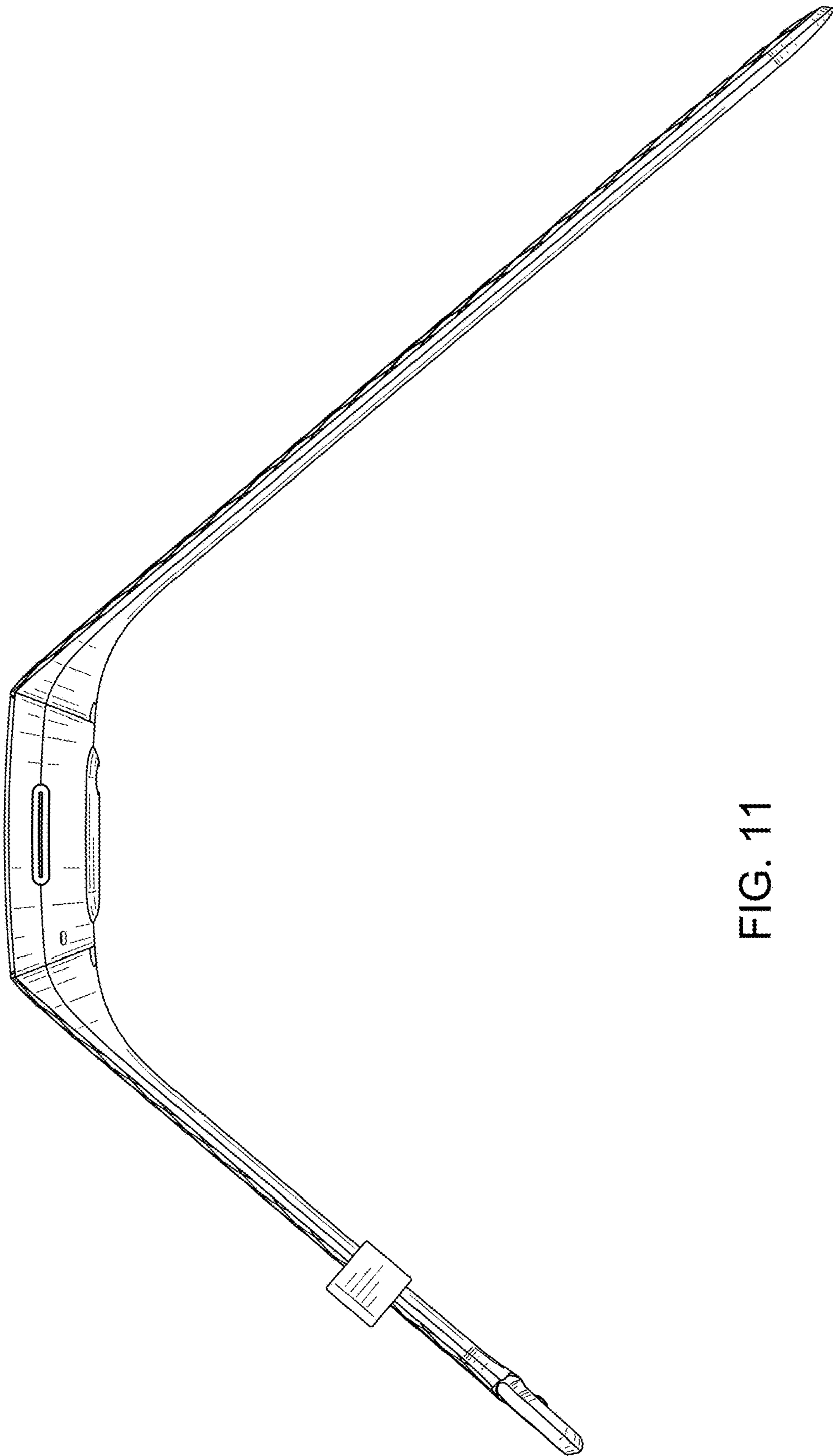


FIG. 11

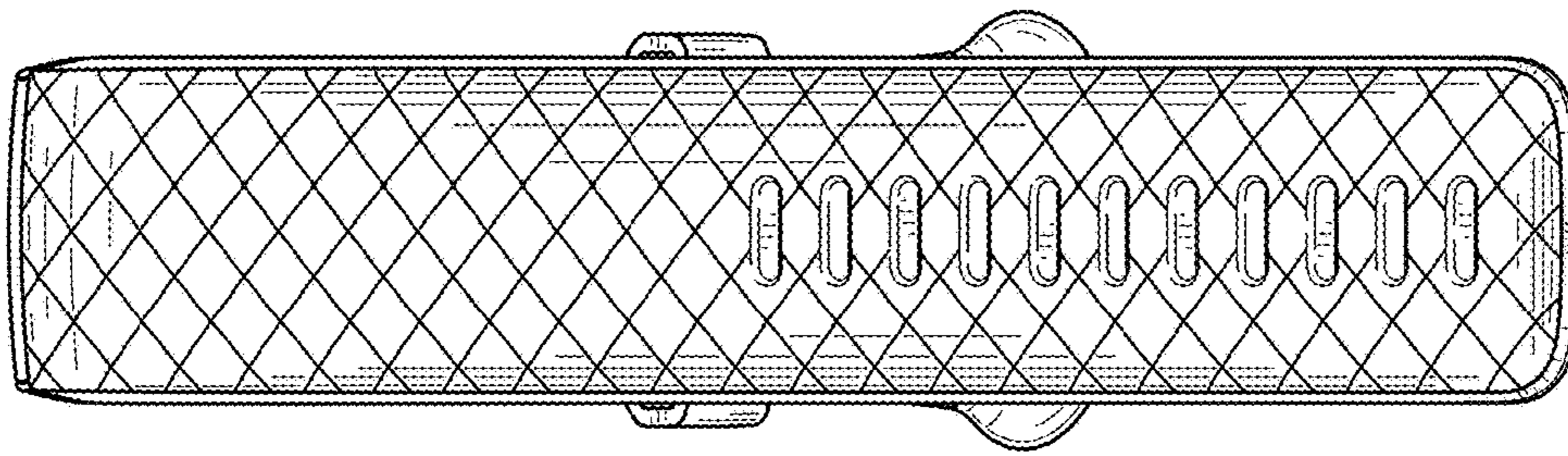


FIG. 13

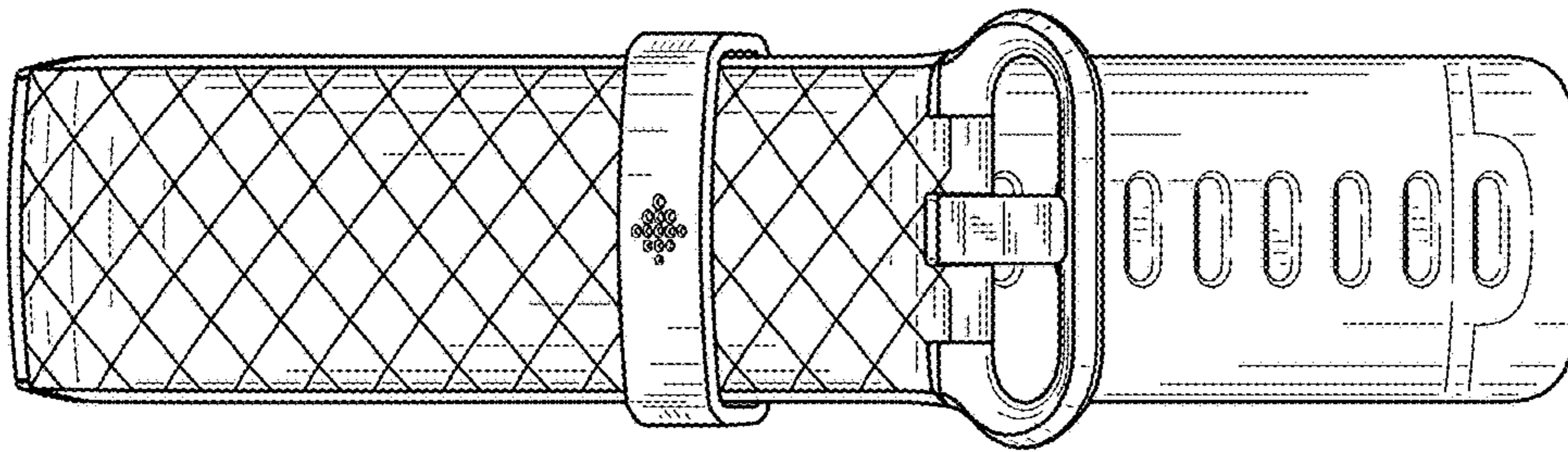


FIG. 12

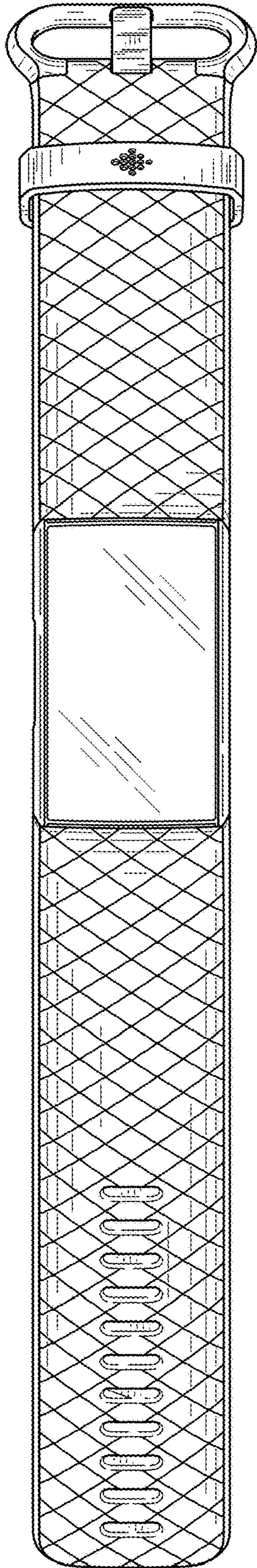


FIG. 14

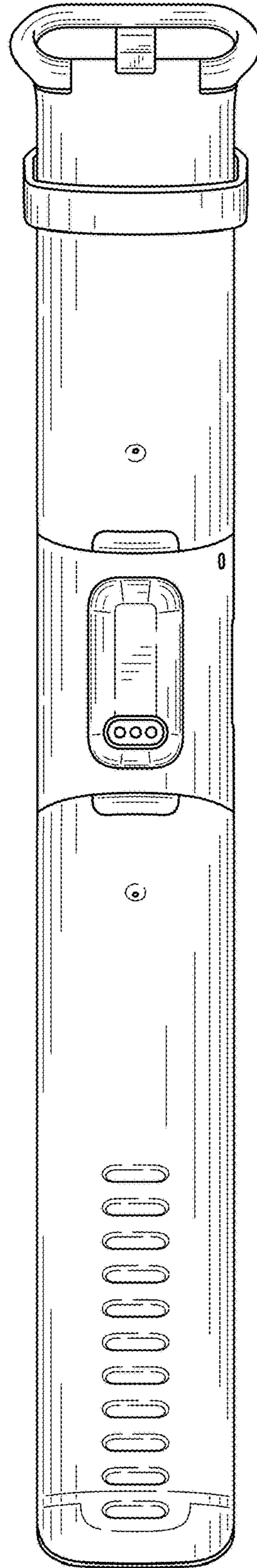


FIG. 15

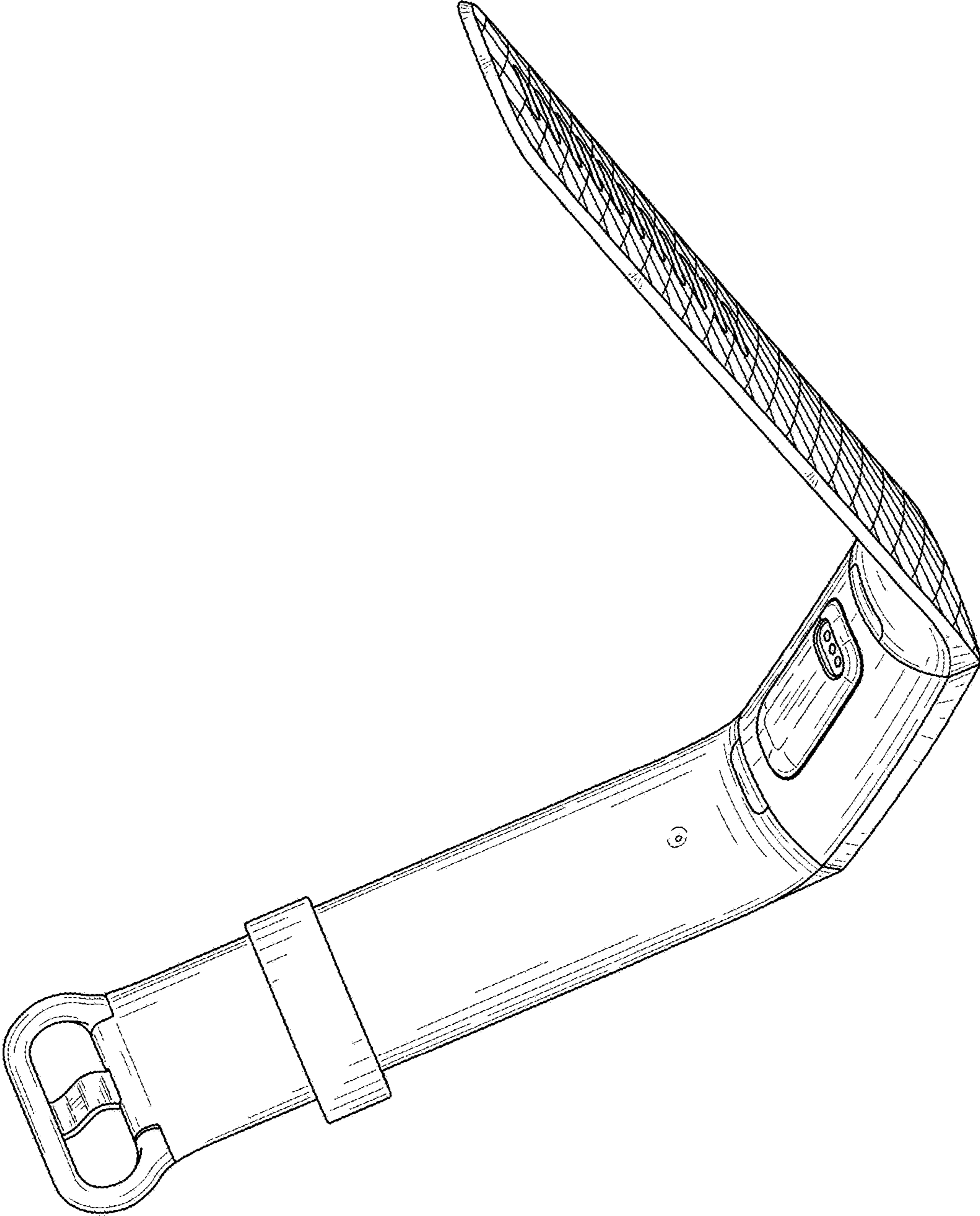


FIG. 16