



US00D864950S

(12) **United States Design Patent** (10) **Patent No.:** **US D864,950 S**  
**Akana et al.** (45) **Date of Patent:** **\*\* Oct. 29, 2019**

(54) **ELECTRONIC DEVICE**

(71) Applicant: **Apple Inc.**, Cupertino, CA (US)

(72) Inventors: **Jody Akana**, San Francisco, CA (US); **Bartley K. Andre**, Palo Alto, CA (US); **Jeremy Bataillou**, San Francisco, CA (US); **Daniel J. Coster**, San Francisco, CA (US); **Daniele De Iuliis**, San Francisco, CA (US); **M. Evans Hankey**, San Francisco, CA (US); **Julian Hoenig**, San Francisco, CA (US); **Richard P. Howarth**, San Francisco, CA (US); **Jonathan P. Ive**, San Francisco, CA (US); **Duncan Robert Kerr**, San Francisco, CA (US); **Shin Nishibori**, Kailua, HI (US); **Matthew Dean Rohrbach**, San Francisco, CA (US); **Peter Russell-Clarke**, San Francisco, CA (US); **Christopher J. Stringer**, Woodside, CA (US); **Eugene Antony Whang**, San Francisco, CA (US); **Rico Zörkendörfer**, San Francisco, CA (US)

(73) Assignee: **Apple Inc.**, Cupertino, CA (US)

(\*\*) Term: **15 Years**

(21) Appl. No.: **29/586,519**

(22) Filed: **Dec. 5, 2016**

**Related U.S. Application Data**

(63) Continuation of application No. 29/493,571, filed on Jun. 11, 2014, now Pat. No. Des. 773,453, which is a (Continued)

(51) **LOC (12) Cl.** ..... **14-02**

(52) **U.S. Cl.**  
USPC ..... **D14/341**

(58) **Field of Classification Search**

USPC ..... D14/341-347, 137, 138 AA, 138 R, D14/138 C, 138 G, 496, 203.1, 203.3, (Continued)

(56) **References Cited**

**U.S. PATENT DOCUMENTS**

5,600,800 A 2/1997 Kikinis et al.  
D399,864 S 10/1998 Gotham  
(Continued)

**FOREIGN PATENT DOCUMENTS**

AU 332935 S 9/2010  
BR DI7004334-5 12/2011  
(Continued)

*Primary Examiner* — Barbara Fox

(74) *Attorney, Agent, or Firm* — Sterne, Kessler, Goldstein & Fox P.L.L.C.

(57) **CLAIM**

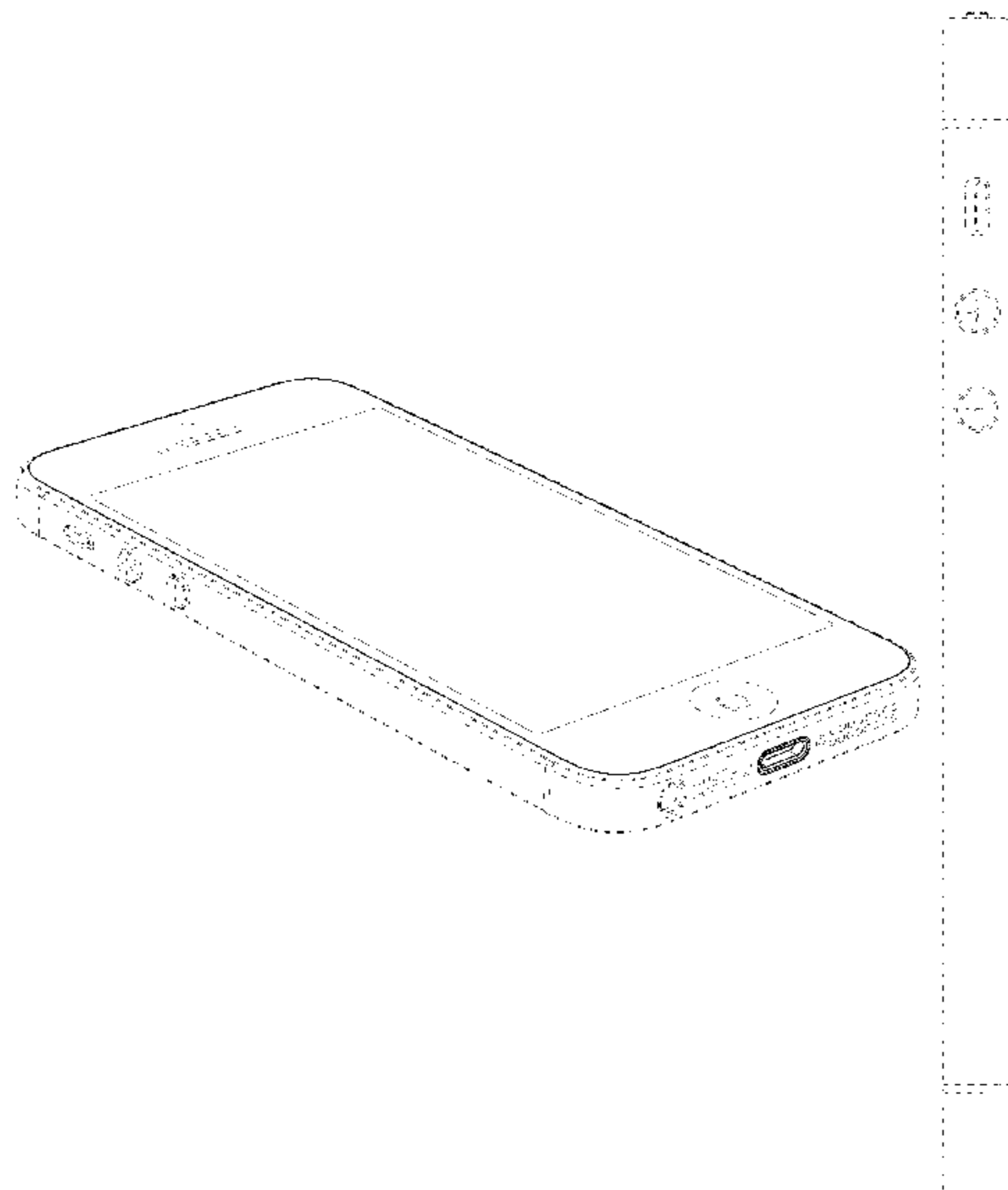
The ornamental design for an electronic device, as shown and described.

**DESCRIPTION**

FIG. 1 is a bottom front perspective view of an electronic device showing the claimed design;  
FIG. 2 is a bottom rear perspective view thereof;  
FIG. 3 is a top front perspective view thereof;  
FIG. 4 is a top rear perspective view thereof;  
FIG. 5 is a front view thereof;  
FIG. 6 is a rear view thereof;  
FIG. 7 is a top view thereof;  
FIG. 8 is a bottom view thereof;  
FIG. 9 is a left side view thereof; and,  
FIG. 10 is a right side view thereof.

The broken lines in the figures show portions of the electronic device that form no part of the claimed design.

**1 Claim, 8 Drawing Sheets**



**Related U.S. Application Data**

continuation of application No. 29/423,180, filed on May 29, 2012, now Pat. No. Des. 707,223.

(58) **Field of Classification Search**

USPC ... D14/203.7, 426, 129, 130, 420, 147, 218, D14/247-248, 389, 388, 315-318; D10/65, 104.1; D18/6-7; D21/324, 329, D21/330; 455/556.1, 556.2, 566, 575.1, 455/90.3; 379/433.04, 433.01, 433.06, 379/916; 345/173, 901, 905; 361/679.26, 679.27, 679.3, 679.55, 361/679.56, 680-686; 248/917-924; 348/373, 376; D19/60

See application file for complete search history.

(56) **References Cited**

U.S. PATENT DOCUMENTS

D456,023 S	4/2002	Andre et al.	
D502,173 S	2/2005	Jung et al.	
D514,090 S	1/2006	Carbone et al.	
7,042,712 B2	5/2006	Ghosh et al.	
D557,256 S	12/2007	Joseph	
D561,782 S	2/2008	Kim	
D574,019 S	7/2008	Amit et al.	
D580,387 S	11/2008	Andre et al.	
D602,015 S	10/2009	Andre et al.	
D602,486 S	10/2009	Andre et al.	
D627,778 S	11/2010	Akana et al.	
D645,835 S	9/2011	Lee et al.	
D646,249 S	10/2011	Kim et al.	
D651,189 S	12/2011	Tsai et al.	
D653,642 S	2/2012	Han	
D653,645 S	2/2012	Park	
D654,049 S	2/2012	Chung	
D654,460 S	2/2012	Kim et al.	
D654,900 S	2/2012	Jung	
D664,531 S	7/2012	Akana et al.	
D670,286 S	11/2012	Akana et al.	
D673,561 S	1/2013	Hyun et al.	
D674,383 S	1/2013	Andre et al.	
D678,881 S	3/2013	Groene et al.	
D682,333 S	5/2013	Kim et al.	
D684,553 S	6/2013	Kim et al.	
D684,571 S *	6/2013	Akana .....	D14/341
D707,223 S *	6/2014	Akana .....	D14/341
D714,254 S	9/2014	Miyazaki et al.	
D715,794 S	10/2014	Zhou et al.	
D717,801 S	11/2014	Rantala et al.	
D718,271 S	11/2014	McTague et al.	
D721,063 S	1/2015	Chung	
D721,355 S	1/2015	Chung	
D724,078 S	3/2015	Andre et al.	
D730,361 S	5/2015	Akana et al.	
D733,146 S	6/2015	Akana et al.	

D743,391 S *	11/2015	Akana .....	D14/341
D747,310 S *	1/2016	Akana .....	D14/341
D748,091 S *	1/2016	Akana .....	D14/341
D748,621 S *	2/2016	Akana .....	D14/341
D749,563 S *	2/2016	Akana .....	D14/341
D753,101 S *	4/2016	Akana .....	D14/341
D754,125 S *	4/2016	Akana .....	D14/341
D760,217 S *	6/2016	Akana .....	D14/341
D766,889 S *	9/2016	Akana .....	D14/203.7
D771,623 S *	11/2016	Akana .....	D14/341
D772,865 S *	11/2016	Akana .....	D14/341
D773,453 S *	12/2016	Akana .....	D14/341
D778,905 S *	2/2017	Akana .....	D14/341
D779,484 S *	2/2017	Akana .....	D14/341
D783,602 S *	4/2017	Akana .....	D14/341
D784,324 S *	4/2017	Akana .....	D14/341
D800,716 S *	10/2017	Akana .....	D14/341
D803,209 S *	11/2017	Akana .....	D14/341
D809,507 S *	2/2018	Akana .....	D14/341
2004/0242288 A1	12/2004	Balle et al.	
2006/0281501 A1	12/2006	Zuo et al.	
2009/0245564 A1	10/2009	Mittleman et al.	
2009/0247244 A1	10/2009	Mittleman et al.	
2010/0105452 A1	4/2010	Shin et al.	

FOREIGN PATENT DOCUMENTS

CL	200801680	6/2008
CL	200901887	9/2009
CL	200801681	11/2009
CL	200902212	12/2009
CL	200902213	12/2009
CL	200902214	12/2009
CL	201000859	8/2010
CL	201000909	8/2010
EP	001016802-0001	1/2009
EP	001098149-0001	4/2009
EP	001183461-0002	1/2010
EP	001668781-0001	2/2010
EP	001694712-0001	4/2010
KR	30-0424148	9/2006
KR	30-0441230-1	2/2007
KR	30-0441230-2	8/2007
KR	30-0474260	12/2007
KR	30-0529167	5/2009
KR	30-0533504	7/2009
KR	30-0546031	11/2009
KR	30-0553546	2/2010
TW	D106137	8/2005
TW	D123283	6/2008
TW	D126454	12/2008
TW	D126838	1/2009
TW	D126996	4/2009
TW	D126997	4/2009
TW	D129176	6/2009
TW	D131556	10/2009
TW	D132490	12/2009
TW	D139493	3/2011

\* cited by examiner

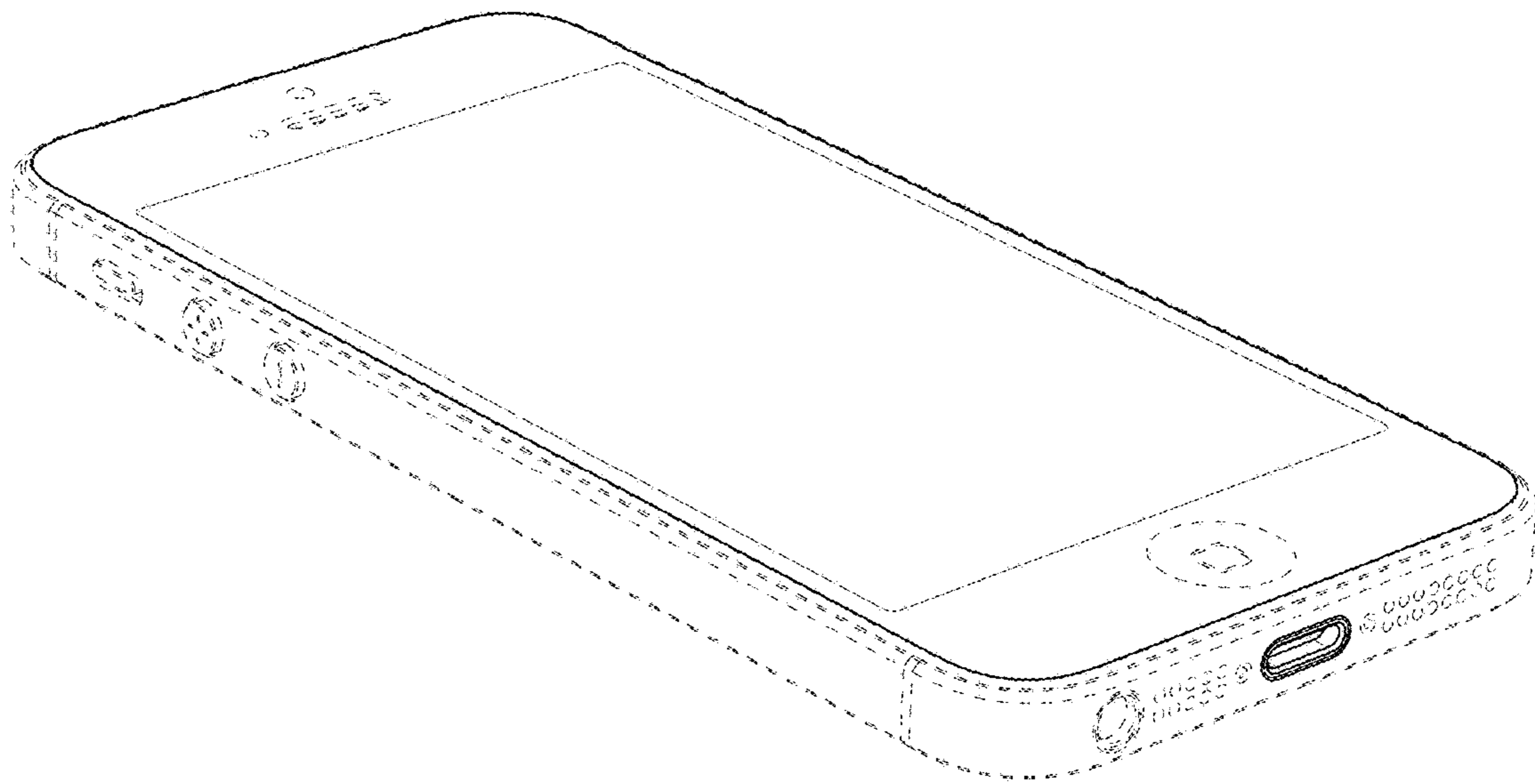


FIG. 1

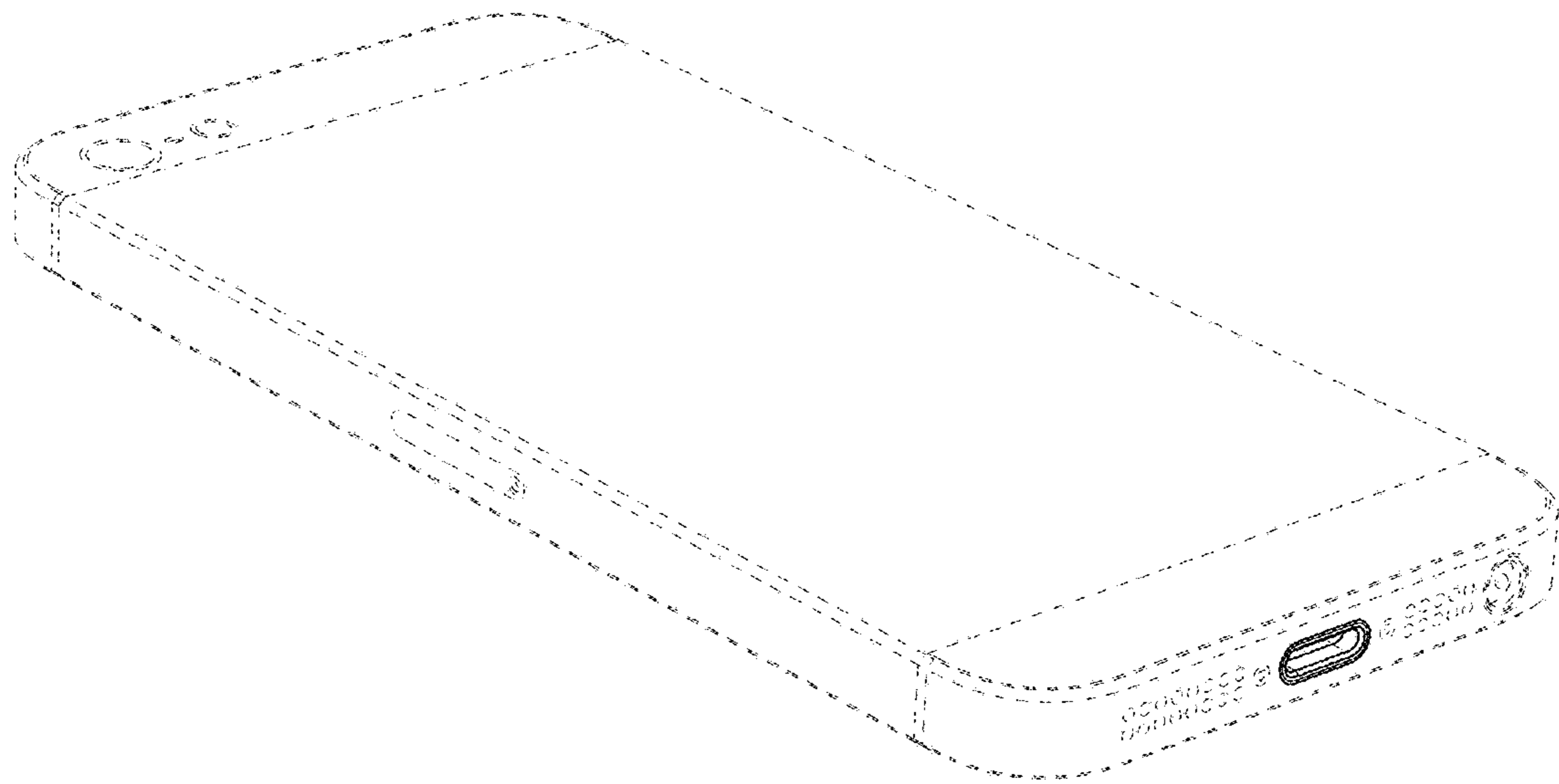


FIG. 2

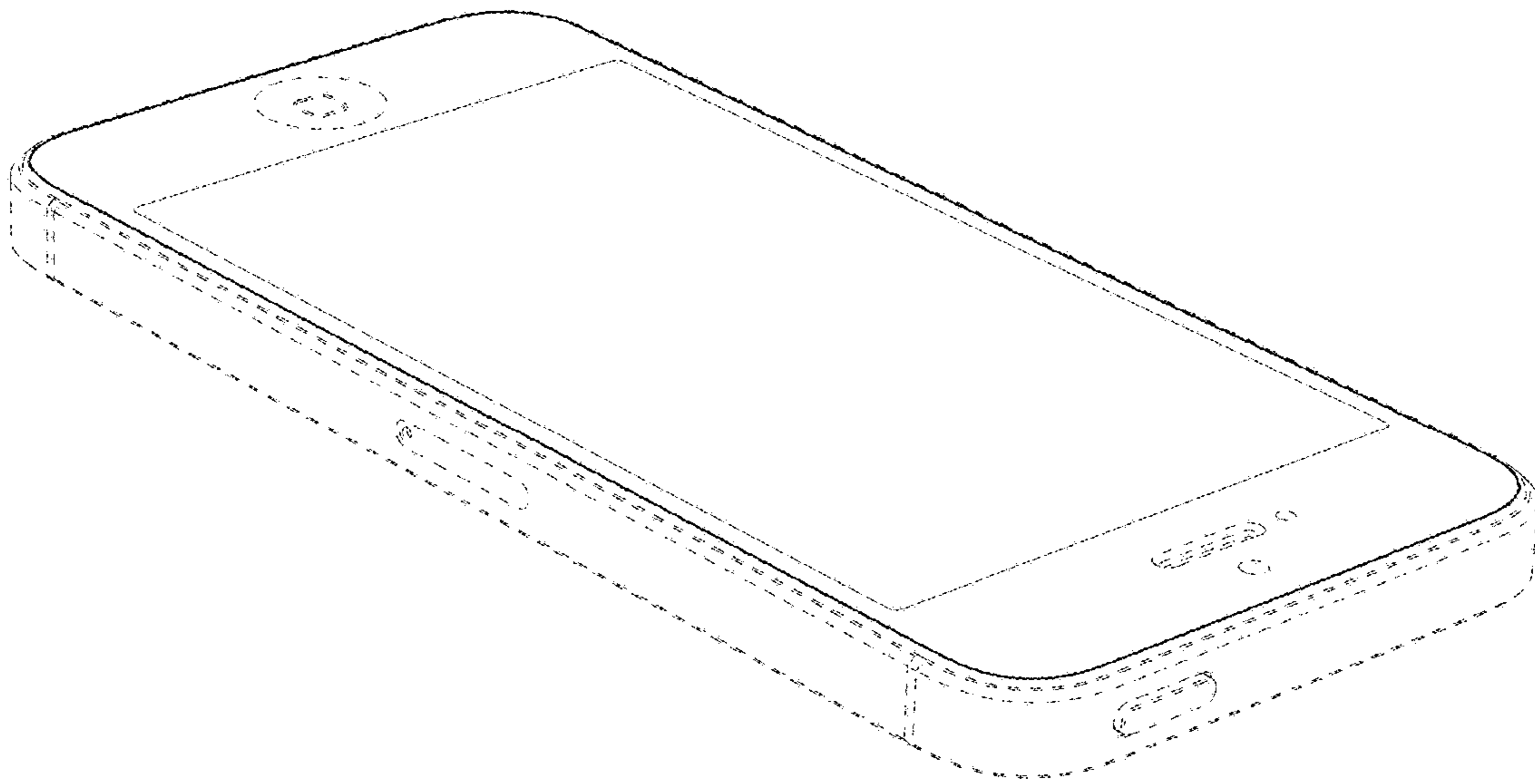
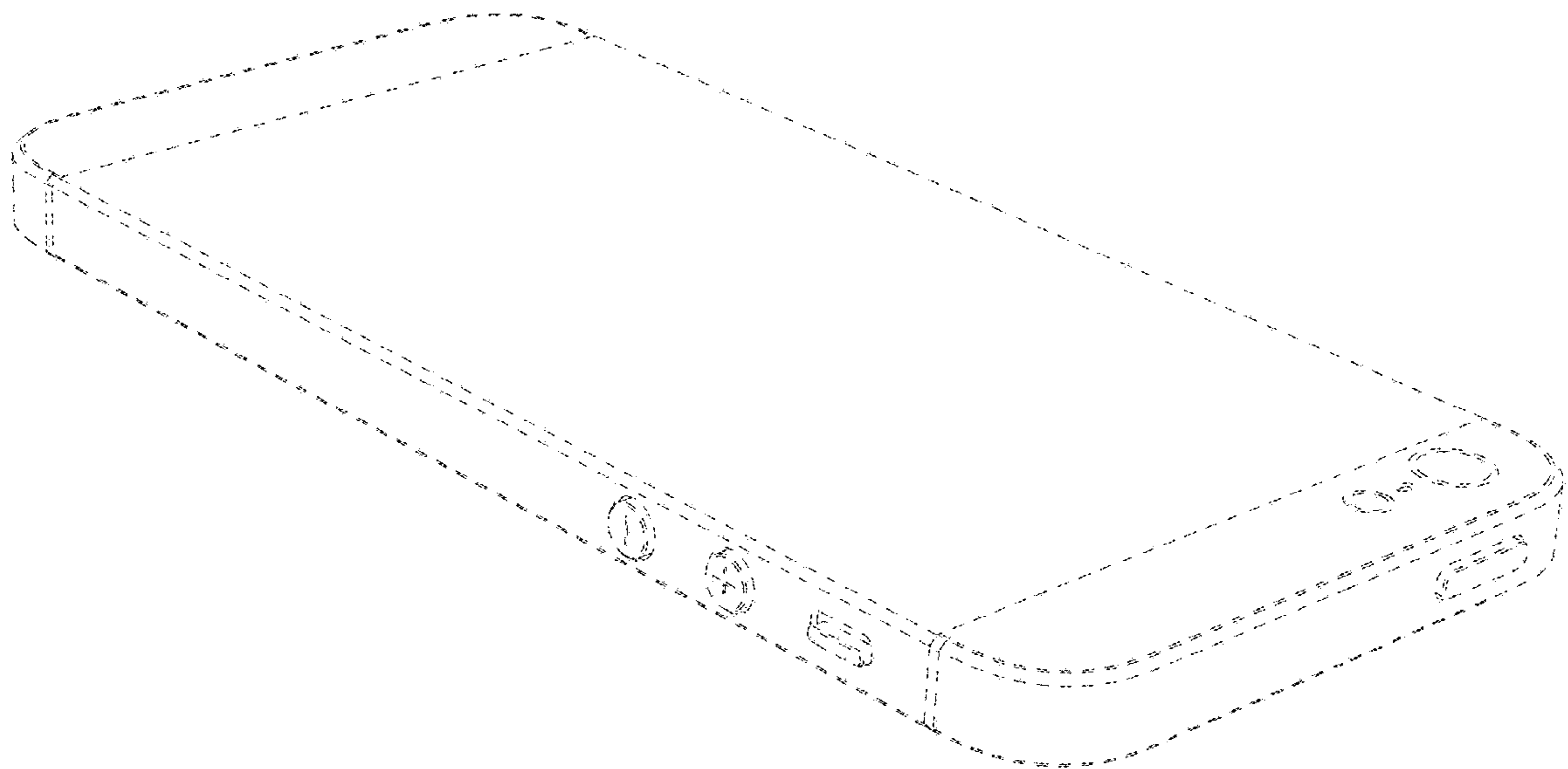


FIG. 3



**FIG. 4**

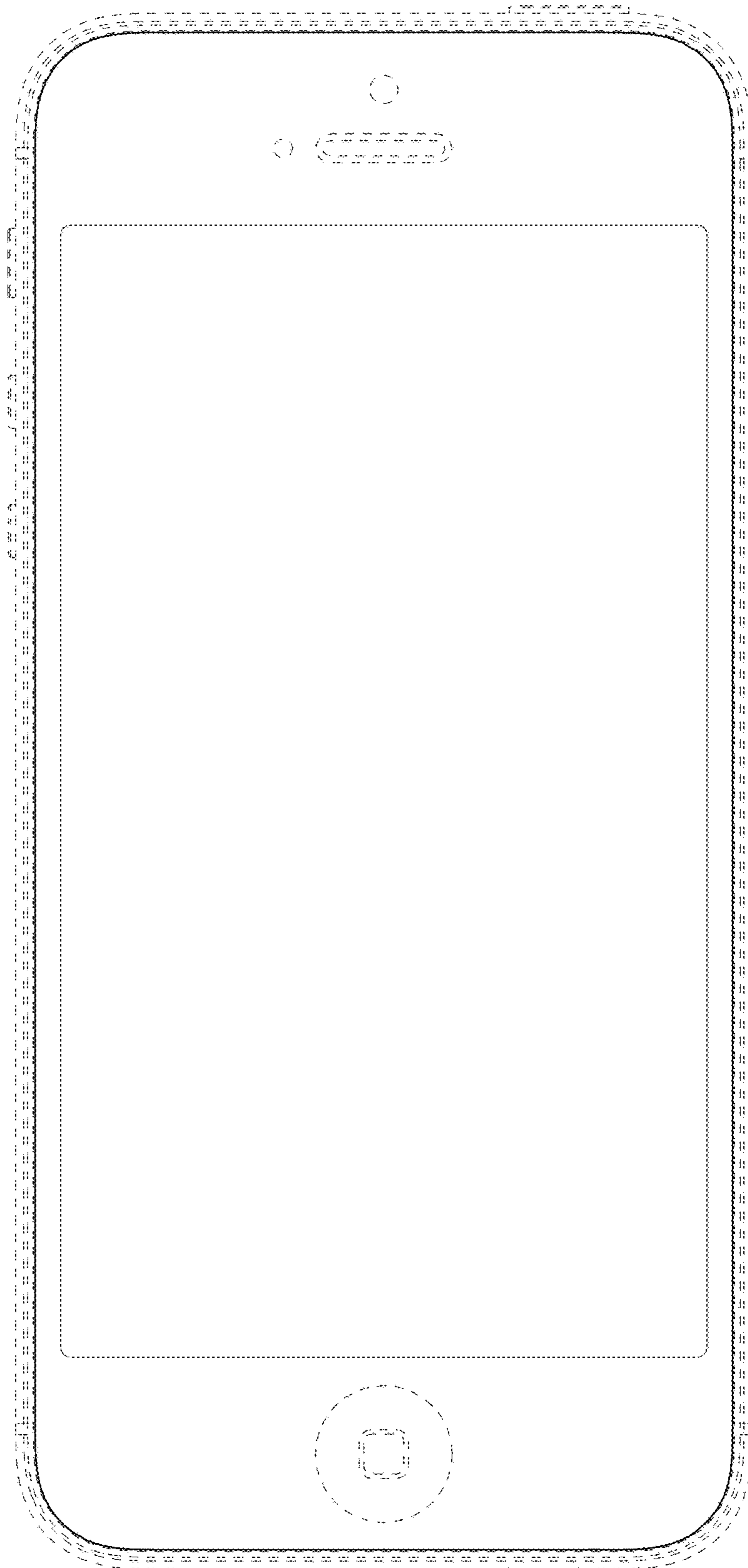
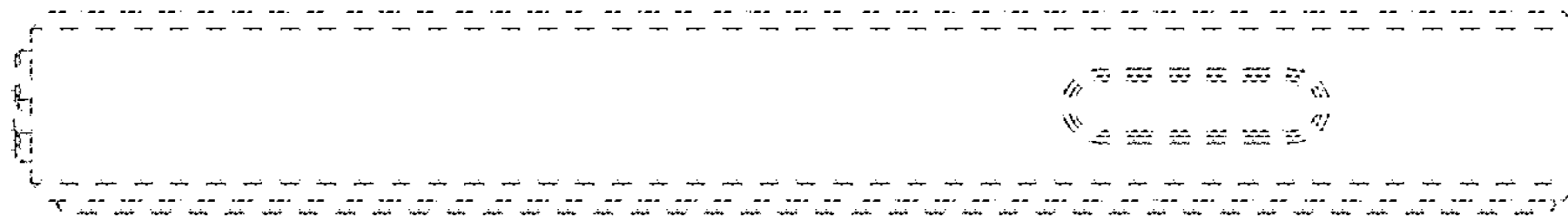


FIG. 5

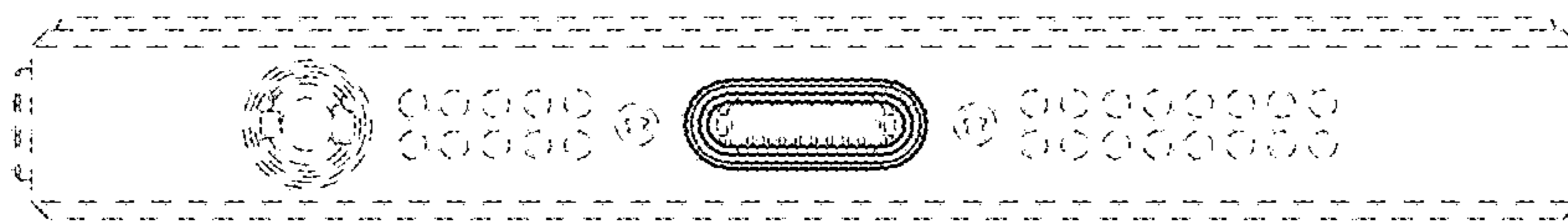


**FIG. 6**





**FIG. 7**



**FIG. 8**

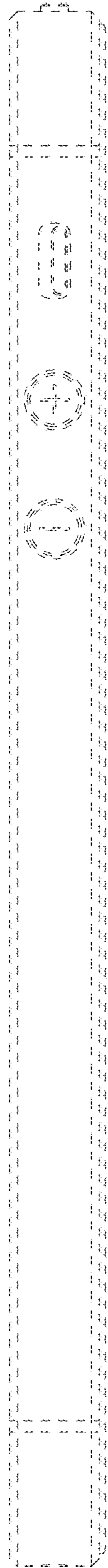


FIG. 9

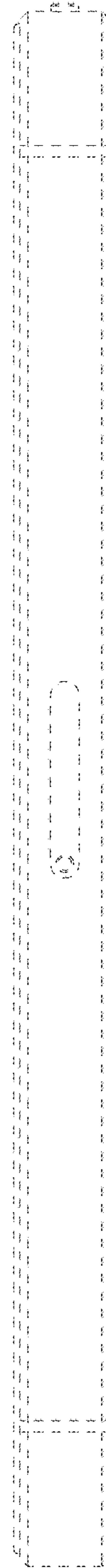


FIG. 10