

US00D864949S

(12) **United States Design Patent** (10) **Patent No.:** **US D864,949 S**  
**Akana et al.** (45) **Date of Patent:** **\*\* Oct. 29, 2019**

(54) **ELECTRONIC DEVICE**

(71) Applicant: **Apple Inc.**, Cupertino, CA (US)

(72) Inventors: **Jody Akana**, San Francisco, CA (US); **Bartley K. Andre**, Palo Alto, CA (US); **Jeremy Bataillou**, San Francisco, CA (US); **Daniel J. Coster**, San Francisco, CA (US); **Daniele De Iuliis**, San Francisco, CA (US); **M. Evans Hankey**, San Francisco, CA (US); **Richard P. Howarth**, San Francisco, CA (US); **Jonathan P. Ive**, San Francisco, CA (US); **Steven P. Jobs**, Palo Alto, CA (US); **Duncan Robert Kerr**, San Francisco, CA (US); **Shin Nishibori**, Kailua, HI (US); **Matthew Dean Rohrbach**, San Francisco, CA (US); **Peter Russell-Clarke**, San Francisco, CA (US); **Christopher J. Stringer**, Woodside, CA (US); **Eugene Antony Whang**, San Francisco, CA (US); **Rico Zörkendörfer**, San Francisco, CA (US)

(73) Assignee: **Apple Inc.**, Cupertino, CA (US)

(\*\*) Term: **14 Years**

(21) Appl. No.: **29/493,403**

(22) Filed: **Jun. 9, 2014**

**Related U.S. Application Data**

(63) Continuation of application No. 29/468,427, filed on Sep. 30, 2013, now Pat. No. Des. 706,776, which is a continuation of application No. 29/432,245, filed on Sep. 14, 2012, now Pat. No. Des. 691,133, which is a continuation of application No. 29/385,079, filed on Feb. 8, 2011, now Pat. No. Des. 671,937, which is a continuation of application No. 29/360,110, filed on Apr. 20, 2010, now Pat. No. Des. 633,908, which is a continuation-in-part of application No. 29/360,036, filed on Apr. 19, 2010, now Pat. No. Des. 627,778.

(51) **LOC (12) Cl.** ..... 14-02

(52) **U.S. Cl.**  
USPC ..... **D14/341**

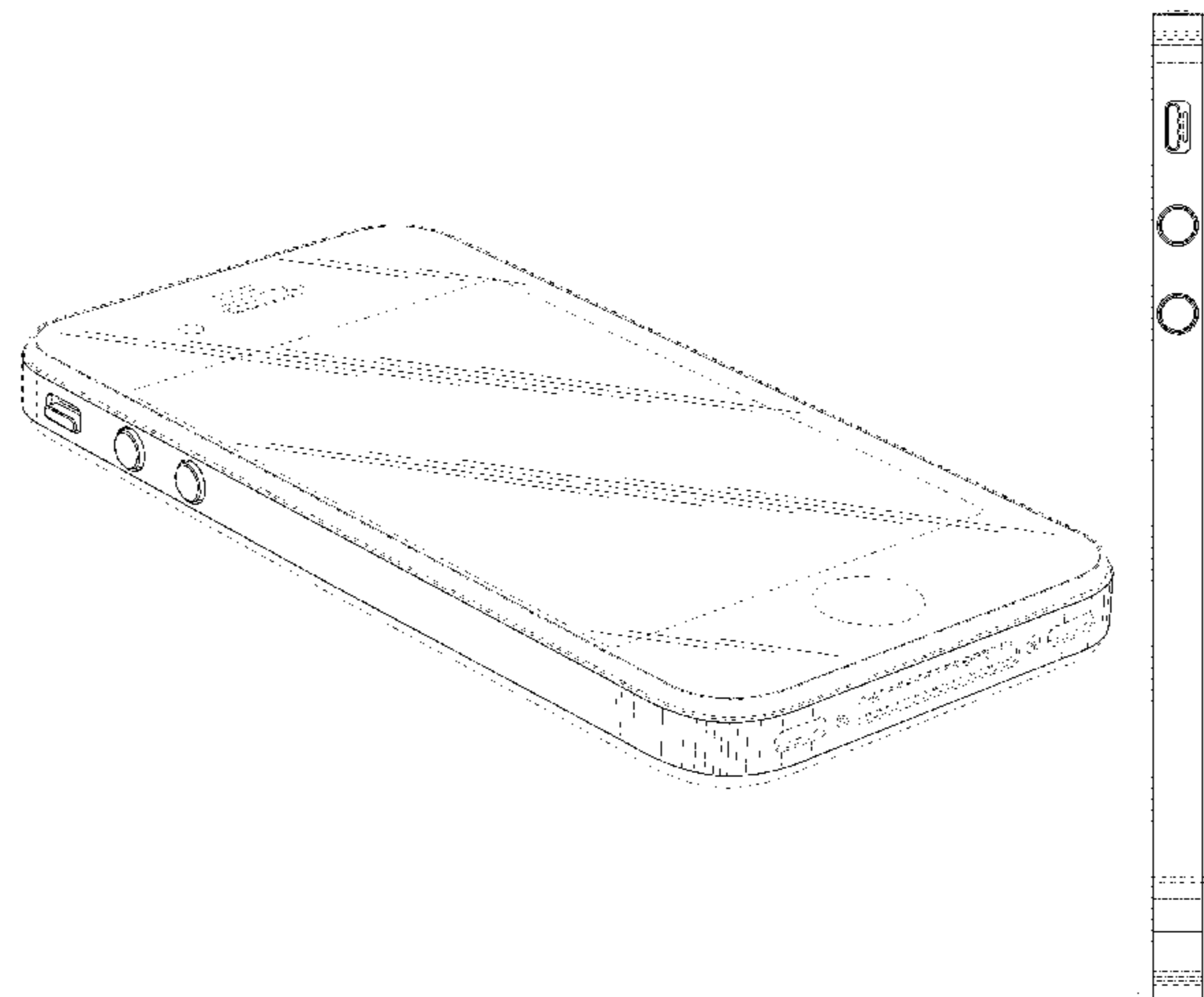
(58) **Field of Classification Search**  
USPC ..... D14/341-347, 137, 138, 138.1, 138 AA, D14/138 R, 138 AB, 138 G, 138 A, 496, D14/426, 429, 129, 130, 420, 439-441, D14/448, 125, 147, 156, 218, 250, 389, D14/336, 203.1, 203.3, 203.4, 203.7, 315; D21/324, 329, 330; D10/65, 104; D18/6-7; 345/169, 901, 905, 156, 157, 345/168, 173; 361/814, 680, 686, 679.27, 361/679.3; 341/22; 348/168; 379/433.04, 433.07, 433.11, 916, 433.01, 379/433.06

See application file for complete search history.

(56) **References Cited**

U.S. PATENT DOCUMENTS

D262,151 S	12/1981	Sussman
D270,061 S	8/1983	Ackeret
D289,873 S	5/1987	Gemmell et al.
D300,831 S	4/1989	Jenkins et al.
D306,583 S	3/1990	Krolopp et al.
D321,215 S	10/1991	Shamis
D321,855 S	11/1991	Ross, Jr.
D332,328 S	1/1993	Lombardi, Jr.
D333,574 S	3/1993	Ackeret
D337,569 S	7/1993	Kando
D340,917 S	11/1993	Sakaguchi et al.
D345,346 S	3/1994	Alfonso et al.
D346,589 S	5/1994	Andros
D361,552 S	8/1995	Iino
D377,169 S	1/1997	Chida
D396,452 S	7/1998	Naruki
D408,372 S	4/1999	Ota et al.
D410,440 S	6/1999	Carnell
D424,245 S	5/2000	Stoecker
D444,465 S	7/2001	Do
D448,764 S	10/2001	Marsalka et al.
D455,433 S	4/2002	Alviar et al.
D461,715 S	8/2002	Yokota
D461,802 S	8/2002	Tu
D467,890 S	12/2002	Lai et al.
D469,413 S	1/2003	To et al.
D483,037 S	12/2003	Whitehorn et al.
D484,471 S	12/2003	Lin et al.



# US D864,949 S

Page 2

D485,265 S	1/2004	Sato et al.	D604,729 S	11/2009	Andre et al.
D488,468 S	4/2004	Hu	D605,157 S	12/2009	Kim et al.
D488,469 S	4/2004	Batsikas	D606,129 S	12/2009	Ben-Moshe
D490,420 S	5/2004	Solomon et al.	D606,988 S	12/2009	Andre et al.
D492,684 S	7/2004	Ozolins et al.	D606,989 S	12/2009	Andre et al.
D497,364 S	10/2004	Ozolins et al.	D609,233 S	2/2010	Wood et al.
D500,037 S	12/2004	Ozolins et al.	D609,705 S	2/2010	Andre et al.
D502,173 S	2/2005	Jung et al.	7,660,560 B2	2/2010	Zuo et al.
D504,889 S	5/2005	Andre et al.	D611,048 S	3/2010	Wood et al.
D506,937 S	7/2005	Lee et al.	D613,283 S	4/2010	Andre et al.
D507,003 S	7/2005	Pai et al.	D613,735 S	4/2010	Andre et al.
D509,833 S	9/2005	Yang	D613,736 S	4/2010	Andre et al.
D511,342 S	11/2005	Chien	D615,083 S	5/2010	Andre et al.
D511,347 S	11/2005	Naruki	D620,488 S	7/2010	Andre et al.
D513,617 S	1/2006	Tierney	D621,397 S	8/2010	Andre et al.
D515,541 S	2/2006	Jensfelt	D622,720 S	8/2010	Andre et al.
D524,809 S	7/2006	Alcouloumre et al.	D624,519 S	9/2010	Shen et al.
D527,015 S	8/2006	Yang	D625,307 S	10/2010	Cheng
D528,561 S	9/2006	Ka-Wei et al.	D625,700 S	10/2010	Sandberg et al.
D529,045 S	9/2006	Shin	D626,437 S	11/2010	Lee et al.
D534,516 S	1/2007	Lheem	D627,778 S	11/2010	Akana et al.
D534,890 S	1/2007	Kim	D630,630 S	1/2011	Andre et al.
D535,281 S	1/2007	Yang	7,876,274 B2	1/2011	Hobson et al.
D536,329 S	2/2007	Lee	D633,493 S	3/2011	Akana et al.
D557,239 S	12/2007	Lee	D633,908 S	3/2011	Akana et al.
D557,259 S	12/2007	Hirsch	D636,392 S	4/2011	Akana et al.
D558,460 S	1/2008	Yu et al.	D636,769 S	4/2011	Wood et al.
D558,716 S	1/2008	Bae et al.	D638,030 S	5/2011	Akana et al.
D558,726 S	1/2008	Wang et al.	D638,814 S	5/2011	Sutherland et al.
D558,756 S	1/2008	Andre et al.	D638,835 S	5/2011	Akana et al.
D558,792 S	1/2008	Chigira	D640,658 S	6/2011	Knoppert et al.
D560,227 S	1/2008	Bennett et al.	D644,995 S	9/2011	Akana et al.
D560,231 S	1/2008	Lee	D647,519 S	10/2011	Rothbaum et al.
D560,683 S	1/2008	Lee	8,106,836 B2	1/2012	Hill et al.
D561,782 S	2/2008	Kim	D656,955 S	4/2012	Akana et al.
D562,285 S	2/2008	Lim	D662,922 S	7/2012	Akana et al.
D563,432 S	3/2008	Kim	8,213,168 B2	7/2012	McClure et al.
D567,819 S	4/2008	Devericks et al.	D669,915 S	10/2012	Akana et al.
D568,285 S	5/2008	Lee et al.	D671,930 S	12/2012	Akana et al.
D569,629 S	5/2008	Yu et al.	D671,937 S	12/2012	Akana et al.
D569,837 S	5/2008	Baik et al.	D672,343 S	12/2012	Akana et al.
D570,346 S	6/2008	Suk et al.	D677,657 S	3/2013	Akana et al.
D570,839 S	6/2008	Hofer et al.	D678,336 S	3/2013	Akana et al.
D572,694 S	7/2008	Park	D684,571 S	6/2013	Akana et al.
D573,143 S	7/2008	Park et al.	D688,661 S	8/2013	Ho et al.
D577,371 S	9/2008	Hu et al.	D690,693 S	10/2013	Akana et al.
D579,898 S	11/2008	Lee et al.	D691,133 S	10/2013	Akana et al.
D579,902 S	11/2008	Kim et al.	D692,878 S	11/2013	Akana et al.
D579,905 S	11/2008	Kim et al.	D706,776 S	6/2014	Akana et al.
D580,387 S	11/2008	Andre et al.	D710,843 S	8/2014	Akana et al.
D581,384 S	11/2008	Kim et al.	D712,405 S	9/2014	Akana et al.
D581,922 S	12/2008	Andre et al.	2003/0125079 A1	7/2003	Park et al.
D583,346 S	12/2008	Jung et al.	2003/0125959 A1	7/2003	Palmquist et al.
D583,796 S	12/2008	Tanaka	2003/0206202 A1	11/2003	Moriya
D584,272 S	1/2009	Chunat et al.	2005/0009556 A1	1/2005	Hickey et al.
D584,738 S	1/2009	Kim et al.	2005/0059438 A1	3/2005	Jellicoe
D587,267 S	2/2009	Wang	2006/0094464 A1	5/2006	Kyou et al.
D589,021 S	4/2009	Millora	2006/0281501 A1	12/2006	Zuo et al.
D591,252 S	4/2009	Kim et al.	2009/0247244 A1	10/2009	Mittleman et al.
D591,739 S	5/2009	Matsuoka	2009/0315690 A1	12/2009	Hwang et al.
D594,840 S	6/2009	Kim et al.	2010/0060563 A1	3/2010	Hayton et al.
D597,067 S	7/2009	Oh et al.	2010/0105452 A1	4/2010	Shin et al.
D598,014 S	8/2009	Marsh et al.	2011/0164370 A1	7/2011	McClure et al.
D598,414 S	8/2009	Joung et al.			
D598,887 S	8/2009	Xiao et al.			
D599,342 S	9/2009	Andre et al.			
D600,241 S	9/2009	Andre et al.			
D600,690 S	9/2009	Miyaji			
D601,353 S	10/2009	Sadler et al.			
D601,530 S	10/2009	Park et al.			
D601,583 S	10/2009	Andre et al.			
D602,014 S	10/2009	Andre et al.			
D602,015 S	10/2009	Andre et al.			
D602,486 S	10/2009	Andre et al.			
D602,488 S	10/2009	Jiang et al.			
D603,834 S	11/2009	Lyman et al.			
D604,293 S	11/2009	Andre et al.			
D604,297 S	11/2009	Andre et al.			
D604,716 S	11/2009	Oh et al.			

## FOREIGN PATENT DOCUMENTS

CA	72548	5/1993
CA	101263	1/2004
EM	000048061-0001	8/2003
EM	000046198-0001	11/2003
EM	000317490-0001	5/2005
EM	000257621-0004	7/2005
EM	000375191-0001	9/2005
EM	000493721-0002	5/2006
EM	000569157-0005	9/2006
EM	000569157-0007	9/2006
EM	000590831-0001	10/2006
EM	000590831-0003	10/2006
EM	000614565-0001	12/2006



EM	000632070-0007	1/2007
EM	000718770-0007	6/2007
EM	000748256-0003	8/2007
EM	000748280-0001	8/2007
EM	000748280-0004	8/2007
EM	000748280-0006	8/2007
EM	000748322-0001	8/2007
EM	000767959-0001	8/2007
EM	000784780-0001	10/2007
EM	000874466-0012	3/2008
EM	000910591-0001	4/2008
EM	000888920-0001	5/2008
EM	000888920-0018	5/2008
EM	000938071-0001	6/2008
EM	000939731-0001	6/2008
EM	000977822-0006	8/2008
EM	001016802-0001	1/2009
EM	001098149-0001	4/2009
EM	001098149-0007	4/2009
EM	001183461-0002	1/2010
EM	001668781-0001	2/2010
EM	001694712-0001	4/2010
ES	D0505712-01	4/2008
FI	4897	7/1980
FR	990052-001	5/1999
GB	2062780	5/1981
GB	1042780	12/1986
GB	2030050	10/1992
GB	2033245	8/1993
JP	000921403	3/1995
JP	001009317	5/1998
JP	001104685	3/2001
JP	D1124750	10/2001
JP	001142127	5/2002
JP	D1159881	12/2002
JP	D1178470	7/2003
JP	001188041	10/2003
JP	D1204221	5/2004
JP	001235888	4/2005
JP	001241638	6/2005
JP	D1241383	6/2005
JP	D1250487	9/2005
JP	001280315	9/2006
KR	30-0304213	8/2002
KR	30-0327126	6/2003
KR	30-0360712	9/2004
KR	30-0364845	10/2004
KR	30-0367347	11/2004
KR	30-0387059-3	7/2005
KR	30-0387130	7/2005
KR	30-0396917	11/2005
KR	30-0398307	11/2005
KR	30-0394921-1	12/2005
KR	30-0418422-1	7/2006
KR	30-0418547	7/2006
KR	30-0420200	7/2006
KR	30-0422221	8/2006
KR	30-0424148	9/2006
KR	30-0441230	2/2007
KR	30-0441230-1	2/2007
KR	30-0454592	7/2007
KR	30-0441230-2	8/2007
KR	30-0441230-3	8/2007
KR	30-0452985-2	8/2007
KR	30-0474260	12/2007
KR	30-0529167	5/2009
KR	30-0533504	7/2009
KR	30-0546031	11/2009
KR	30-0550428	1/2010
KR	30-0553546	2/2010
SE	55044	10/1993
TW	D106137	8/2005
TW	D123283	6/2008
TW	D126454	12/2008
TW	D126838	1/2009
TW	D126996	4/2009
TW	D126997	4/2009
TW	D129176	6/2009
TW	D131556	10/2009

TW	D132490	12/2009
TW	D139493	3/2011
WO	WO 01/88679 A2	11/2001
WO	WO 2004/023272	3/2004

OTHER PUBLICATIONS

Amazon, "Developing Tablet PC Applications—(Charles River Media Programming)," (<http://www.amazon.co.uk/Developing-Tablet-Applications-Charles-Programming/dp/1584502525>), retrieved Jul. 20, 2011, 4 pages.

Amazon, "Sharp Zaurus SI-6000L Handheld," (<http://www.amazon.com/Sharp-SL-6000L-Zaurus-Handheld/dp/B0001W17H2>), product available Mar. 12, 2004, 5 pages.

Association for Computing Machinery, The Open Video Project, "ACM CHI 1995—The Tablet Newspaper: A vision for the Future," (<http://www.open-video.org/details.php?videoid=8315&surrogate=storyboard>), 3 pages (1994).

Aumente, J., American Journalism Review, "Panel Vision," (<http://www.ajr.org/Article.asp?id=1257>), published Oct. 1994, 7 pages.

Blickenstorfer, C., PenComputing Magazine, "Tablet PCs: HP Compaq Tablet PC TC1000," ([http://pencomputing.com/frames/tpc\\_compaq.html](http://pencomputing.com/frames/tpc_compaq.html)), 3 pages (Dec. 2002).

Blickenstorfer, C., PenComputing Magazine, "Tablet PCs: Motion Computing M1200," ([http://pencomputing.com/frames/tpc\\_motion1200.html](http://pencomputing.com/frames/tpc_motion1200.html)), 3 pages (Dec. 2002).

Blickenstorfer, C., PenComputing Magazine, "Tablet PCs: ViewSonic V1100," ([http://pencomputing.com/frames/tpc\\_viewsonic.html](http://pencomputing.com/frames/tpc_viewsonic.html)), 3 pages (Dec. 2002).

Chi-atheneum, "Good Design 2003, an International Industrial and Graphic Design Competition," (<http://www.chi-atheneum.org/gdesign/winners03.htm>), retrieved Sep. 23, 2011, 7 pages.

COBY Communications Ltd., Consumer Electronics 2009 Fall, received by the JPO Industrial Property Library on Oct. 23, 2009; 1 page.

Computing History, "GRidPad 1910," (<http://computinghistory.org.uk/det/6565/GRidPad-1910>), retrieved Sep. 12, 2011, 2 pages.

DigiBarn Systems, "GRiDpad Pen Computer," (<http://www.digibarn.com/collections/systems/gridpad/index.html>), retrieved Sep. 23, 2011, 2 pages.

Edible Apple, "The first Apple Tablet . . . from 1979," (<http://www.edibleapple.com/the-first-apple-tablet-from-1979/>), published Nov. 23, 2009, 8 pages.

Electronista, "LG/Prada phone revealed?," (<http://www.electronista.com/articles/06/12/20/lg.prada.phone.revealed/>), updated Dec. 20, 2006, 9 pages.

EngineerBoy, CleverDonkey.com, "2001: A Space Odyssey and the iPad (or is it tamPod?)," (<http://www.cleverdonkey.com/1499-2001a-space-odyssey-and-the-ipad-or-is-it-tampod/>), published Feb. 2, 2010, 5 pages.

GSMarena.com, "LG KE850 Prada," ([http://www.gsmarena.com/lg\\_ke850\\_prada-1828.php](http://www.gsmarena.com/lg_ke850_prada-1828.php)), accessed Feb. 20, 2007, 4 pages.

GSMarena.com, "Phillips S900," ([http://www.gsmarena.com/philips\\_s900-1598.php](http://www.gsmarena.com/philips_s900-1598.php)), accessed Feb. 20, 2007, 2 pages.

Hagen, R., GadgetZone, "iHolic portable mediaspeler," (<http://www.gadgetzone.nl/nieuws.php?id=3191>), published Jan. 4, 2007, 3 pages.

Hamamatsu Toa Electric Co. Ltd., Smartphone BM-170, received by the JPO Industrial Property Library on Mar. 26, 2010; 1 page.

iF Design, "iF product design award 2007," ([http://www.ifdesign.de/beitragsdetails\\_e.html?offset=87&sprache=2&award\\_id=121&beit...](http://www.ifdesign.de/beitragsdetails_e.html?offset=87&sprache=2&award_id=121&beit...)), accessed on Sep. 21, 2011, 1 page.

Martin, T., "The Tablet Newspaper: A Vision for the Future," Human Factors in Computing Systems, Chi '95 Conference Companion, pp. 425, Colorado, United States (May 1995).

Mobiface, "The Black Box," (<http://www.mobiface.com/view.php?id=53>), published Sep. 28, 2006, 5 pages.

NewLaunches, "LG Prada cell phones are truly iconic," ([http://www.newlaunches.com/archives/lg\\_prada\\_cell\\_phones\\_are\\_truly\\_iconic.php](http://www.newlaunches.com/archives/lg_prada_cell_phones_are_truly_iconic.php)), retrieved Sep. 12, 2011, 3 pages.

NewLaunches, "LG Wears Prada," ([http://www.newlaunches.com/archives/lg\\_wears\\_prada.php](http://www.newlaunches.com/archives/lg_wears_prada.php)), retrieved Sep. 23, 2011, 2 pages.



Newlaunches.com, "PIDION BM-200 sleek Windows CE PDA phone from Bluebird," ([http://www.newlaunches.com/archives/pidion\\_bm200\\_sleek\\_windows\\_ce\\_pda\\_phone\\_from\\_bluebird.php](http://www.newlaunches.com/archives/pidion_bm200_sleek_windows_ce_pda_phone_from_bluebird.php)), published Dec. 15, 2005, 3 pages.

Patel, "The HP Slate" (<http://www.engadget.com/2010/01/06/the-hp-slate/>), Engadget.com, published Jan. 6, 2010, 4 pages.

PC Magazine, "HP Compaq Tablet PC TC1000," (<http://www.pcmag.com/article2/0,2817%20,939500,00.asp>), published Apr. 8, 2003, 3 pages.

PDADB.net, "Bluebird Pidion BM-200 Specs," ([http://pdadb.net/index.php?m=specs&id=1804&c=bluebird\\_pidion\\_bm-200](http://pdadb.net/index.php?m=specs&id=1804&c=bluebird_pidion_bm-200)), published Mar. 24, 2008, 3 pages.

PDADB.net, "Sony Clie PEG-SL10 / PEG-SL10U / PEG-SL10E Specs," ([http://pdadb.net/index.php?m=specs&id=1198&c=sony\\_clie\\_peg-sl10\\_peg-sl10u\\_peg-sl10e](http://pdadb.net/index.php?m=specs&id=1198&c=sony_clie_peg-sl10_peg-sl10u_peg-sl10e)), published Mar. 4, 2008, 3 pages.

Ricker, "LG's KE850 Prada official: iPhone says, wha?" Engadget.com, (<http://www.engadget.com/2007/01/18/lgs-ke850-prada-official-iphone-says-wha/>), published Jan. 18, 2007, 4 pages.

Ricker, "Meizu's M8? Apple lawyers, start your engines," Engadget.com, (<http://www.engadget.com/2007/01/29/meizus-m8-apple-lawyers-start-your-engines/>), published Jan. 29, 2007, 1 page.

Ricker, "The Pidion BM-200: it's time to move to Seoul," (<http://www.engadget.com/2005/10/04/the-pidion-bm-200-its-time-to-move-to-seoul/>), Engadget.com, published Oct. 4, 2005, 4 pages.

S. Dimitris, "Pidion BM200 Smartphone," PDASNews, ([www.pdasnews.com/articles/pidion-bm200-smartphone.html](http://www.pdasnews.com/articles/pidion-bm200-smartphone.html)), accessed Mar. 7, 2012, 2 pages.

Samsung, "Samsung F700 is razendsnelle alleskunner voor mobiel breedband van Vodafone," ([http://www.samsung.com/nl/mobile/pressView.do?type=press&page=13&news\\_seq=22544](http://www.samsung.com/nl/mobile/pressView.do?type=press&page=13&news_seq=22544)), published May 25, 2008, 2 pages.

Samsung, "Samsung Unveils Revolutionary Ultra Smart F700," ([http://www.samsung.com/us/news/newsRead.do?news\\_seq=3516](http://www.samsung.com/us/news/newsRead.do?news_seq=3516)), published Nov. 23, 2009, 2 pages.

Van Reeth, J., "Vantage is showing its colours!," Home automation journal 11:1-8, Vantage Emea, Belgium (Jun. 2003).

Vasile, C., Softpedia, "MobilePen: An Expensive but Helpful Touchscreen," (<http://news.softpedia.com/news/MobilePen-An-Expensive-But-Helpful-Touchscreen-16192.shtml>), published Jan. 12, 2006, 2 pages.

Vilas-Boas, "Industrial Design Portfolio," published 2004, 6 pages.

Wikipedia, "Etch a Sketch," ([http://en.wikipedia.org/wiki/Etch\\_a\\_sketch](http://en.wikipedia.org/wiki/Etch_a_sketch)), last modified Aug. 24, 2011, 4 pages.

Wikipedia, "MessagePad," (<http://en.wikipedia.org/wiki/Messagepad>), retrieved Sep. 12, 2011, 10 pages.

Wikipedia.org, "File:LG KE850 Prada Hauptmenü.jpg," ([http://en.wikipedia.org/wiki/File:LG\\_KE850\\_Prada\\_Hauptmen%C3%BC.jpg](http://en.wikipedia.org/wiki/File:LG_KE850_Prada_Hauptmen%C3%BC.jpg)), accessed Feb. 12, 2012, 4 pages.

ZDNet, "Viewsonic V1100," (<http://www.zdnet.nl/reviews/24712/viewsonic-v1100/>), published Feb. 17, 2003, 9 pages.

Ziegler, C., Engadget, "The LG KE850: touchable chocolate," (<http://mobile.engadget.com/2006/12/15/the-lg-ke850-touchable-chocolate/>), published Dec. 15, 2006, 5 pages.

Schwichtenbert, V., "Test: Sony Ericsson W950i," [http://www.chip.de/artikel/Sony-Ericsson-W950i-Test\\_18777095.html](http://www.chip.de/artikel/Sony-Ericsson-W950i-Test_18777095.html), published Nov. 30, 2006, 11 pages.

Apple.com, "Apple—iPhone—Gallery," (<http://web.archive.org/web/20070705201012/http://www.apple.com/iphone/gallery/index8.html>), dated Jul. 5, 2007, accessed Mar. 28, 2013, 1 page.

Blogitech.co.uk, "Sharp WX-T825 (Softbank 825SH) arrives Taiwan," (<http://blogitechnews.blogspot.co.uk/2008/10/sharp-wx-t825-softbank-825sh-arrives.html>), published Oct. 3, 2008, 2 pages.

Chan, Meng, "LG BL40 New Chocolate," MassOrder Mobile Tech Blog, (<http://massordermobile.blogspot.co.uk/2009/11/lg-b140-new-chocolate.html>), published Nov. 17, 2009, 7 pages.

Har-Even, Benny, "iRiver U10 media player," The Register, ([http://www.theregister.co.uk/2006/01/19/review\\_iriver\\_u10/print.html](http://www.theregister.co.uk/2006/01/19/review_iriver_u10/print.html)), published Jan. 19, 2006, 5 pages.

Justia, "Apple v. Samsung Electronics Co. Ltd. et al., Filing: 943 Attachment: 5," (<http://docsjustia.com/cases/federal/district-courts/california/candce/5:2011cv01846/239768/943/5.html>), dated May 18, 2012, 3 pages.

Lee, Tommy, "Cookie phone pink, LG Electronics Cyon LG-LU9100," (<http://diner.tistory.com/m/post/view/id/211>), published Jul. 14, 2009, 8 pages.

Mobilegazette.com, "Acer DX900 / E-TEN Glofiish DX900," (<http://www.mobilegazette.com/acer-dx900-09x02x04.htm>), published Feb. 4, 2009, 3 pages.

Mobilegazette.com, Apple iPhone 3G, (<http://www.mobilegazette.com/apple-iphone-3g-08x06x09.htm>), published Jun. 9, 2008, 5 pages.

Mobilegazette.com, "E-TEN Glofiish X650," (<http://www.mobilegazette.com/eten-glofiish-x650-08x01x12.htm>), published Jan. 12, 2008, 2 pages.

Mohindru, Ravin, "New iPod touch 4G (4th gen) First Impressions," TouchReviews.net, (<http://touchreviews.net/ipod-touch-4g-4-impressions/>), published Sep. 7, 2010, 10 pages.

Support.Apple.com, "Identifying iPhone Models," (<http://web.archive.org/web/20121211214303/http://support.apple.com/kb/HT3939>), last modified Oct. 30, 2012, 5 pages.

Support.Apple.com, "Identifying iPod Models," (<http://web.archive.org/web/20121024182303/http://support.apple.com/kb/HT1353>), last modified Apr. 6, 2012, 16 pages.

LG KE850 Prada, reviewed May 16, 2007 [online], [retrieved Sep. 4, 2013]. Retrieved from Internet, [http://reviews.cnet.com/cell-phones/lgke850-prada-unlocked/4505-6454\\_7-32316442.html](http://reviews.cnet.com/cell-phones/lgke850-prada-unlocked/4505-6454_7-32316442.html).

LG KE850 Prada, no date [online], [retrieved Sep. 4, 2013]. Retrieved from Internet, [http://www.pid-handyfit.de/bilddatenbank/021\\_000/21114.jpg](http://www.pid-handyfit.de/bilddatenbank/021_000/21114.jpg).

*Primary Examiner* — Barbara Fox  
(74) *Attorney, Agent, or Firm* — Sterne, Kessler, Goldstein & Fox P.L.L.C.

(57) **CLAIM**

The ornamental design for an electronic device, as shown and described.

#### DESCRIPTION

FIG. 1 is a bottom front perspective view of an electronic device showing the claimed design;  
FIG. 2 is a top front perspective view thereof;  
FIG. 3 is a top rear perspective view thereof;  
FIG. 4 is a bottom rear perspective view thereof;  
FIG. 5 is a front view thereof;  
FIG. 6 is a rear view thereof;  
FIG. 7 is a top view thereof;  
FIG. 8 is a bottom view thereof;  
FIG. 9 is a left side view thereof; and,  
FIG. 10 is a right side view thereof.

The shade lines in the figures show contour and not surface ornamentation.

The broken lines in the figures show portions of the electronic device that form no part of the claimed design.

The oblique shade lines in the figures show transparency or translucency.

**1 Claim, 8 Drawing Sheets**

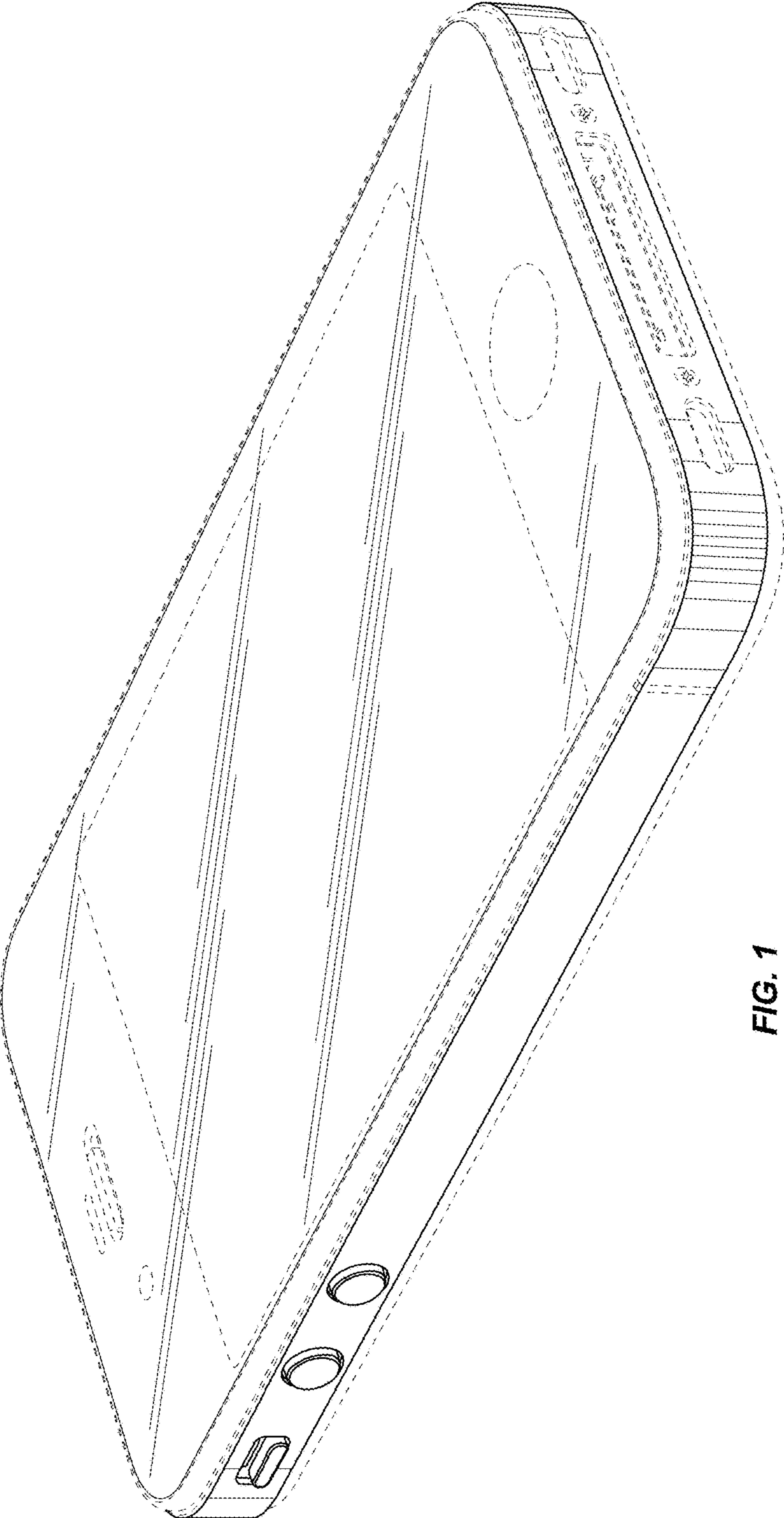


FIG. 1



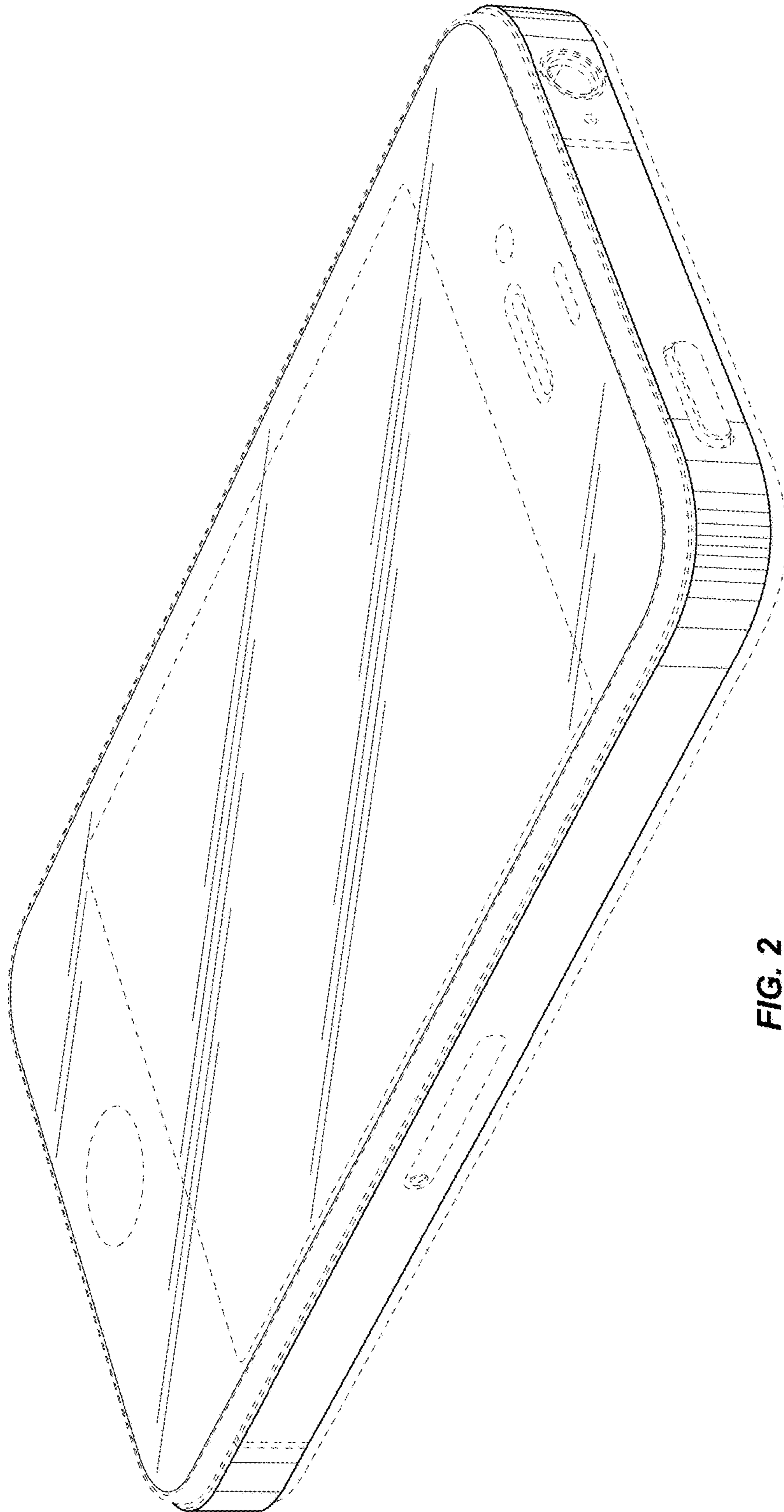


FIG. 2

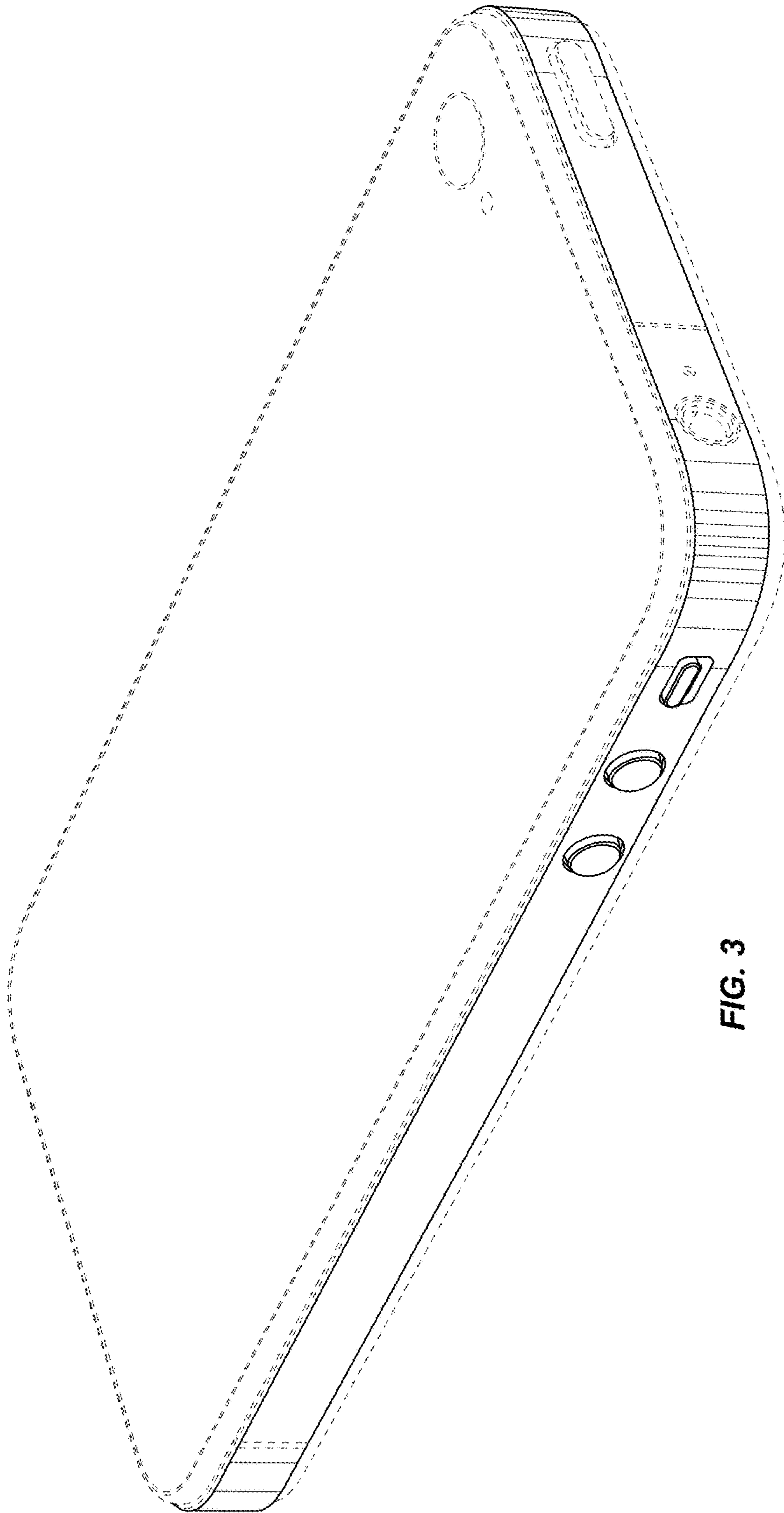


FIG. 3

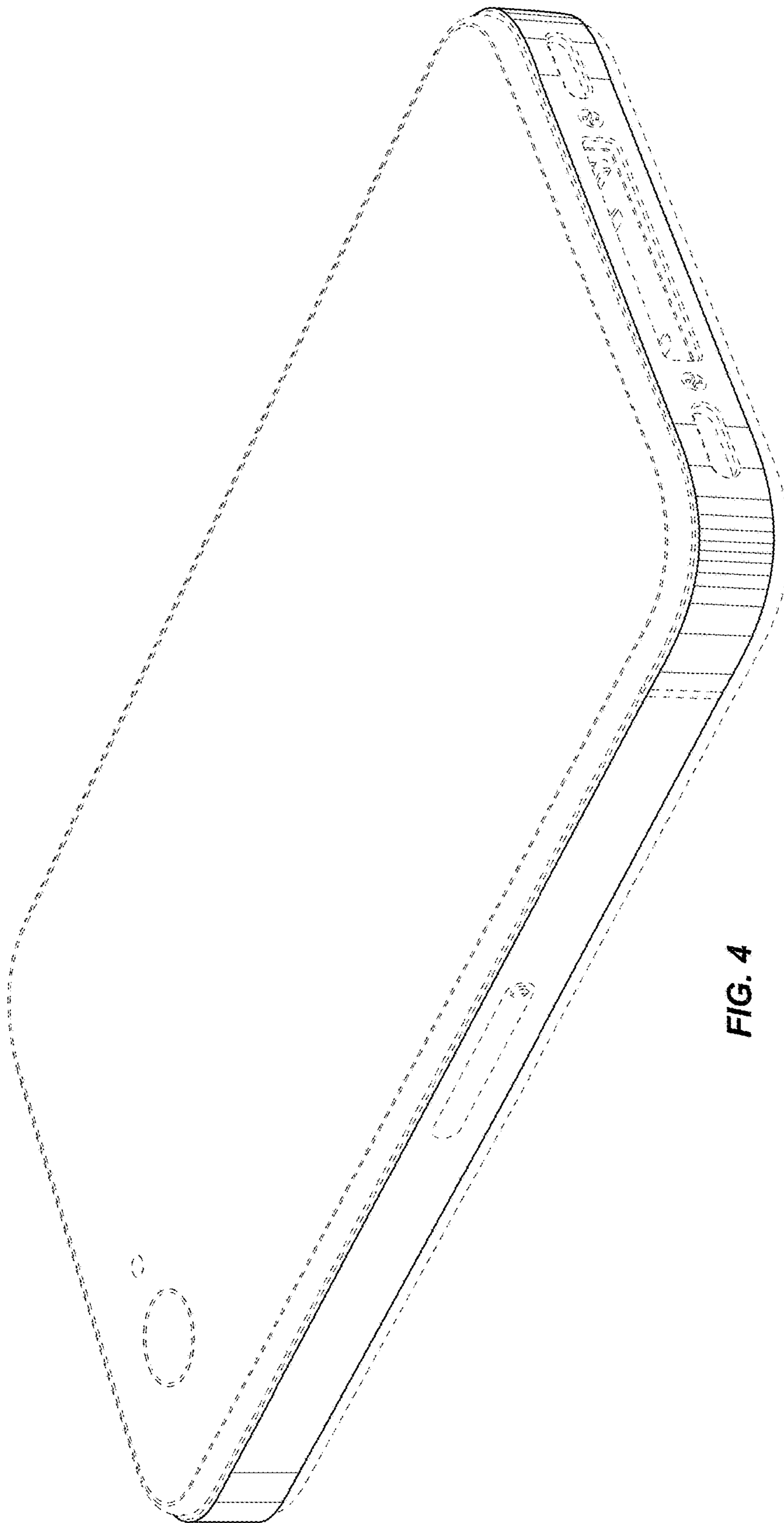


FIG. 4



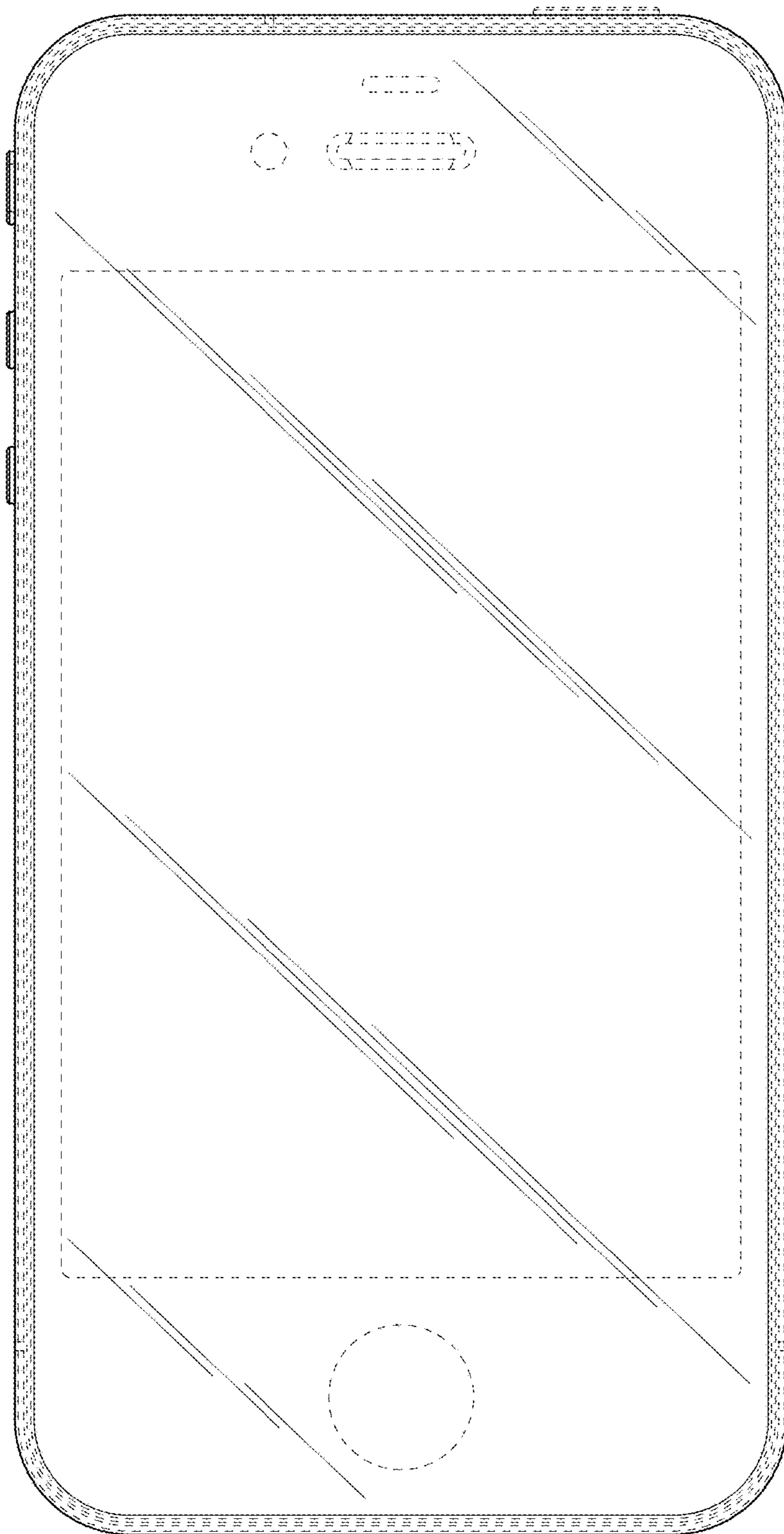
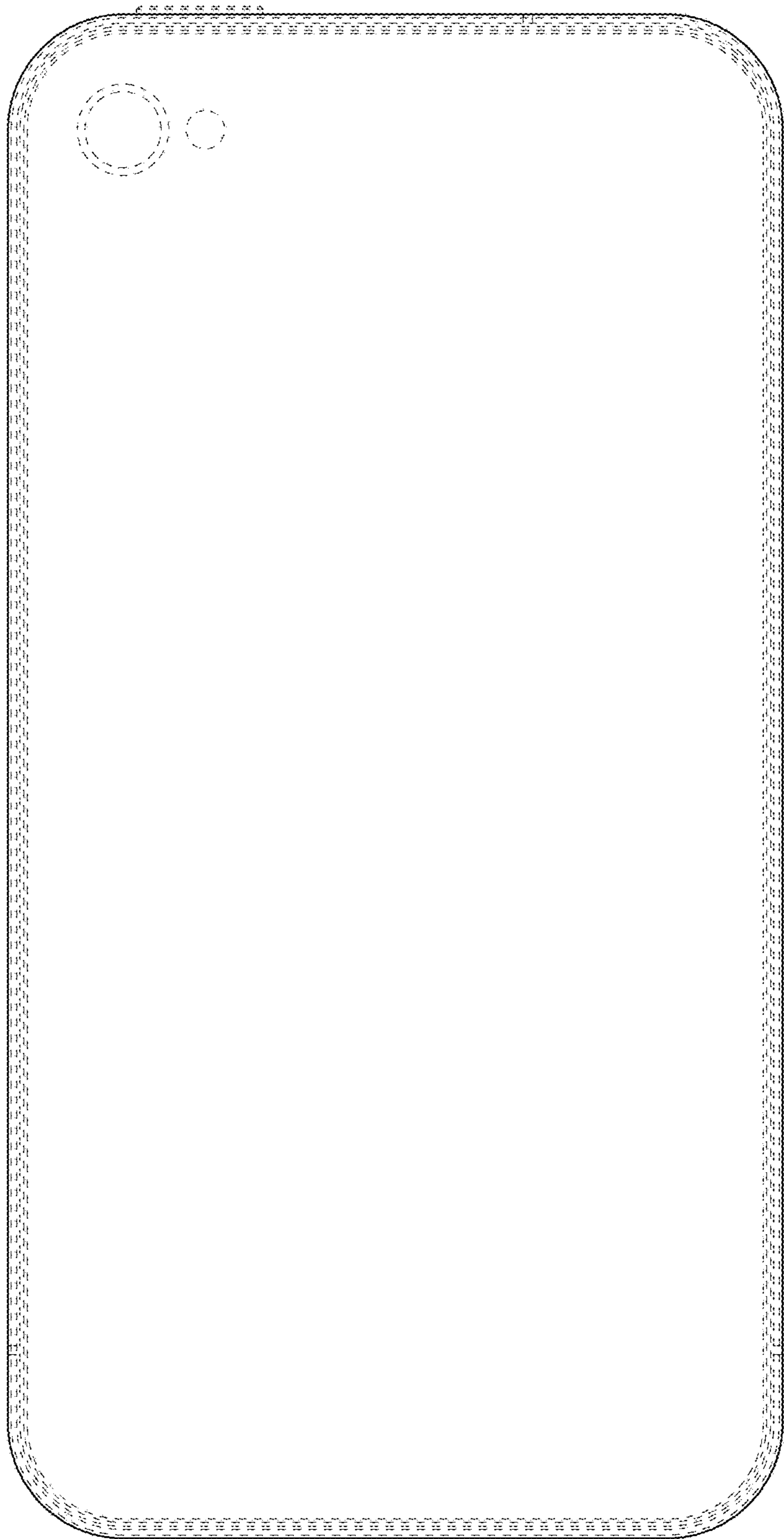
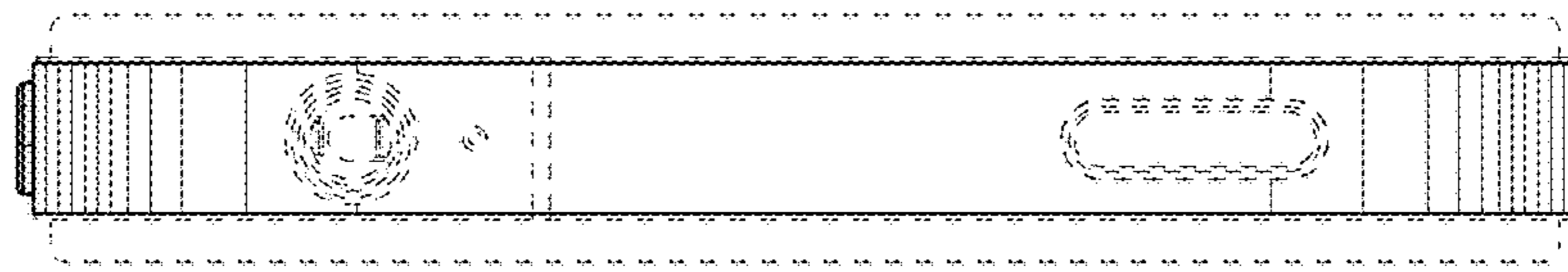


FIG. 5

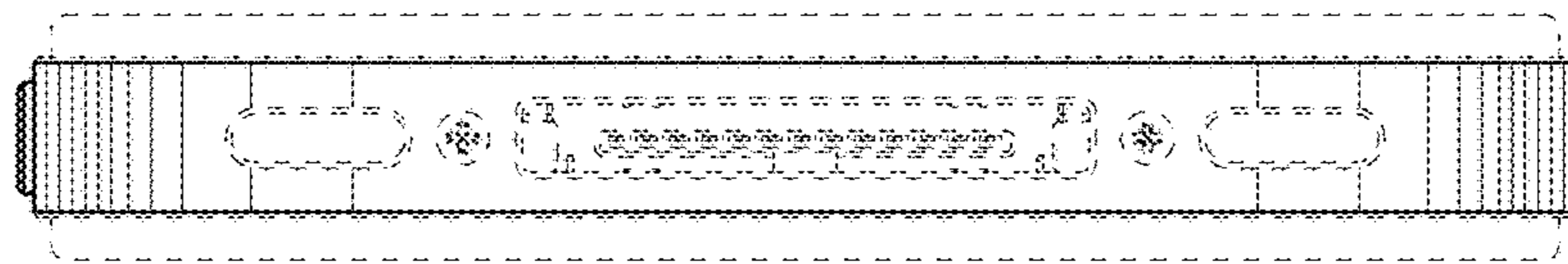


**FIG. 6**





**FIG. 7**



**FIG. 8**

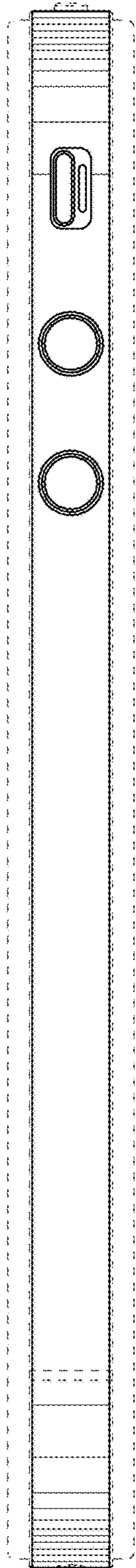


FIG. 9

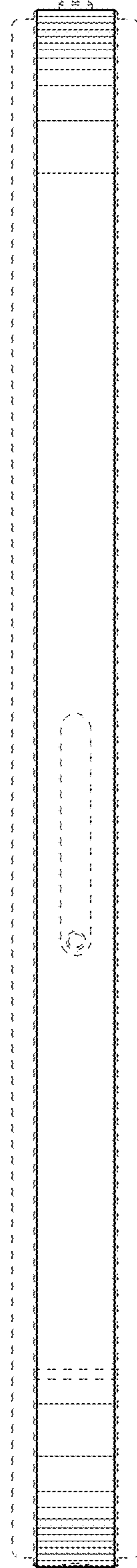


FIG. 10