



US00D864947S

(12) **United States Design Patent** (10) **Patent No.:** **US D864,947 S**
van de Poll (45) **Date of Patent:** **** *Oct. 29, 2019**

(54) **KIOSK**
(71) Applicant: **CITYBEACON IP BV**, Rotterdam (NL)
(72) Inventor: **Arthur van de Poll**, Rotterdam (NL)
(73) Assignee: **CITYBEACON IP BV**, Rotterdam (NL)
(*) Notice: This patent is subject to a terminal disclaimer.
(**) Term: **15 Years**
(21) Appl. No.: **29/583,493**
(22) Filed: **Nov. 6, 2016**
(51) **LOC (12) Cl.** **14-02**
(52) **U.S. Cl.**
USPC **D14/307**
(58) **Field of Classification Search**
USPC D14/302-307, 900-902; D13/163;
D20/10; D21/332, 325, 369, 370;
D99/28; D6/397, 466; 194/206;
361/679.01, 679.02, 679.04, 679.21,
361/679.57, 725
CPC G06Q 20/18; G06Q 20/10; G06Q 20/123;
G06Q 20/20; G06Q 30/02; G06Q 30/06;
A47F 9/047
See application file for complete search history.

D727,308 S * 4/2015 Kraft D14/307
D732,520 S * 6/2015 Themann D14/307
D751,061 S * 3/2016 Berini D14/307
D762,635 S * 8/2016 Szeredi D14/307
D767,559 S * 9/2016 Pfeiffer D14/307
D769,864 S * 10/2016 Hoffmann D14/307
D774,029 S * 12/2016 Kim D14/307
D778,276 S * 2/2017 Berini D14/307
D781,843 S * 3/2017 Horn, II D14/307
D782,467 S * 3/2017 Bladwell D14/307
D783,596 S * 4/2017 Payne D14/307
D788,098 S * 5/2017 Thornton D14/307
D792,388 S * 7/2017 Taylor D14/307
D799,470 S * 10/2017 Brown D14/307
D799,471 S * 10/2017 Brown D14/307
D800,715 S * 10/2017 Kane D14/307
D805,065 S * 12/2017 Taylor D14/307
D811,381 S * 2/2018 Morohoshi D14/307
D813,223 S * 3/2018 Munro D14/307

* cited by examiner

Primary Examiner — Austin Murphy
(74) *Attorney, Agent, or Firm* — AlphaPatent Associates, Ltd; Daniel J. Swirsky

(57) **CLAIM**

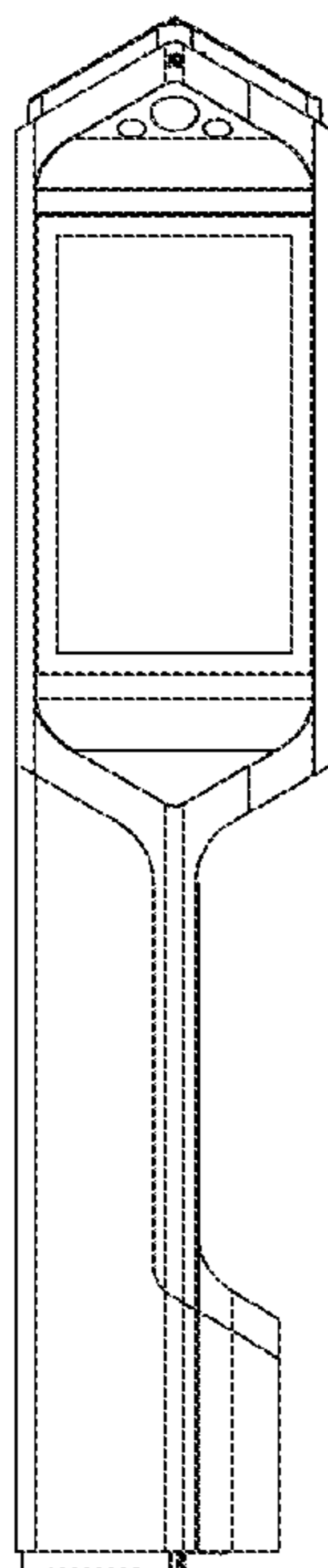
I claim the ornamental design for a kiosk, substantially as shown and described.

DESCRIPTION

FIG. 1 is a front View of a kiosk in accordance with our new design;
FIG. 2 is a side View of the kiosk; and,
FIG. 3 is an isometric View of the kiosk.
All surfaces not shown form no part of the claimed design.

1 Claim, 3 Drawing Sheets

(56) **References Cited**
U.S. PATENT DOCUMENTS
D705,213 S * 5/2014 Smith D14/307
D707,674 S * 6/2014 Daniel D14/307



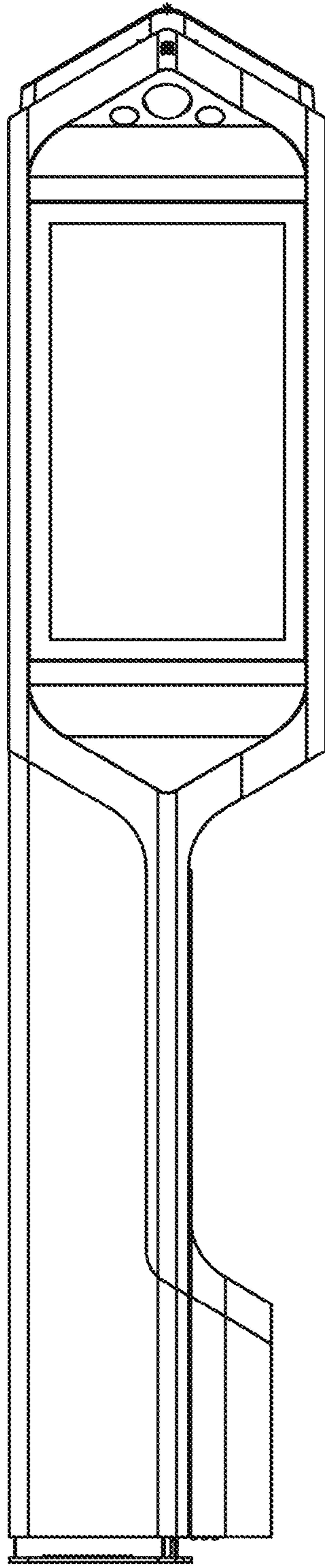


FIG. 1

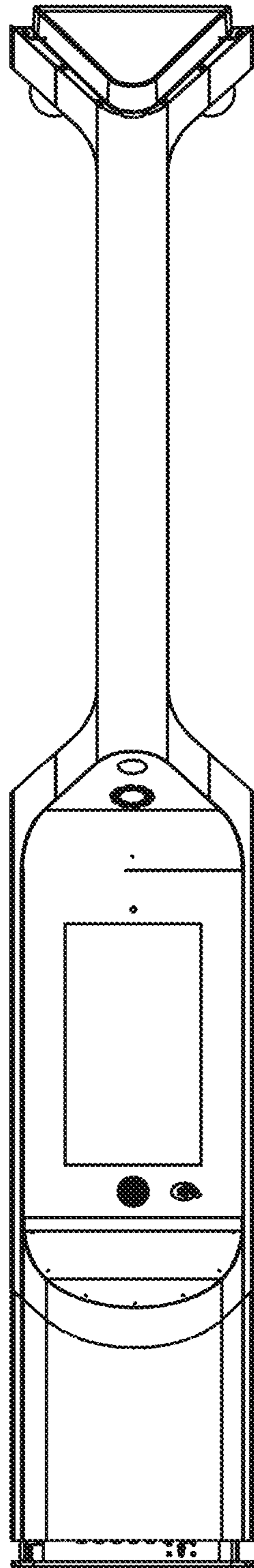


FIG. 2

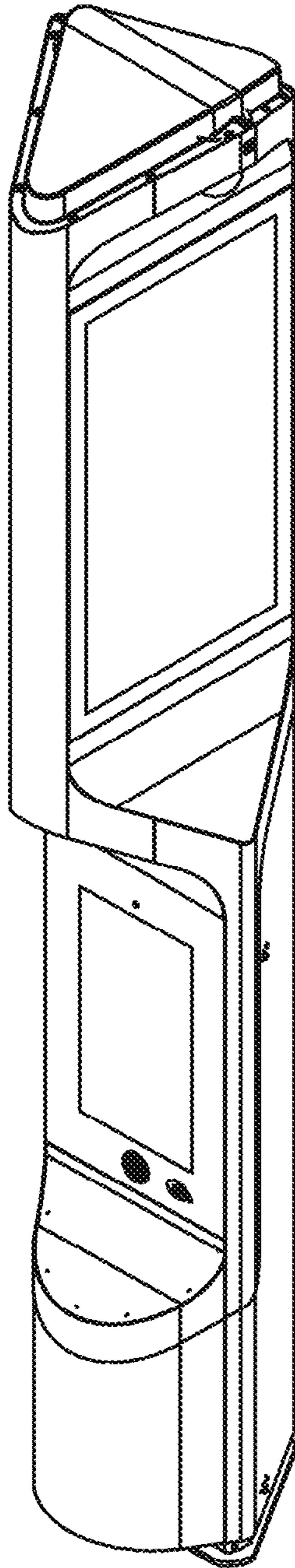


FIG. 3