

US00D864946S

(12) **United States Design Patent**
Zhang et al.

(10) **Patent No.:** **US D864,946 S**

(45) **Date of Patent:** **** Oct. 29, 2019**

(54) **MOBILE PHONE STAND**

(71) Applicant: **Shenzhen You & Me Electronic Co., Ltd.**, Shenzhen (CN)

(72) Inventors: **Fei Zhang**, Shenzhen (CN); **Jun Mun Koh**, Shenzhen (CN)

(**) Term: **15 Years**

(21) Appl. No.: **29/602,558**

(22) Filed: **May 2, 2017**

(51) **LOC (12) Cl.** **14-03**

(52) **U.S. Cl.**

USPC **D14/253**; D14/252

(58) **Field of Classification Search**

USPC D14/217, 224, 251–253, 447, 451–452, D14/144, 434; D3/218; D12/114, 177, D12/187, 223, 400, 415, 417; D13/108

CPC F16M 13/022; F16M 11/041; F16M 13/02; F16M 11/10; F16M 13/04; F16M 13/00; F16M 11/14; F16M 11/06; F16M 11/2021; F16M 11/38; F16M 11/04; F16M 11/18; F16M 11/22; G03B 17/561; G03B 17/566; G03B 17/563; H04M 1/04; B60R 11/02; B60R 11/0241; F16B 1/00; F16B 2001/0035; H04N 5/2252; H04N 5/2251

See application file for complete search history.

(56) **References Cited**

U.S. PATENT DOCUMENTS

D427,888 S *	7/2000	Hannon	D8/354
D527,728 S *	9/2006	Sbordone, Jr.	D14/253
D571,188 S *	6/2008	Brassard	D8/354
D608,351 S *	1/2010	Song	D13/108
7,923,964 B2 *	4/2011	Lin	H02J 7/0044 320/107
D662,083 S *	6/2012	Akana	D14/217
D667,003 S *	9/2012	Richter	D14/253
8,497,659 B2 *	7/2013	Navid	H02J 7/0045 320/108

D692,010 S *	10/2013	Verghese	D14/447
D705,105 S *	5/2014	Solstad	D10/106.1
D711,885 S *	8/2014	Ohshima	D14/434
D762,650 S *	8/2016	Dang	D14/434
D765,662 S *	9/2016	Kang	D14/251
D770,436 S *	11/2016	Schwarz	D14/251
D772,216 S *	11/2016	Lau	D13/108
D772,220 S *	11/2016	Daniels	D12/114
D775,874 S *	1/2017	Huang	D6/677.4
D788,094 S *	5/2017	Kim	D14/250
D790,990 S *	7/2017	Hopkins	D10/28
D799,463 S *	10/2017	Deng	D14/252
D805,522 S *	12/2017	Won	D14/451

(Continued)

OTHER PUBLICATIONS

ARCHEER 4 in 1 Apple Watch Stand iPhone Charging Dock with 8 Pin Lightning Adapter, date first reviewed Mar. 28, 2016, <https://www.amazon.com/ARCHEER-Charging-Lightning-Adapter-Station/dp/B01LMUP0H4/ref=cm_cr_ar_p_d_product_top?ie=UTF8>.*

Primary Examiner — Cathron C Brooks

Assistant Examiner — Sharon S Oum

(74) *Attorney, Agent, or Firm* — Prakash Nama; Global IP Services, PLLC

(57) **CLAIM**

The ornamental design for a mobile phone stand, as shown.

DESCRIPTION

FIG. 1 is a front elevational view of a mobile phone stand showing our new design;

FIG. 2 is a rear elevational view thereof;

FIG. 3 is a left side view thereof;

FIG. 4 is a right side view thereof;

FIG. 5 is a top plan view thereof;

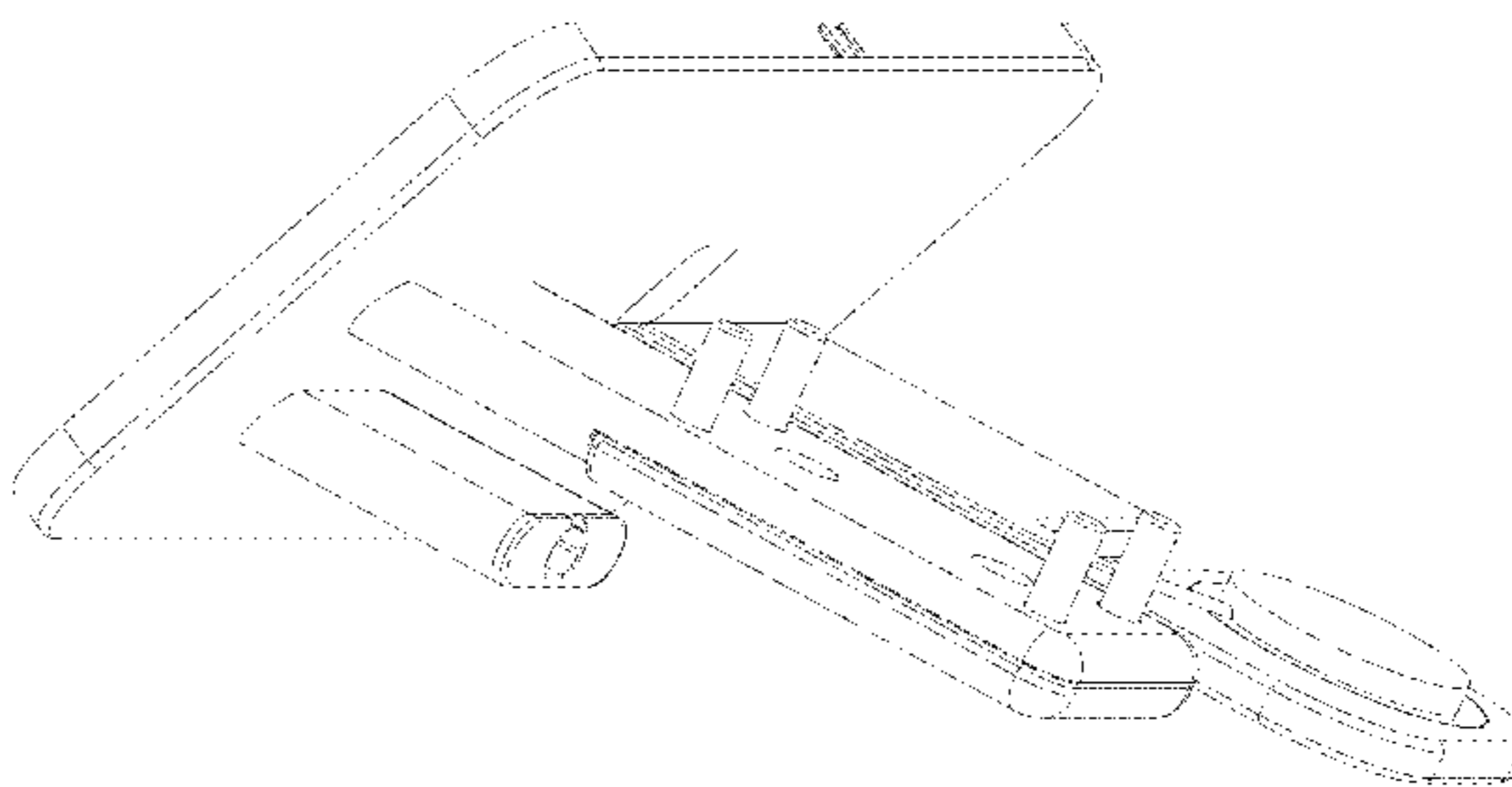
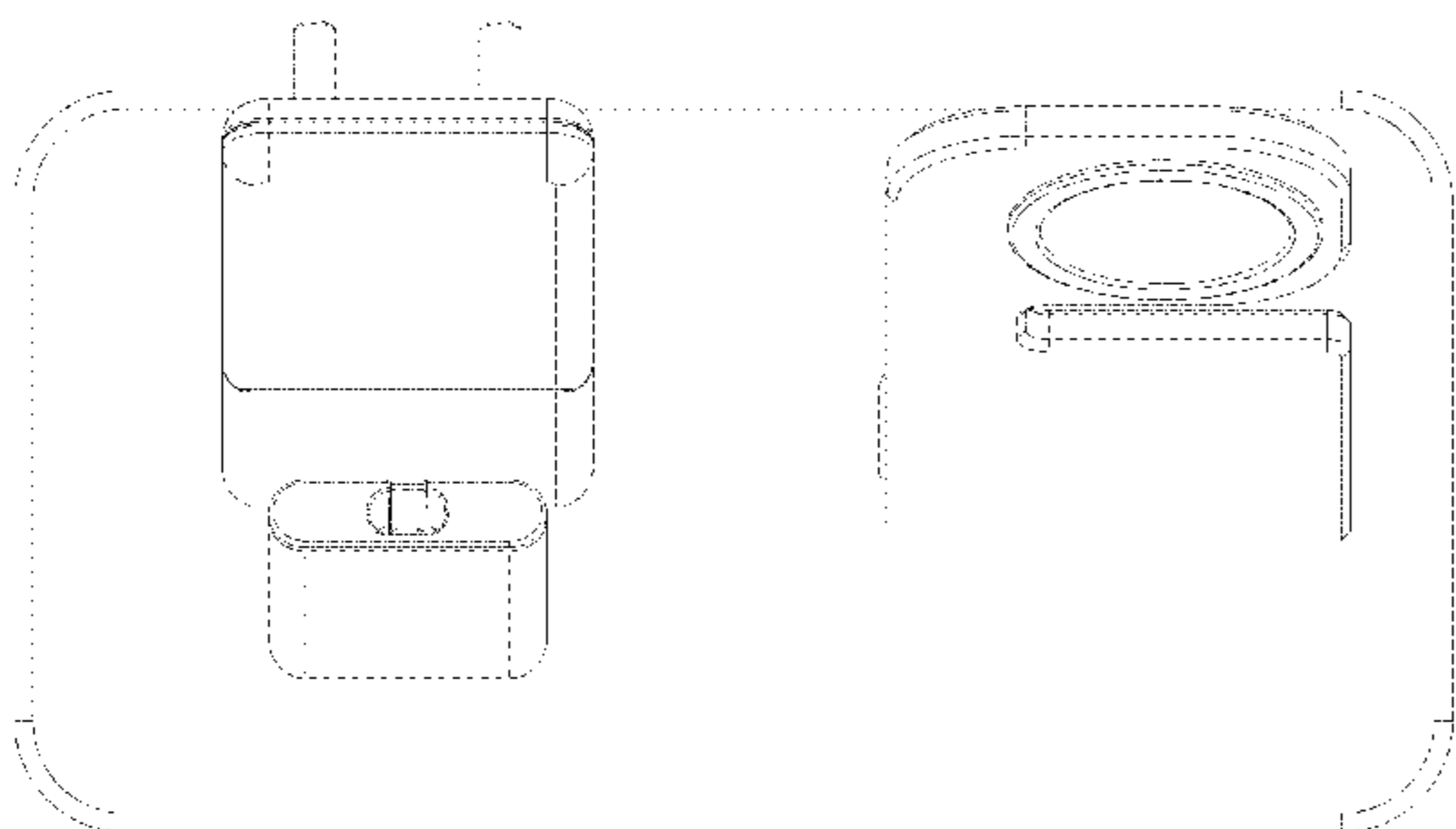
FIG. 6 is a bottom plan view thereof;

FIG. 7 is a perspective view thereof;

FIG. 8 is a second perspective view thereof; and,

FIG. 9 is a third perspective view thereof.

1 Claim, 9 Drawing Sheets



(56)

References Cited

U.S. PATENT DOCUMENTS

D812,564 S *	3/2018	Feng	D13/108
2007/0135174 A1 *	6/2007	Musk	H02J 7/0044
			455/569.1

* cited by examiner

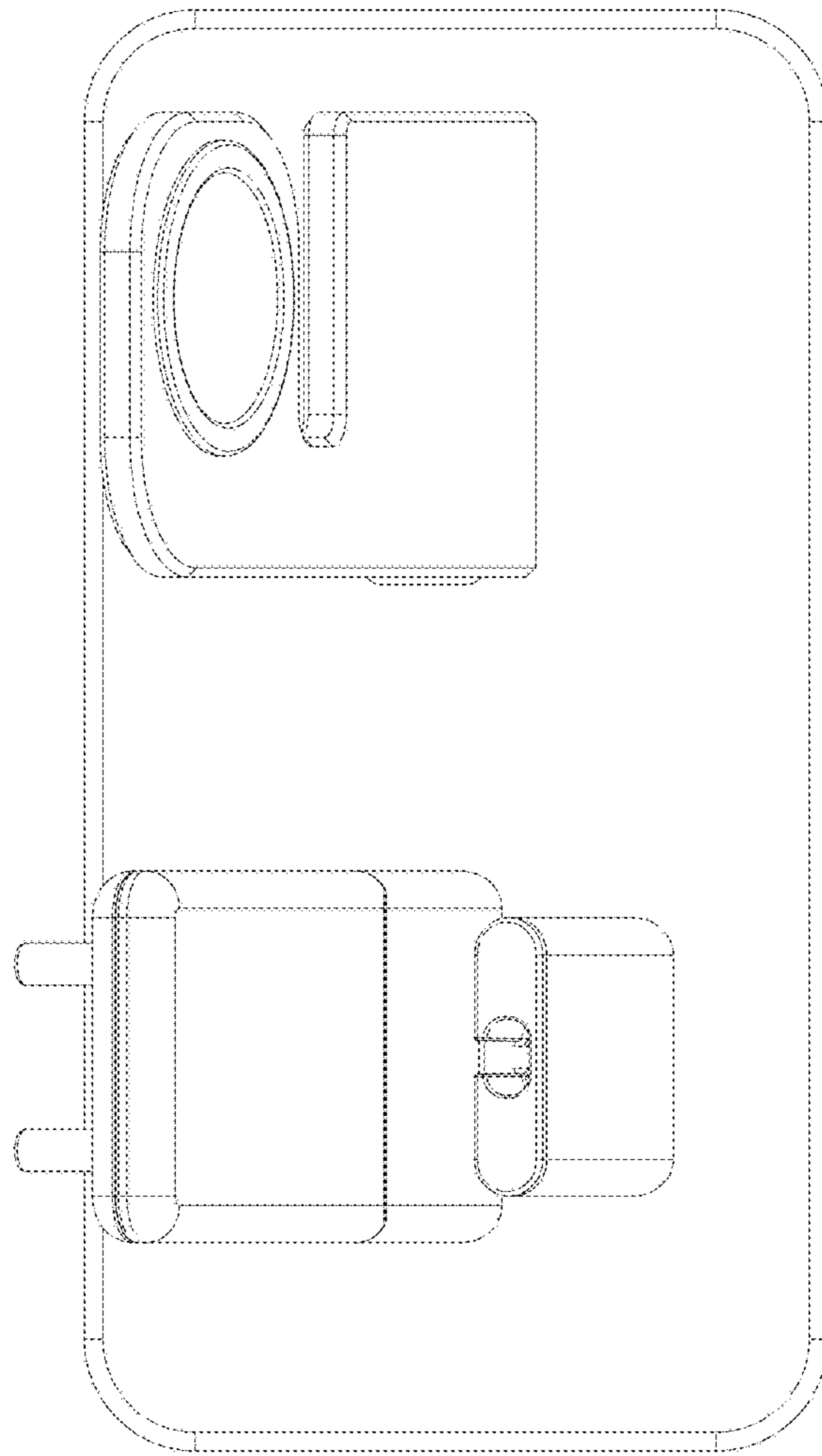


Fig. 1

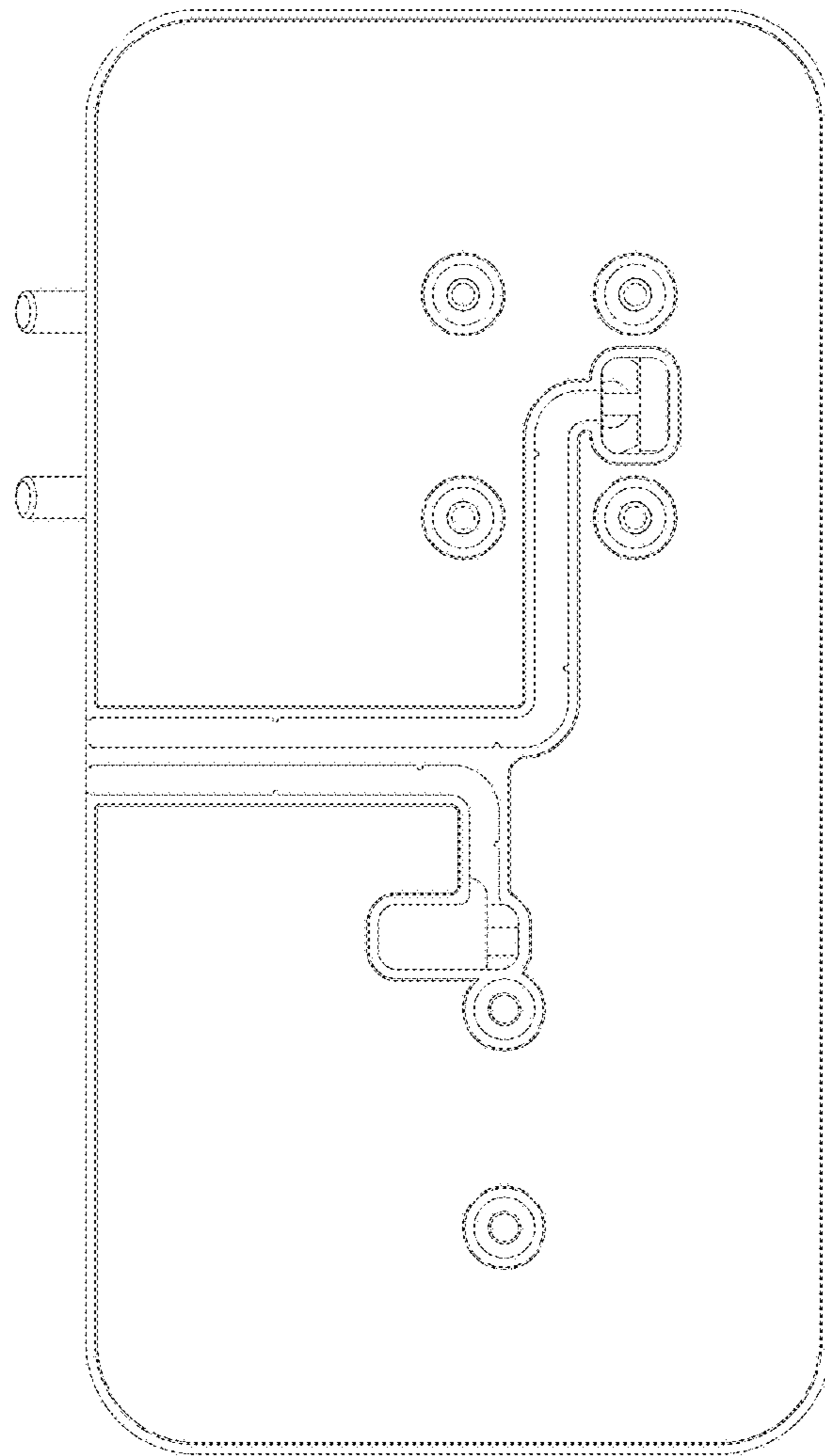


Fig. 2

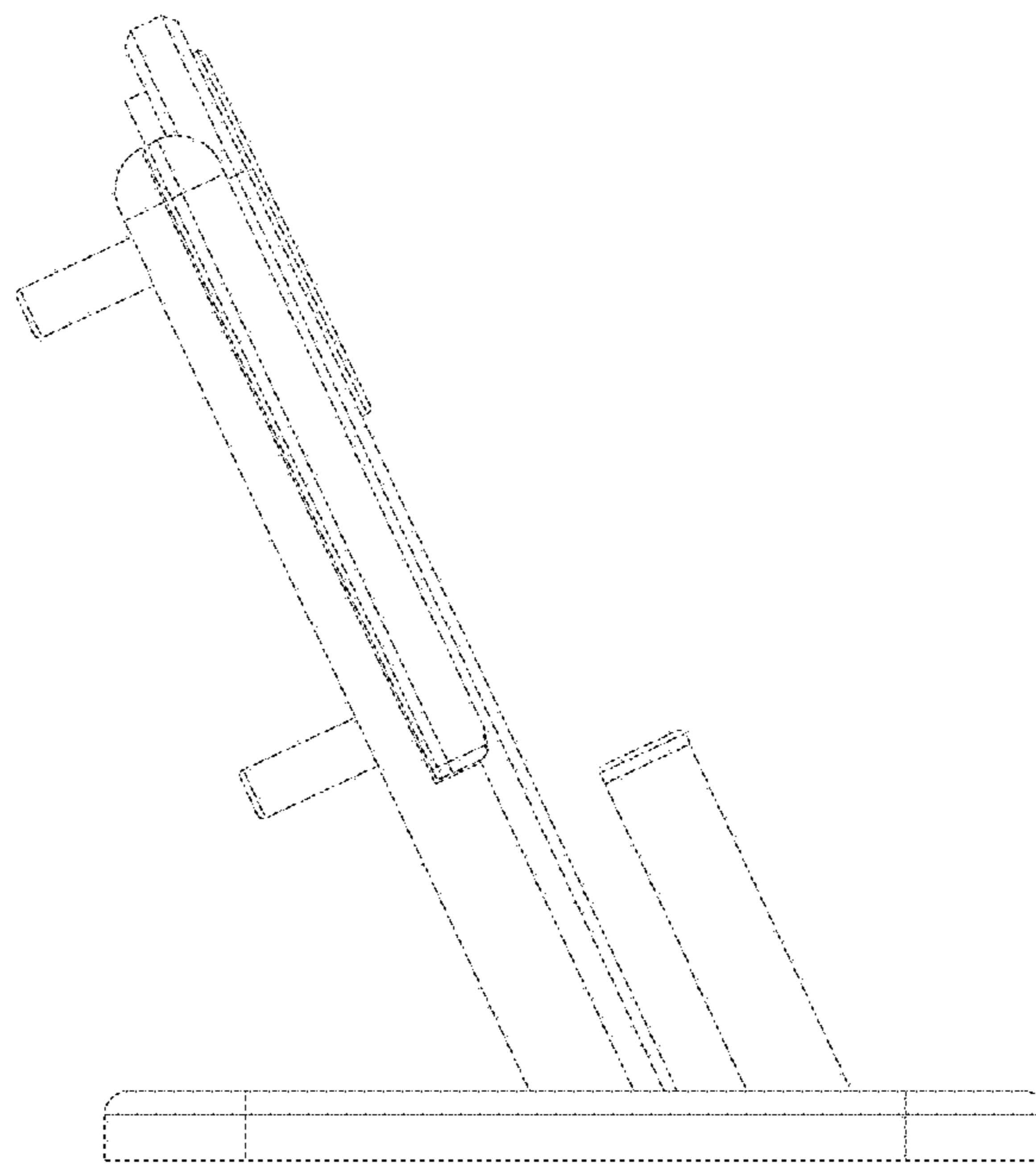


Fig. 3

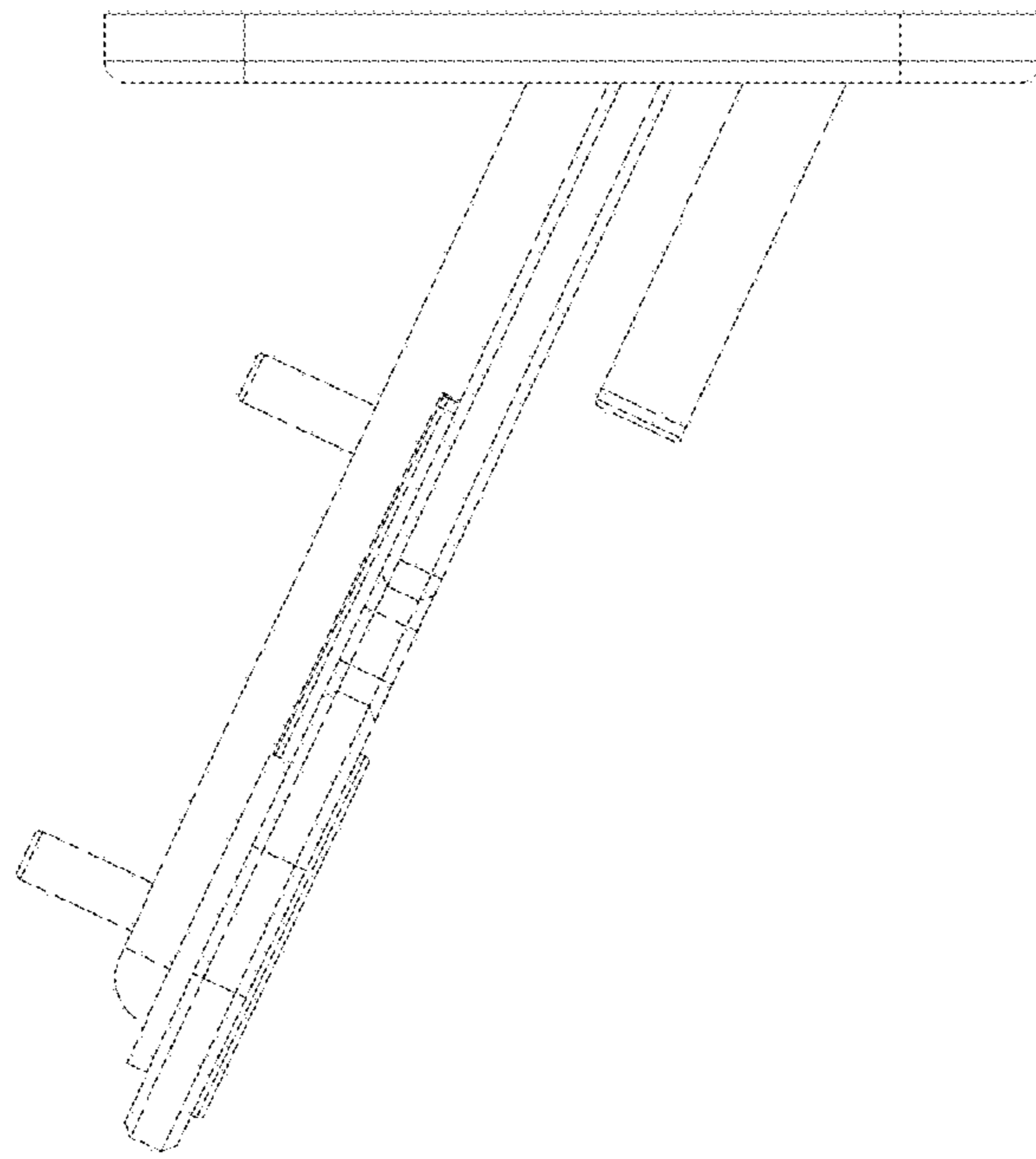


Fig. 4

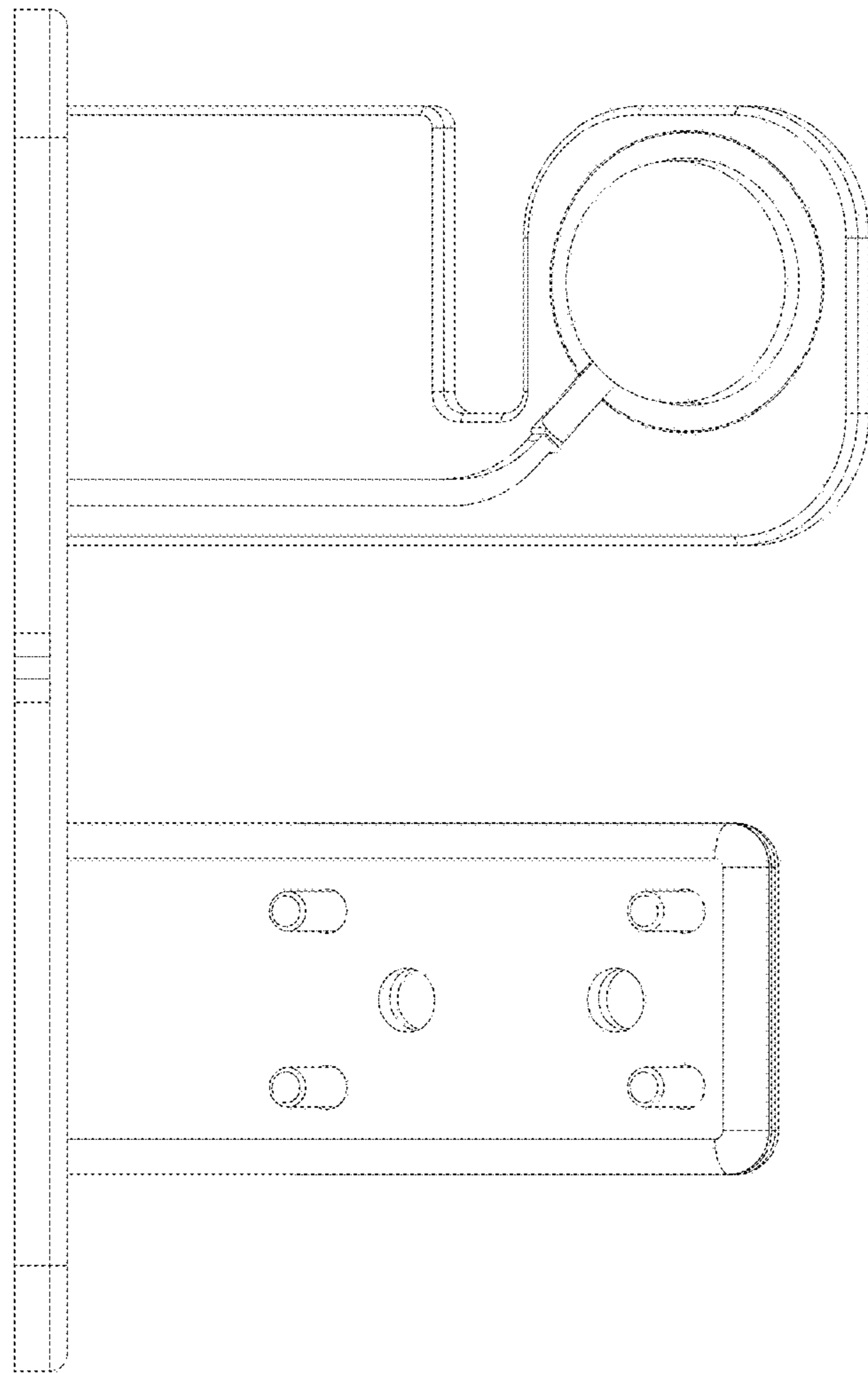


Fig. 5

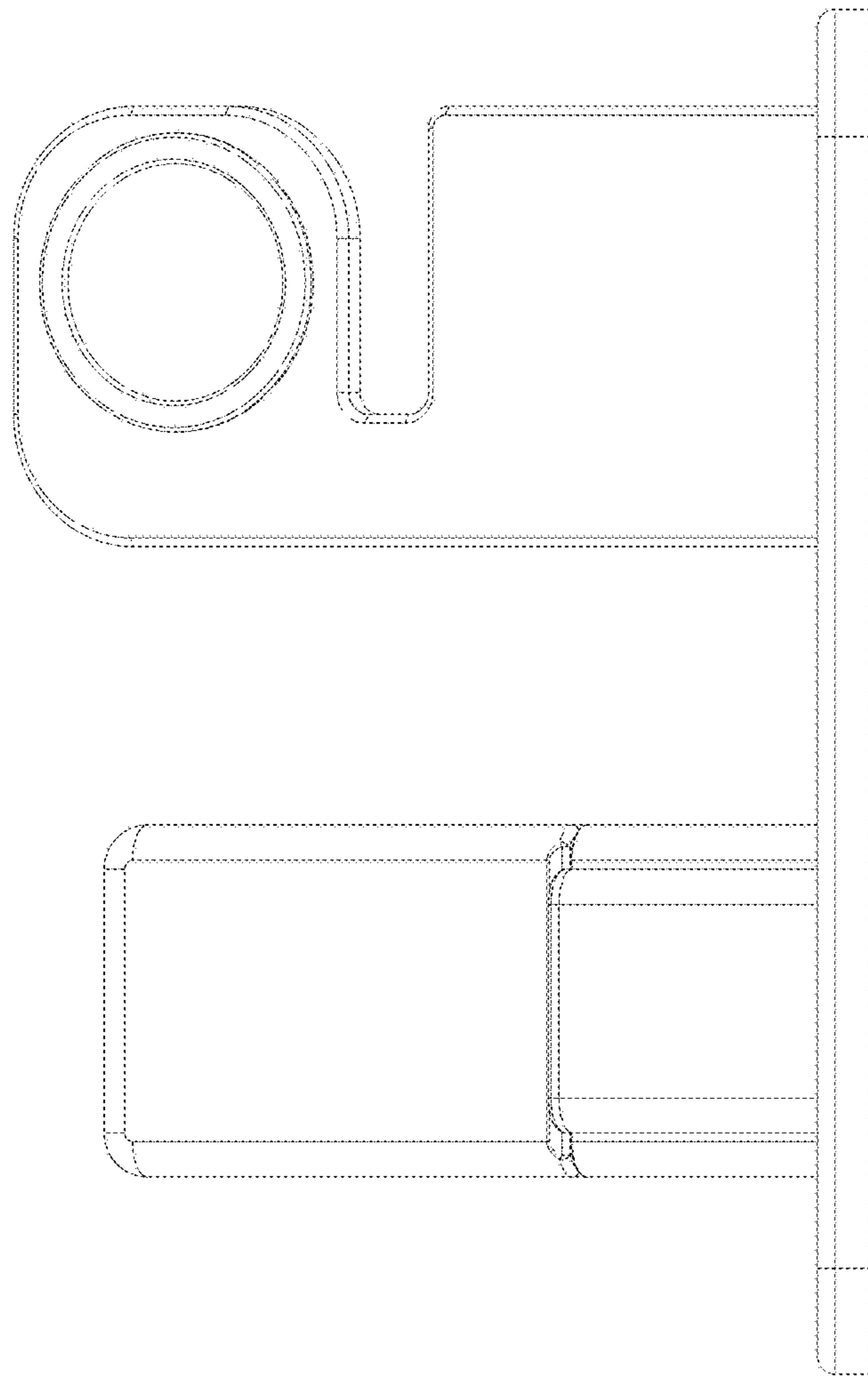


Fig. 6

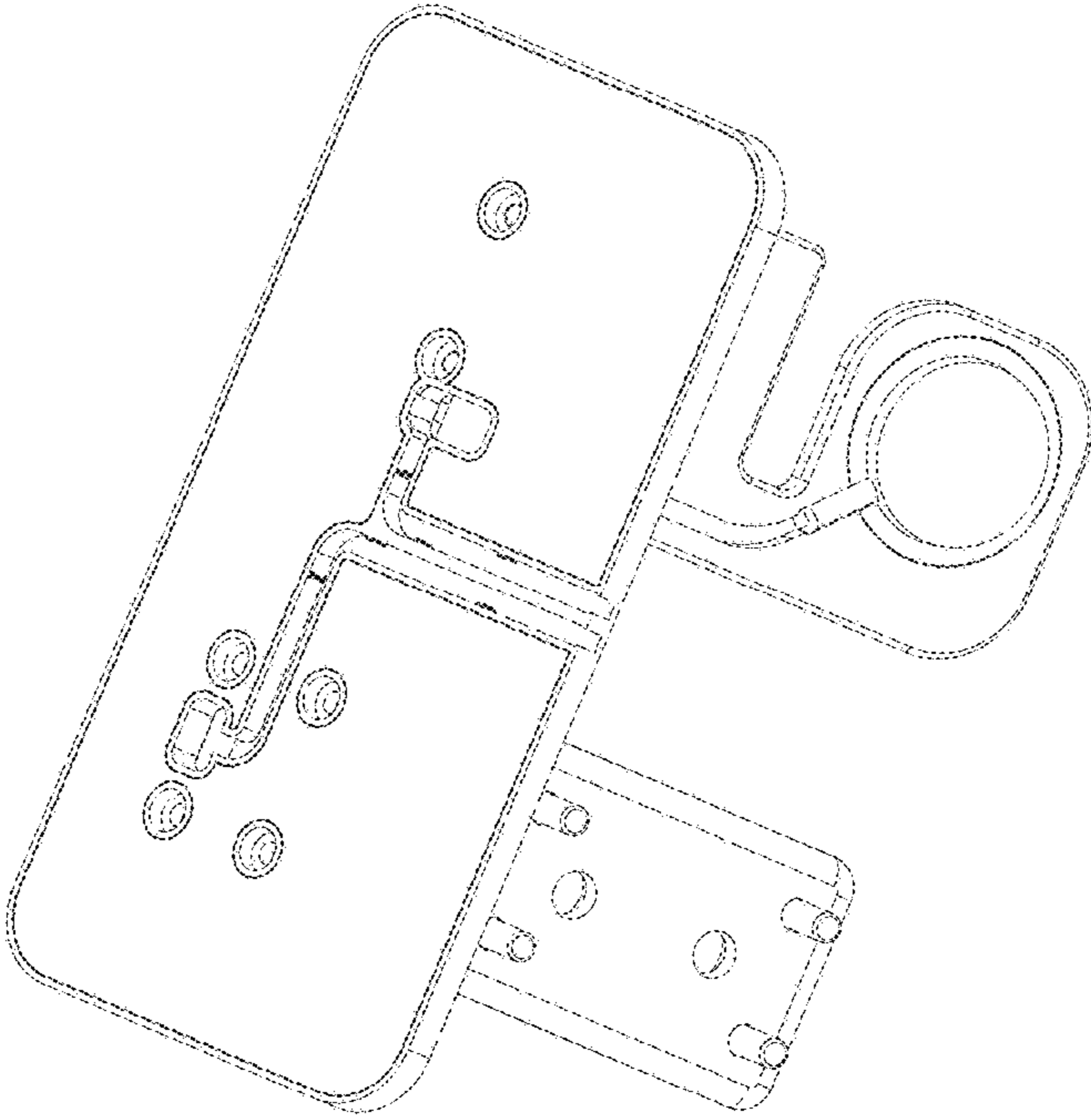


Fig. 7

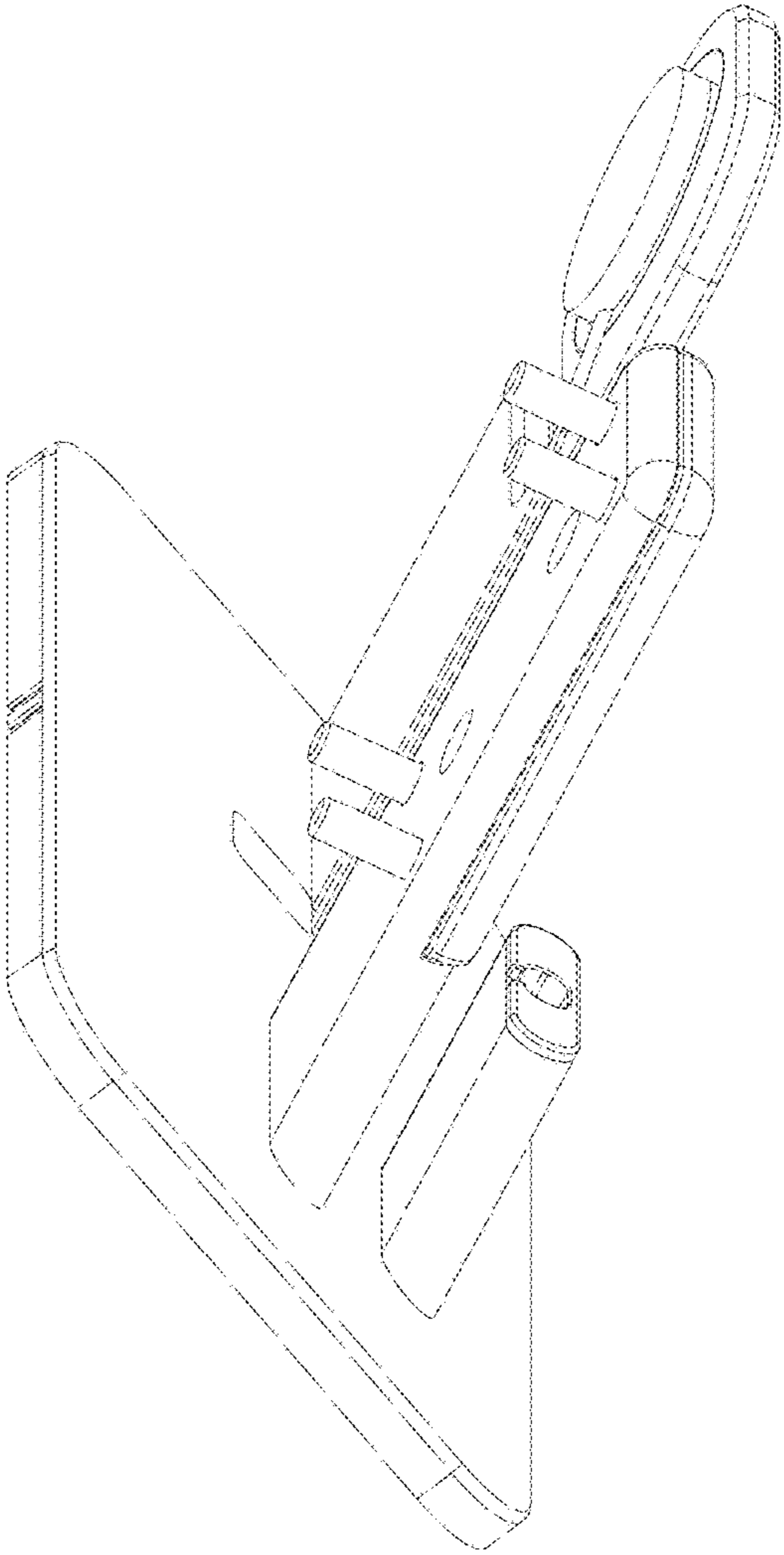


Fig. 8

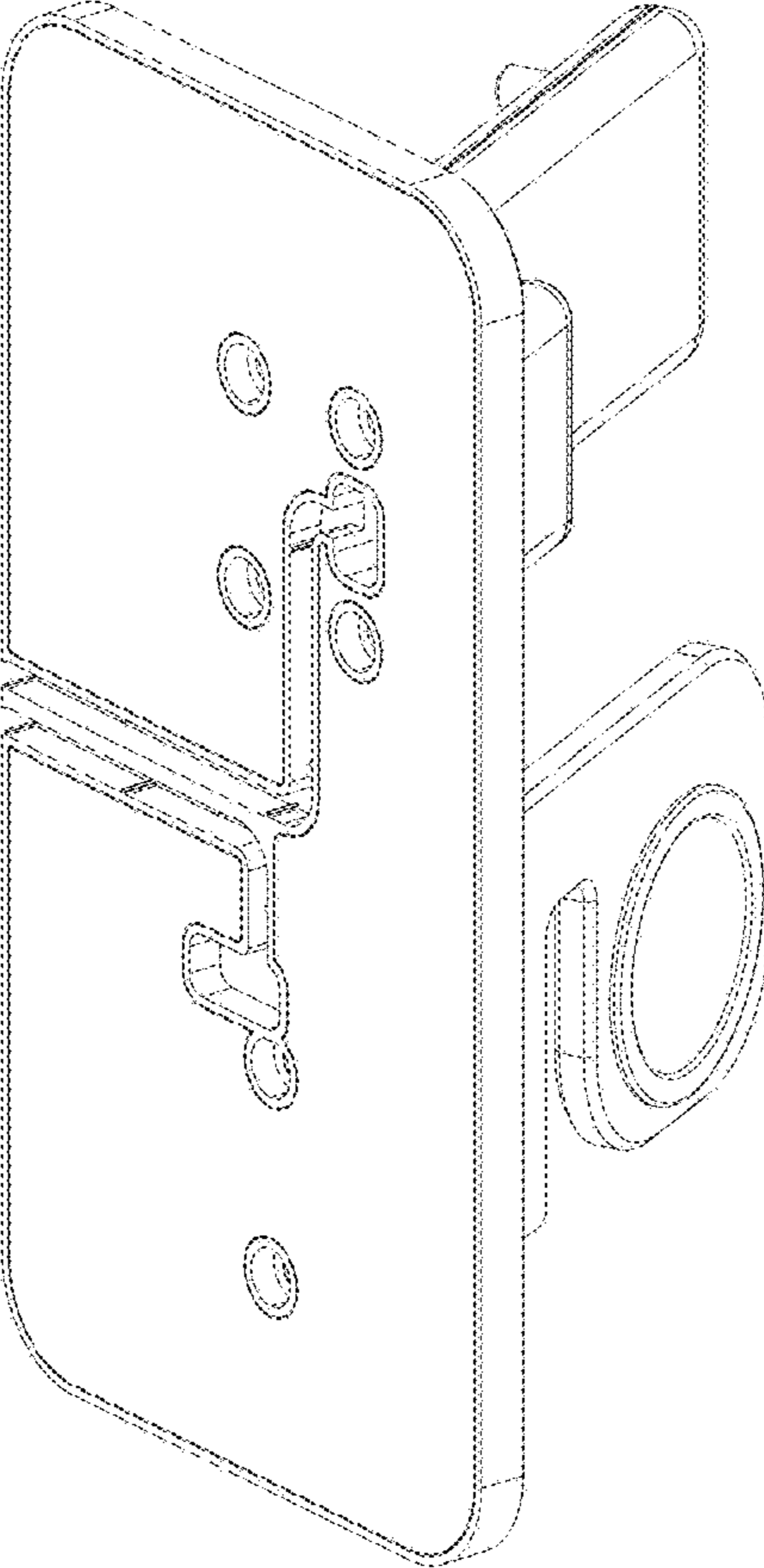


Fig. 9