

US00D864944S

(12) **United States Design Patent** (10) **Patent No.:** **US D864,944 S**
Satzger et al. (45) **Date of Patent:** **** Oct. 29, 2019**

- (54) **MOBILE DEVICE CASE**
- (71) Applicant: **Intel Corporation**, Santa Clara, CA (US)
- (72) Inventors: **Douglas Satzger**, Menlo Park, CA (US); **Markus Diebel**, San Francisco, CA (US); **Erik Eisermann Guerra**, San Francisco, CA (US); **Joe Tan**, San Francisco, CA (US)
- (73) Assignee: **Intel Corporation**, Santa Clara, CA (US)
- (**) Term: **15 Years**
- (21) Appl. No.: **29/643,598**
- (22) Filed: **Apr. 10, 2018**

- D719,145 S 12/2014 Barfoot et al.
- D728,548 S 5/2015 Keung
- D743,388 S 11/2015 Fitzpatrick et al.
- D745,505 S 12/2015 Barfoot et al.
- D745,506 S 12/2015 Barfoot et al.
- D780,738 S 3/2017 Barfoot et al.
- D780,742 S 3/2017 Guerdrum et al.
- D819,008 S * 5/2018 Satzger D14/250

Related U.S. Application Data

- (62) Division of application No. 29/569,690, filed on Jun. 29, 2016, now Pat. No. Des. 819,008.
- (51) **LOC (12) Cl.** **14-03**
- (52) **U.S. Cl.**
USPC **D14/250**
- (58) **Field of Classification Search**
USPC D14/250; 455/575.8
CPC A45C 11/00; A45C 2011/002
See application file for complete search history.

References Cited

U.S. PATENT DOCUMENTS

- D502,949 S 3/2005 Chang
- D638,830 S 5/2011 Magness et al.
- D673,159 S 12/2012 Mccarthy et al.
- D706,256 S 6/2014 Ward et al.
- D711,866 S 8/2014 Kawata
- D718,294 S 11/2014 Barfoot et al.
- D718,756 S 12/2014 Barfoot et al.

OTHER PUBLICATIONS

Silicone Soft Gel Case Cover for Android Tablet, posted at dhgate.com, posting date not given, [online], [site visited Apr. 18, 2019]. Available from Internet, URL: <https://www.dhgate.com/store/product/wholesale-cute-silicone-soft-gel-case-cover/393094339.html> (Year: 2019).*

(Continued)

Primary Examiner — George D. Kirschbaum
Assistant Examiner — Maria J Edwards
(74) *Attorney, Agent, or Firm* — Schwegman, Lundberg & Woessner, P.A.

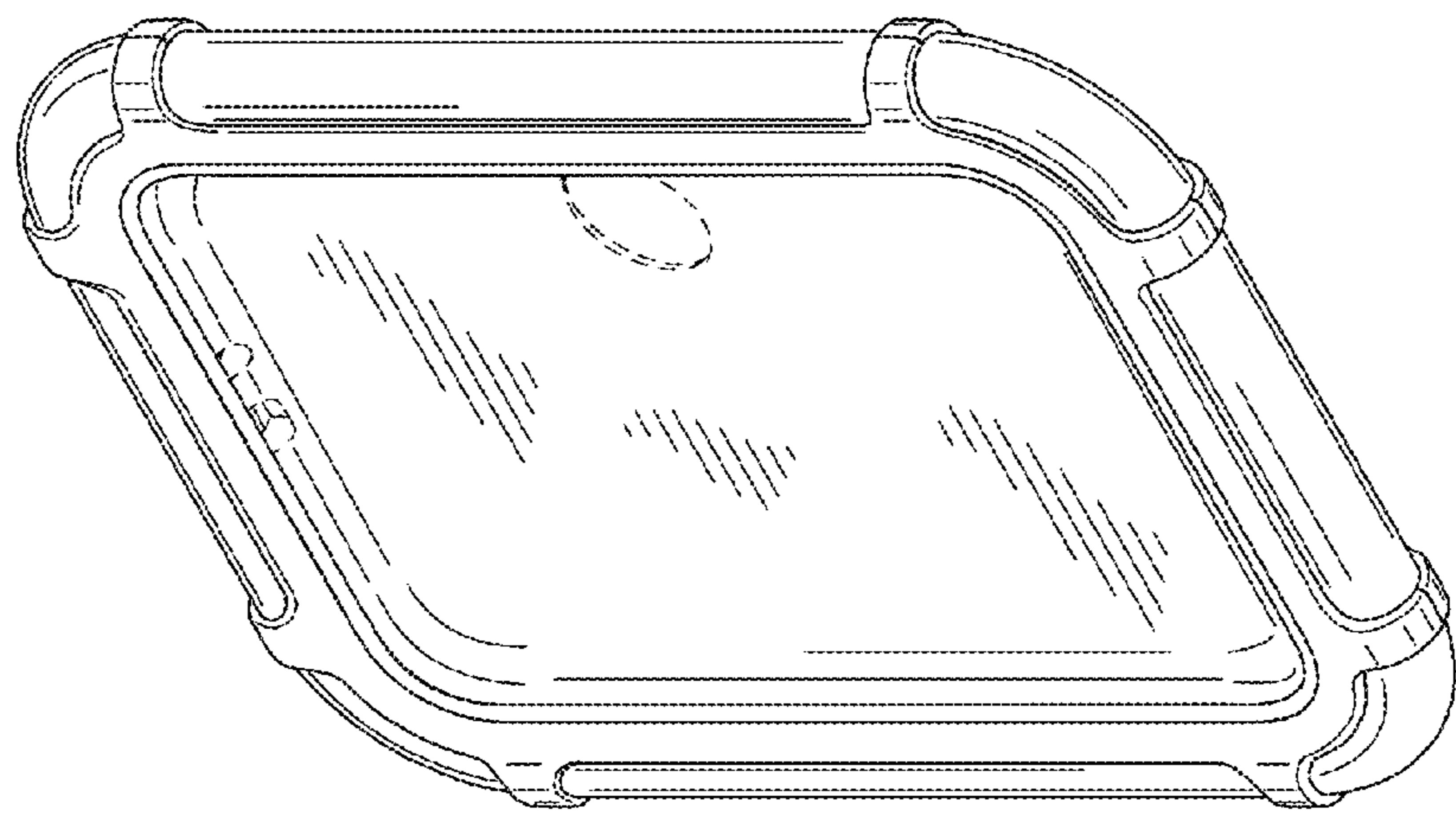
(57) **CLAIM**

The ornamental design for a mobile device case, as shown and described.

DESCRIPTION

FIG. 1 is a top, front-right perspective view of the mobile device case; FIG. 2 is a bottom, rear-left perspective view thereof; FIG. 3 is a rear elevation view thereof; FIG. 4 is a front elevation view thereof; FIG. 5 is a bottom plan view thereof; FIG. 6 is a top plan view thereof; FIG. 7 is a left side elevation view thereof; and, FIG. 8 is a right side elevation view thereof. Broken lines in the drawings illustrate portions of the article and form no part of the claimed design.

1 Claim, 5 Drawing Sheets



(56)

References Cited

OTHER PUBLICATIONS

“U.S. Appl. No. 29/569,690, Notice of Allowance dated Jan. 24, 2018”, 8 pgs.

“U.S. Appl. No. 29/569,690, Response filed Nov. 6, 2017 to Restriction Requirement dated Sep. 8, 2017”, 5 pgs.

“U.S. Appl. No. 29/569,690, Restriction Requirement dated Sep. 8, 2017”, 6 pgs.

“Fintie Kiddie Case”, [Online] Retrieved from the internet: <https://www.amazon.com/dp/B00C1B9ENA/ref=twister_B01E9TID1K>, (Aug. 31, 2017).

“Fit-n-Grip Universal Case”, [Online] Retrieved from the internet: <<http://www.targus.com/us/78fitngripuniversalcaseregrey>>, (Aug. 31, 2017).

“OtterBox Pursuit 40 Waterproof Case”, [Online] Retrieved from the internet: <<https://www.a4c.com/product/otterboxpursuit40waterproofuniversalcaserequestblack.html>>, (Aug. 31, 2017).

* cited by examiner

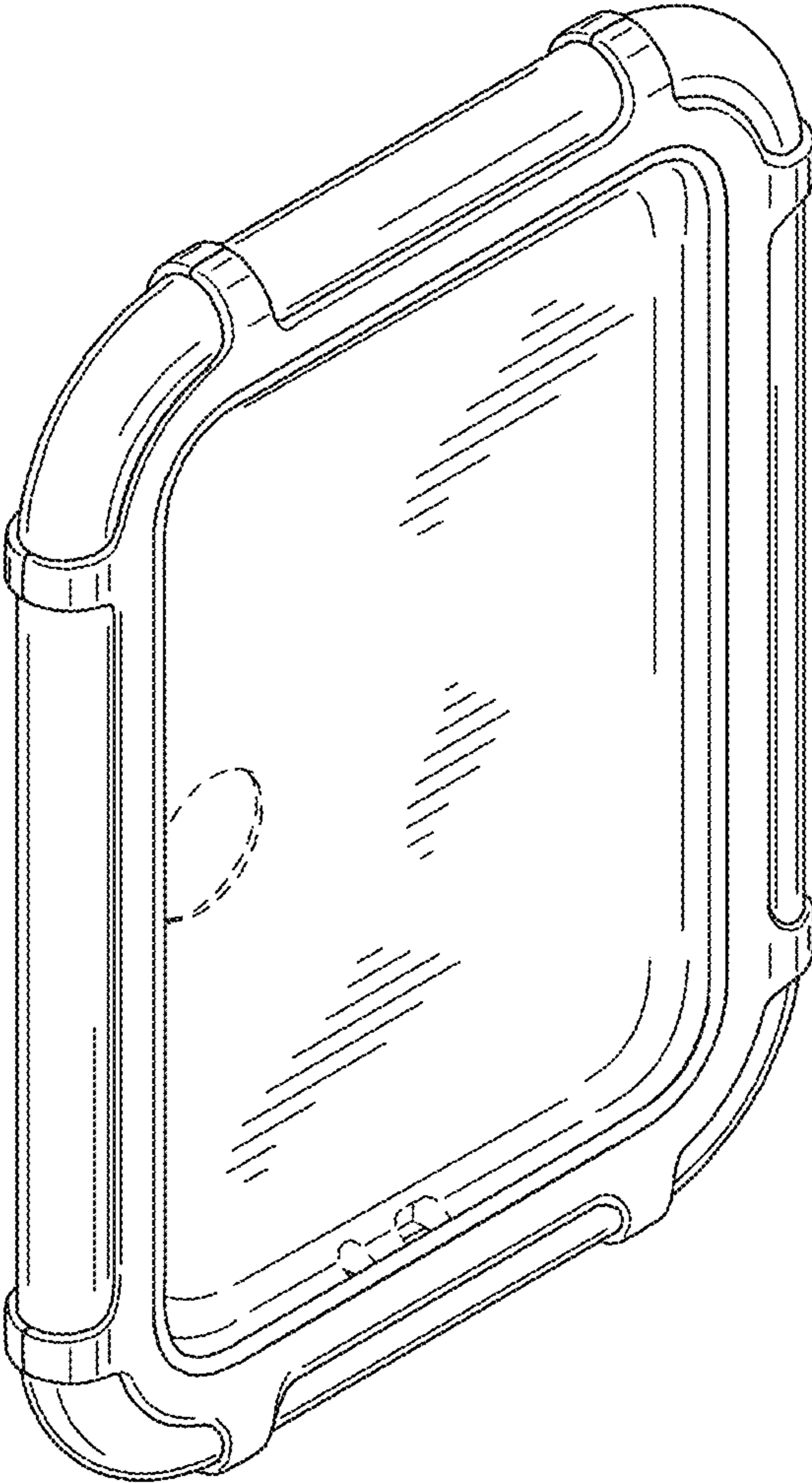


FIG. 1

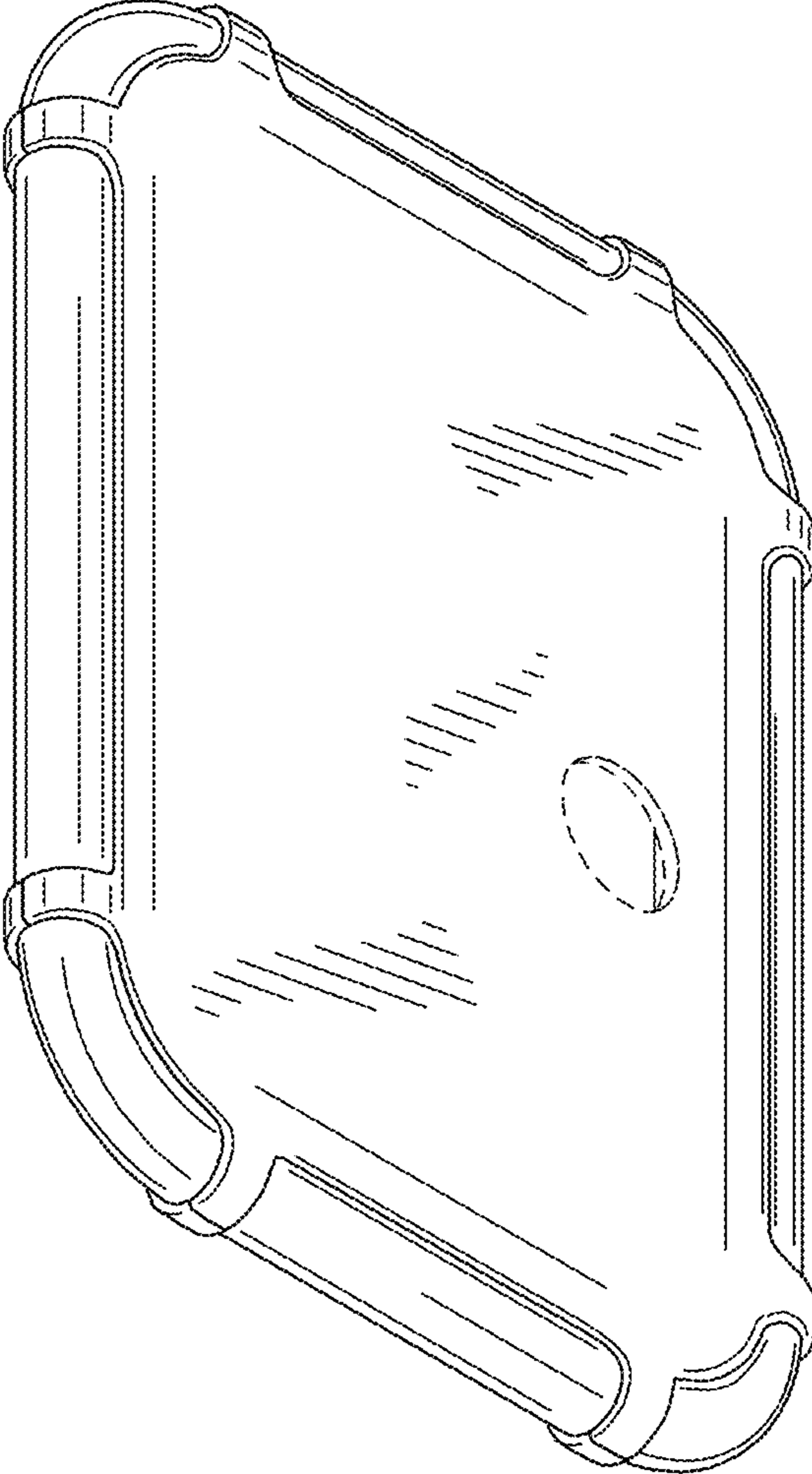


FIG. 2

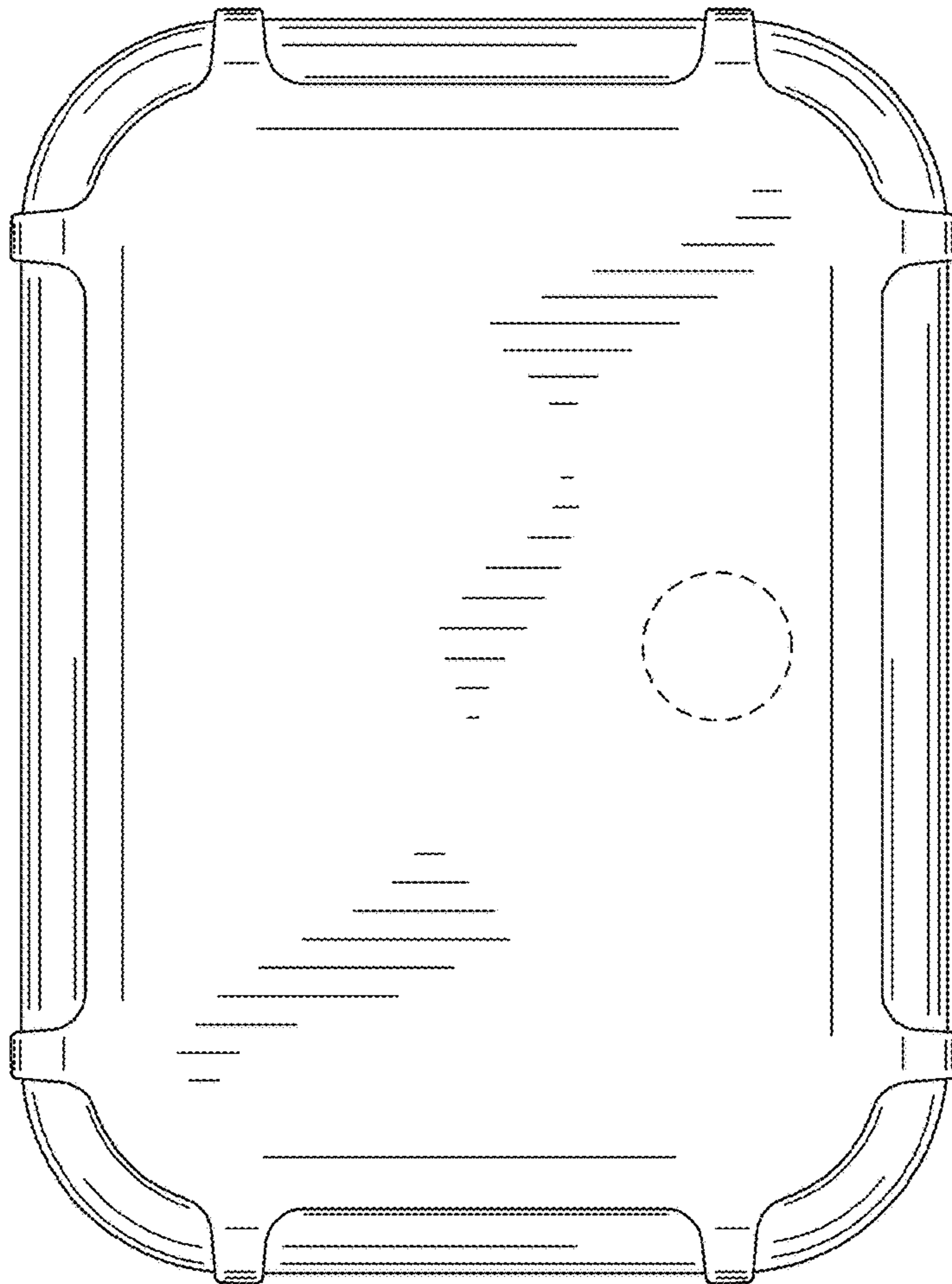


FIG. 3

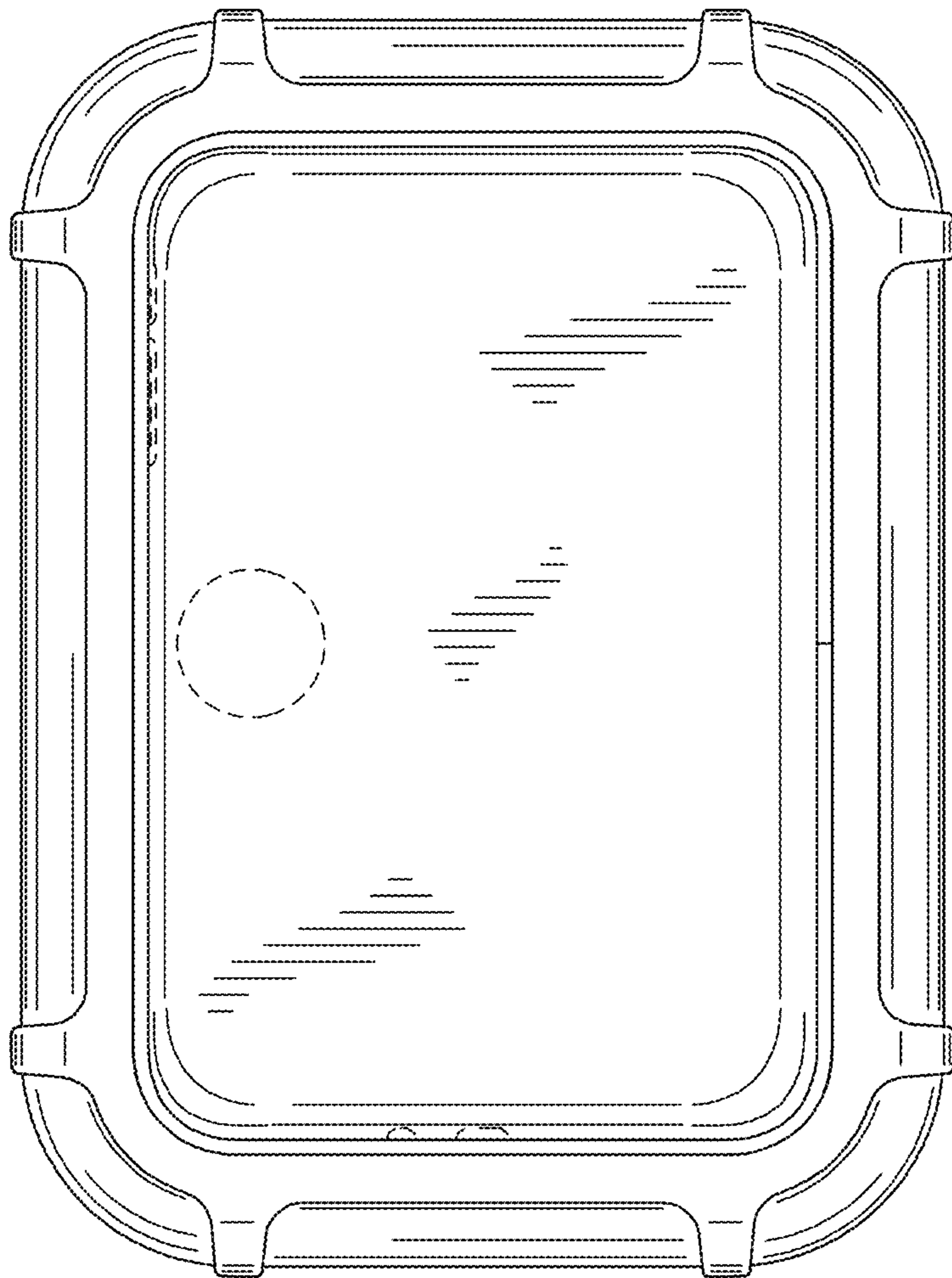


FIG. 4

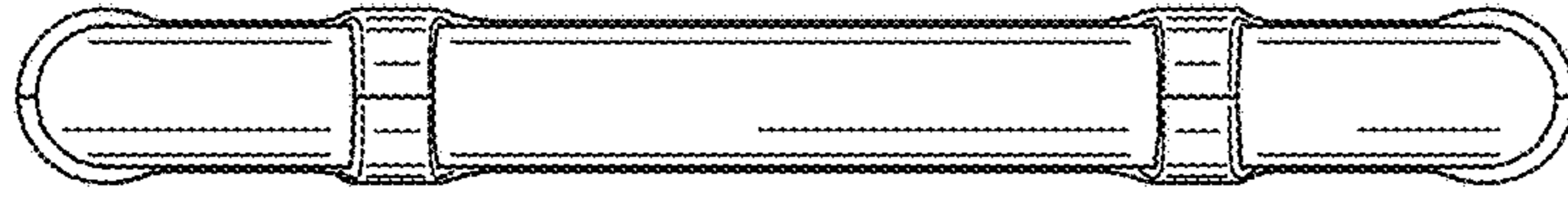


FIG. 8

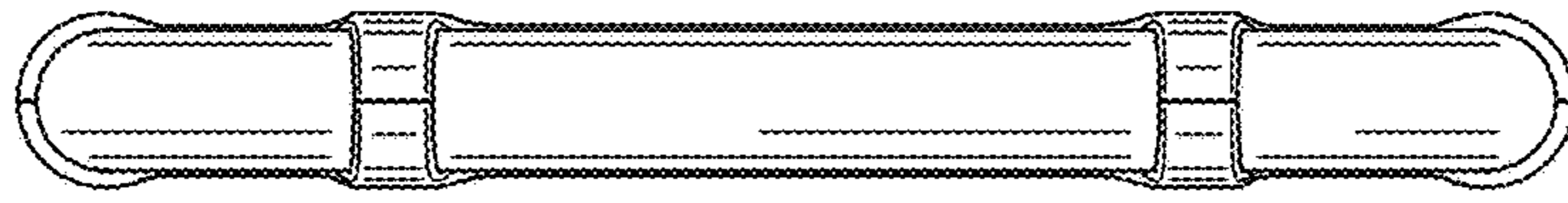


FIG. 7

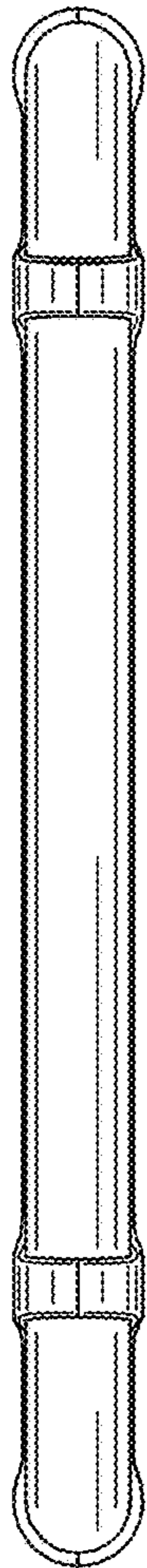


FIG. 5

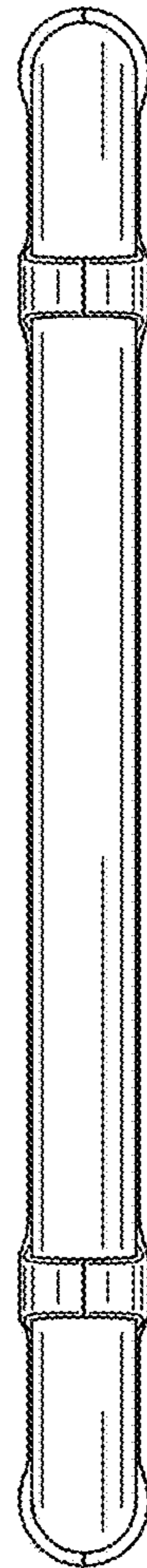


FIG. 6