

US00D864943S

(12) **United States Design Patent** (10) **Patent No.:** **US D864,943 S**
Yun (45) **Date of Patent:** **** Oct. 29, 2019**

(54) **CASE FOR ELECTRONIC COMMUNICATIONS DEVICE**

(71) Applicant: **SPIGEN KOREA CO., LTD.**, Seoul (KR)

(72) Inventor: **Sun Woo Yun**, Seoul (KR)

(73) Assignee: **SPIGEN KOREA CO., LTD.**, Seoul (KR)

(**) Term: **15 Years**

(21) Appl. No.: **29/632,854**

(22) Filed: **Jan. 10, 2018**

(51) **LOC (12) Cl.** **14-03**

(52) **U.S. Cl.**
 USPC **D14/250**

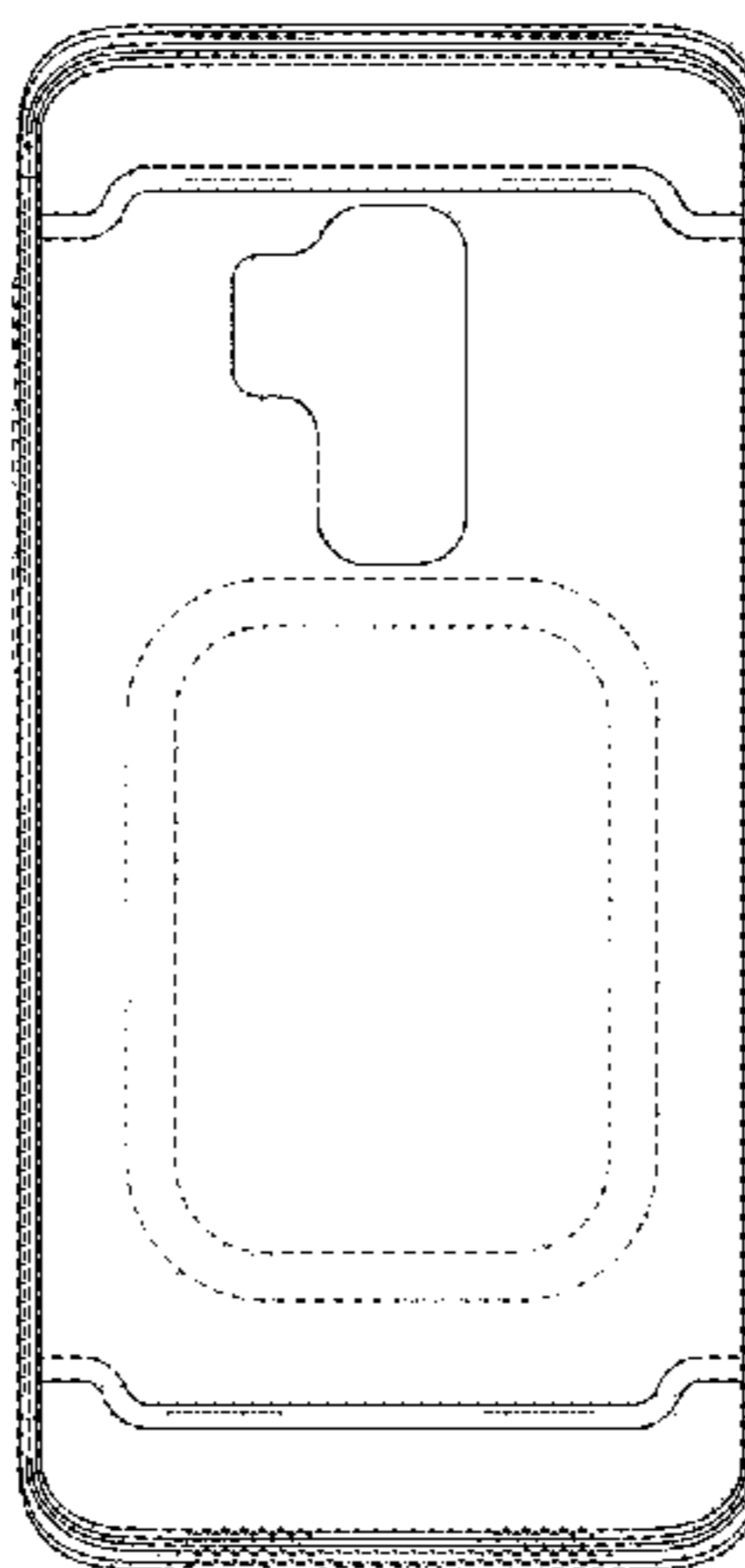
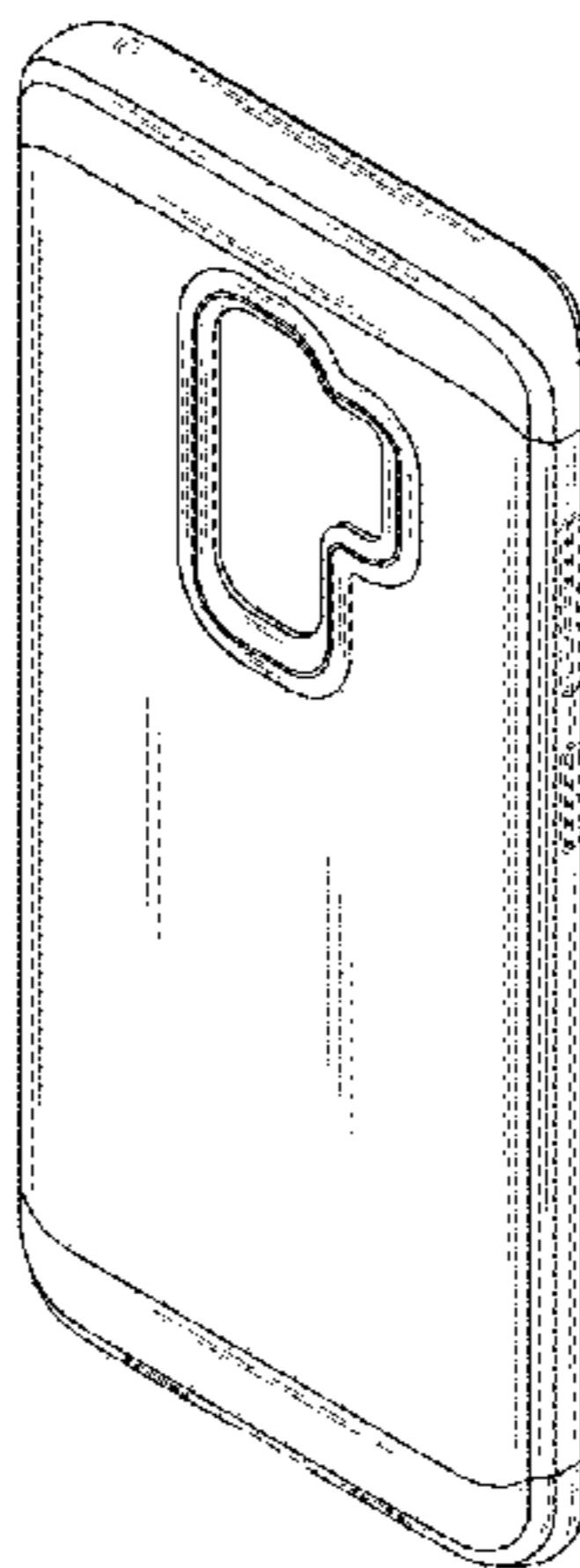
(58) **Field of Classification Search**
 USPC D14/248, 439, 203.3–203.7, 447, 238.1, D14/440, 251–253, 217, 240, 250; D3/201, 218, 247, 269, 273, 301, 303; D13/103, 107–108, 119
 CPC H04B 1/3888; H04M 1/0283; H04M 1/0202; A45C 1/06; A45C 2011/002; A45C 11/00; A45C 13/02; A45F 2005/026; A45F 2200/0525; A45F 2200/0516
 See application file for complete search history.

D694,225 S 11/2013 Kim
 D696,654 S 12/2013 Lee
 8,726,952 B2 5/2014 Jambunathan et al.
 D707,965 S 7/2014 Requa
 D716,045 S 10/2014 Requa
 D721,694 S 1/2015 Lee et al.
 8,971,975 B2 3/2015 Ramies et al.
 D731,472 S * 6/2015 Lee D14/250
 D733,149 S * 6/2015 Dahlberg D14/440
 9,049,283 B1 6/2015 Kim
 D740,794 S 10/2015 Choi et al.
 D741,845 S 10/2015 Kim
 D743,931 S 11/2015 Hubbard et al.
 D746,275 S * 12/2015 Mohammad D14/250
 D746,805 S 1/2016 Kim
 9,241,551 B2 1/2016 Lawson et al.
 D749,068 S 2/2016 Zaborski et al.
 D749,557 S 2/2016 Feng
 D753,099 S 4/2016 Kim
 D756,911 S 5/2016 Gupta et al.
 D759,966 S 6/2016 Pignotti
 D763,842 S 8/2016 Chang et al.
 D765,635 S 9/2016 Chang et al.
 D765,638 S 9/2016 Gaylord et al.
 D765,640 S 9/2016 Bulkley et al.
 D765,641 S 9/2016 Bulkley et al.
 D776,647 S * 1/2017 Kim D14/250
 D777,155 S * 1/2017 Kim D14/250
 D780,164 S 2/2017 Lee
 D781,835 S 3/2017 Kim et al.
 D782,456 S 3/2017 Park et al.
 D786,846 S 5/2017 Kim et al.
 D786,849 S 5/2017 Park et al.
 D786,851 S * 5/2017 Kim D14/250
 D786,852 S * 5/2017 Kim D14/250
 D787,492 S * 5/2017 Kim D14/250
 D788,089 S 5/2017 Park et al.
 D788,093 S 5/2017 Lee et al.
 D789,344 S * 6/2017 Kim D14/250
 D791,755 S * 7/2017 Kim D14/250
 D792,394 S 7/2017 Lee et al.
 D797,090 S 9/2017 Lee et al.
 D797,093 S * 9/2017 To D14/250
 D797,715 S * 9/2017 Kim D14/250
 D798,284 S * 9/2017 Kim D14/250
 D798,286 S 9/2017 Roberts et al.
 D798,853 S 10/2017 Park et al.
 D800,713 S * 10/2017 Kim D14/250
 D800,714 S 10/2017 Lee et al.
 D801,322 S 10/2017 Song et al.
 D801,323 S 10/2017 Kim
 D803,206 S * 11/2017 Kim D14/250
 D807,868 S * 1/2018 Wang D14/250
 D808,955 S 1/2018 Park et al.

(56) **References Cited**

U.S. PATENT DOCUMENTS

D619,361 S 7/2010 Andre et al.
 D624,533 S * 9/2010 Richardson D14/250
 D646,265 S 10/2011 Fathollahi
 D650,371 S 12/2011 Wibby et al.
 D663,263 S 7/2012 Gupta et al.
 D670,689 S * 11/2012 Wang D14/250
 D676,432 S * 2/2013 Hasbrook D14/250
 D677,249 S * 3/2013 Li D14/250
 D681,615 S 5/2013 Fathollahi
 D682,196 S 5/2013 Leung
 8,504,127 B2 8/2013 Altschul et al.
 8,517,172 B1 8/2013 Chang



2011/0049005	A1*	3/2011	Wilson	A45C 11/00 206/701
2011/0309728	A1*	12/2011	Diebel	H04B 1/3888 312/293.1
2012/0088558	A1*	4/2012	Song	H04M 1/18 455/575.1
2012/0177967	A1*	7/2012	Wang	G06F 1/1632 429/100
2015/0381226	A1*	12/2015	Mogol	H04B 1/3888 455/575.1
2016/0064979	A1*	3/2016	Huang	H02J 7/0055 320/114

OTHER PUBLICATIONS

“Spigen Slim Armor View Galaxy S4 Case with Automatic Sleep / Wake Feature for Galaxy S4 2013—Soul Black”, <https://www.amazon.com/Spigen-Armor-Galaxy-Automatic-Feature/dp/B00DCCVS5Y>, Earliest review date of Mar. 18, 2013, Downloaded on Feb. 19, 2019.

“Spigen Slim Armor Nexus 5 Case with Air Cushion Technology and Hybrid Drop Protection for Nexus 5 2013—Infinity White”, <https://www.amazon.com/Spigen-Cushion-Technology-Hybrid-Protection/dp/B00EV8Y7XI>, Earliest review date of Nov. 4, 2013, Downloaded on Jan. 16, 2019.

“Spigen Slim Armor View Galaxy S5 Case with Automatic Sleep / Wake Feature for Samsung Galaxy S5 2014—View Smooth White”, <https://www.amazon.com/Spigen-Galaxy-Automatic-Feature-Samsung/dp/B00KGG02EI>, Earliest review date of Jan. 18, 2014, Downloaded on Jan. 16, 2019.

“Spigen Tough Armor Galaxy S5 Case with Extreme Heavy Duty Protection and Air Cushion Technology for Samsung Galaxy S5 2014—Gunmetal”, <https://www.amazon.com/Spigen-Extreme-Protection-Cushion-Technology/dp/B0013UWDV8>, Earliest review date of Mar. 9, 2014, Downloaded on Aug. 9, 2018.

“Spigen Slim Armor Galaxy S5 Case with Air Cushion Technology and Hybrid Drop Protection for Samsung Galaxy S5 2014—Metal Slate”, <https://www.amazon.com/dp/B0013UWD7C>, Earliest review date of Apr. 11, 2014, Downloaded on Sep. 18, 2018.

“Spigen Slim Armor LG G3 Case with Air Cushion Technology and Hybrid Drop Protection for LG G3 2014—Metal Slate”, <https://www.amazon.com/Spigen-Cushion-Technology-Hybrid-Protection/dp/B00JQI2G5O>, Earliest review date of Jul. 9, 2014, Downloaded on Jan. 16, 2019.

“Spigen Tough Armor Galaxy S6 Edge Case with Reinforced Kickstand and Heavy Duty Protection and Air Cushion Technology for Samsung Galaxy S6 Edge (2015)—Gunmetal”, <https://www.amazon.com/Spigen-Reinforced-Kickstand-Protection-Technology/dp/B00SV63L38>, Earliest review date of Mar. 12, 2015, Downloaded on Aug. 9, 2018.

“Spigen Slim Armor Galaxy S6 Case with Air Cushion Technology and Kickstand for Samsung Galaxy S6 2015—Shimmery White”, <https://www.amazon.com/dp/B00QU4NQMY>, Earliest review date of Mar. 21, 2015, Downloaded on Sep. 18, 2018.

“Spigen Tough Armor Galaxy S6 Case with Reinforced Kickstand and Heavy Duty Protection and Air Cushion Technology for Samsung Galaxy S6 (2015)—Gunmetal”, <https://www.amazon.com/Spigen-Reinforced-Kickstand-Protection-Technology/dp/B00QU4PUKK>, Earliest review date of Mar. 23, 2015, Downloaded on Aug. 9, 2018.

“Spigen Slim Armor Galaxy S6 Edge Case with Kickstand and Hybrid Drop Protection for Galaxy S6 Edge 2015—Gunmetal”, <https://www.amazon.com/dp/B00SV638ZE>, Earliest review date of Apr. 3, 2015, Downloaded on Sep. 18, 2018.

“Spigen Slim Armor Galaxy Note 5 Case with Air Cushion Technology and Hybrid Drop Protection for Galaxy Note 5 2015—Metal Slate”, <https://www.amazon.com/dp/B010MWHIKA>, Earliest review date of Aug. 21, 2015, Downloaded on Jul. 18, 2018.

Korguenkomodo, “Slim Armor case—Galaxy S6 Edge Plus”, https://www.youtube.com/watch?v=hrEnHS_S1i4, Published on Oct. 12, 2015, Downloaded on Mar. 19, 2019.

“Spigen Slim Armor LG V10 Case with Air Cushion Technology and Hybrid Drop Protection for LG V10—Gunmetal”, <https://www.amazon.com/dp/B016X1FODW>, Earliest review date of Nov. 16, 2015, Downloaded on Sep. 18, 2018.

“Spigen Tough Armor Designed for Apple iPad Mini 4 Case (2015)—Gunmetal”, <https://www.amazon.com/Spigen-Tough-Armor-Designed-Apple/dp/B013J4LNWC>, Earliest review date of Nov. 21, 2015, Downloaded on Jan. 15, 2019.

“Spigen Tough Armor Galaxy S7 Edge Case with Kickstand and Extreme Heavy Duty Protection and Air Cushion Technology for Samsung Galaxy S7 Edge 2016—Gunmetal”, <https://www.amazon.com/Spigen-Kickstand-Extreme-Protection-Technology/dp/B01A7IDNWQ>, Earliest review date of Feb. 24, 2016, Downloaded on Aug. 9, 2018.

“Spigen Tough Armor Galaxy S7 Case with Extreme Heavy Duty Protection and Air Cushion Technology for Samsung Galaxy S7 2016—Gunmetal”, <https://www.amazon.com/Spigen-Extreme-Protection-Cushion-Technology/dp/B01A7ID3PS>, Earliest review date of Feb. 25, 2016, Downloaded on Aug. 9, 2018.

“Spigen Slim Armor Galaxy S7 Edge Case with Kickstand and Air Cushion Technology and Hybrid Drop Protection for Samsung Galaxy S7 Edge 2016—Champagne Gold”, <https://www.amazon.com/dp/B01BEBBWY6>, Earliest review date of Feb. 26, 2016, Downloaded on Sep. 18, 2018.

“Spigen Slim Armor Galaxy S7 Case with Kickstand and Air Cushion Technology and Hybrid Drop Protection for Samsung Galaxy S7 2016—Violet”, <https://www.amazon.com/dp/B01AUR1D8K>, Earliest review date of Mar. 2, 2016, Downloaded on Sep. 18, 2018.

“Spigen Tough Armor LG G5 Case with Reinforced Kickstand and Heavy Duty Protection and Air Cushion Technology for LG G5 (2016)—Gunmetal”, <https://www.amazon.com/Spigen-Reinforced-Kickstand-Protection-Technology/dp/B01B1GQL6I>, Earliest review date of Mar. 11, 2016, Downloaded on Aug. 9, 2018.

“Spigen Slim Armor LG G5 Case with Air Cushion Technology and Hybrid Drop Protection for LG G5 2016—Shimmery White”, <https://www.amazon.com/dp/B01B1GQIHA>, Earliest review date of Apr. 7, 2016, Downloaded on Sep. 18, 2018.

“Spigen Slim Armor iPhone 7 / iPhone 8 Case with Kickstand and Air Cushion Technology Hybrid Drop Protection for Apple iPhone 7 (2016) / iPhone 8 (2017)—Black”, <https://www.amazon.com/dp/B1HMY5WKY>, Earliest review date of Sep. 12, 2016, Downloaded on Sep. 18, 2018.

“Spigen Slim Armor iPhone 7 Plus Case with Kickstand and Air Cushion Technology Hybrid Drop Protection for Apple iPhone 7 Plus (2016)—Black”, <https://www.amazon.com/Spigen-Kickstand-Cushion-Technology-Protection/dp/B01HMY5Y3E>, Earliest review date of Sep. 22, 2016, Downloaded on Jan. 16, 2019.

“Spigen Tough Armor Google Pixel Case with Kickstand and Heavy Duty Air Cushion Technology Protection for Google Pixel 2016—Black”, <https://www.amazon.com/Spigen-Kickstand-Cushion-Technology-Protection/dp/B01M12Z4PY>, Earliest review date of Oct. 20, 2016, Downloaded on Aug. 9, 2018.

“Spigen Tough Armor Google Pixel XL Case with Kickstand and Heavy Duty Air Cushion Technology Protection for Google Pixel XL 2016—Gunmetal”, <https://www.amazon.com/Spigen-Kickstand-Cushion-Technology-Protection/dp/B01LZGCH6E>, Earliest review date of Oct. 21, 2016, Downloaded on Aug. 9, 2018.

“Spigen Tough Armor LG V20 Case with Kickstand and Extreme Heavy Duty Protection and Air Cushion Technology for LG V20—Gunmetal”, <https://www.amazon.com/Spigen-Kickstand-Extreme-Protection-Technology/dp/B01M9FI54B>, Earliest review date of Dec. 2, 2016, Downloaded on Aug. 9, 2018.

* cited by examiner

Primary Examiner — Carla J Wright
(74) Attorney, Agent, or Firm — Heedong Chae; Lucem, PC

(57) CLAIM

The ornamental design for a case for electronic communications device, as shown and described.

DESCRIPTION

FIG. 1 is a front perspective view of a case for electronic communications device showing my new design;

FIG. 2 is a rear perspective view thereof;
FIG. 3 is a front elevational view thereof;
FIG. 4 is a rear elevational view thereof;
FIG. 5 is a left side elevational view thereof;
FIG. 6 is a right side elevational view thereof;
FIG. 7 is a top plan view thereof;
FIG. 8 is a bottom plan view thereof;
FIG. 9 is a front perspective view showing the middle frame component of the case in isolation;
FIG. 10 is a rear perspective view showing the middle frame component of the case in isolation;
FIG. 11 is a front perspective view showing the upper frame component of the case in isolation;
FIG. 12 is a rear perspective view showing the upper frame component of the case in isolation;
FIG. 13 is a front perspective view showing the bottom frame component of the case in isolation;
FIG. 14 is a rear perspective view showing the bottom frame component of the case in isolation;

FIG. 15 is an exploded front perspective view showing the components of the case separated; and,
FIG. 16 is an exploded rear perspective view showing the components of the case separated.

For clarity of disclosure, the components of the case are shown in isolation in FIGS. 9-14 and separated in FIGS. 15-16. Although the case for electronic communications device, in which the claimed design is embodied, consists of an upper frame component, a middle frame component, and a bottom frame component, the claim is directed to the overall ornamental appearance of the case for electronic communications device in its entirety and does not extend to the ornamental appearance of each of the individual components.

The broken lines throughout the drawing figures depict portions of the case for electronic communications device that form no part of the claimed design. The broken lines and unshaded regions form no part of the claimed design.

1 Claim, 16 Drawing Sheets

FIG. 1

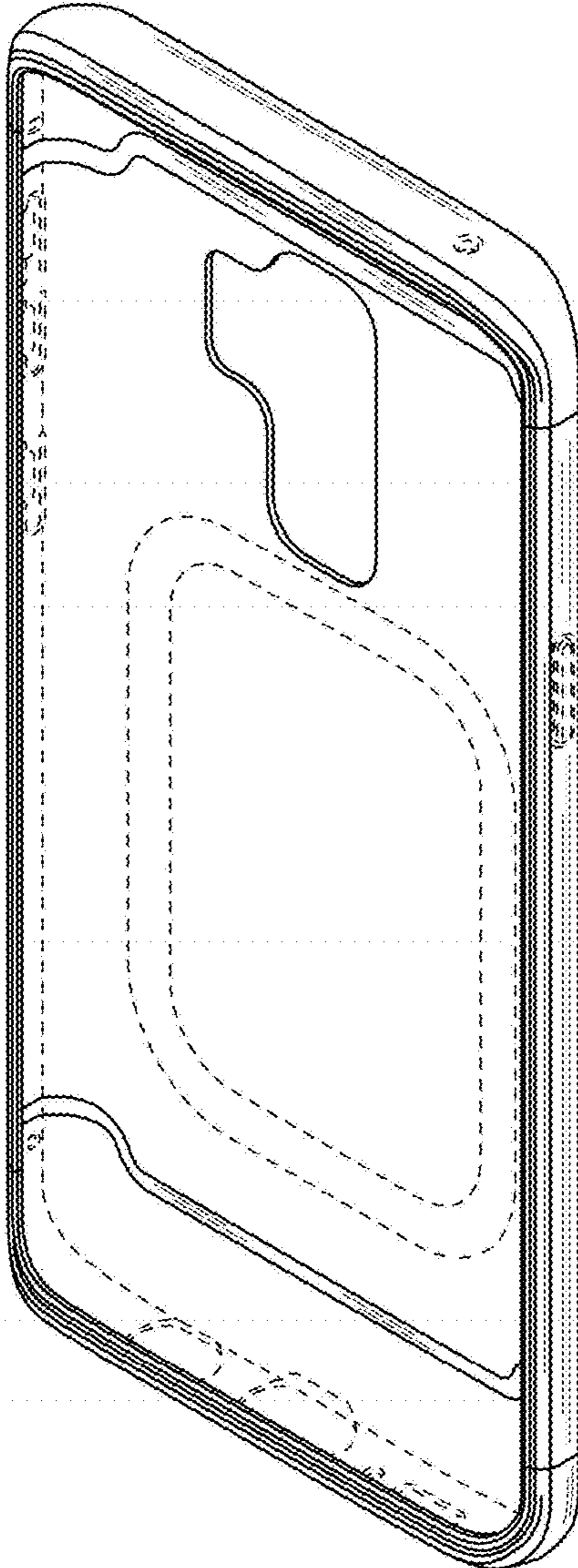


FIG. 2

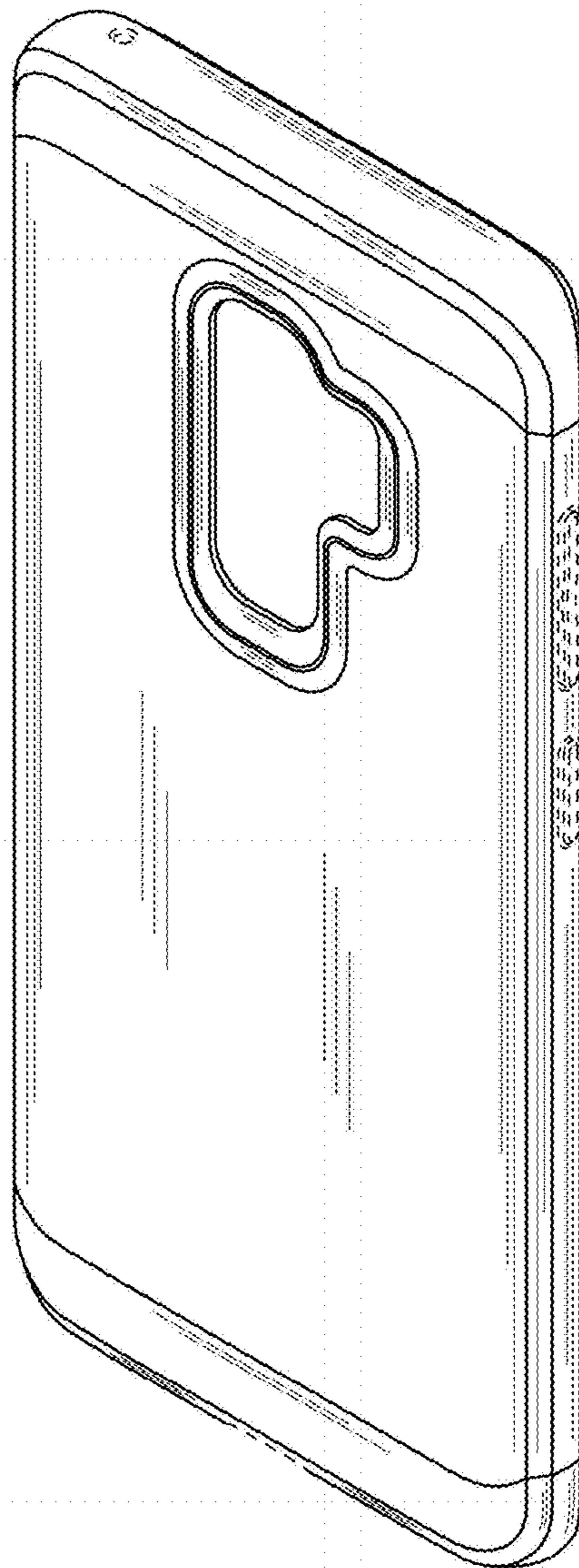


FIG. 3

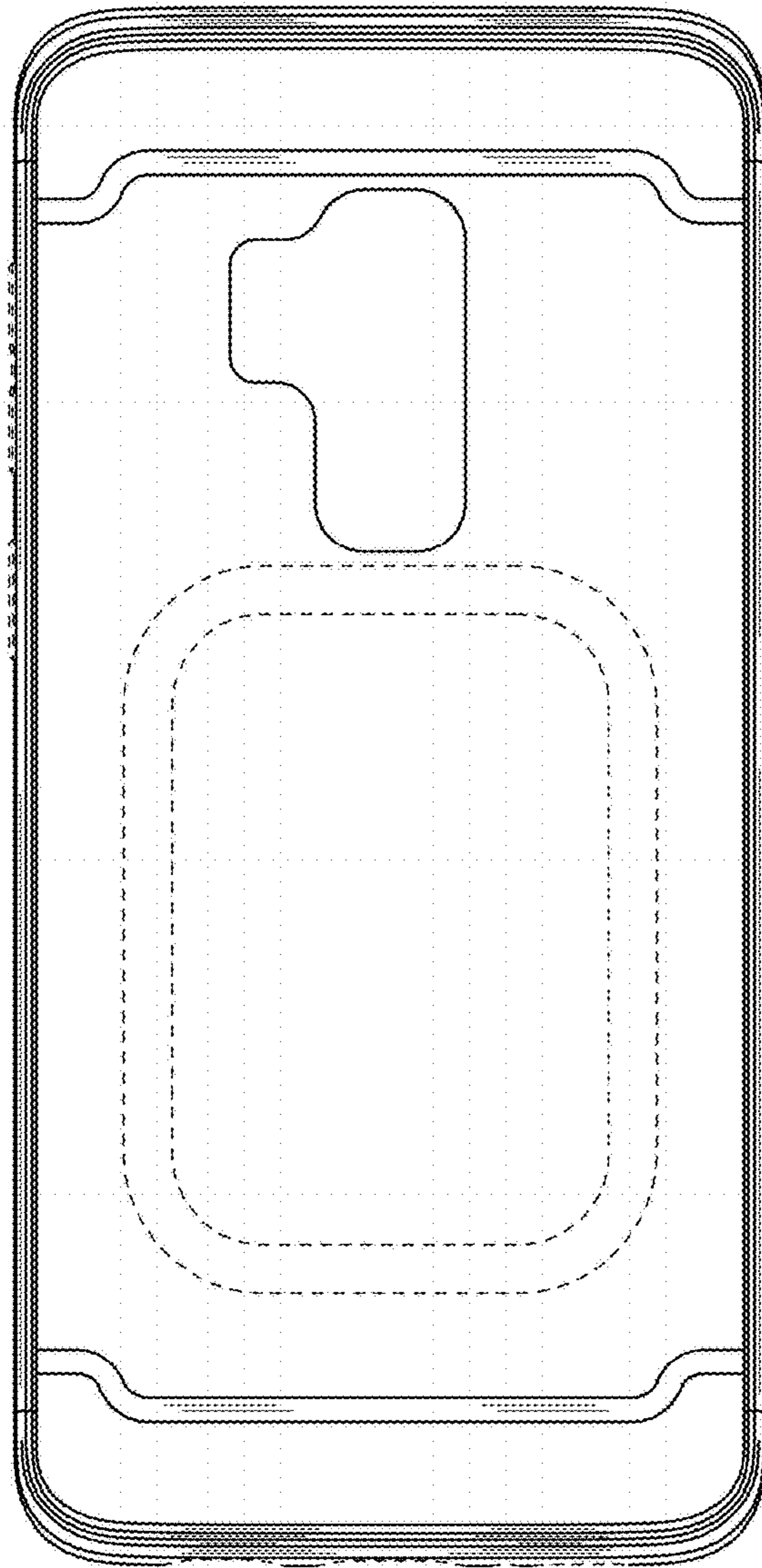


FIG. 4

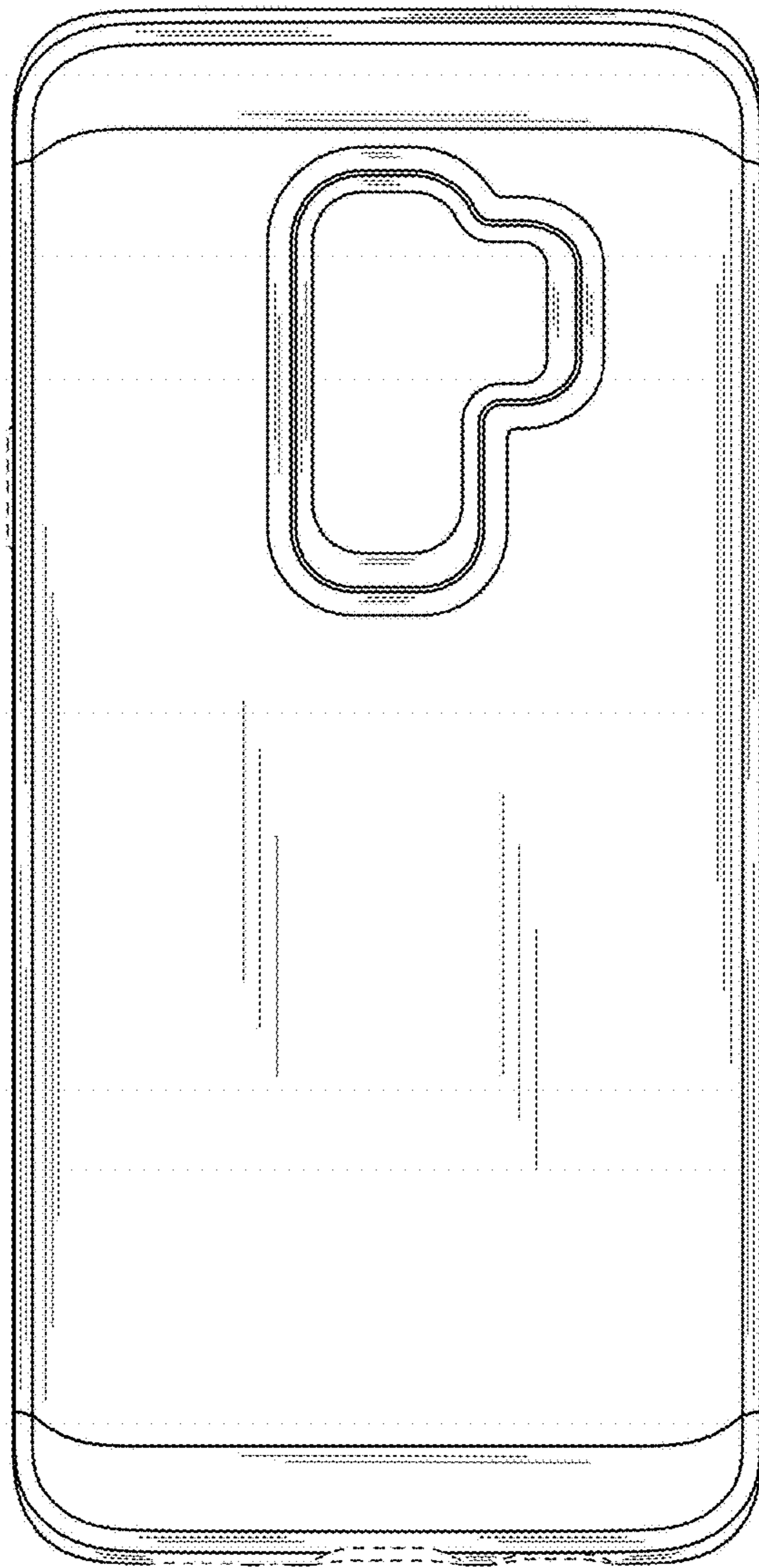


FIG. 5

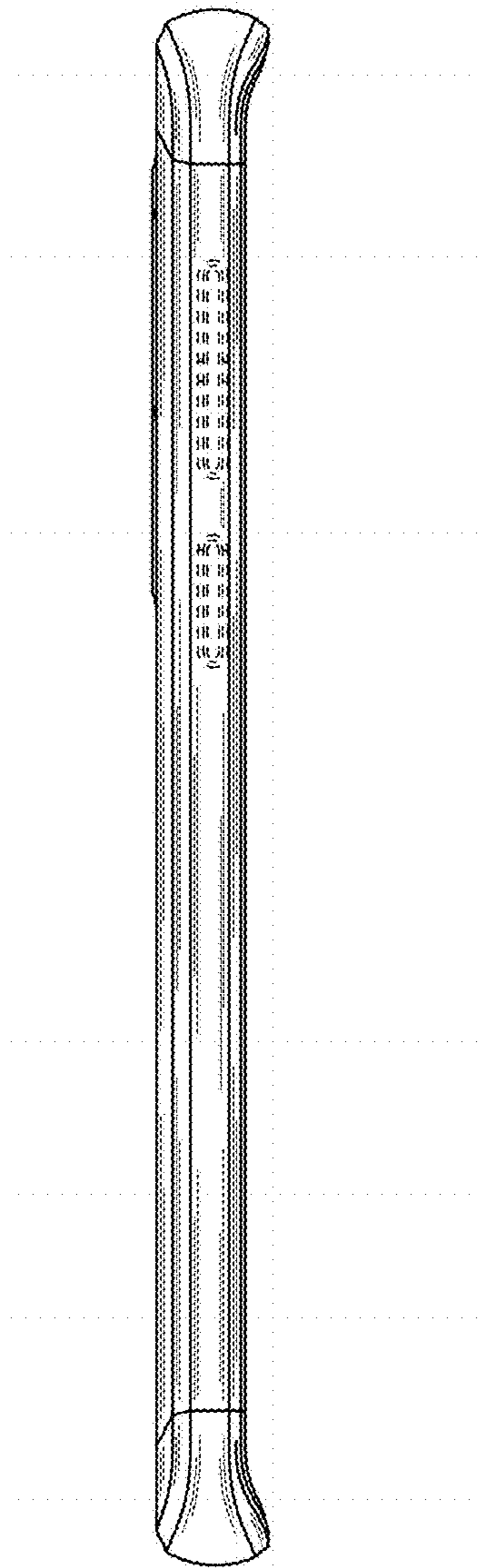


FIG. 6

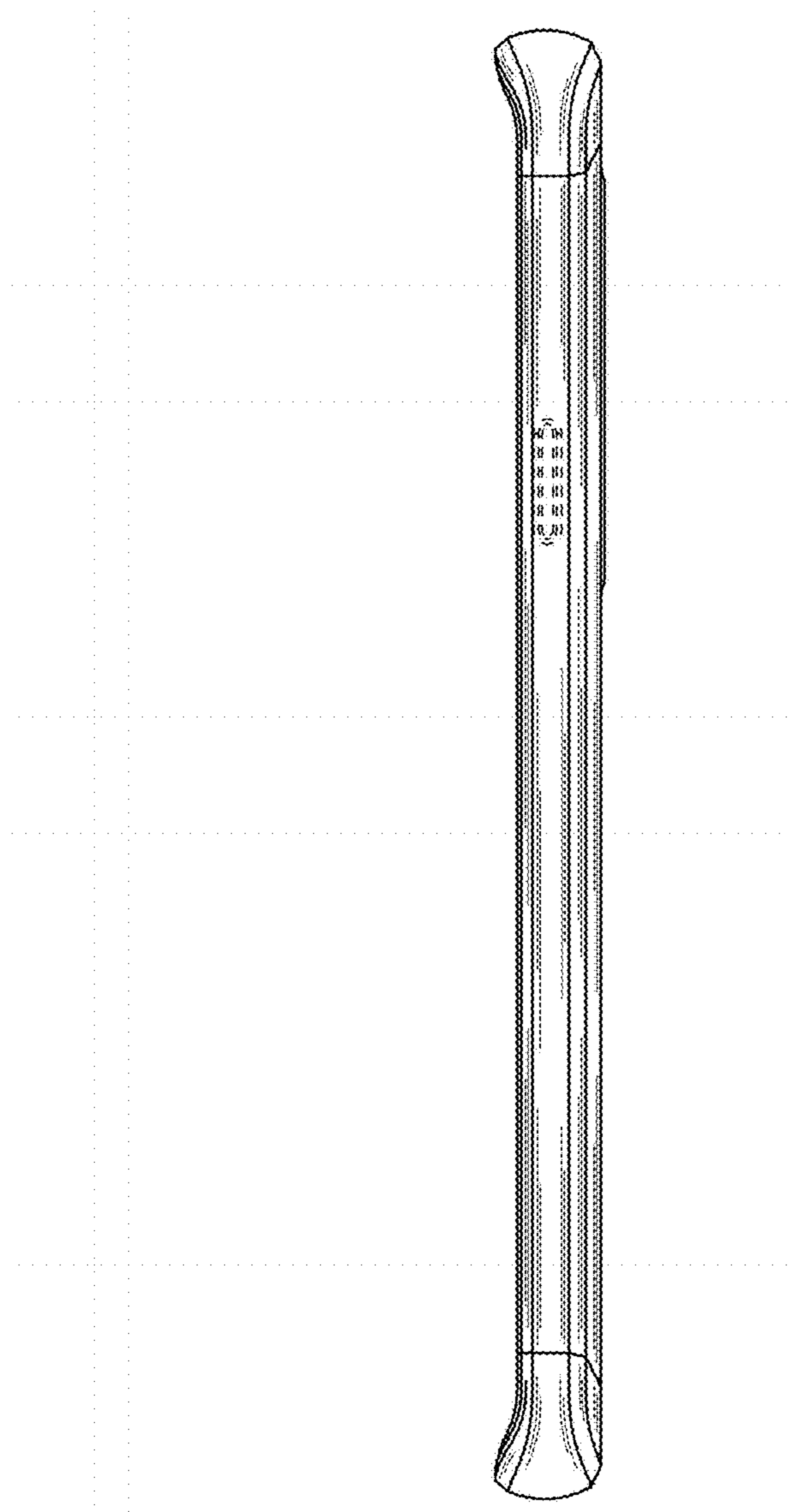


FIG. 7

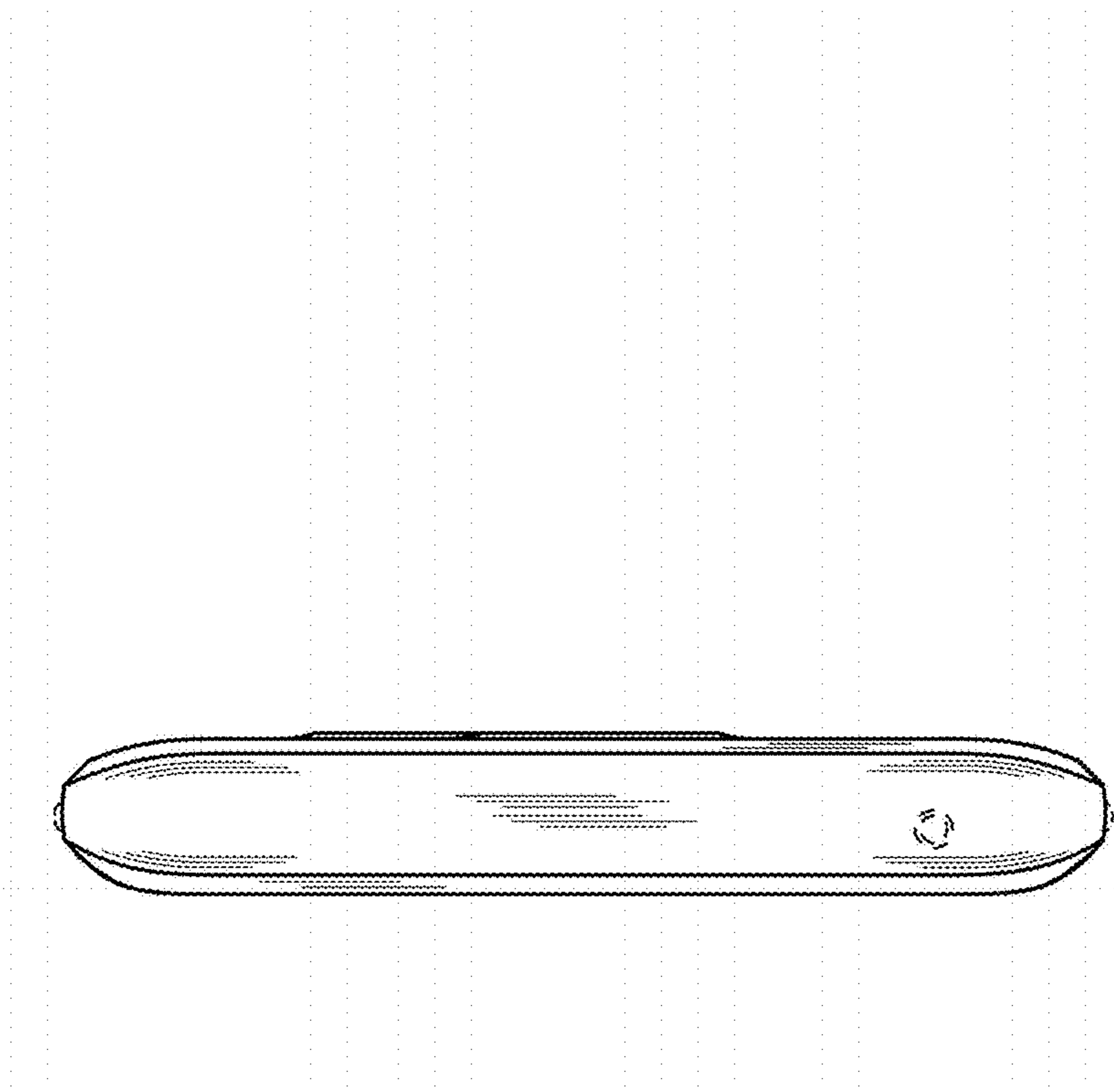


FIG. 8

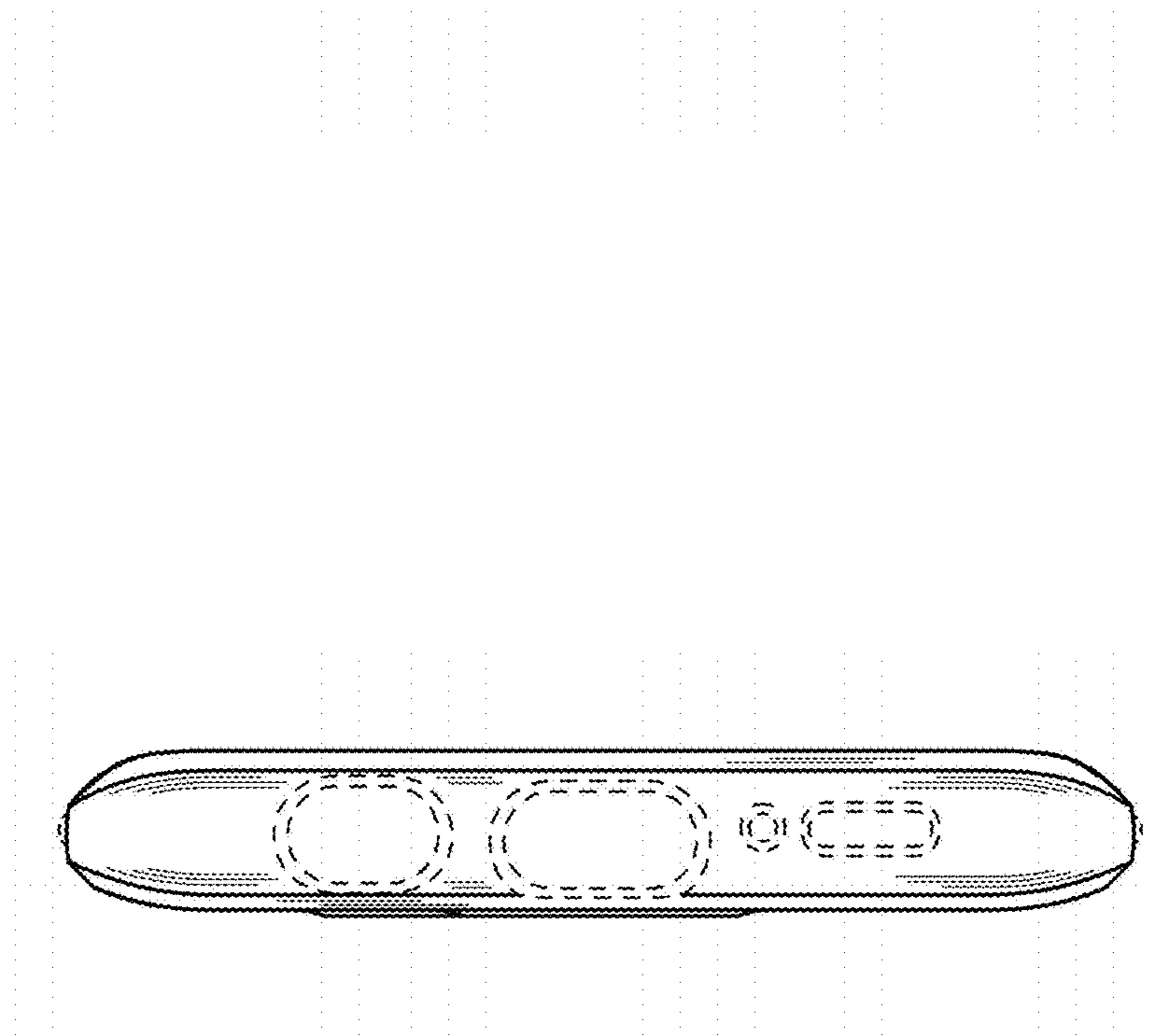


FIG. 9

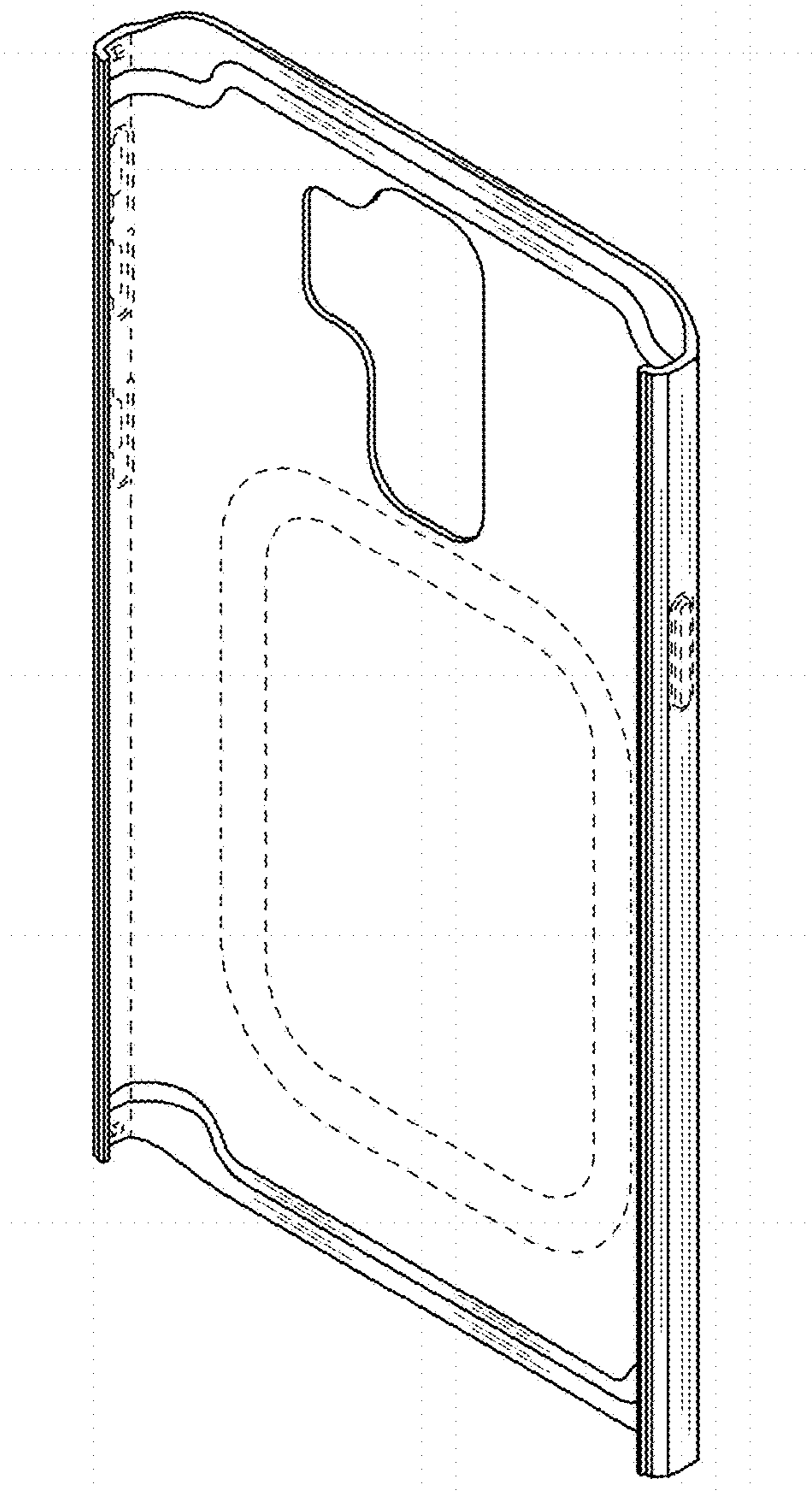


FIG. 10

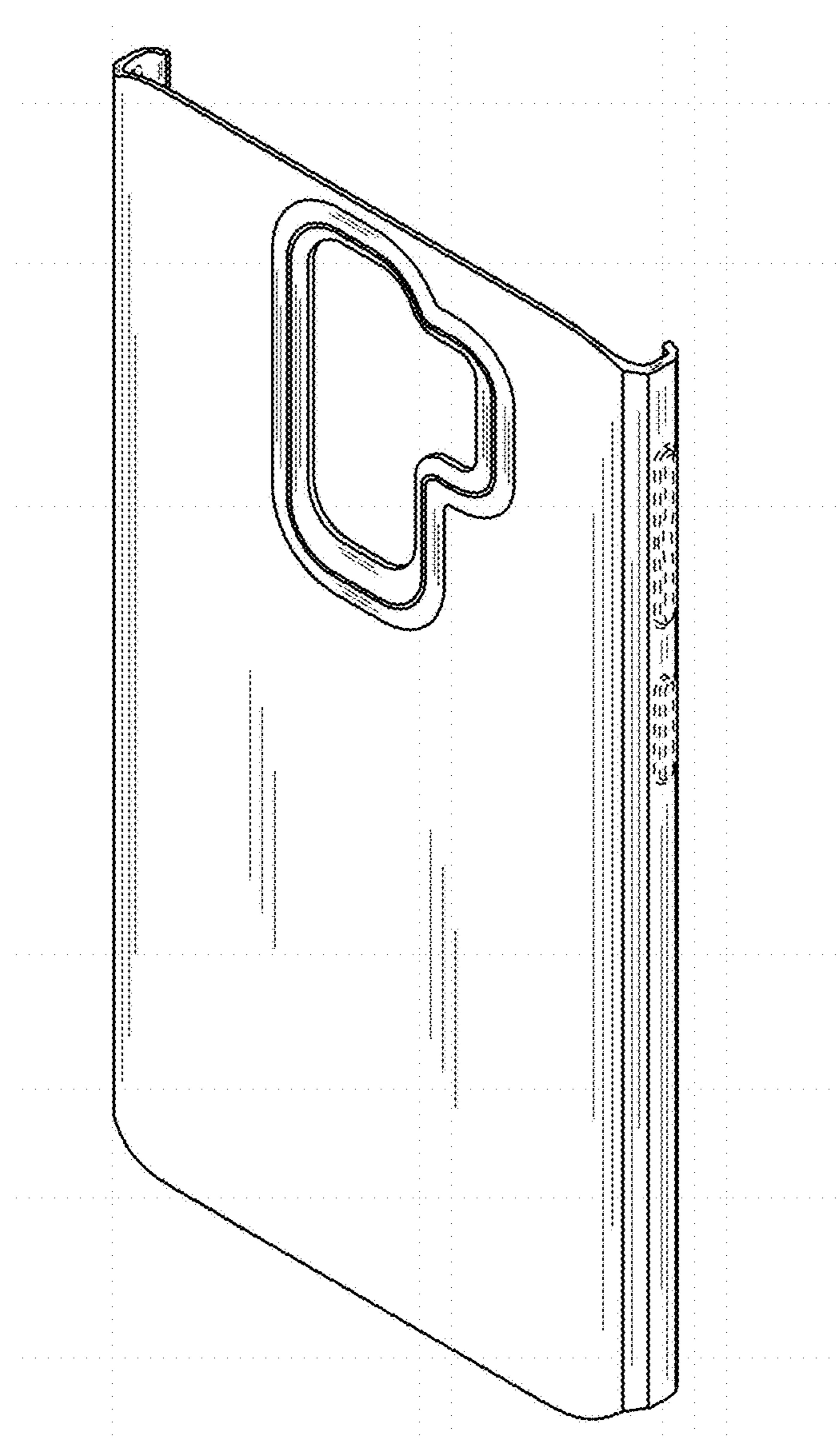


FIG. 11

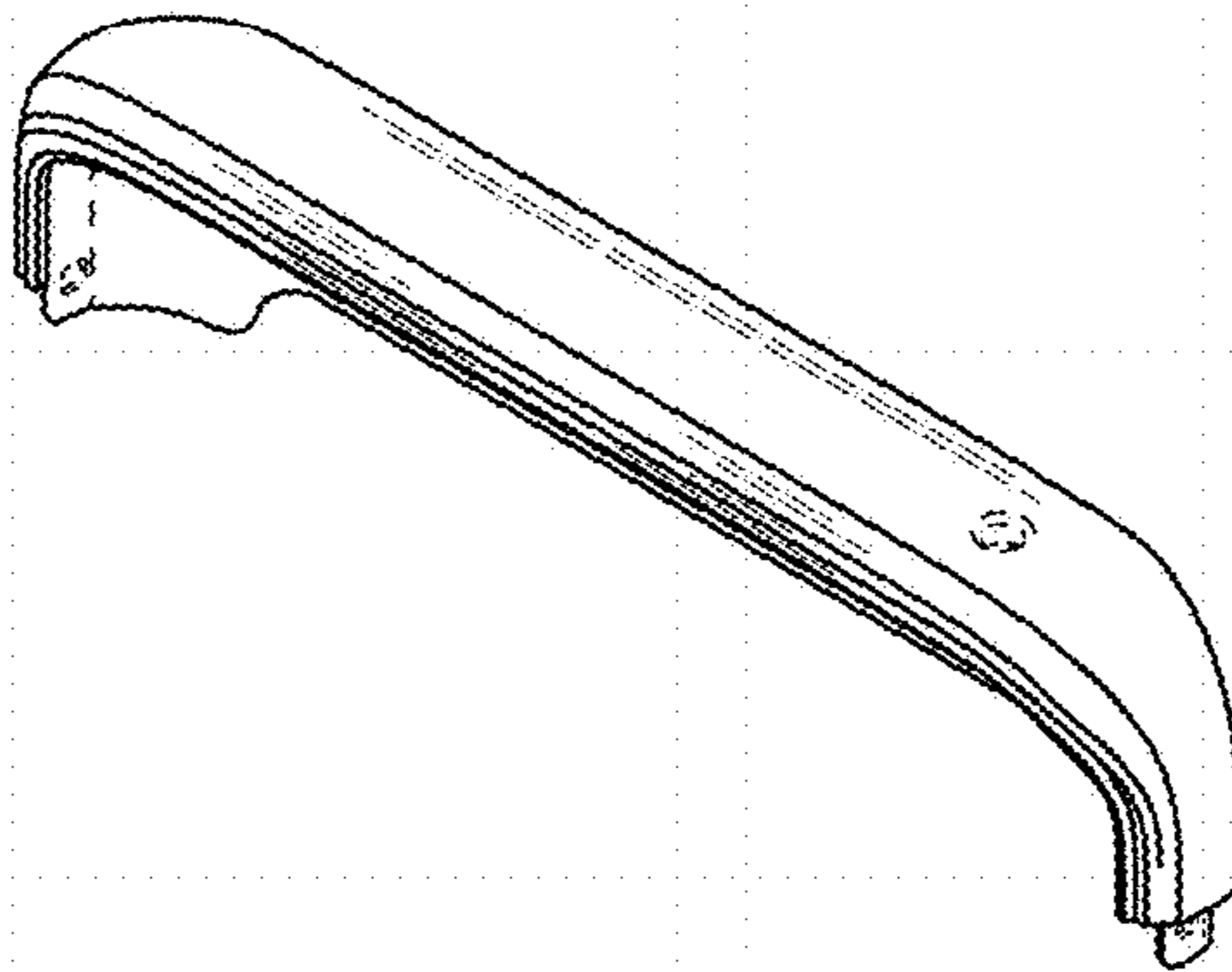


FIG. 12

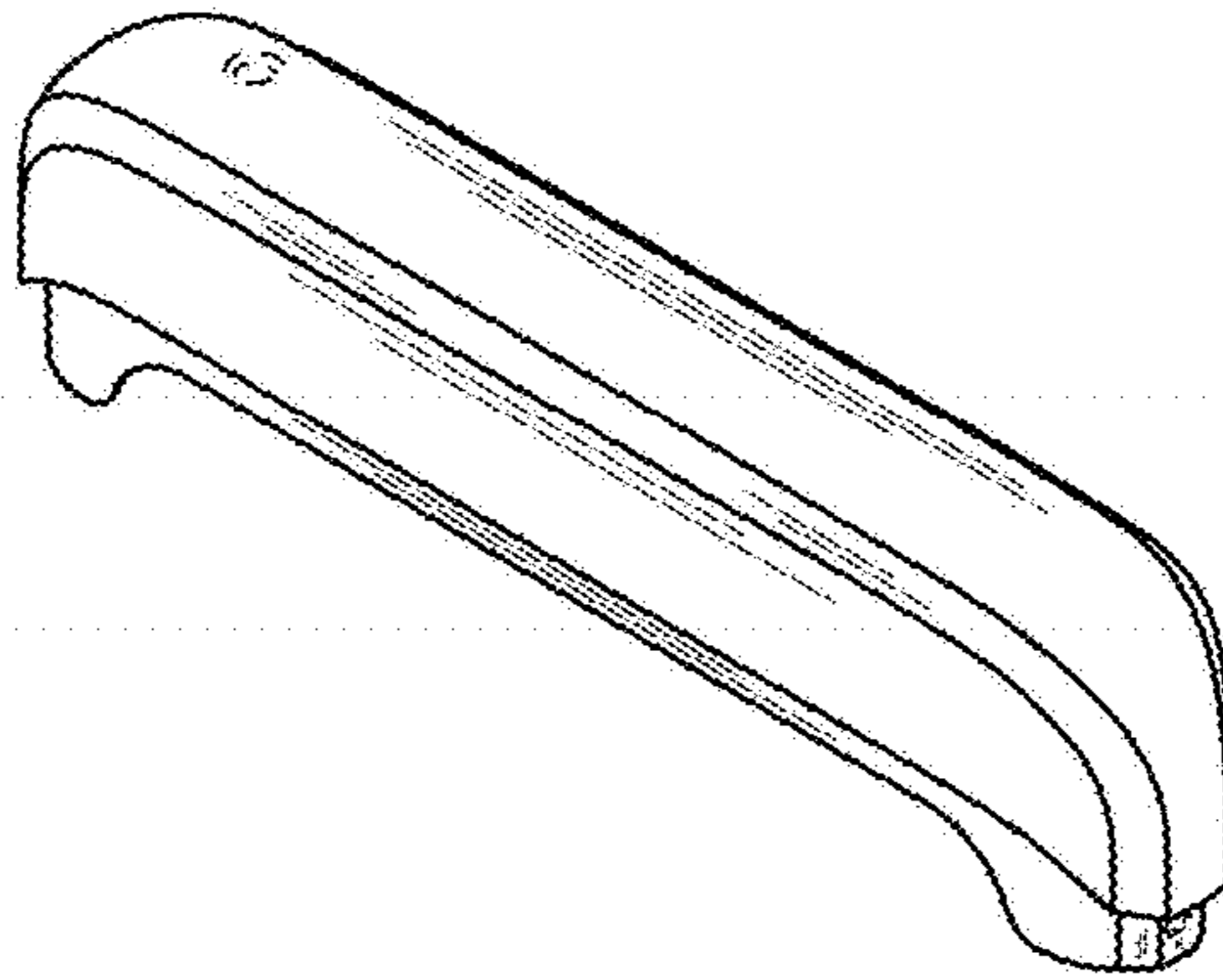


FIG. 13

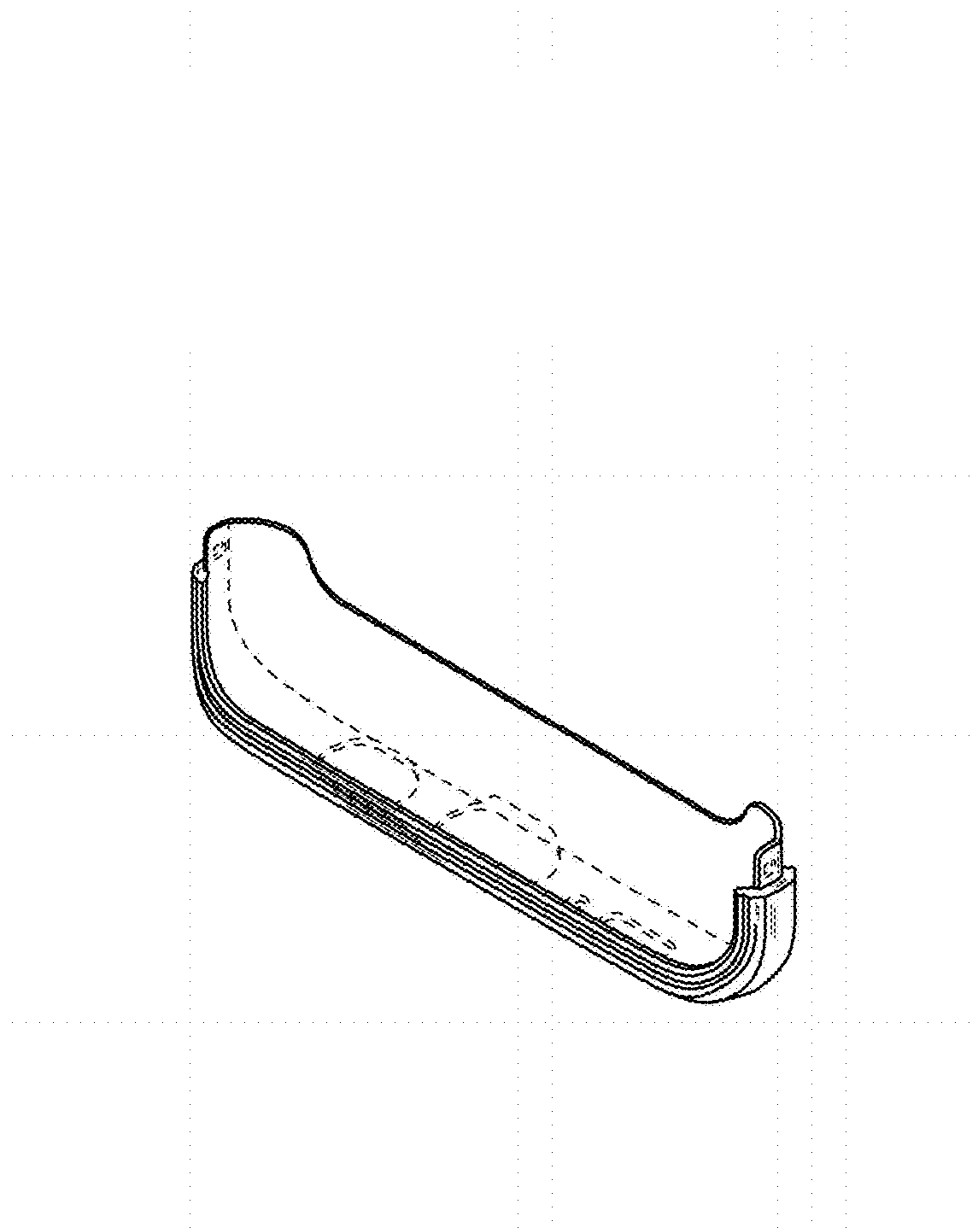


FIG. 14

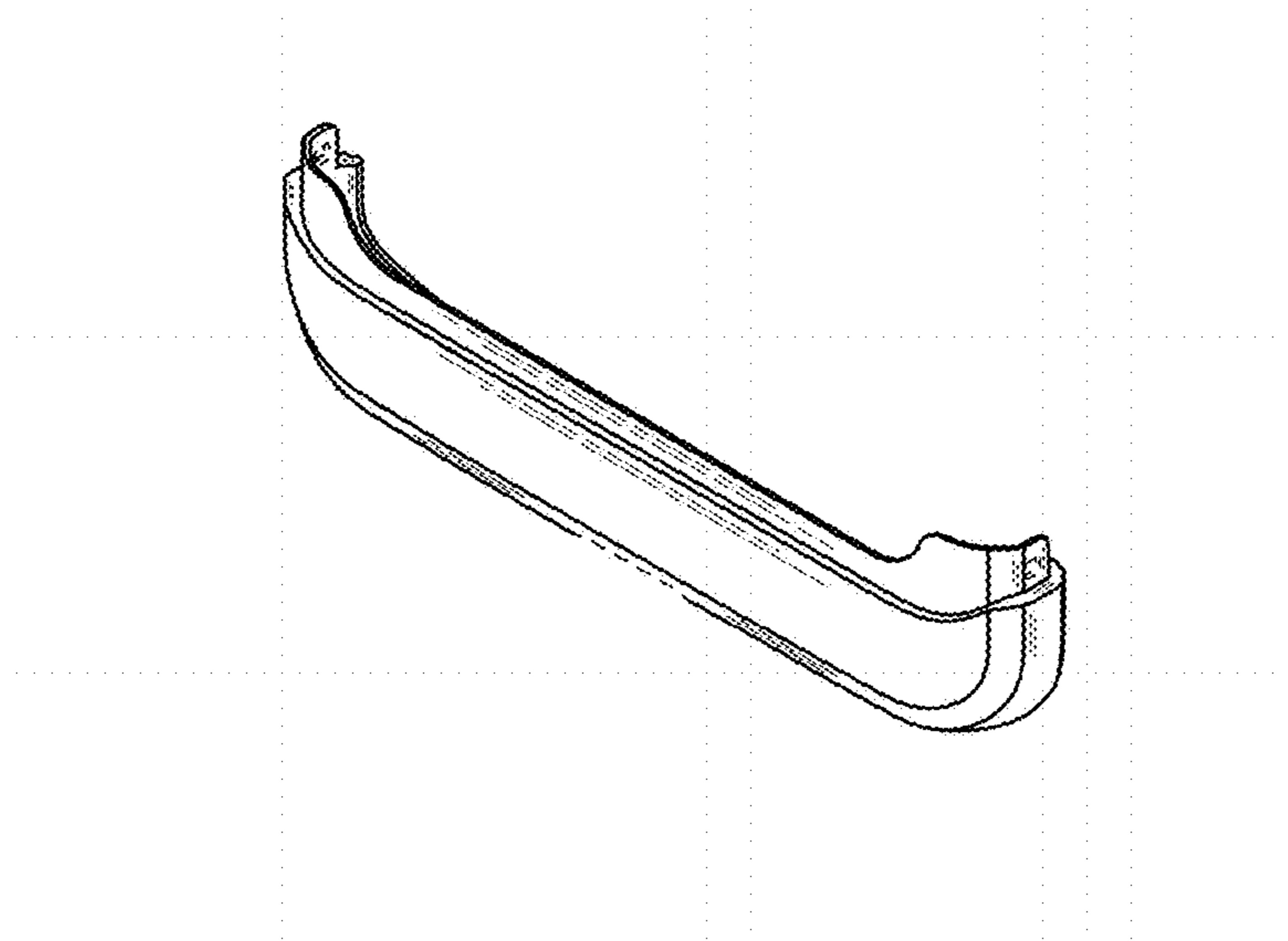


FIG. 15

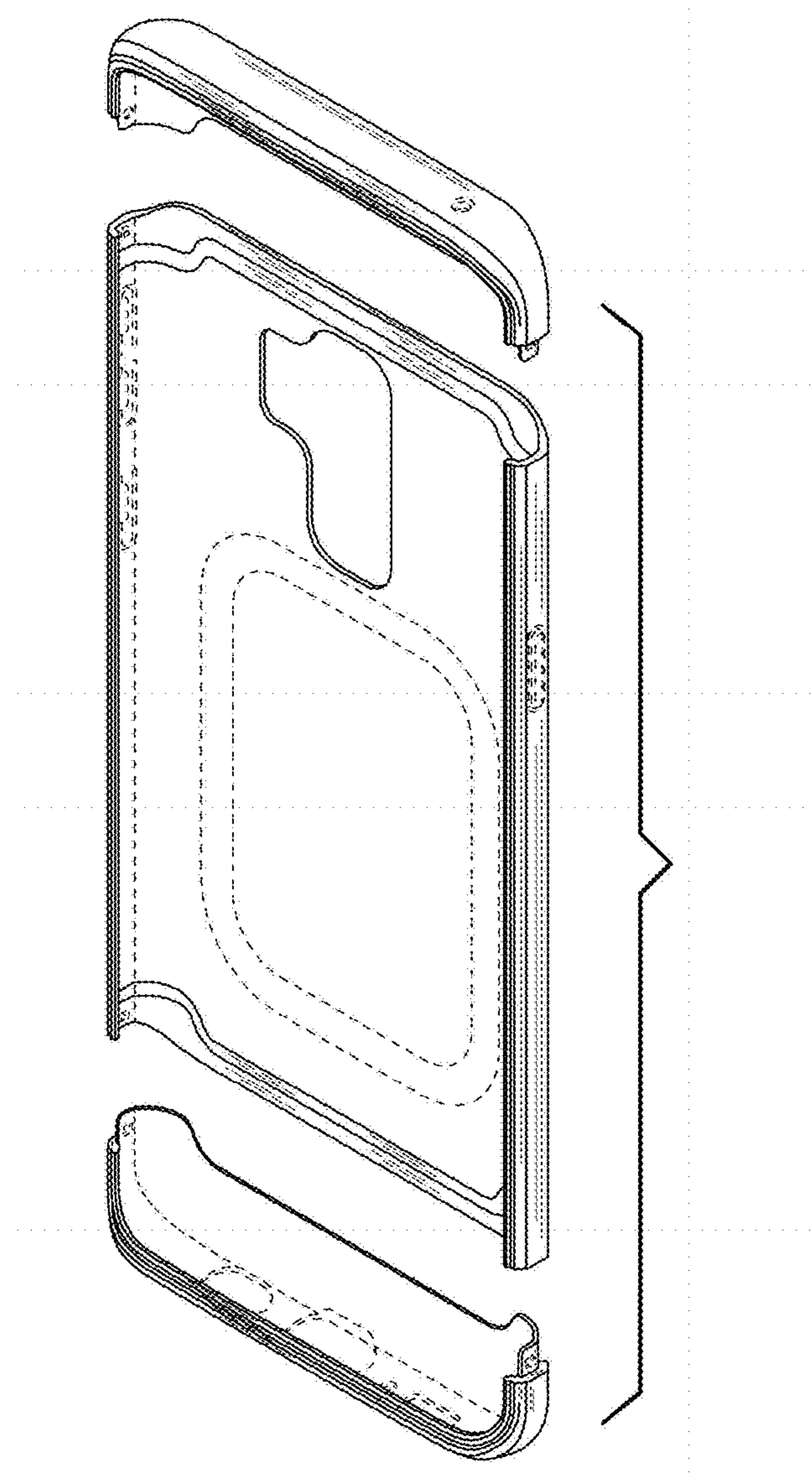


FIG. 16

