

US00D864942S

(12) **United States Design Patent** (10) **Patent No.:** **US D864,942 S**
Karis et al. (45) **Date of Patent:** **** Oct. 29, 2019**

(54) **ELECTRONIC DEVICE CARRYING CASE**
(71) Applicant: **Karis and Drake, LLC**, Los Angeles, CA (US)
(72) Inventors: **Colleen Karis**, Los Angeles, CA (US); **Maggie Drake**, Los Angeles, CA (US)
(73) Assignee: **Karis and Drake, LLC**, Los Angeles, CA (US)
(**) Term: **15 Years**

D678,871 S *	3/2013	Mishan	D14/250
D679,694 S *	4/2013	Fahrendorff	D14/250
D686,606 S *	7/2013	Hong	D14/250
D686,607 S *	7/2013	Hong	D14/250
D755,771 S *	5/2016	Norma	D14/250
D776,100 S *	1/2017	Igarashi	D14/250
D777,152 S *	1/2017	Kim	D14/250
D787,497 S *	5/2017	Friedland	D14/250
D800,711 S *	10/2017	Kim	D14/250
D810,729 S *	2/2018	Ballou	D14/250
D823,289 S *	7/2018	Akana	D14/250
D825,542 S *	8/2018	Wikstrom	D14/250
D839,256 S *	1/2019	Kim	D14/250

* cited by examiner

(21) Appl. No.: **29/625,799**
(22) Filed: **Nov. 13, 2017**

Primary Examiner — Holly E Thurman
(74) *Attorney, Agent, or Firm* — K&L Gates LLP

Related U.S. Application Data

(63) Continuation of application No. 29/572,931, filed on Aug. 1, 2016, now Pat. No. Des. 803,207, which is a continuation of application No. 29/532,613, filed on Jul. 8, 2015, now Pat. No. Des. 762,632, which is a continuation of application No. 29/459,564, filed on Jul. 1, 2013, now Pat. No. Des. 736,196.

(51) **LOC (12) Cl.** **14-03**
(52) **U.S. Cl.**
USPC **D14/250**

(58) **Field of Classification Search**
USPC D14/250–253, 440, 203.3–203.7, 217, D14/496, 248, 238.1, 240, 447; D3/201, D3/218, 269, 301, 273, 303; D13/103, D13/107–108
CPC . A45C 2011/002; A45C 11/00; A45C 13/002; A45C 2011/003; H04M 1/0283; H04M 1/0202

See application file for complete search history.

(56) **References Cited**

U.S. PATENT DOCUMENTS

D649,539 S * 11/2011 Hong D14/250
D674,798 S * 1/2013 Kim D14/440

(57) **CLAIM**

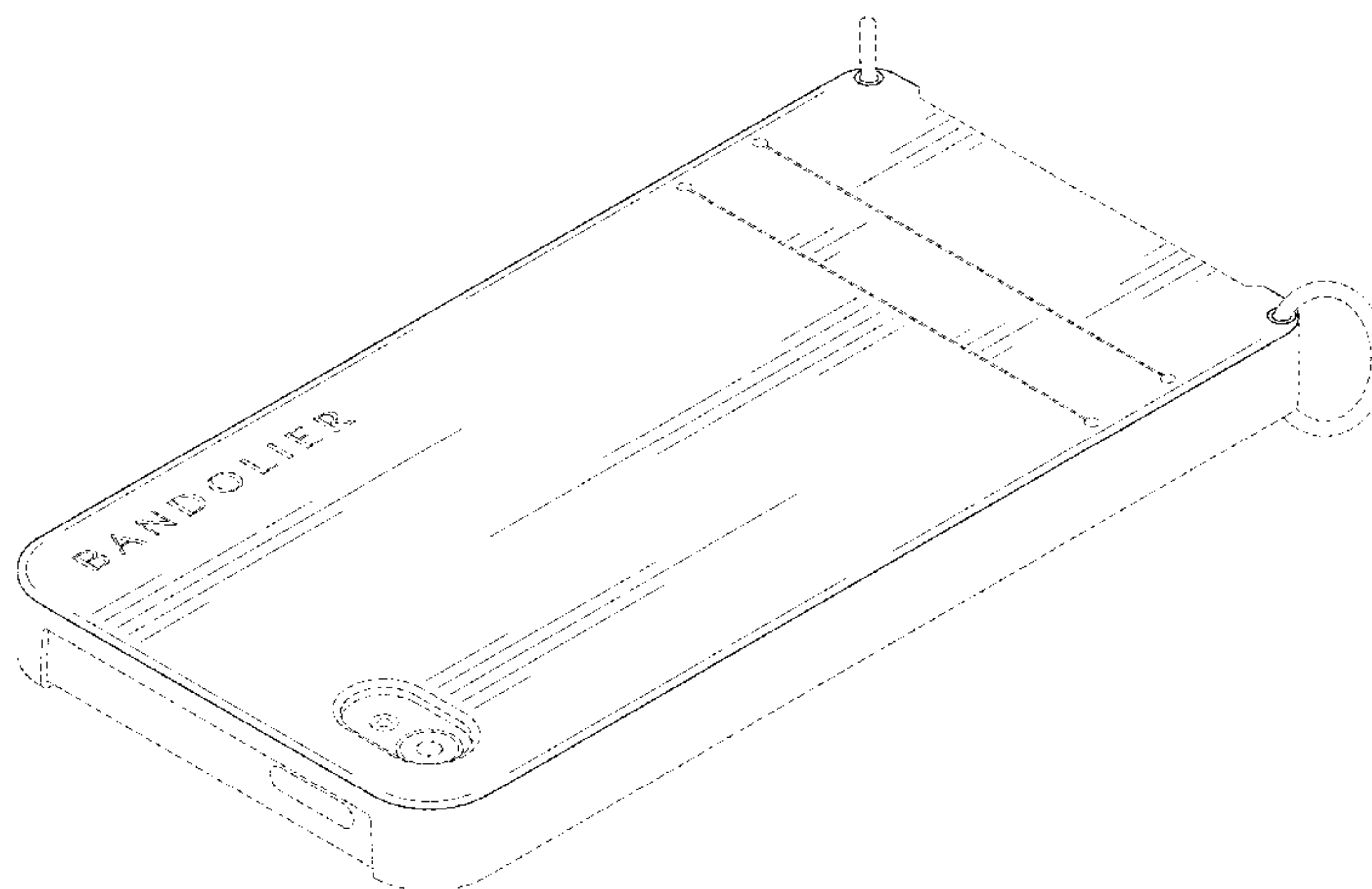
The ornamental design for an electronic device carrying case, as shown and described.

DESCRIPTION

FIG. 1 is a back view of an electronic device carrying case showing our new design, in which the case is shown on a smaller scale;
FIG. 2 is a perspective view thereof;
FIG. 3 is a back view thereof;
FIG. 4 is a front view thereof;
FIG. 5 is a first end view thereof;
FIG. 6 is a second end view thereof;
FIG. 7 is a first side view thereof; and,
FIG. 8 is a second side view thereof.

The unshaded surfaces that are visible through the openings and the broken lines on the unshaded surfaces depict an unclaimed electronic device. All other broken lines depict unclaimed portions of the electronic device carrying case and unclaimed environment and form no part of the claimed design.

1 Claim, 5 Drawing Sheets



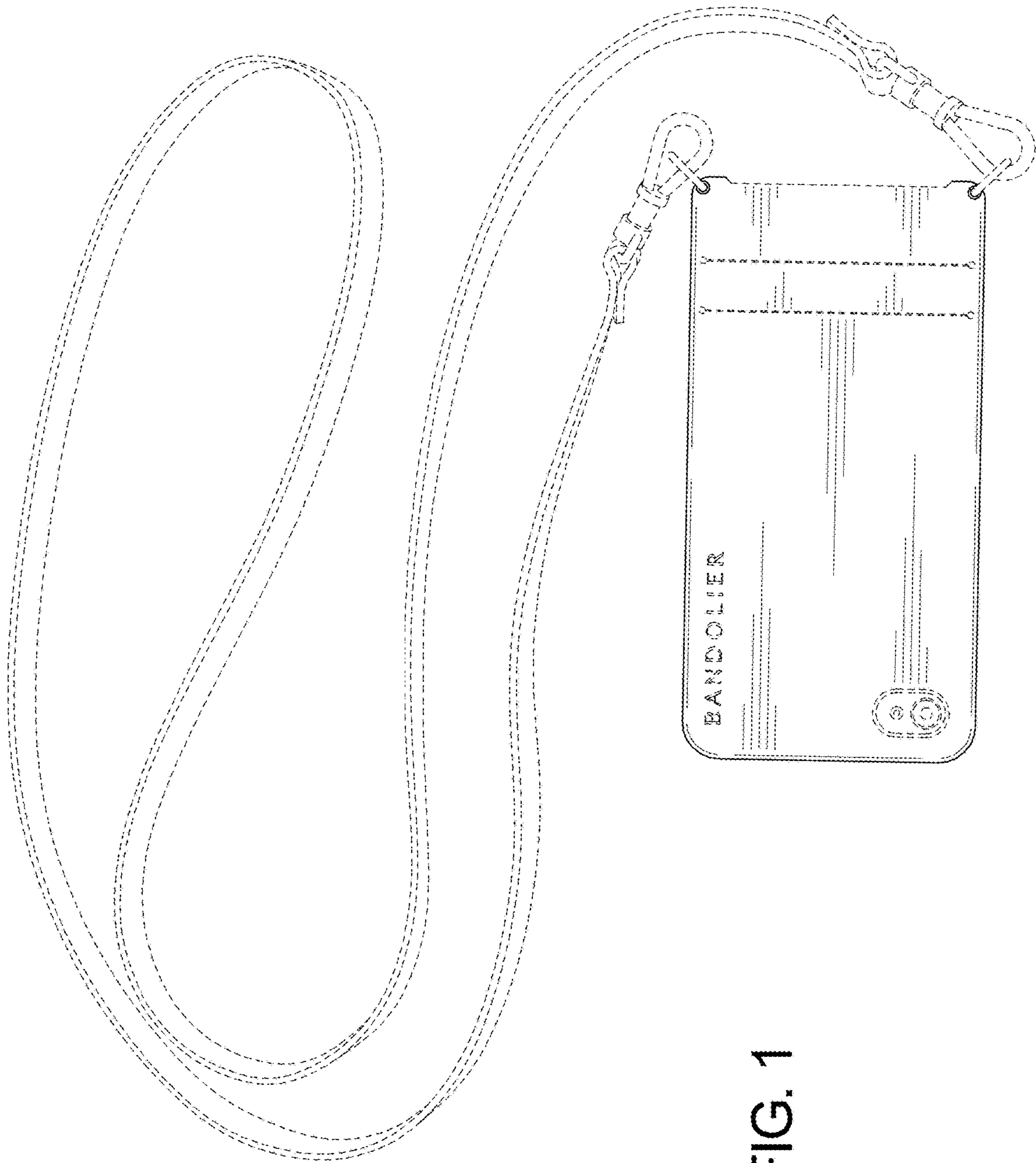


FIG. 1

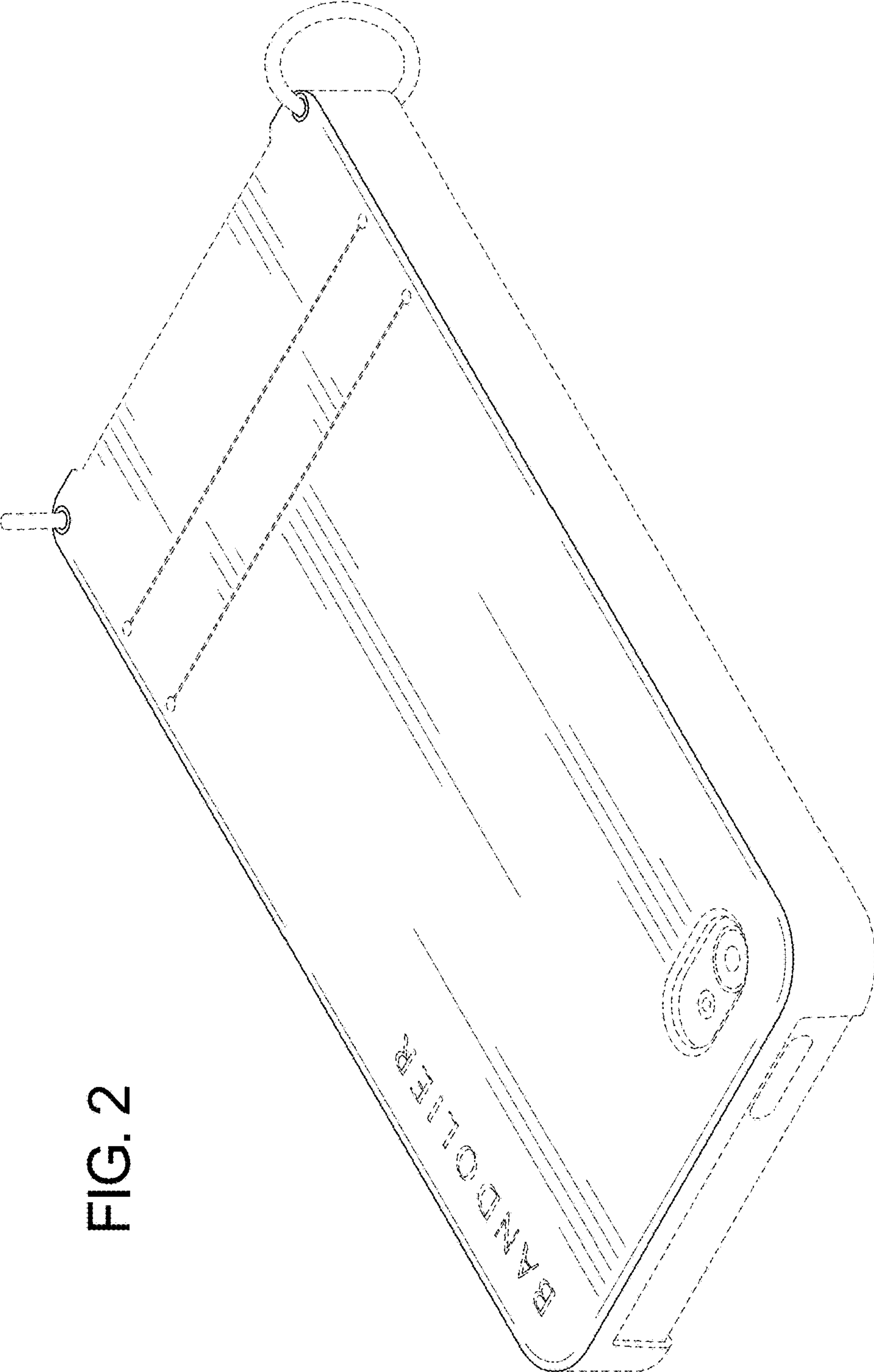


FIG. 2

FIG. 3

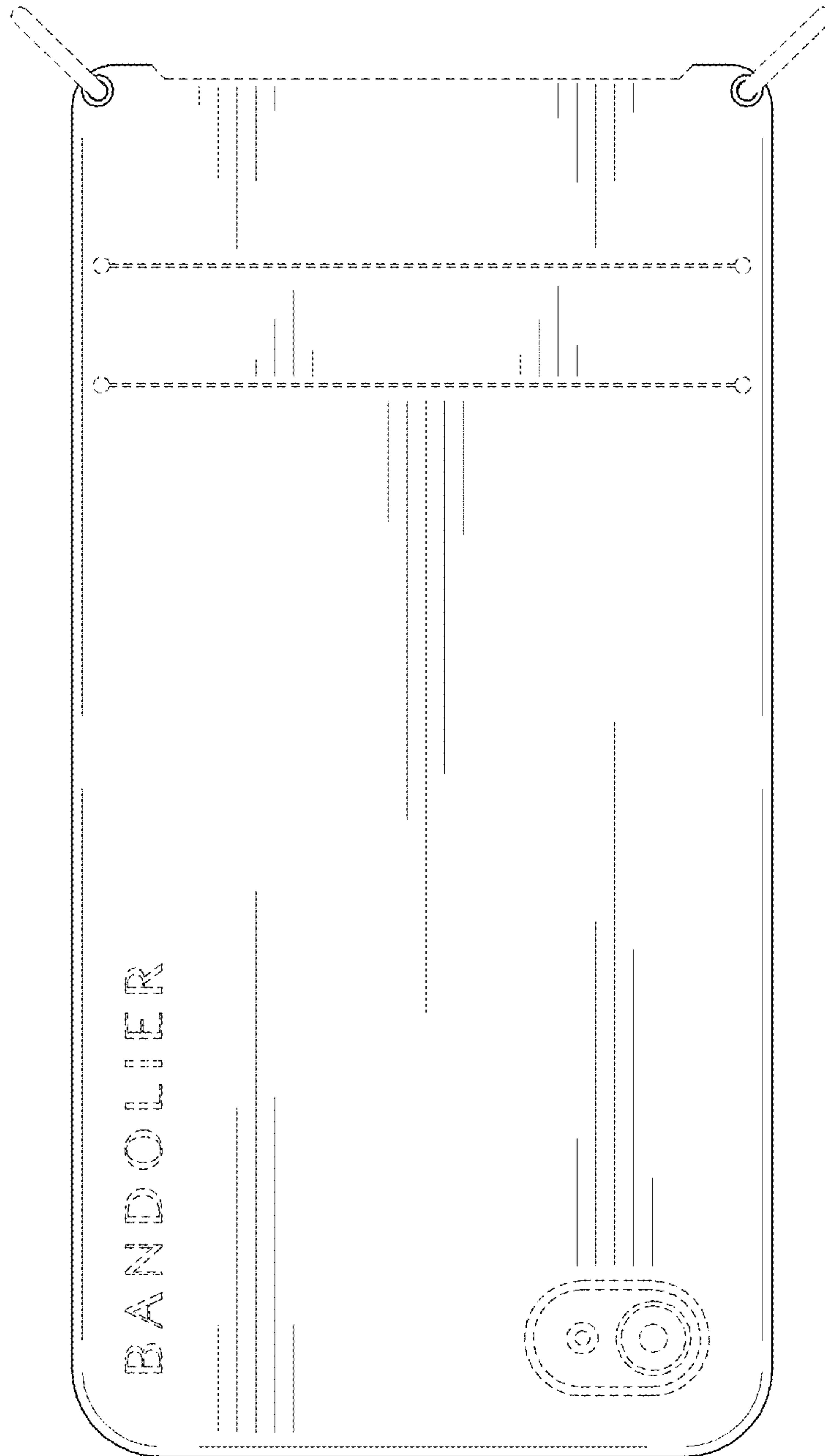


FIG. 4

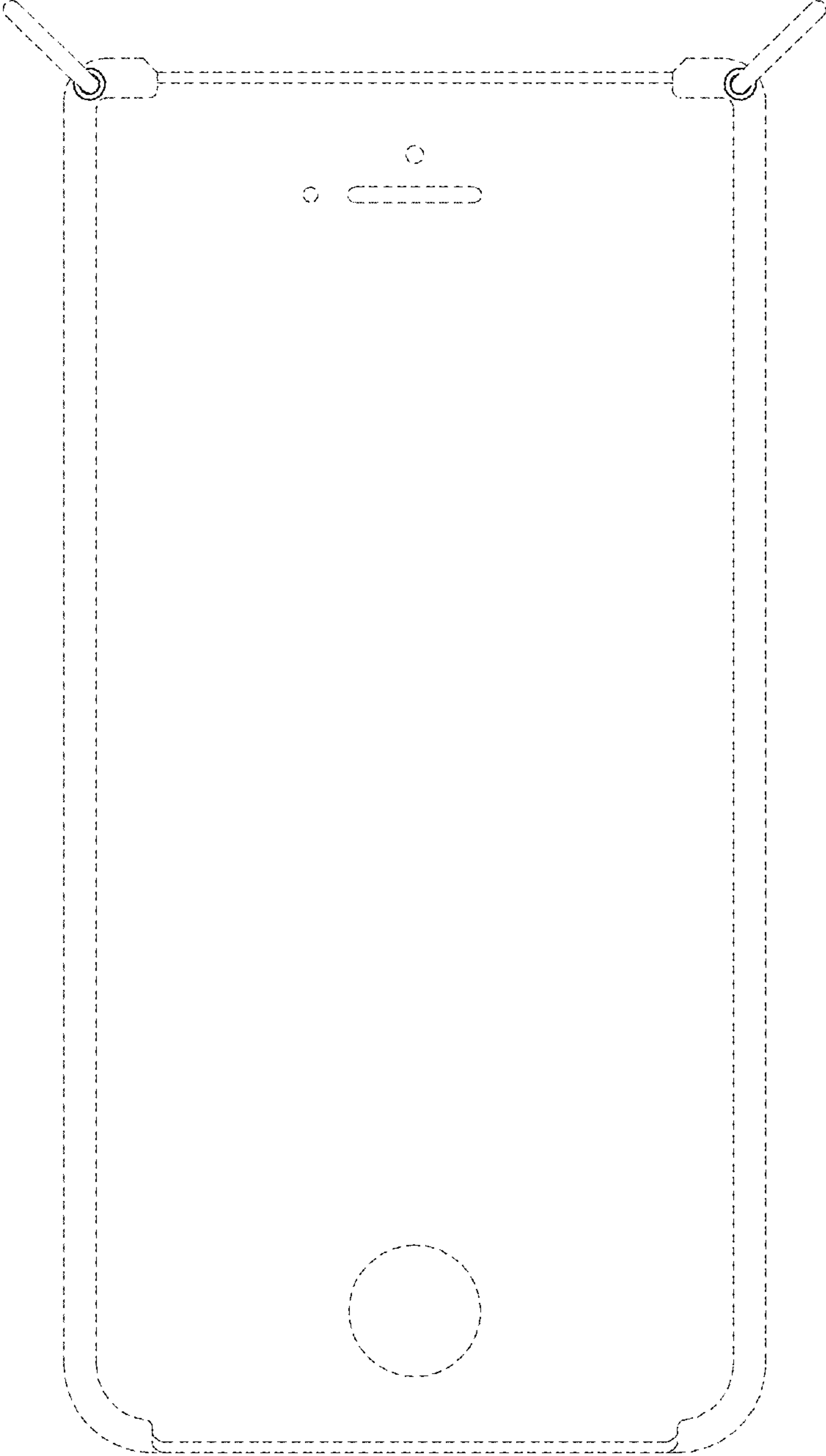


FIG. 5

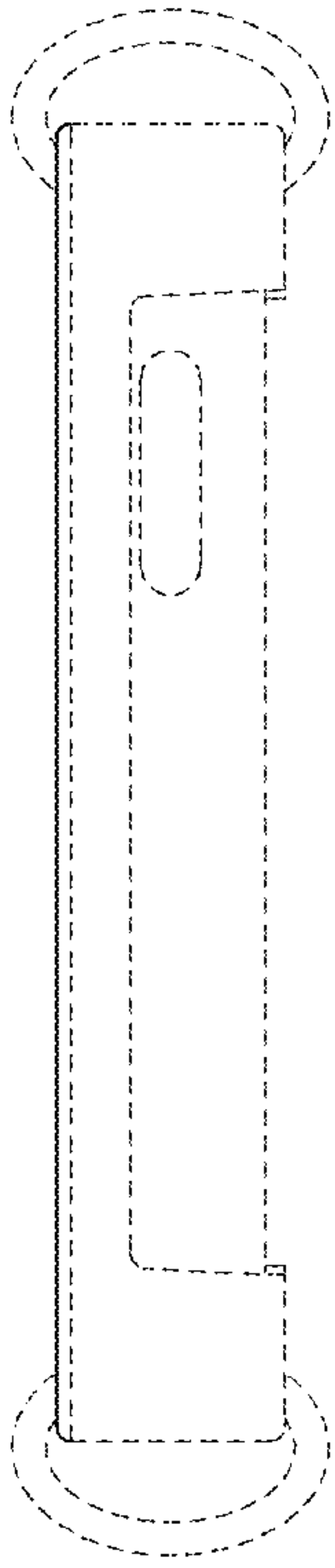


FIG. 6

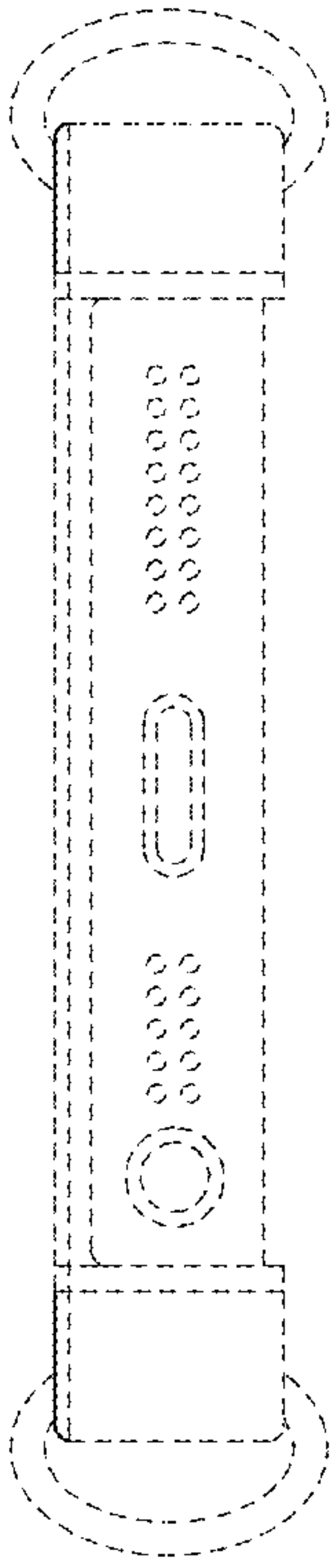


FIG. 7

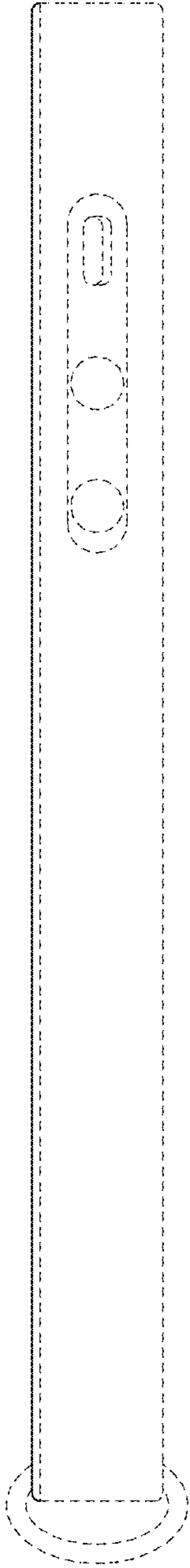


FIG. 8

