



US00D864939S

(12) **United States Design Patent** (10) **Patent No.:** **US D864,939 S**  
**Kim** (45) **Date of Patent:** **\*\* \*Oct. 29, 2019**

(54) **CASE FOR ELECTRONIC DEVICE**

CPC . A45C 2011/002; A45C 11/00; A45C 13/002;  
A45C 2011/003; H04M 1/0283; H04M  
1/0202; H04M 1/185; H04B 1/3888

(71) Applicant: **SPIGEN KOREA CO., LTD.**, Seoul  
(KR)

See application file for complete search history.

(72) Inventor: **Dae-Young Kim**, Seoul (KR)

(56) **References Cited**

(73) Assignee: **SPIGEN KOREA CO., LTD.**, Seoul  
(KR)

U.S. PATENT DOCUMENTS

(\*) Notice: This patent is subject to a terminal disclaimer.

D565,291 S 4/2008 Brandenburg et al.  
D609,463 S 2/2010 Bullen  
D621,822 S 8/2010 Richardson et al.

(Continued)

(\*\*) Term: **15 Years**

OTHER PUBLICATIONS

(21) Appl. No.: **29/613,459**

“iPhone SE 5S 5 Tough Case, Fone-Stuff®—2 Layer Armor Shell Hardback Cover in White (Includes Screen Protector)”, [https://www.amazon.co.uk/iPhone-Touch-Case-Fone-Stuff-Protector/dp/B00J7Y547O/ref=sr\\_1\\_4](https://www.amazon.co.uk/iPhone-Touch-Case-Fone-Stuff-Protector/dp/B00J7Y547O/ref=sr_1_4); available online Mar. 24, 2014.

(22) Filed: **Aug. 10, 2017**

(Continued)

**Related U.S. Application Data**

(63) Continuation of application No. 29/593,707, filed on Feb. 10, 2017, now Pat. No. Des. 807,338, which is a continuation of application No. 29/568,017, filed on Jun. 14, 2016, now Pat. No. Des. 788,760, which is a continuation of application No. 29/495,236, filed on Jun. 27, 2014, now Pat. No. Des. 771,607, and a continuation of application No. 29/568,020, filed on Jun. 14, 2016, now Pat. No. Des. 791,116, which is a continuation of application No. 29/495,236, filed on Jun. 27, 2014, now Pat. No. Des. 771,607, and a continuation of application No. 29/568,021, filed on Jun. 14, 2016, now Pat. No. Des. 786,233, which is a

(Continued)

*Primary Examiner* — Holly E Thurman

(74) *Attorney, Agent, or Firm* — Heedong Chae; Lucem, PC

(57) **CLAIM**

The ornamental design for a case for electronic device, as shown and described.

**DESCRIPTION**

FIG. 1 is a front perspective view of a case for electronic device showing my new design;  
FIG. 2 is another front perspective view thereof;  
FIG. 3 is a rear perspective view thereof;  
FIG. 4 is a front elevational view thereof;  
FIG. 5 is a rear elevational view thereof;  
FIG. 6 is a left side elevational view thereof;  
FIG. 7 is a right side elevational view thereof;  
FIG. 8 is a top plan view thereof; and,  
FIG. 9 is a bottom plan view thereof.

(Continued)

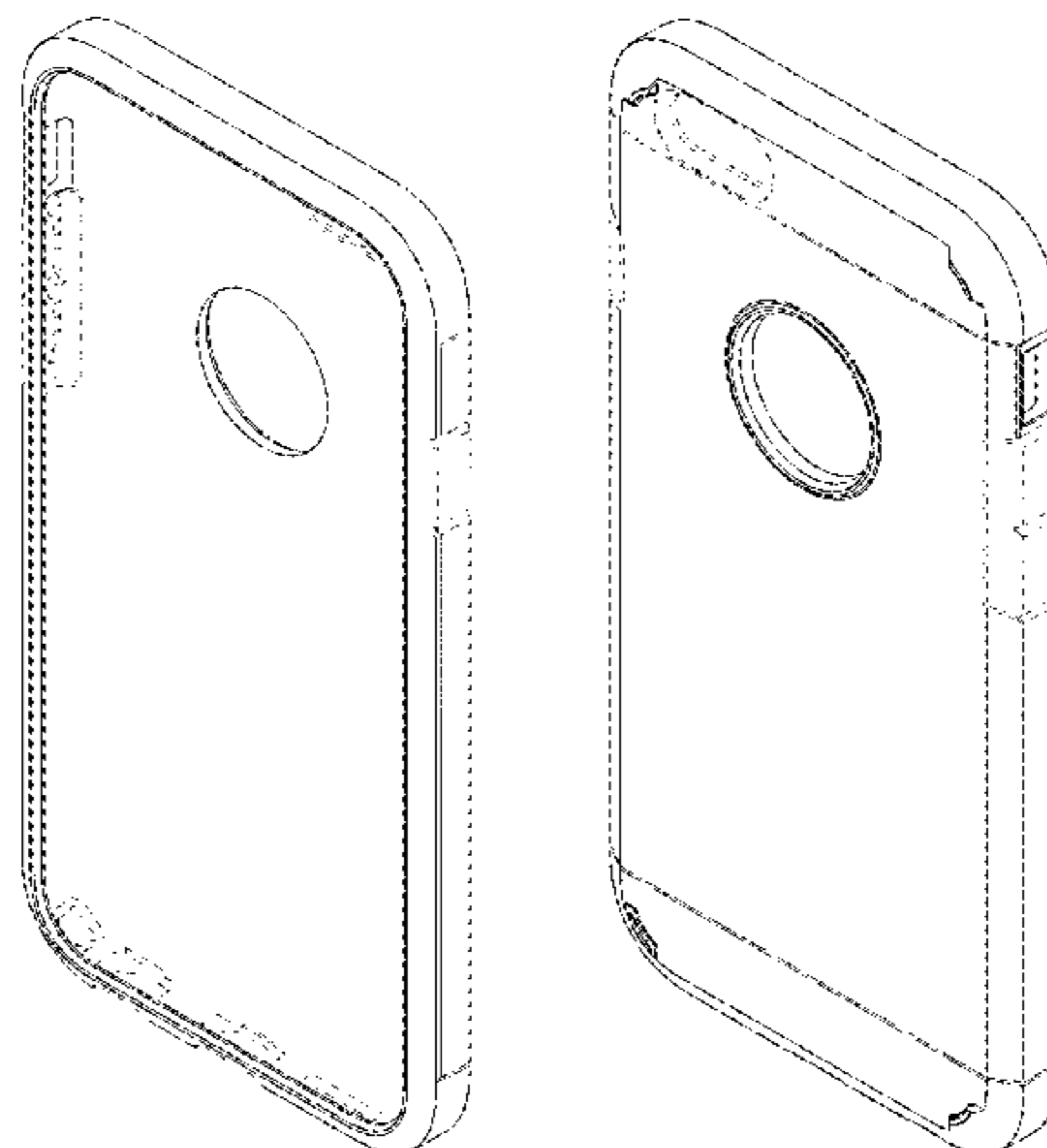
(51) **LOC (12) Cl.** ..... **14-03**

(52) **U.S. Cl.**

USPC ..... **D14/250**

(58) **Field of Classification Search**

USPC ..... D14/250–253, 440, 203.3–203.7, 217,  
D14/496, 248, 238.1, 240, 447, 230, 247,  
D14/341, 345, 346, 439; D3/201, 218,  
D3/269, 301, 273, 303; D13/103,  
D13/107–108



The broken lines depict of unclaimed environment and form no part of the claimed design.

**1 Claim, 9 Drawing Sheets**

**Related U.S. Application Data**

continuation of application No. 29/495,236, filed on Jun. 27, 2014, now Pat. No. Des. 771,607.

(56)

**References Cited**

**U.S. PATENT DOCUMENTS**

D624,064 S	9/2010	Esposito	
D624,910 S	10/2010	Richardson et al.	
D644,218 S	8/2011	Akana et al.	
D657,782 S	4/2012	Biller	
D659,691 S	5/2012	Kim et al.	
D662,092 S	6/2012	Bau	
D676,845 S	2/2013	Melanson et al.	
D677,249 S	3/2013	Li et al.	
D677,251 S	3/2013	Melanson et al.	
D682,260 S	5/2013	Tages et al.	
D684,150 S	6/2013	Goradesky et al.	
D685,361 S	7/2013	Goradesky et al.	
D689,852 S	9/2013	Azoulay	
8,681,491 B1	3/2014	Cruz et al.	
D703,652 S	4/2014	Melanson	
D703,654 S	4/2014	Melanson et al.	
D703,655 S	4/2014	Melanson	
D714,274 S	9/2014	Jung et al.	
D714,278 S	9/2014	Case et al.	
D721,685 S	1/2015	Hasbrook et al.	
D729,218 S	5/2015	Willson et al.	
D732,498 S	6/2015	Huang	
D736,205 S	8/2015	Park	
D739,391 S	9/2015	Chen	
9,143,181 B1	9/2015	Jia et al.	
D741,279 S	10/2015	Tai	
D741,844 S	10/2015	Rayner	
D741,845 S	10/2015	Kim	
D743,389 S	11/2015	Akana	
D743,931 S	11/2015	Hubbard	
D744,471 S	12/2015	Fitzgerald	
D746,273 S	12/2015	Herbst	
D746,275 S	12/2015	Mohammad	
D746,801 S	1/2016	Pan	
D746,805 S	1/2016	Kim	
D747,306 S	1/2016	Kim	
D748,614 S	2/2016	Ju	
D749,555 S	2/2016	Poon et al.	
D749,563 S	2/2016	Akana	
D749,567 S	2/2016	Lee	
D749,591 S	2/2016	Akana	
9,247,795 B2	2/2016	Kim	
D752,037 S	3/2016	Akana	
9,295,174 B2	3/2016	Witter	
9,301,414 B2	3/2016	Chao	
D753,099 S	4/2016	Kim	
D753,641 S	4/2016	Roberts	
D754,651 S	4/2016	Roberts	
D754,652 S	4/2016	Roberts	
D756,340 S	5/2016	Babichenko	
D756,978 S	5/2016	Addonisio	
D759,641 S *	6/2016	Lai .....	D14/250
D775,112 S	12/2016	Hemesath et al.	
D796,497 S *	9/2017	Kim .....	D14/250

D802,574 S *	11/2017	Kim .....	D14/250
2011/0297578 A1 *	12/2011	Stiehl .....	B29C 45/1676 206/701
2014/0051488 A1	2/2014	Chung	
2014/0216952 A1 *	8/2014	Liang .....	H04M 1/18 206/37

**OTHER PUBLICATIONS**

“iPhone SE/5s/5/TONE,” <https://www.switcheasy.com/iphone-se5s5/24-tones>, Downloaded Jun. 13, 2016.

“Lunatik SMK5-001 Seismik Touch Suspension Frame for iPhone 5/iPhone 5S-Retail Packaging-Black/Smoke,” [https://www.amazon.com/Lunatik-SMK5-001-Seismik-Suspension-iPhone/dp/B00BF780QS?ie=UTF8&\\*Version\\*=1&\\*entries\\*=0](https://www.amazon.com/Lunatik-SMK5-001-Seismik-Suspension-iPhone/dp/B00BF780QS?ie=UTF8&*Version*=1&*entries*=0), Downloaded Jun. 13, 2016.

“iPhone 5S/5 Case Slim Armor,” <http://www.spigen.com/products/iphone-5s-5-case-slim-armor-s?variant=1162051877>, Downloaded Jun. 13, 2016.

“SGP iPhone 4 Case Neo Hybrid Matte. Series Gun Metal”, <http://www.amazon.co.uk/dp/B004F1IQ7E>, Date first available at Amazon.co.uk of Dec. 3, 2010.

“SGP Neo Hybrid Matte Series Case for the iPhone 4”, <https://www.youtube.com/watch?v=fOH74451I-8>, Published on Sep. 22, 2010.

“Spigen Slim Armor iPhone SE / 5S / 5 Case with Advanced Drop Protection and Dual Layer Design for iPhone SE / iPhone 5S / iPhone 5—Metal Slate”, <https://www.amazon.com/Spigen-iPhone-Advanced-Protection-Design/dp/B00DD62R40>, Earliest review date of Dec. 14, 2012, Downloaded on Sep. 18, 2018.

Defendants’ Memorandum in Support of Their Motion for Summary Judgment, filed Oct. 29, 2018, in *Spigen Korea Co., LTD vs. Ultraproof, Inc. et al*, Case No. 2:17-cv-01161 in the United States District Court for the Central District of California.

Declaration of Benjamin A. Campbell in Support of Defendants’ Motion for Summary Judgment, filed Oct. 29, 2018, in *Spigen Korea Co., LTD vs. Ultraproof, Inc. et al*, Case No. 2:17-cv-01161 in the United States District Court for the Central District of California.

Declaration of Dae-Young Kim in Support of Plaintiff’s Opposition to Defendants’ Motion for Summary Judgment; Covenant Not to Sue Re: Certain Claims of ’283 Patent and ’099 Patent, filed Nov. 21, 2018, in *Spigen Korea Co., LTD vs. Ultraproof, Inc. et al*, Case No. 2:17-cv-01161 in the United States District Court for the Central District of California.

Plaintiff’s Opposition to Defendants’ Motion for Summary Judgment, filed Nov. 21, 2018, in *Spigen Korea Co., LTD vs. Ultraproof, Inc. et al*, Case No. 2:17-cv-01161 in the United States District Court for the Central District of California.

Defendants’ Reply in Support of Their Motion for Summary Judgment, filed Nov. 28, 2018, in *Spigen Korea Co., LTD vs. Ultraproof, Inc. et al*, Case No. 2:17-cv-01161 in the United States District Court for the Central District of California.

Order Granting Defendants’ Motion for Summary Judgment [175]; Denying Plaintiffs Motion for Summary Judgment [167]; and Denying Plaintiff’s Motion for Leave to File a Fourth Amended Complaint [172]., dated Dec. 12, 2018, in *Spigen Korea Co., LTD vs. Ultraproof, Inc. et al*, Case No. 2:17-cv-01161 in the United States District Court for the Central District of California.

Judgment, dated Dec. 20, 2018, in *Spigen Korea Co., LTD vs. Ultraproof, Inc. et al*, Case No. 2:17-cv-01161 in the United States District Court for the Central District of California.

Plaintiff Spigen Korea Co., Ltd.’s Notice of Appeal, filed Jan. 16, 2019, in *Spigen Korea Co., LTD vs. Ultraproof, Inc. et al*, Case No. 2:17-cv-01161 in the United States District Court for the Central District of California.

\* cited by examiner

FIG. 1

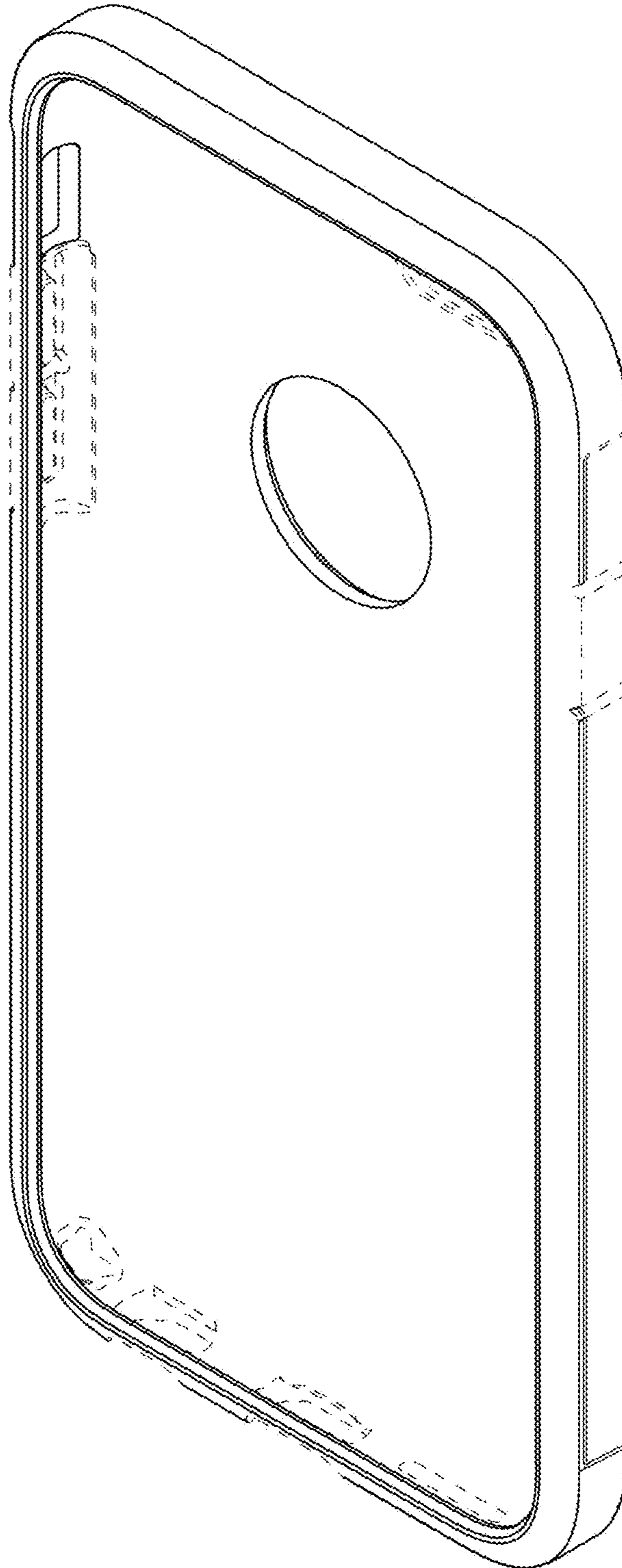


FIG. 2

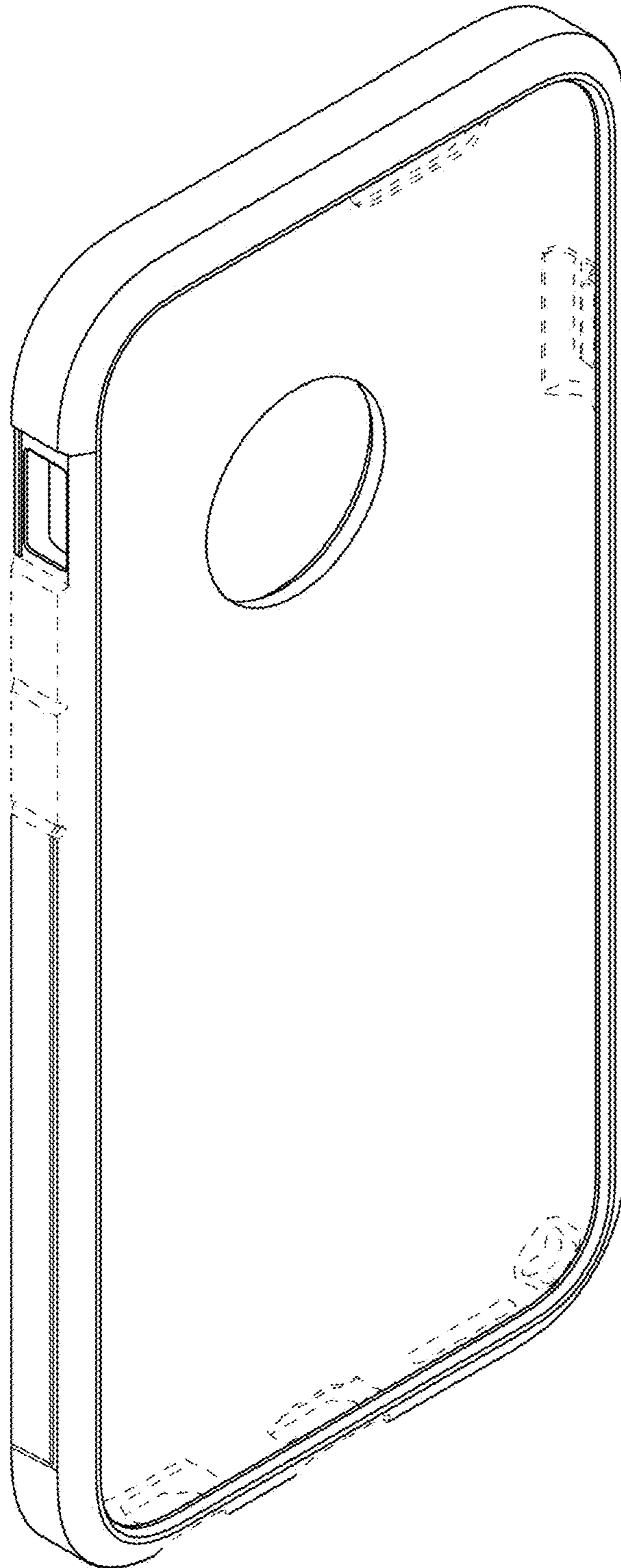


FIG. 3

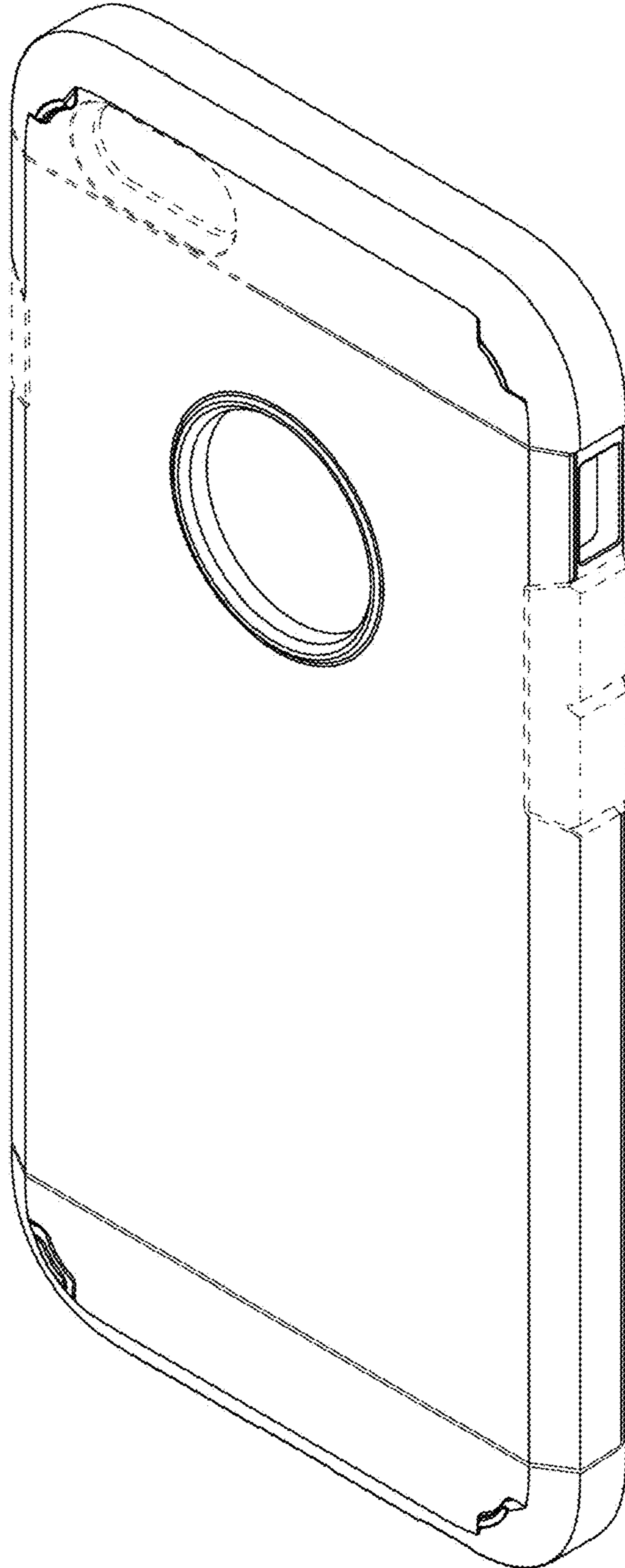


FIG. 4

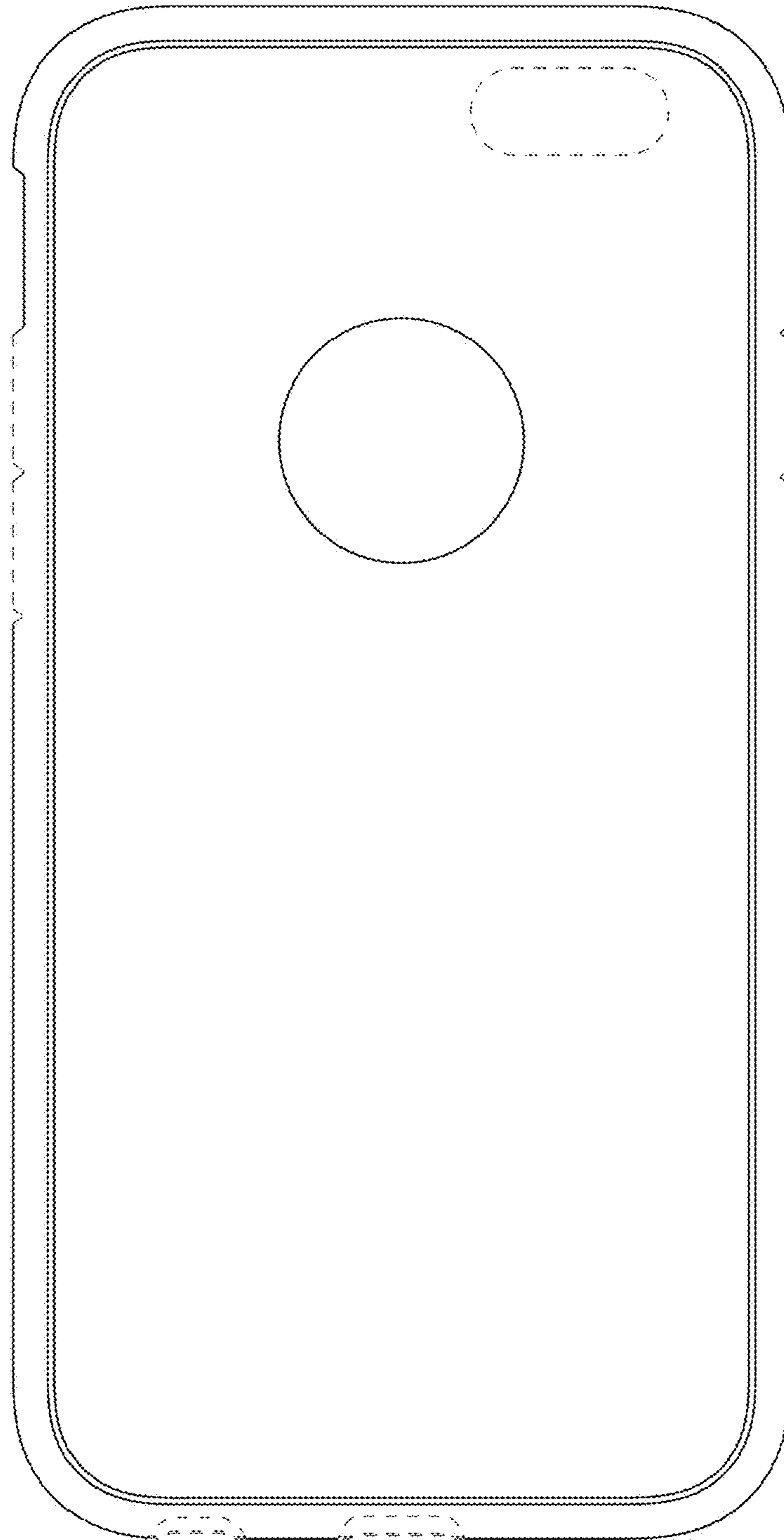


FIG. 5

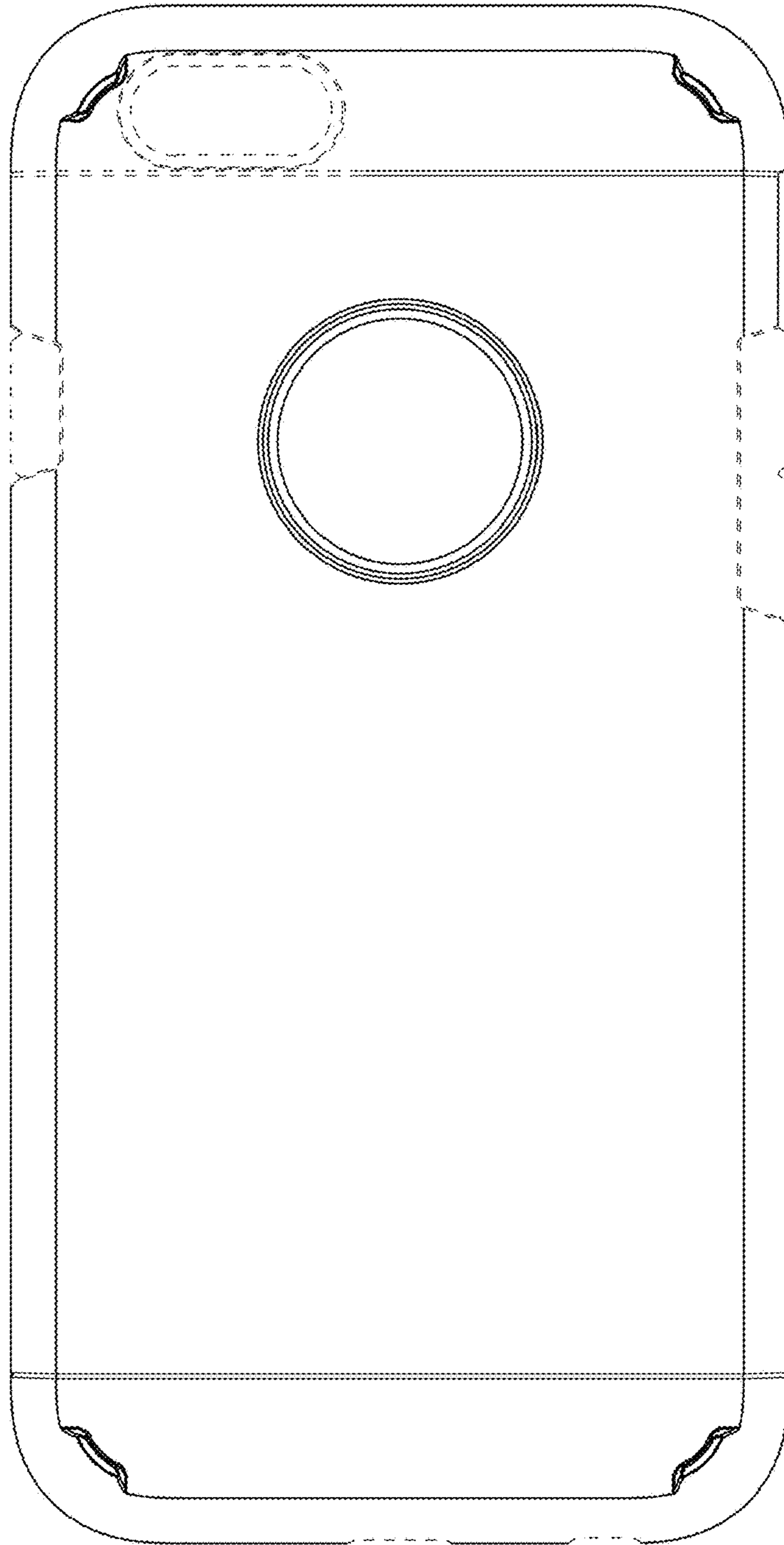


FIG. 6

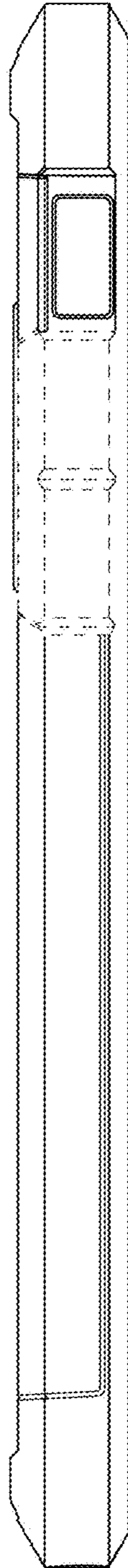




FIG. 7

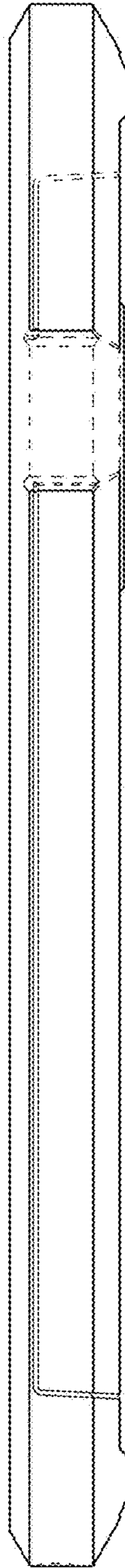


FIG. 8

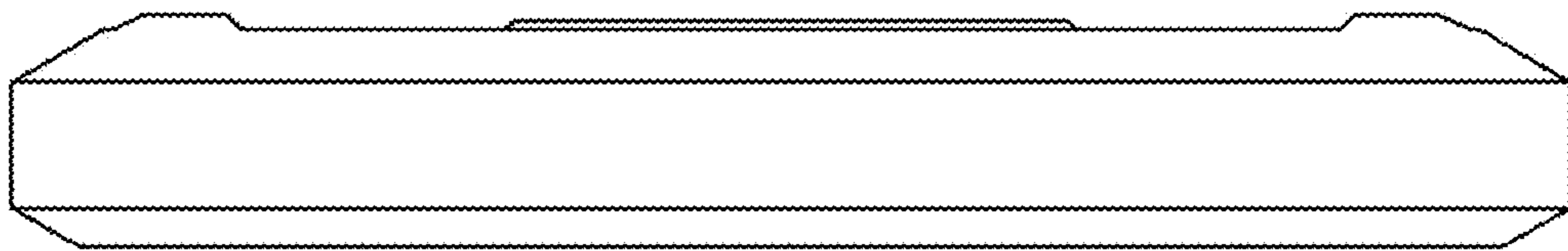


FIG. 9

