



US00D864930S

(12) **United States Design Patent** (10) **Patent No.:** **US D864,930 S**
Bould et al. (45) **Date of Patent:** **** Oct. 29, 2019**

(54) **WIRELESS REPEATER**

(71) Applicant: **Hunter Douglas, Inc.**, Pearl River, NY (US)

(72) Inventors: **Fred Bould**, Menlo Park, CA (US);
Jeremy Wolf, San Mateo, CA (US)

(73) Assignee: **Hunter Douglas Inc.**, Pearl River, NY (US)

(**) Term: **15 Years**

(21) Appl. No.: **29/684,816**

(22) Filed: **Mar. 25, 2019**

Related U.S. Application Data

(62) Division of application No. 29/593,099, filed on Feb. 6, 2017, now Pat. No. Des. 848,405.

(51) **LOC (12) Cl.** **14-03**

(52) **U.S. Cl.**
USPC **D14/240; D14/358**

(58) **Field of Classification Search**

USPC D14/356, 357, 358, 361, 362, 365, 367, D14/370, 388, 432, 434, 203.1, 203.6, D14/204, 240, 242, 299, 125, 129, 130, D14/140, 155, 168, 188, 195, 300, 302, D14/314, 348, 351, 496, 142, 230, 433; D13/103, 107, 108, 123, 152, 162, 162.1, D13/163, 168, 184, 199, 137.1, 137.2, D13/137.3, 139.1, 158, 110; D10/104.1, D10/106.6, 116.1, 61, 64, 75, 106.9; D22/119, 120; D23/355, 364, 366; D26/26, 72, 73, 32, 34, 366, 367
CPC ... H04W 88/08; H04W 88/085; H04W 88/00; H04W 88/005; H04W 88/02; H04W 88/12; H04W 88/14; H04W 88/16; H04W 88/18; H04W 4/00; H01Q 1/02; H01Q 1/2291; H01Q 1/246; H04B 1/38
See application file for complete search history.

(56) **References Cited**

U.S. PATENT DOCUMENTS

D327,690 S 7/1992 Ogawa et al.
D338,206 S 8/1993 Sawaguchi et al.
D343,015 S 1/1994 Yuen
(Continued)

FOREIGN PATENT DOCUMENTS

CN 205196004 U 4/2016
WO 2016057752 A1 4/2016

OTHER PUBLICATIONS

Tracy. "Smart Light Bulb + WiFi Repeater = Sengled Boost" Technology News—POC Network—Feb. 11, 2015.
(Continued)

Primary Examiner — Marie D. Fast Horse

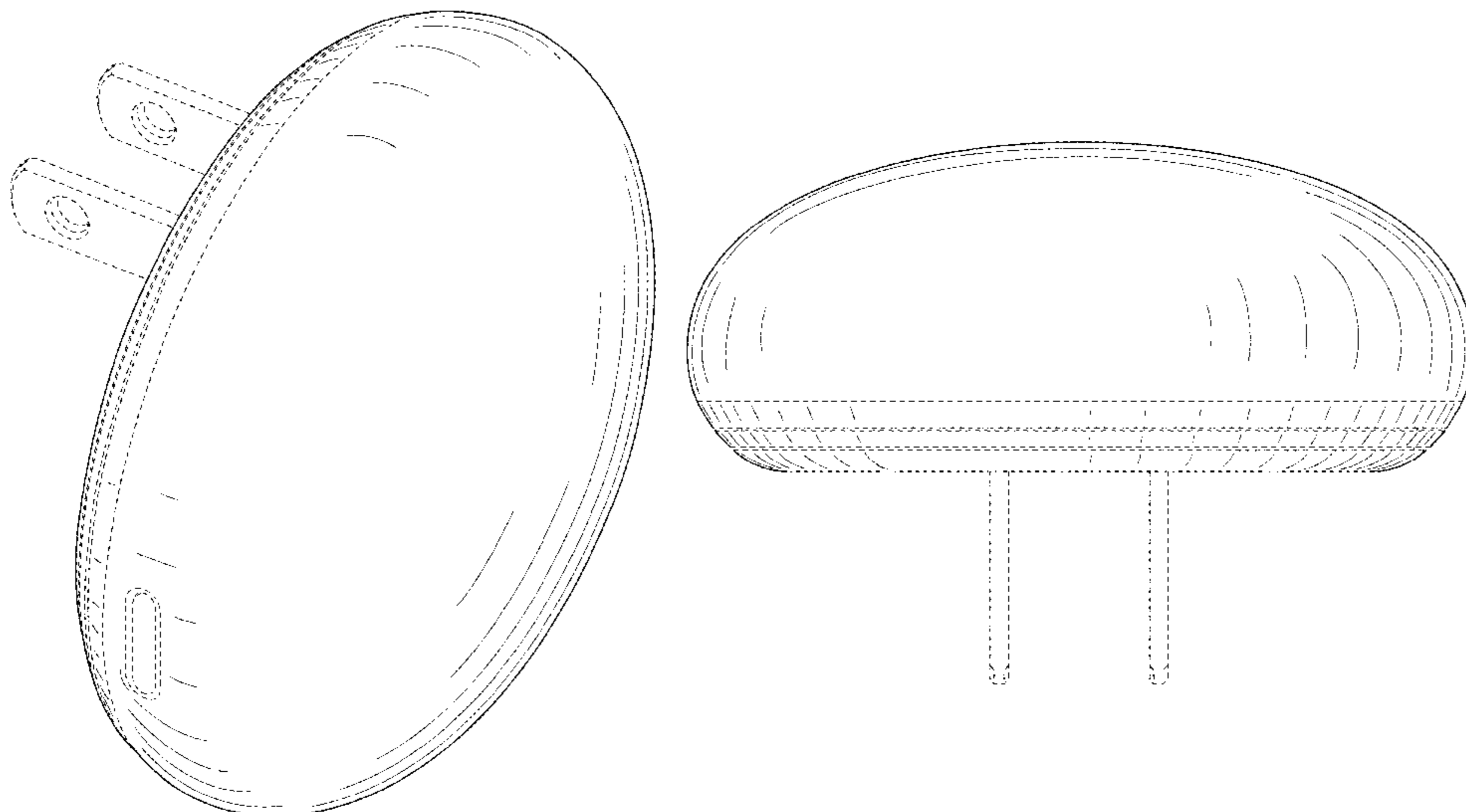
(57) **CLAIM**

The ornamental design for a wireless repeater, as shown and described.

DESCRIPTION

FIG. 1 is a front and left side perspective view of a wireless repeater showing our new design with features illustrated in broken lines for illustrative purposes and thus not constituting a part of the claimed design
FIG. 2 is a back and right perspective view thereof;
FIG. 3 is a left side elevation view thereof;
FIG. 4 is a right side elevation view thereof;
FIG. 5 is a front elevation view thereof;
FIG. 6 is a back plan view thereof;
FIG. 7 is a bottom elevation view thereof; and,
FIG. 8 is a top elevation view thereof.
The dashed lines in the drawings are environmental and for illustrative purposes only and form no part of the claimed design. The dot-dash lines illustrate boundaries and form no part of the claimed design.

1 Claim, 7 Drawing Sheets



(56)

References Cited

U.S. PATENT DOCUMENTS

D350,407 S 9/1994 Yuen
 D391,943 S 3/1998 Han
 D404,459 S 1/1999 Furner et al.
 5,905,442 A 5/1999 Mosebrook
 D425,221 S 5/2000 Burns
 D428,660 S 7/2000 Yuen
 D455,507 S 4/2002 Liu et al.
 D457,667 S 5/2002 Piepgras et al.
 D458,395 S 6/2002 Piepgras et al.
 D459,502 S 6/2002 Chen
 D459,503 S 6/2002 Chen
 D459,504 S 6/2002 Chen
 D460,202 S 7/2002 Stekelenburg
 D476,428 S 6/2003 Stekelenburg
 D488,166 S 4/2004 Daniels
 D506,404 S 6/2005 Kaczmarek
 D518,819 S 4/2006 Gray
 7,027,736 B1 4/2006 Mier-langer et al.
 D518,030 S 5/2006 Lin
 D523,569 S 6/2006 Funck
 D523,972 S 6/2006 Chan
 D524,458 S 7/2006 Chan
 D525,375 S 7/2006 Funck et al.
 7,079,808 B2 7/2006 Strimer
 7,162,258 B2 1/2007 Beach et al.
 7,199,701 B2 4/2007 Kates
 D574,095 S 7/2008 Hill et al.
 7,446,671 B2 11/2008 Giannopoulos et al.
 D585,580 S 1/2009 Riffel et al.
 D585,892 S 2/2009 Urban
 D595,734 S 7/2009 Son
 D601,282 S 9/2009 Howard
 7,605,548 B2 10/2009 Yamashita et al.
 D612,522 S 3/2010 Howard et al.
 D612,959 S 3/2010 Howard
 D637,306 S 5/2011 Feuerabend et al.
 D640,809 S 6/2011 Weiser
 7,983,613 B2 7/2011 Rappaport
 D643,412 S 8/2011 Brady et al.
 8,143,811 B2 3/2012 Shloush et al.
 D685,790 S 7/2013 Tang
 D692,171 S 10/2013 Randolph et al.
 D695,725 S 12/2013 Taeger
 D700,571 S 3/2014 Guccione et al.
 D712,572 S 9/2014 Dai
 8,825,020 B2 9/2014 Mozer et al.
 8,829,799 B2 9/2014 Recker et al.
 D714,742 S 10/2014 Chambers et al.
 8,891,961 B2 11/2014 Maeda et al.
 D731,334 S 1/2015 Fiedler et al.
 8,942,694 B2 1/2015 Woo
 D724,583 S 3/2015 Ge

D725,088 S 3/2015 Kwak et al.
 8,975,819 B2 3/2015 Lemmers
 D739,284 S 9/2015 Vu et al.
 9,167,408 B2 10/2015 Bucci
 D747,984 S 1/2016 Zhao et al.
 9,295,144 B2 3/2016 Bora et al.
 9,408,282 B1 8/2016 Springer
 D776,820 S 1/2017 Rouillac et al.
 D788,046 S 5/2017 Oksengendler et al.
 D790,460 S 6/2017 HibmaCronan et al.
 D790,461 S 6/2017 HibmaCronan et al.
 D791,700 S 7/2017 Loewen
 D795,853 S 8/2017 Ngo et al.
 D797,665 S 9/2017 Champaign et al.
 D798,490 S 9/2017 Haines et al.
 D800,653 S * 10/2017 Smiedt D13/107
 D805,040 S 12/2017 Oksengendler et al.
 D806,042 S 12/2017 Oksengendler et al.
 D806,711 S * 1/2018 Sakaguchi D14/388
 D809,116 S 1/2018 Jones et al.
 D809,456 S 2/2018 Miller et al.
 D810,970 S 2/2018 Thompson et al.
 D813,212 S 3/2018 Nangeroni et al.
 D813,852 S 3/2018 Ni
 D825,539 S 8/2018 Lu et al.
 D844,593 S * 4/2019 Bould D14/240
 D848,405 S * 5/2019 Bould D14/240
 2004/0203387 A1 10/2004 Grannan
 2009/0128262 A1 5/2009 Lee et al.
 2010/0194207 A1 8/2010 Graham
 2012/0286940 A1 11/2012 Carmen, Jr. et al.
 2013/0183042 A1 7/2013 Knapp
 2014/0070703 A1 3/2014 Chen et al.
 2014/0300293 A1 10/2014 Ruan et al.
 2014/0341585 A1 11/2014 Lee
 2015/0100173 A1 4/2015 Tubi et al.
 2015/0257091 A1 9/2015 Zur et al.
 2015/0332586 A1 11/2015 Hamm et al.
 2015/0351203 A1 12/2015 Shen et al.
 2015/0366039 A1 12/2015 Noori et al.
 2016/0073474 A1 3/2016 Van de Sluis et al.
 2016/0073479 A1 3/2016 Erchak et al.
 2016/0224036 A1 4/2016 Baker et al.
 2016/0132031 A1 5/2016 Kozura et al.

OTHER PUBLICATIONS

Author Unknown. "Product Introduction: Homeseer HSM200 Z-Wave Multisensor/Night Light/Indicator Module" Homeseer—Oct. 28, 2014.

Author Unknown. Product Data Sheet: 3SeriesNightLightRepeater—Centralite 2016.

* cited by examiner

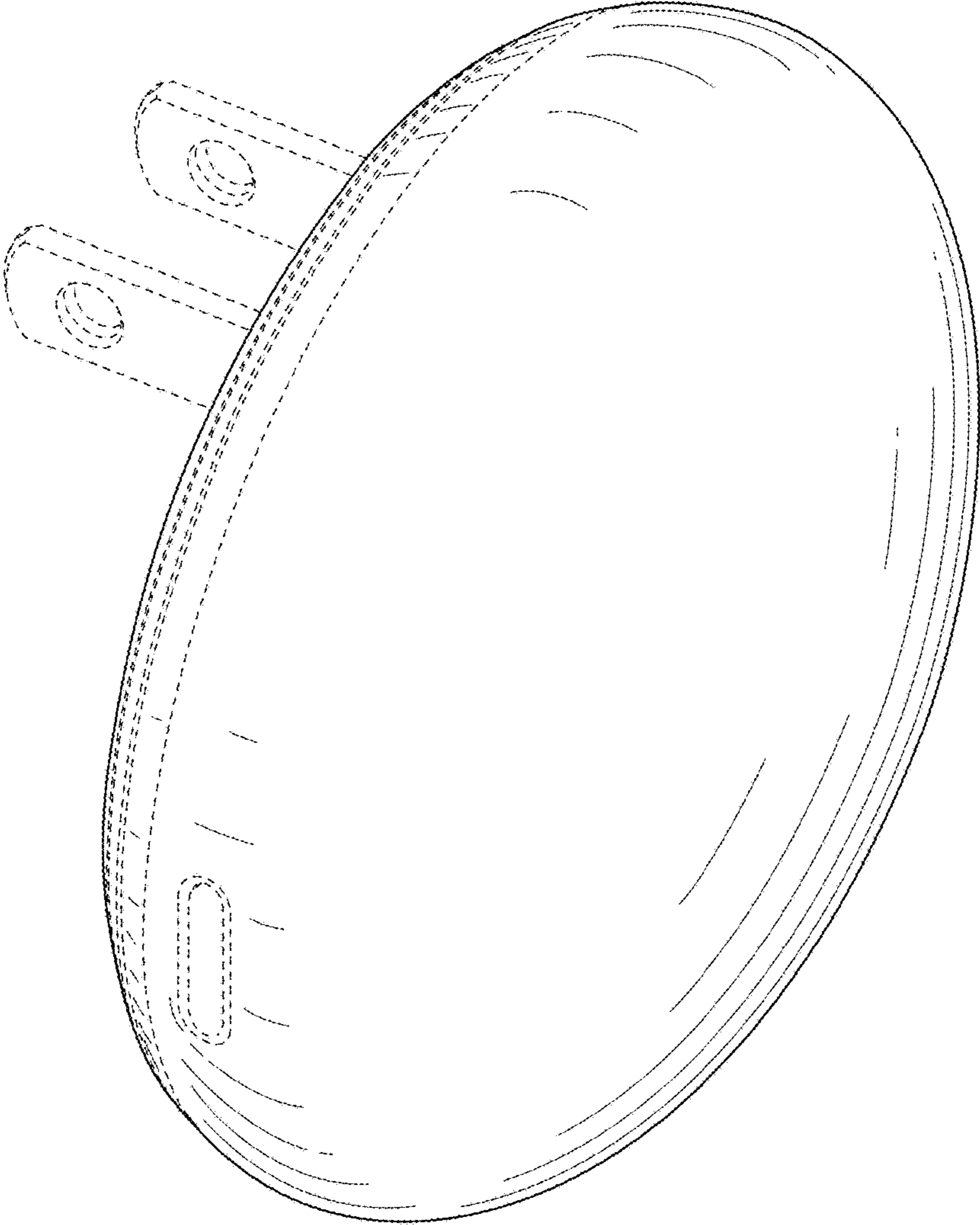


FIG. 1

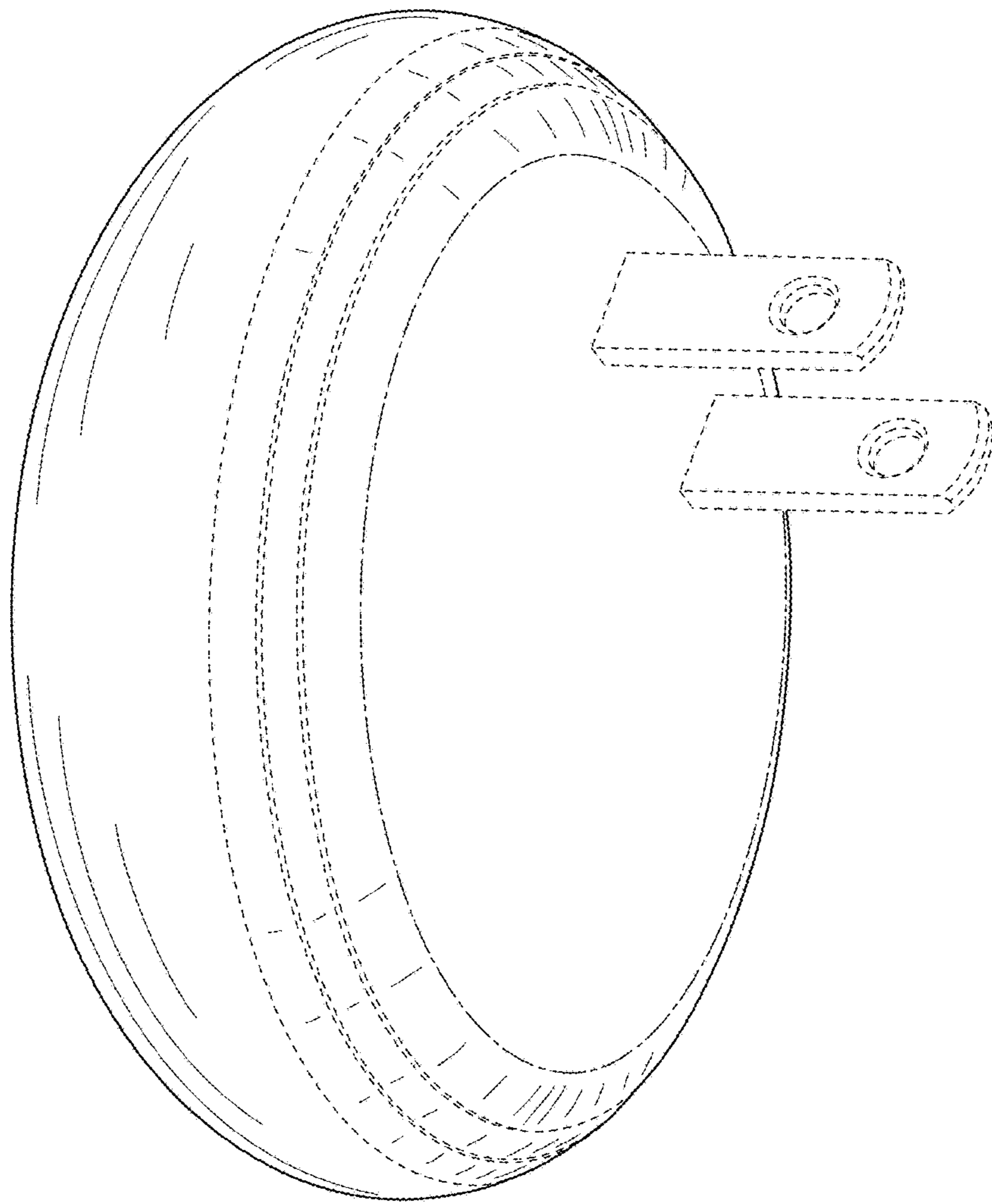


FIG. 2

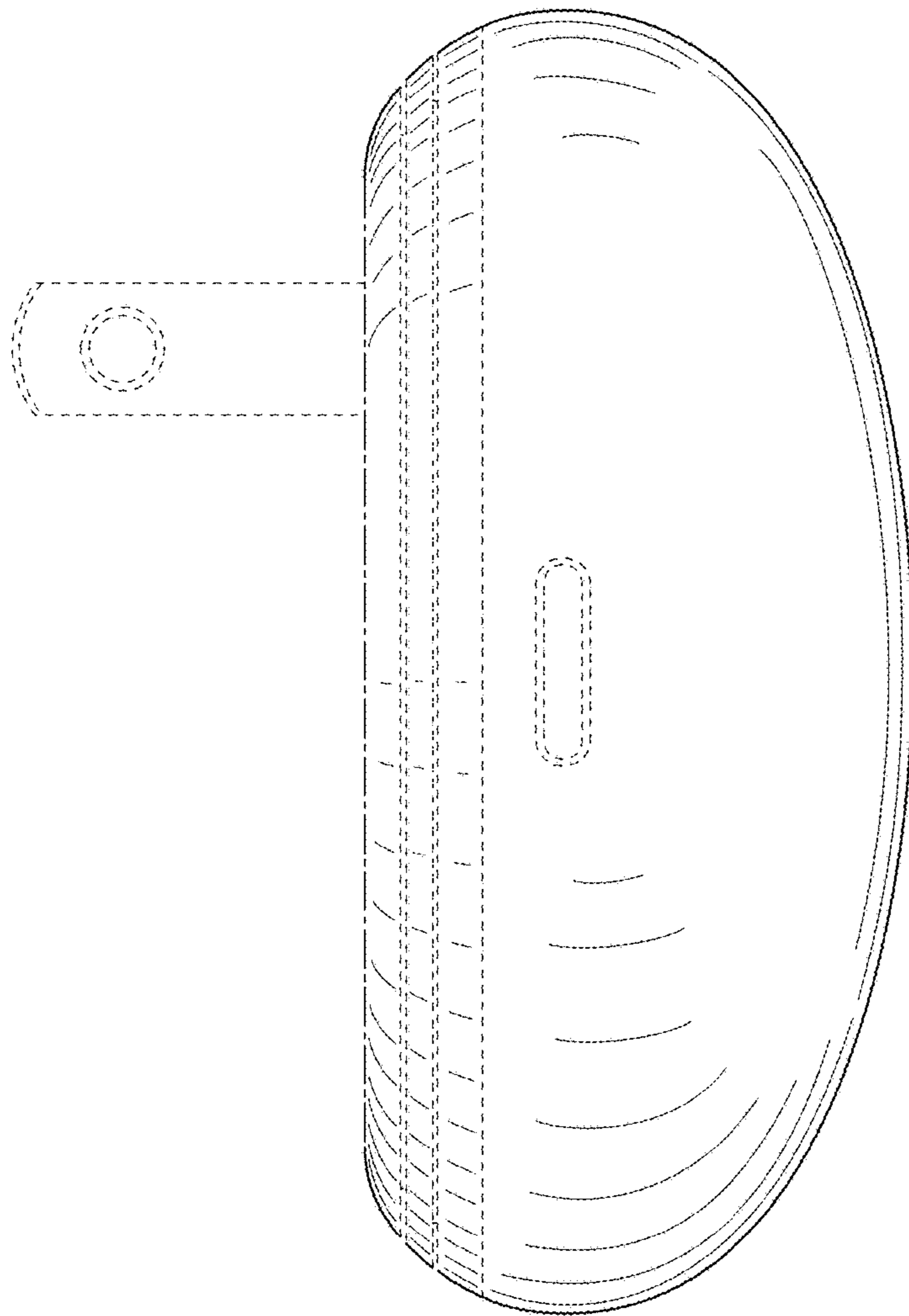


FIG. 3

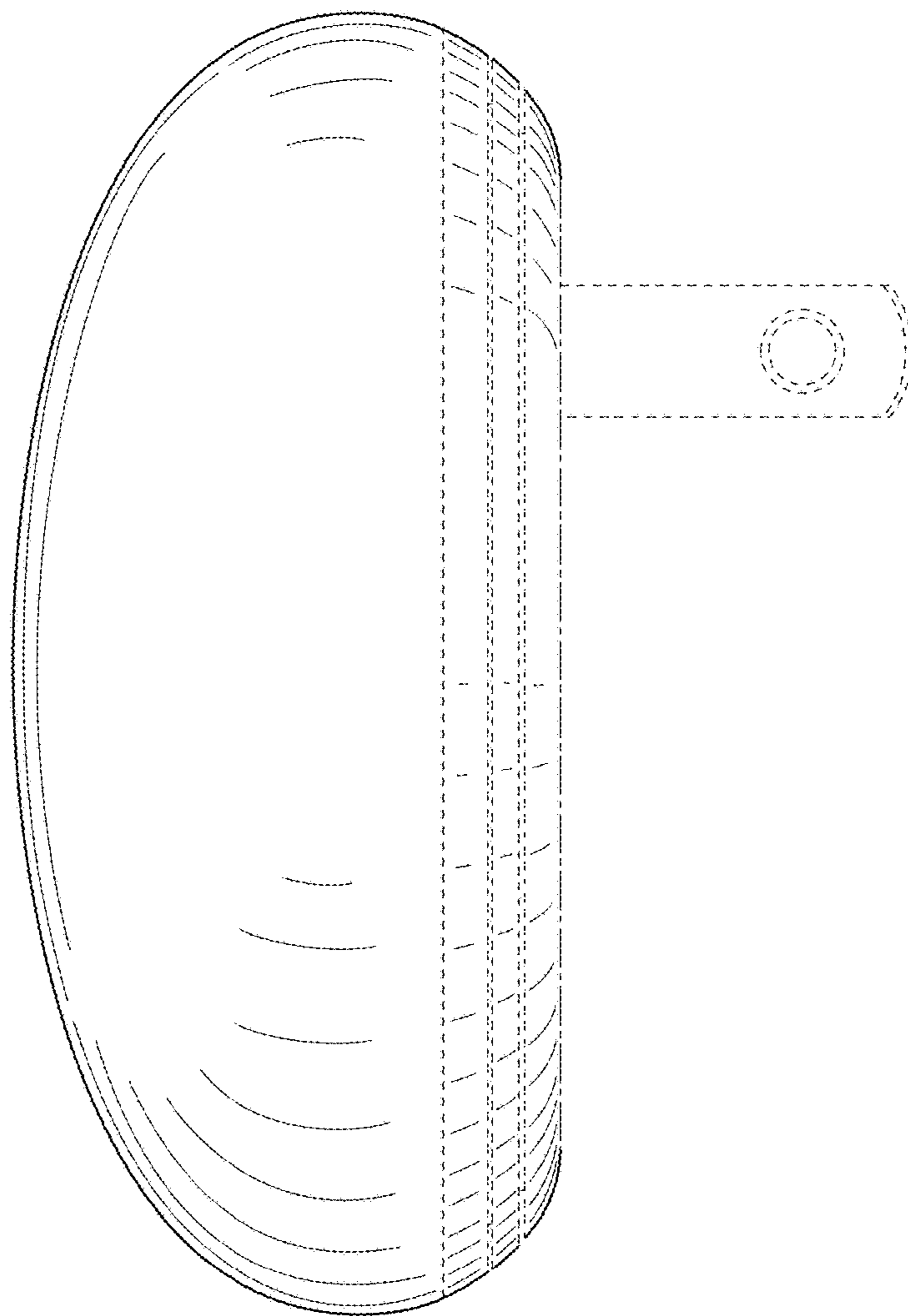


FIG. 4

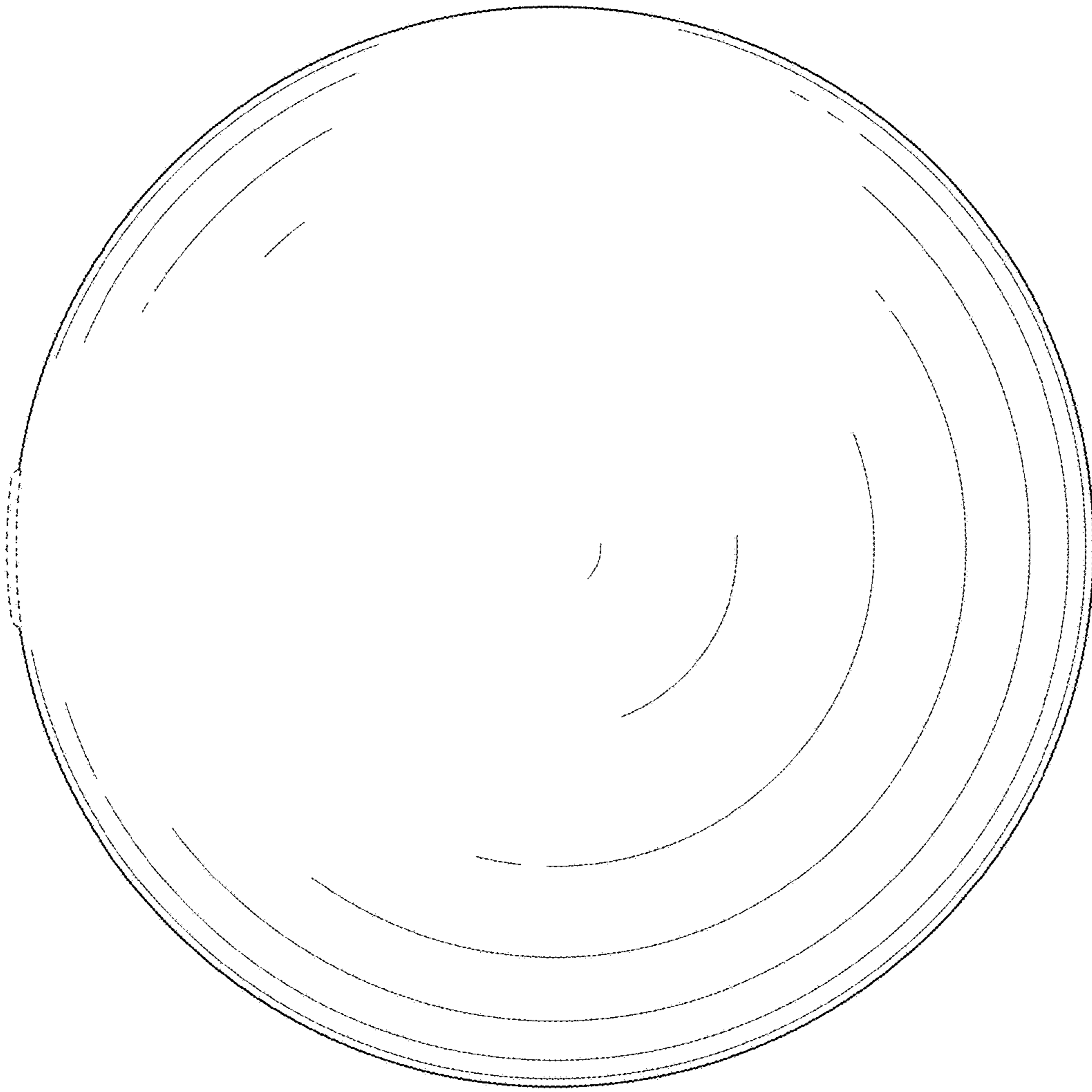


FIG. 5

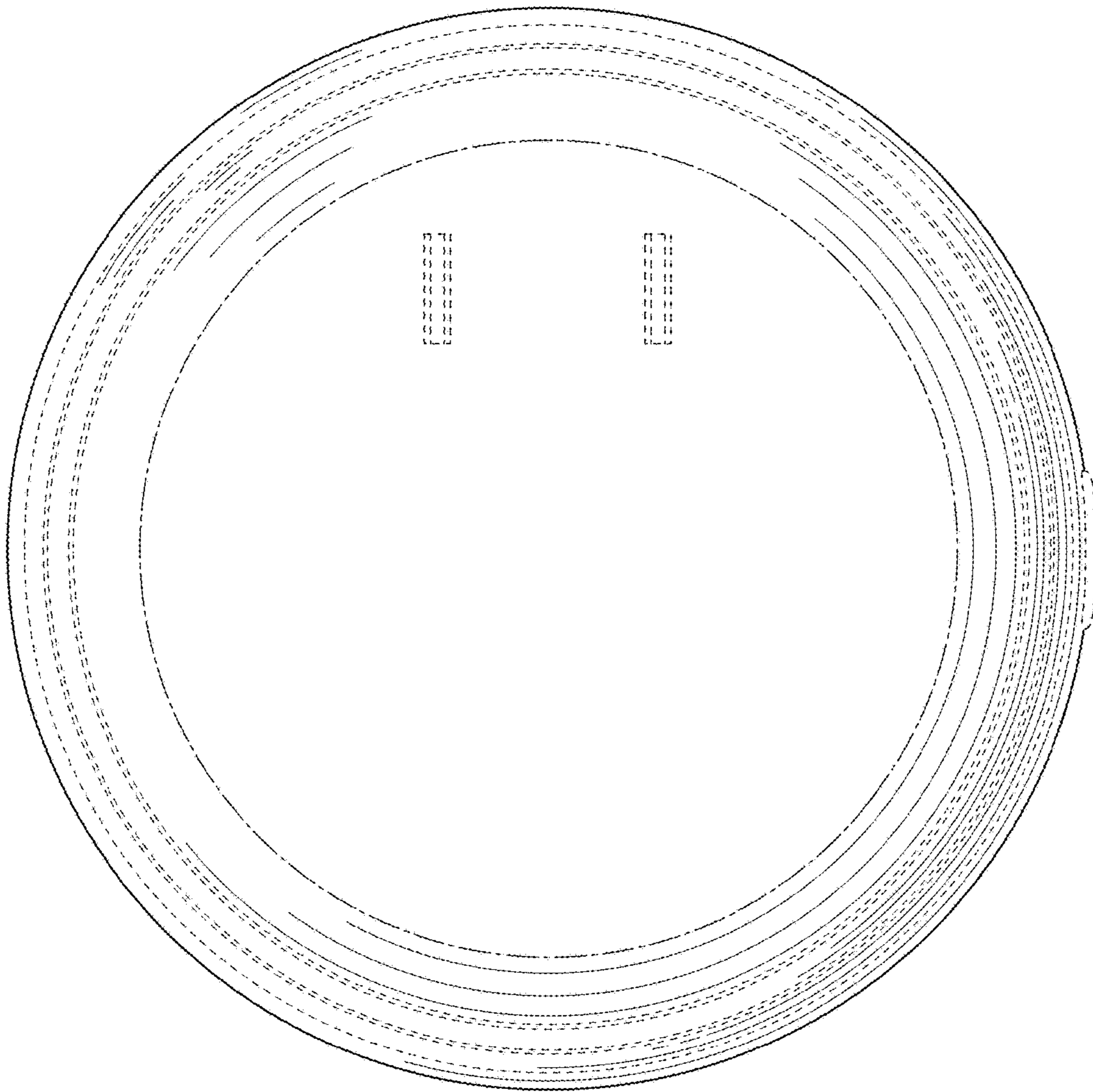


FIG. 6

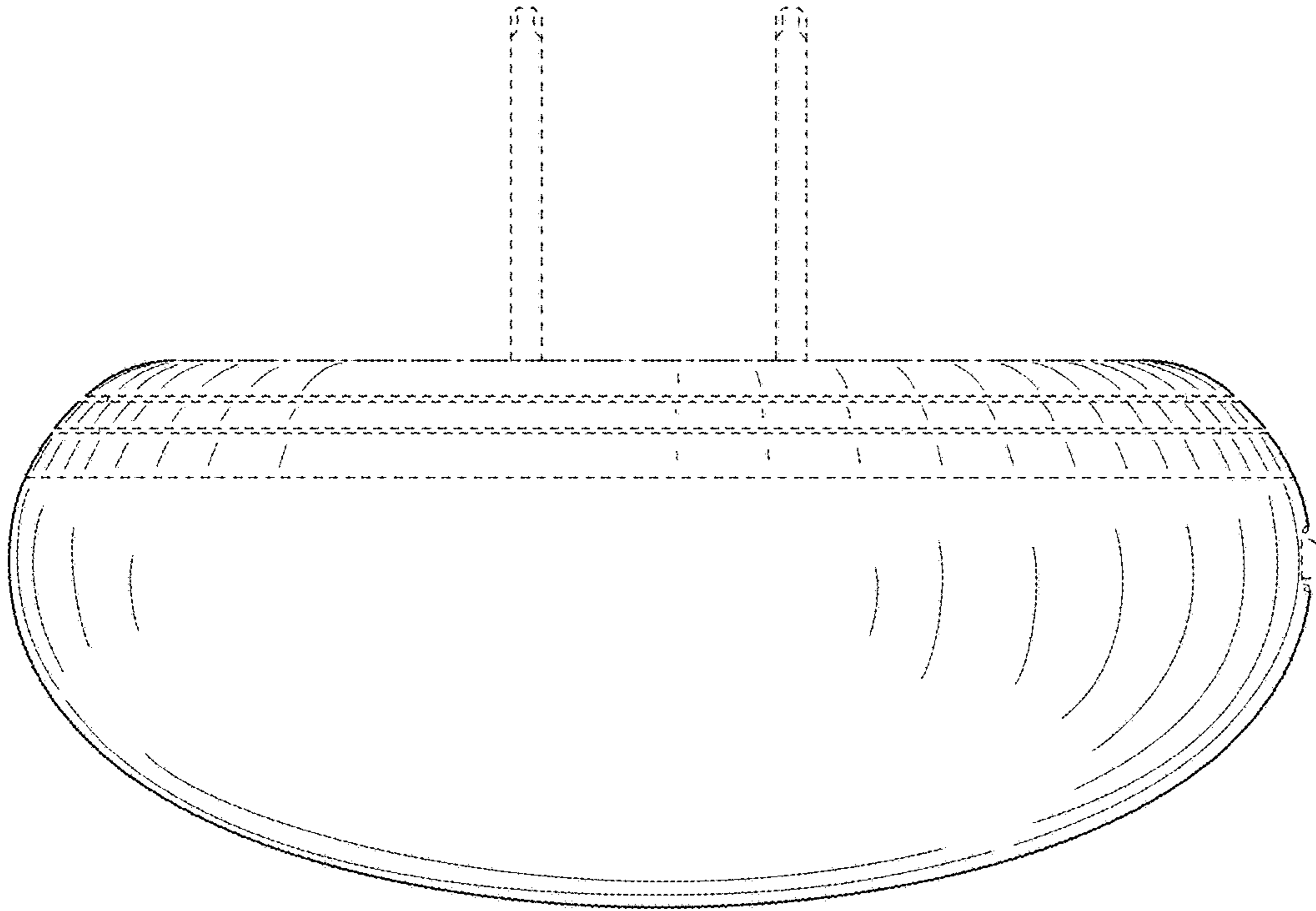


FIG. 7

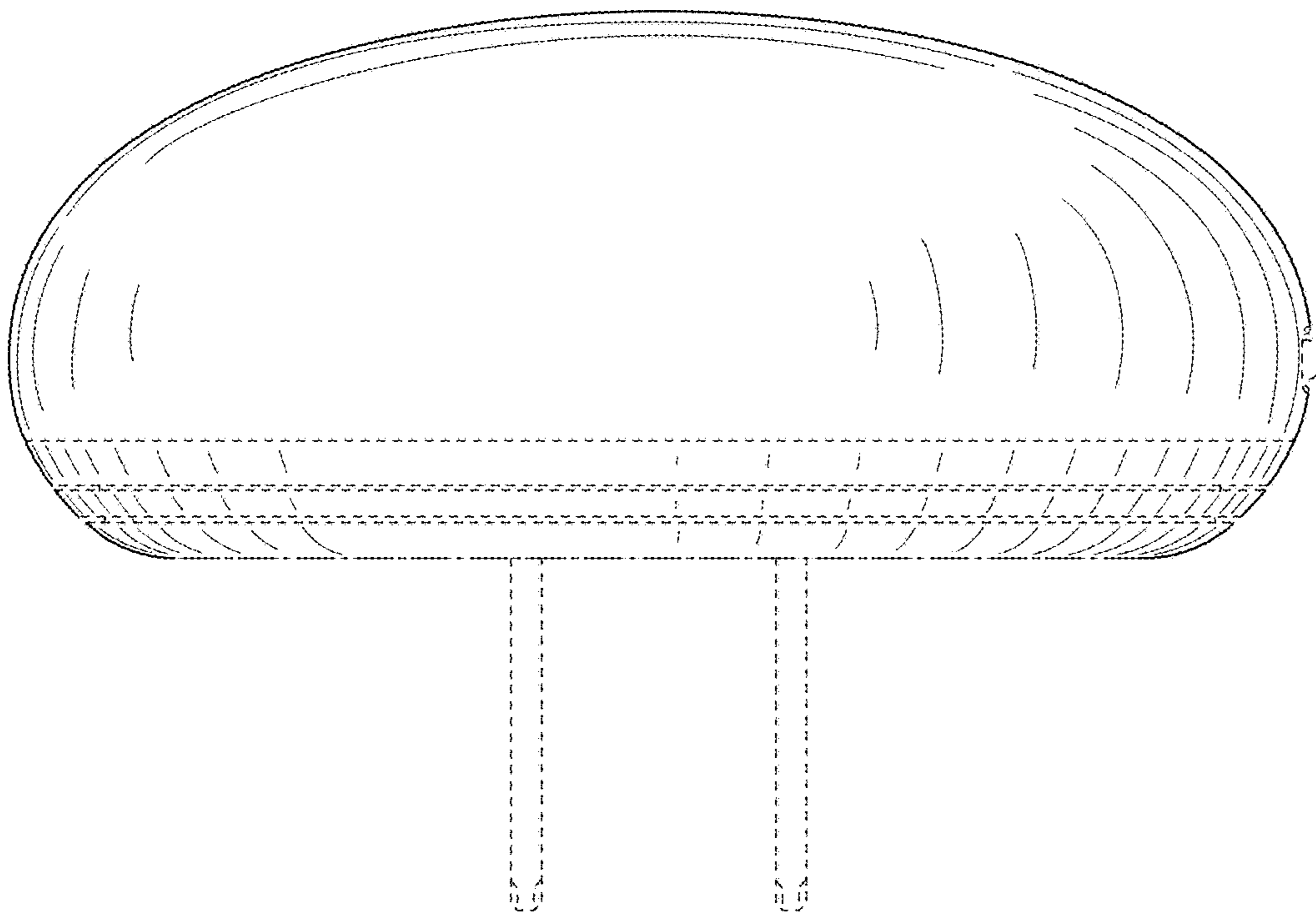


FIG. 8