



US00D864929S

(12) **United States Design Patent**  
**Laurans et al.**

(10) **Patent No.:** **US D864,929 S**

(45) **Date of Patent:** **\*\* Oct. 29, 2019**

(54) **BASE STATION HOUSING**

(71) Applicant: **SimpliSafe, Inc.**, Boston, MA (US)

(72) Inventors: **Chad Laurans**, Brookline, MA (US);  
**Melina Engel**, Belmont, MA (US);  
**Yong Zhao**, Medford, MA (US); **Jason Robinson**, Tewksbury, MA (US);  
**Gregory Wolos**, Cambridge, MA (US);  
**Ian Schon**, Brookline, MA (US); **Dirk Ahlgrim**, Boston, MA (US)

(73) Assignee: **SimpliSafe, Inc.**, Boston, MA (US)

(\*\*) Term: **15 Years**

(21) Appl. No.: **29/629,725**

(22) Filed: **Dec. 15, 2017**

(51) **LOC (12) Cl.** ..... **14-03**

(52) **U.S. Cl.**

USPC ..... **D14/240**; D14/358; D14/496; D10/104.1

(58) **Field of Classification Search**

USPC ..... D14/356, 357, 358, 432, 216, 240, 242,  
D14/299, 125, 140, 140.1, 155, 168, 188,  
D14/195, 300, 302, 314, 348, 351, 388,  
D14/496, 142, 203.1, 204, 228, 230;  
D10/104.1, 106.1, 106.3, 106.5, 106.6,  
D10/116.1, 6.9, 121

CPC ... H04W 88/08; H04W 88/085; H04W 88/00;  
H04W 88/005; H04W 88/02; H04W  
88/12; H04W 88/14; H04W 88/16; H04W  
88/18; H04W 4/00; H04M 2250/12;  
H04B 1/38

See application file for complete search history.

(56) **References Cited**

**U.S. PATENT DOCUMENTS**

D211,137 S \* 5/1968 Kahn ..... D10/114.6  
D497,318 S \* 10/2004 Strand ..... D10/104.1

|              |         |           |       |         |
|--------------|---------|-----------|-------|---------|
| D537,073 S * | 2/2007  | Peersman  | ..... | D14/216 |
| D543,458 S * | 5/2007  | Dittmer   | ..... | D9/504  |
| D548,084 S * | 8/2007  | Dittmer   | ..... | D9/504  |
| D567,090 S * | 4/2008  | Swint     | ..... | D9/504  |
| D616,425 S * | 5/2010  | Hsia      | ..... | D14/240 |
| D619,894 S * | 7/2010  | Ashiwa    | ..... | D9/504  |
| D651,900 S * | 1/2012  | Ashiwa    | ..... | D9/504  |
| D660,711 S * | 5/2012  | Watabe    | ..... | D9/529  |
| D662,122 S * | 6/2012  | Goodwin   | ..... | D16/208 |
| D689,846 S * | 9/2013  | Nylen     | ..... | D14/216 |
| D691,587 S * | 10/2013 | Ferber    | ..... | D14/216 |
| D696,761 S * | 12/2013 | Jorgensen | ..... | D23/366 |
| D719,448 S * | 12/2014 | Pires     | ..... | D9/504  |
| D723,481 S * | 3/2015  | Park      | ..... | D14/125 |
| D723,514 S * | 3/2015  | Lukic     | ..... | D14/216 |
| D729,772 S * | 5/2015  | Ferber    | ..... | D14/216 |
| D731,465 S * | 6/2015  | Khubani   | ..... | D14/216 |

(Continued)

*Primary Examiner* — Marie D. Fast Horse

(74) *Attorney, Agent, or Firm* — Wolf, Greenfield & Sacks, P.C.

(57) **CLAIM**

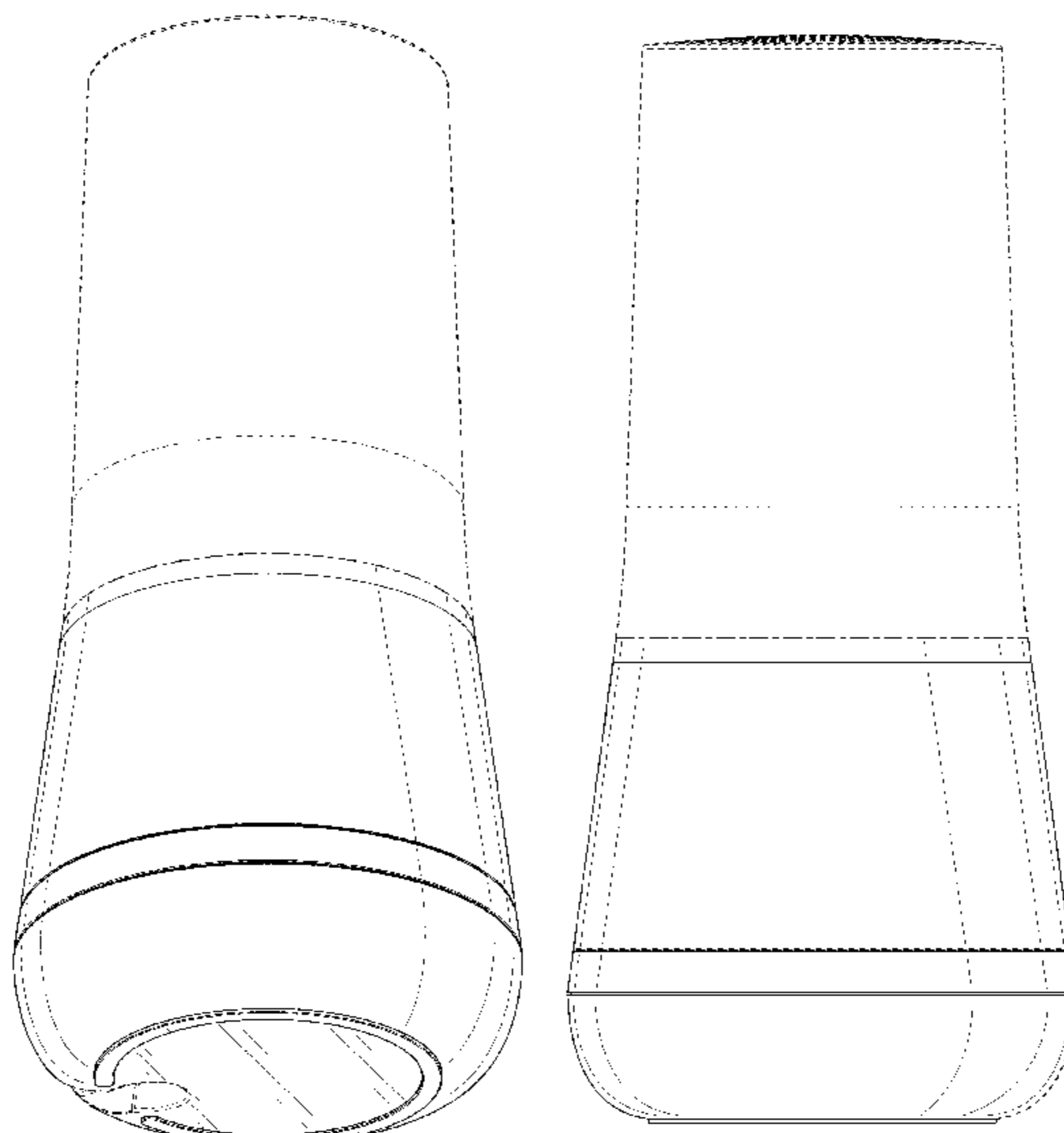
The ornamental design for a base station housing, as shown and described.

**DESCRIPTION**

FIG. 1 is an upper front right perspective view of a base station housing showing our new design;  
FIG. 2 is a lower front right perspective view thereof;  
FIG. 3 is a front view thereof;  
FIG. 4 is a right side view thereof;  
FIG. 5 is a left side view thereof;  
FIG. 6 is a rear view thereof;  
FIG. 7 is a top view; and,  
FIG. 8 is a bottom view thereof.

The broken lines consisting of unevenly sized dashes define the boundary of the claim, which extends to the boundary but does not include the boundary, while all other broken lines depict portions of the base station housing that form no part of the claimed design.

**1 Claim, 8 Drawing Sheets**



(56)

References Cited

U.S. PATENT DOCUMENTS

|              |         |             |           |              |         |           |           |
|--------------|---------|-------------|-----------|--------------|---------|-----------|-----------|
| D732,653 S * | 6/2015  | Hsiao       | D23/366   | D811,367 S * | 2/2018  | Vaclavik  | D14/216   |
| D734,679 S * | 7/2015  | Liu         | D10/53    | D813,210 S * | 3/2018  | Benedetti | D14/230   |
| D735,039 S * | 7/2015  | Pires       | D9/504    | D815,150 S * | 4/2018  | Hu        | D14/496   |
| D735,163 S * | 7/2015  | Valeur      | D14/216   | D821,238 S * | 6/2018  | Elmieh    | D10/101   |
| D744,883 S * | 12/2015 | Roberts     | D10/104.1 | D822,716 S * | 7/2018  | Mangum    | D14/496   |
| D747,417 S * | 1/2016  | Cho         | D21/324   | D828,323 S * | 9/2018  | Demin     | D14/216   |
| D752,023 S * | 3/2016  | Lee         | D14/216   | D828,527 S * | 9/2018  | Xu        | D23/356   |
| D767,535 S * | 9/2016  | Koo         | D14/214   | D829,689 S * | 10/2018 | Kim       | D14/216   |
| D770,534 S * | 11/2016 | Thissen     | D14/496   | D830,869 S * | 10/2018 | Siminoff  | D10/106.1 |
| D772,391 S * | 11/2016 | Zimmerli    | D23/366   | D831,595 S * | 10/2018 | Mittleman | D13/183   |
| D781,798 S * | 3/2017  | Klepper     | D14/125   | D831,624 S * | 10/2018 | Kwon      | D14/240   |
| D786,829 S * | 5/2017  | Wang        | D14/204   | D835,071 S * | 12/2018 | Channey   | D14/496   |
| D788,768 S * | 6/2017  | Hsieh       | D14/315   | D835,600 S * | 12/2018 | Weiss     | D14/204   |
| D792,468 S * | 7/2017  | Langhammer  | D14/203.3 | D836,086 S * | 12/2018 | Yu        | D14/216   |
| D797,087 S * | 9/2017  | Burton      | D14/242   | D838,273 S * | 1/2019  | Memke     | D14/426   |
| D803,190 S * | 11/2017 | Lee         | D14/216   | D838,690 S * | 1/2019  | Cheon     | D14/216   |
| D803,810 S * | 11/2017 | Lee         | D14/216   | D840,013 S * | 2/2019  | Zhang     | D23/366   |
| D805,925 S * | 12/2017 | Wimberly    | D10/53    | D840,436 S * | 2/2019  | Demin     | D14/496   |
| D808,921 S * | 1/2018  | Nishizawa   | D14/188   | D843,418 S * | 3/2019  | Demin     | D14/496   |
| D808,927 S * | 1/2018  | Schaal      | D14/216   | D843,419 S * | 3/2019  | Vaclavik  | D14/496   |
| D808,928 S * | 1/2018  | Schaal      | D14/216   | D843,980 S * | 3/2019  | Yang      | D14/230   |
| D809,493 S * | 2/2018  | Konotopskyi | D14/242   | D845,936 S * | 4/2019  | Benedetti | D14/230   |
| D810,280 S * | 2/2018  | Tharp       | D24/112   | D846,598 S * | 4/2019  | Wang      | D14/358   |
|              |         |             |           | D848,292 S * | 5/2019  | Laurans   | D10/106.6 |
|              |         |             |           | D848,394 S * | 5/2019  | Demin     | D14/204   |

\* cited by examiner

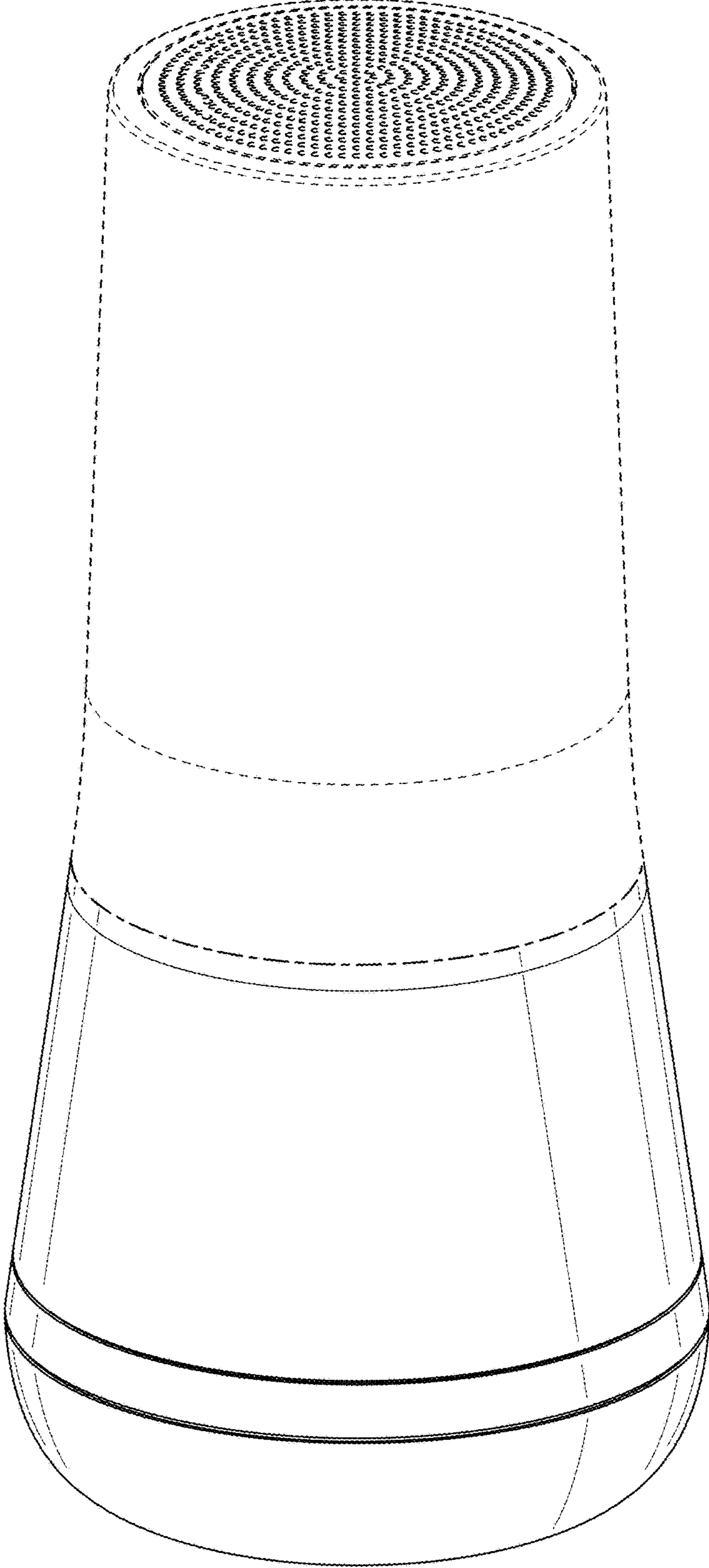


FIG. 1

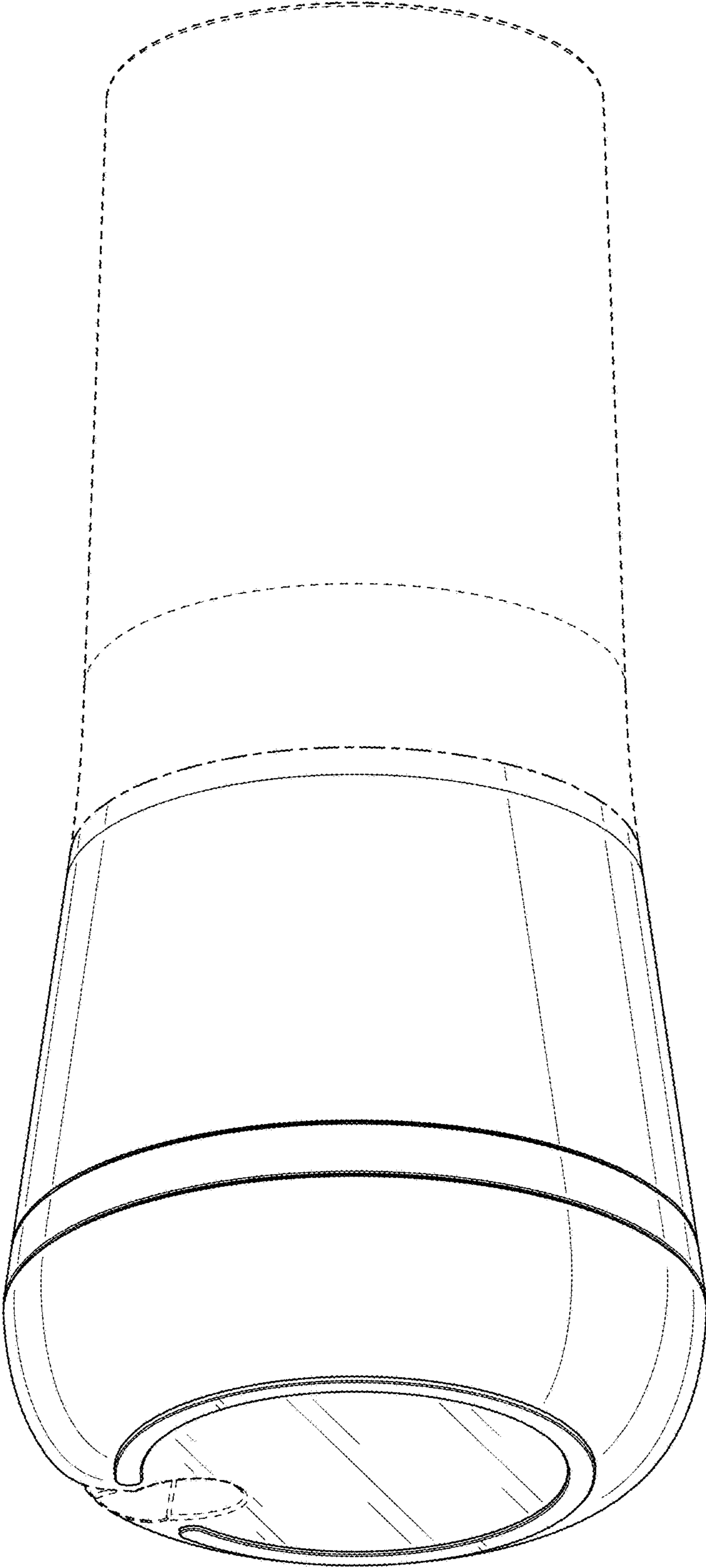


FIG. 2

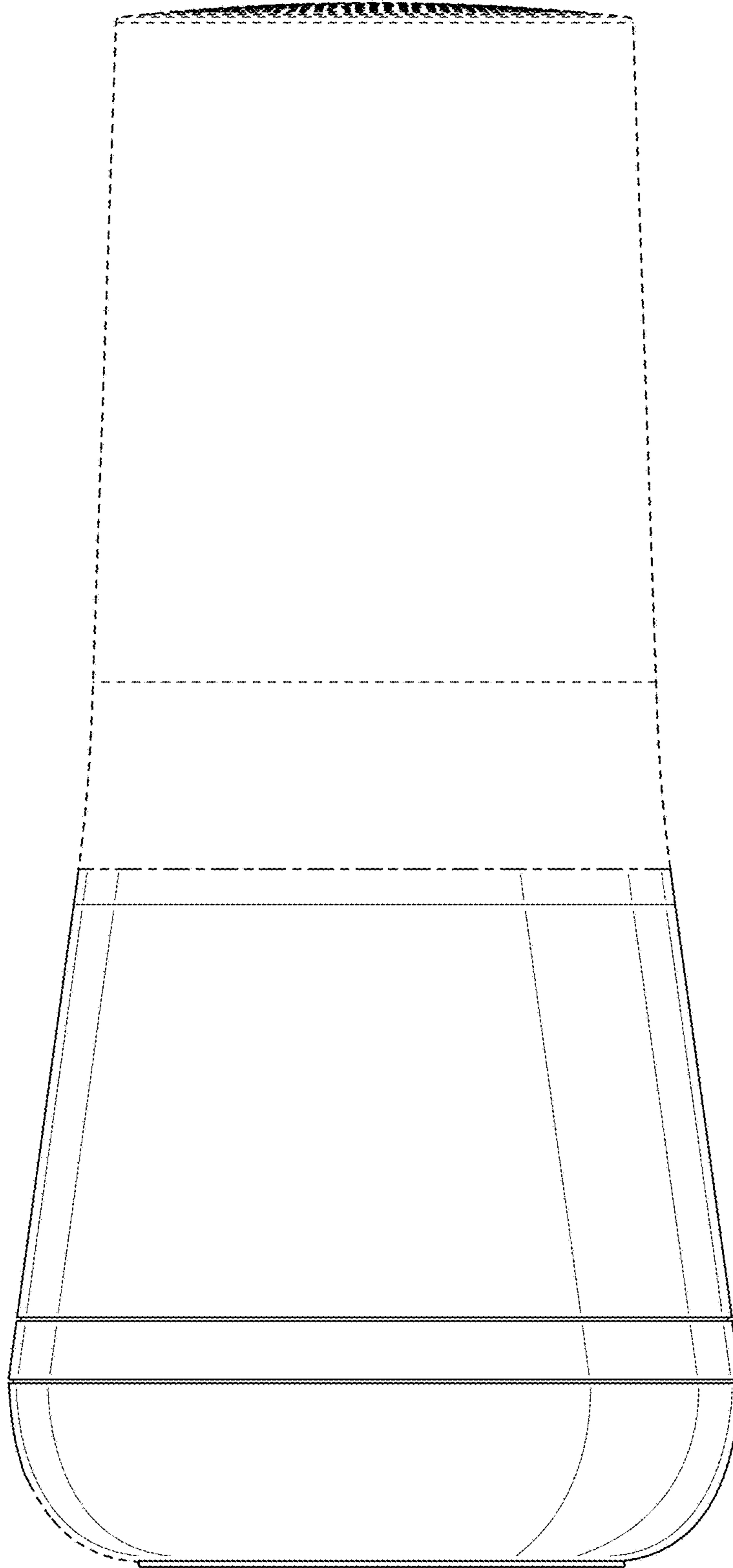


FIG. 3

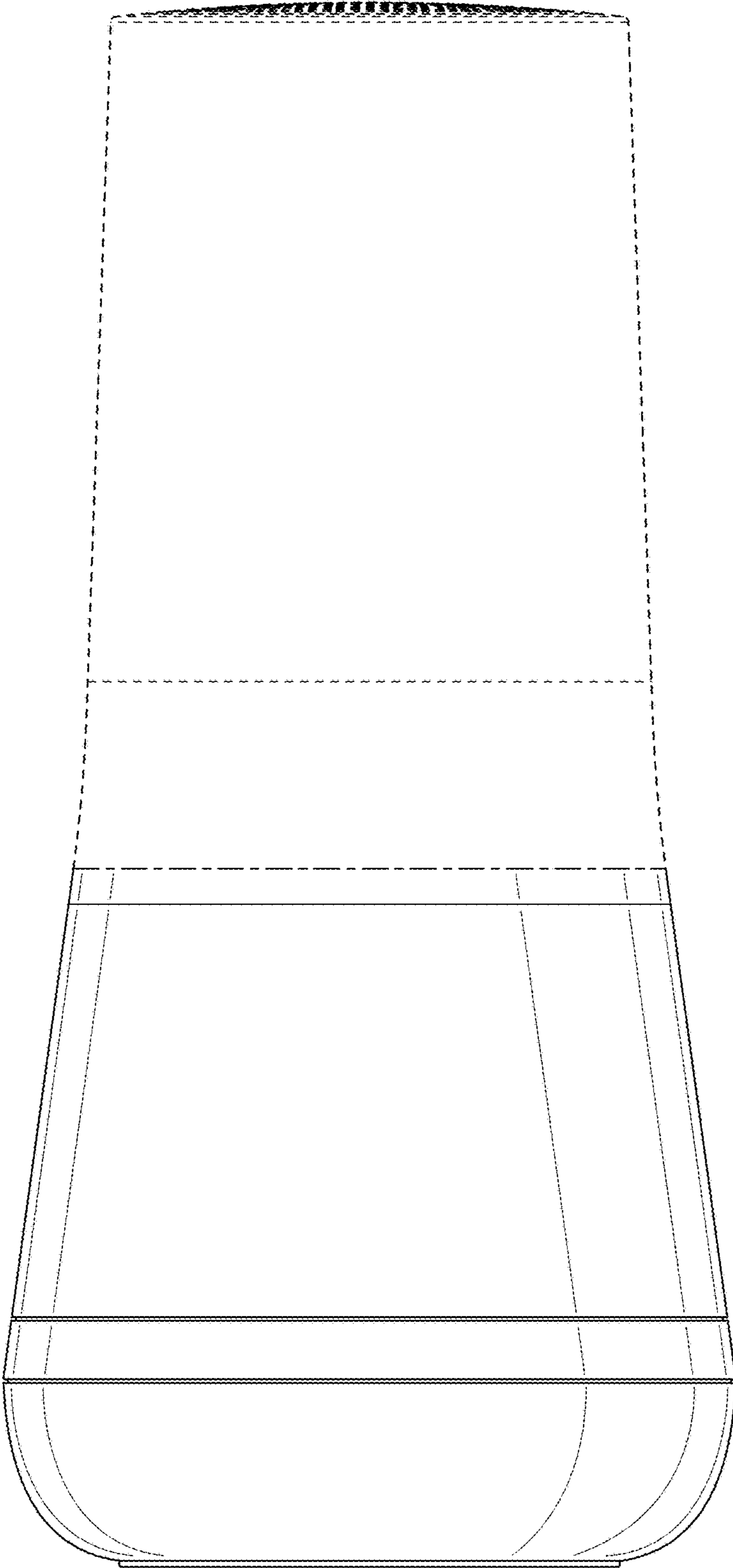


FIG. 4

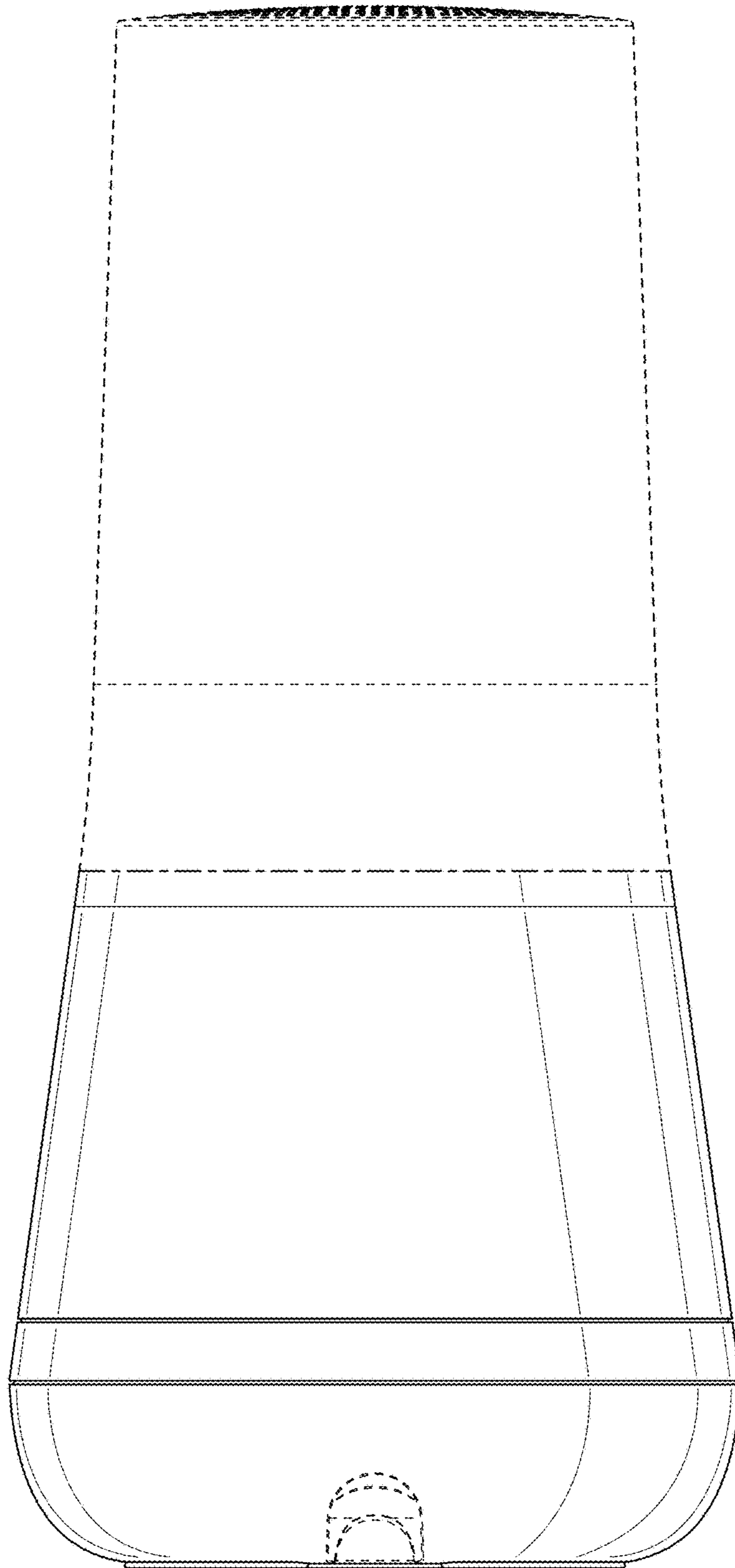


FIG. 5

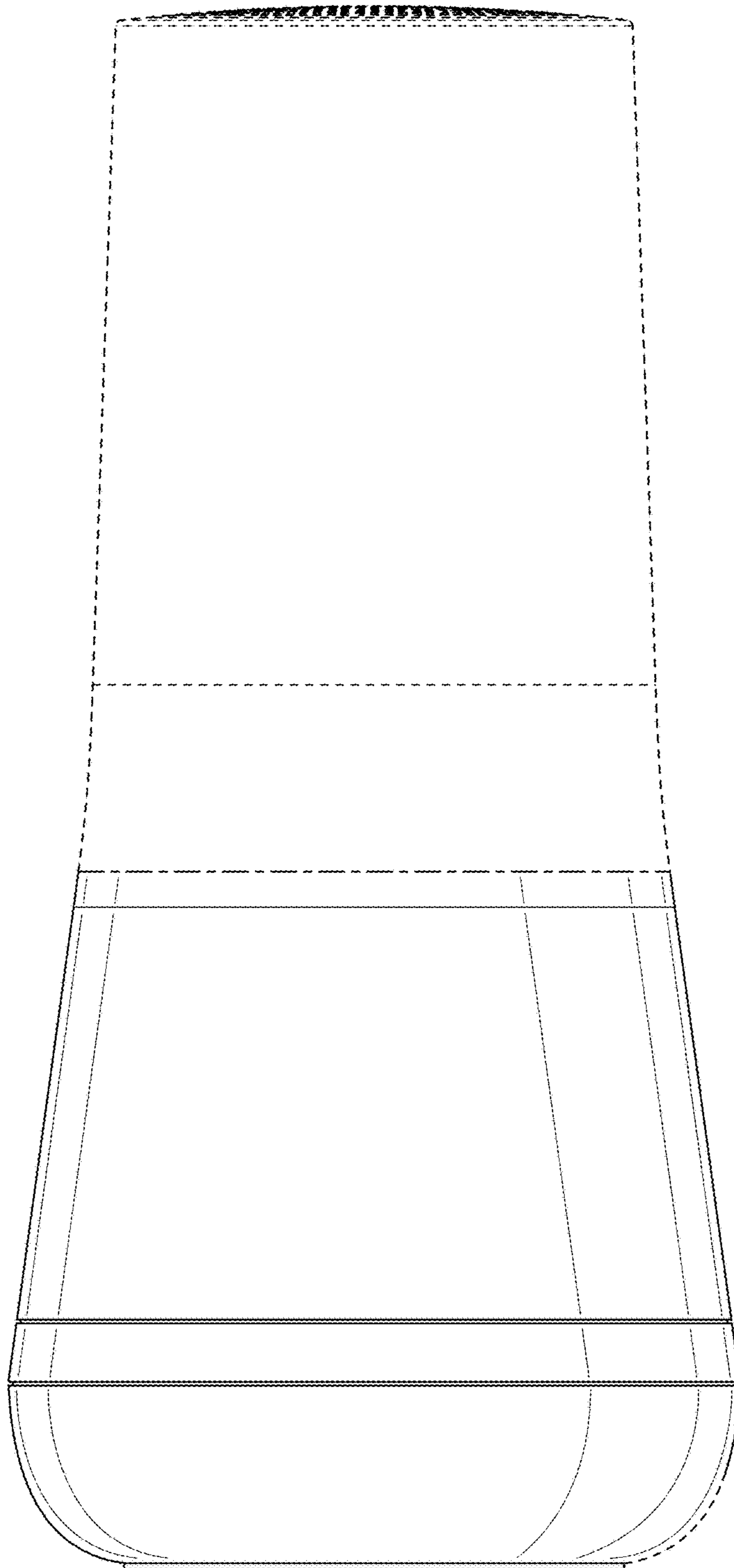


FIG. 6



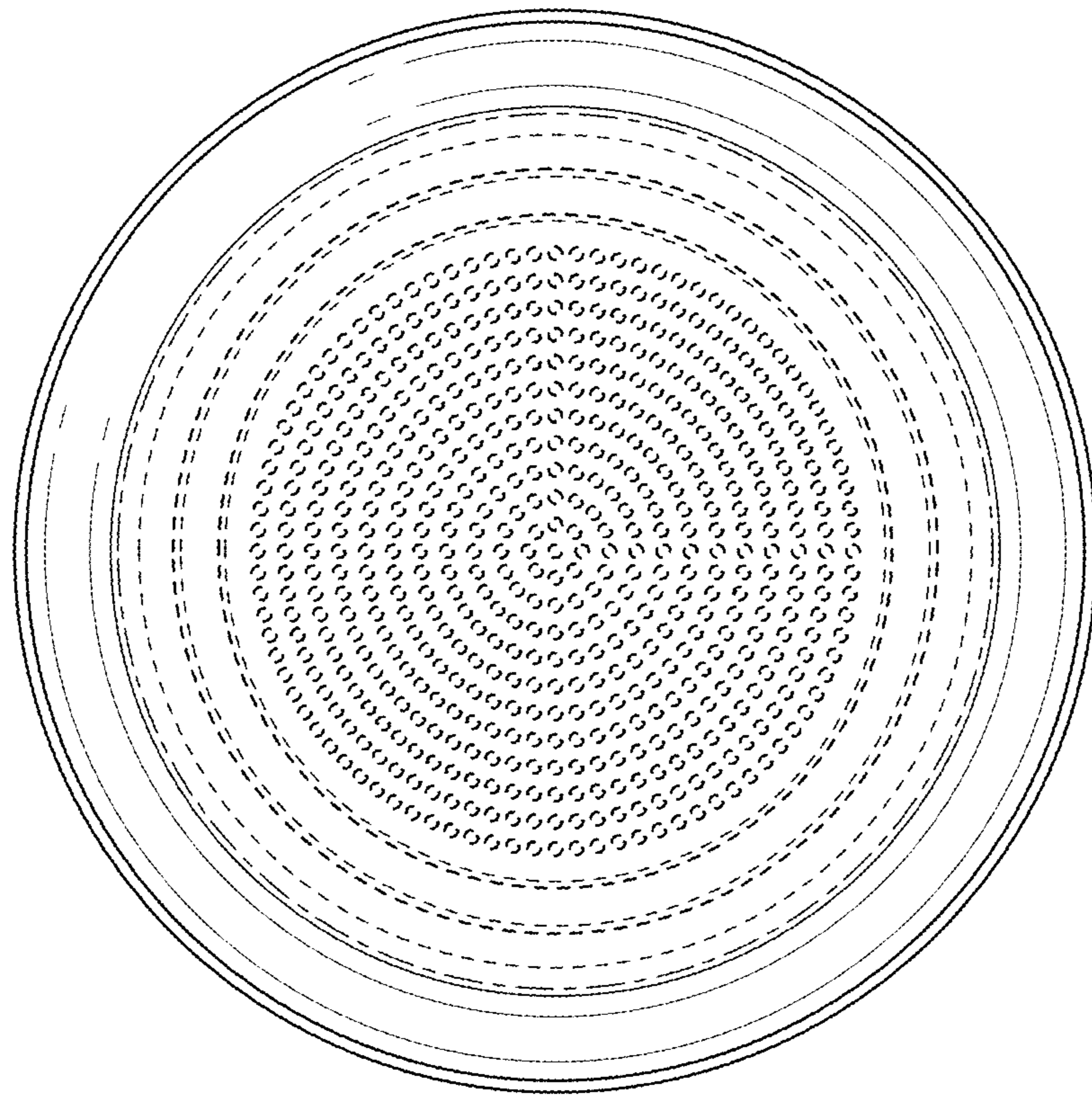


FIG. 7

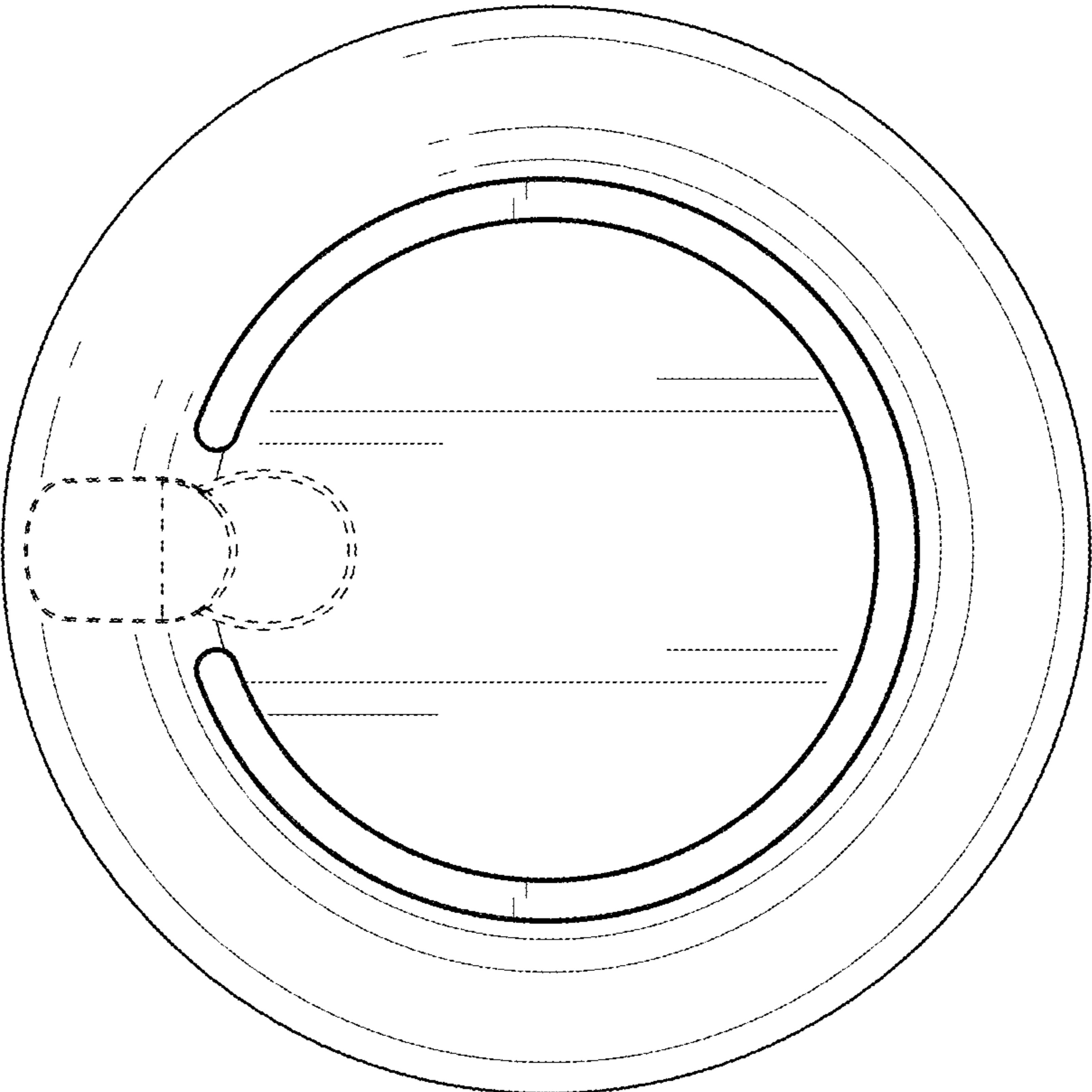


FIG. 8