

US00D864928S

(12) **United States Design Patent**
Masui

(10) **Patent No.:** **US D864,928 S**

(45) **Date of Patent:** **** Oct. 29, 2019**

(54) **TELEVISION RECEIVER**

(71) Applicant: **SONY CORPORATION**, Tokyo (JP)

(72) Inventor: **Kirio Masui**, Tokyo (JP)

(73) Assignee: **SONY CORPORATION**, Tokyo (JP)

(**) Term: **15 Years**

(21) Appl. No.: **29/641,178**

(22) Filed: **Mar. 20, 2018**

(30) **Foreign Application Priority Data**

Dec. 28, 2017 (JP) D2017-029617
Dec. 29, 2017 (CN) 2017 3 0683953

(51) **LOC (12) Cl.** **14-03**

(52) **U.S. Cl.**
USPC **D14/239**

(58) **Field of Classification Search**
USPC D14/371, 373-377, 382, 451, 126, 239,
D14/125, 127, 129; D6/708, 708.16, 300,
D6/308, 310-313, 691.6; D8/349, 354,
D8/363, 373, 376, 380
CPC G06F 1/1601; H04N 5/64; H04N 5/655;
H05K 5/0017; H05K 5/0234
See application file for complete search history.

(56) **References Cited**

U.S. PATENT DOCUMENTS

D671,540 S 11/2012 Yukawa et al.
D677,264 S * 3/2013 Lu D14/451

D701,855 S 4/2014 Kumano et al.
D726,669 S * 4/2015 Yoo D14/126
D726,670 S * 4/2015 Yoo D14/126
D753,619 S * 4/2016 Itai D14/126
D758,376 S * 6/2016 Lu D14/451
D778,856 S 2/2017 Yokota
D787,462 S 5/2017 Shiono et al.
D797,085 S * 9/2017 So D14/126
D801,337 S * 10/2017 Lee D14/374
D833,450 S * 11/2018 Oakley D14/451

* cited by examiner

Primary Examiner — Brett Miller

(74) *Attorney, Agent, or Firm* — Michael Best and Friedrich LLP

(57) **CLAIM**

The ornamental design for a television receiver, as shown.

DESCRIPTION

FIG. 1 is a front, top, right perspective view of a television receiver showing my new design;
FIG. 2 is a rear, top, left perspective view thereof;
FIG. 3 is a front elevational view thereof;
FIG. 4 is a rear elevational view thereof;
FIG. 5 is a left side elevational view thereof;
FIG. 6 is a right side elevational view thereof;
FIG. 7 is a top plan view thereof; and
FIG. 8 is a bottom plan view thereof; and,
FIG. 9 is a cross sectional view thereof cut along the line 9-9 of FIG. 5.

The broken lines illustrating unclaimed portions of the television receiver form no part of the claimed design.

1 Claim, 7 Drawing Sheets

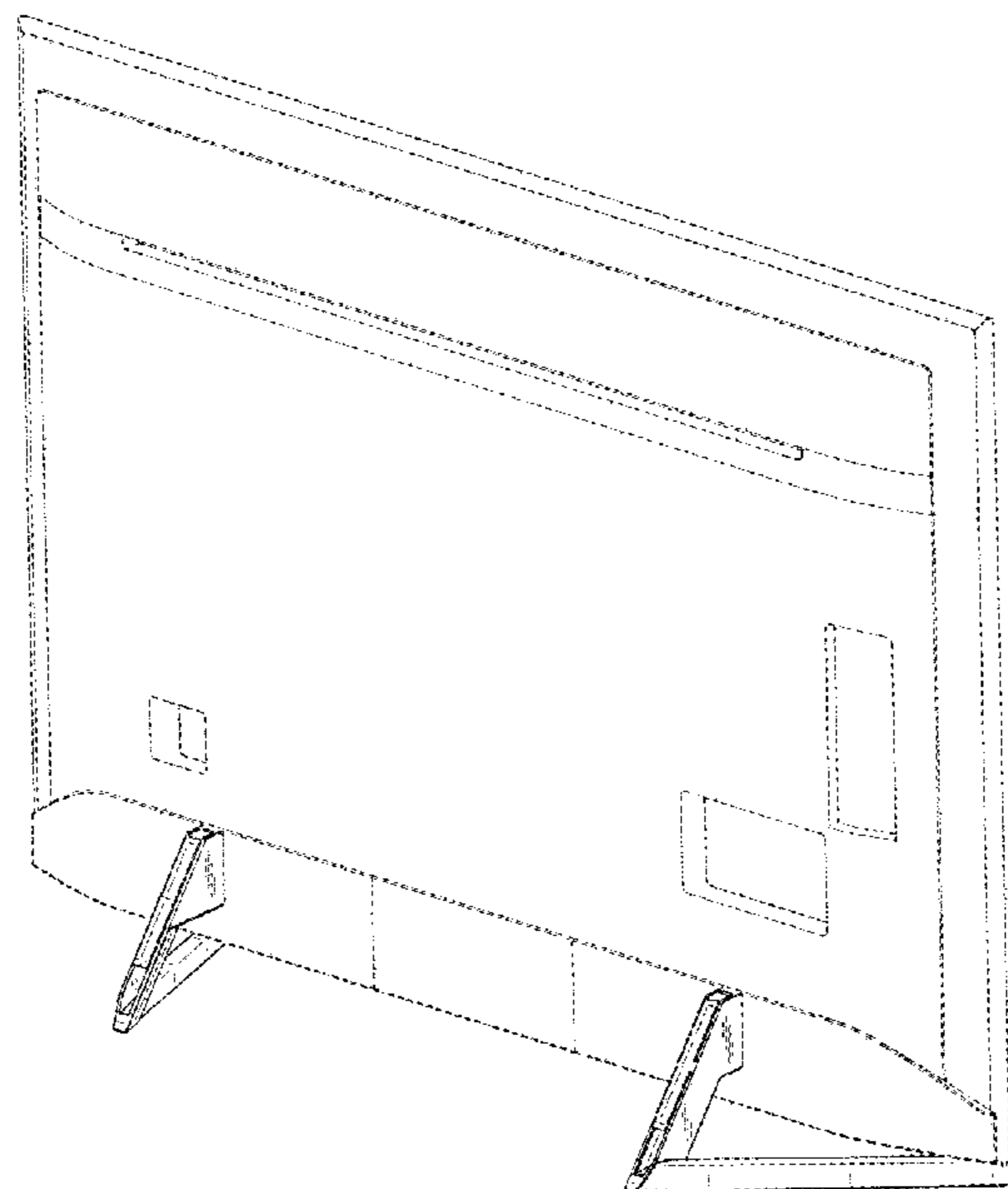


FIG. 1

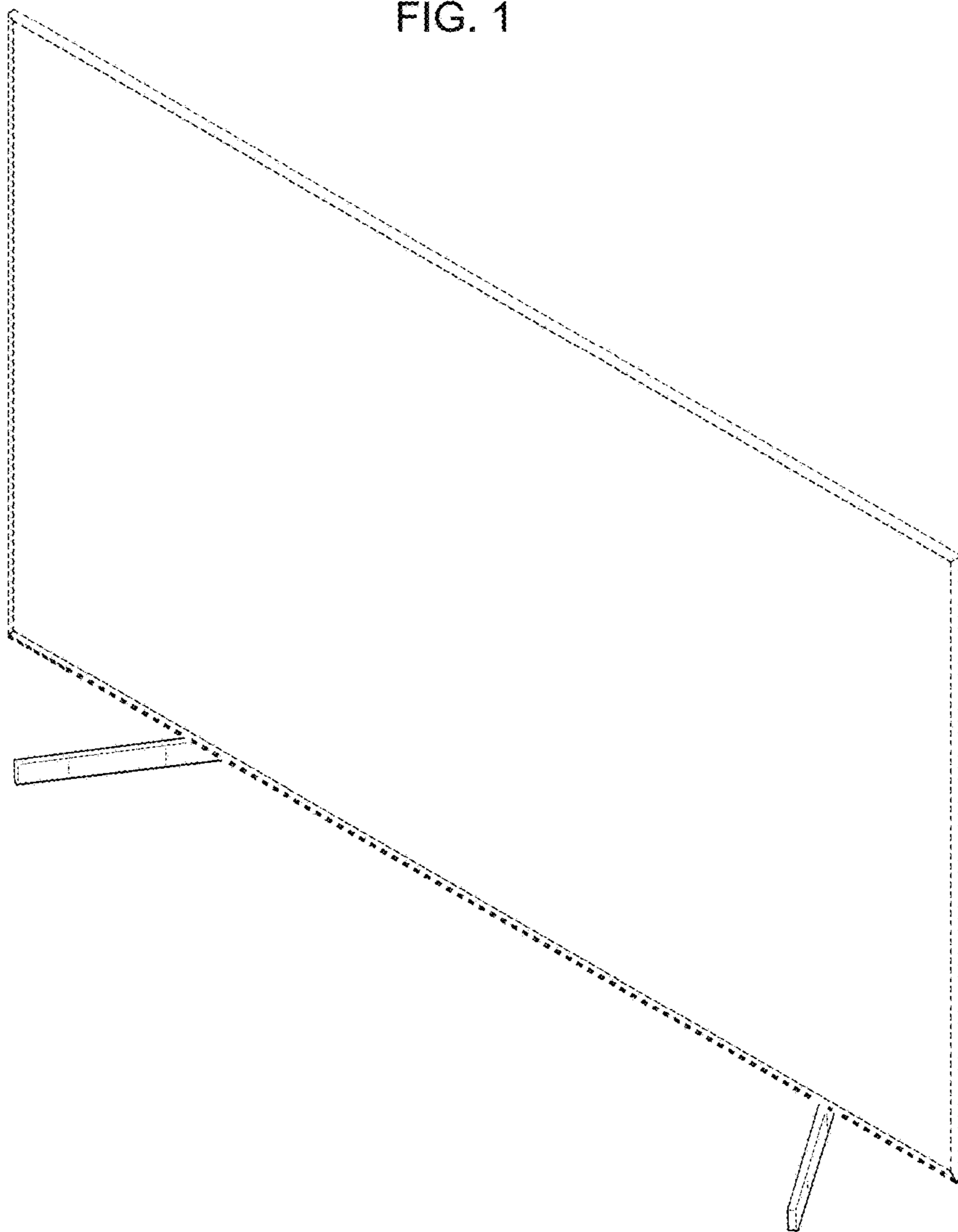


FIG. 2

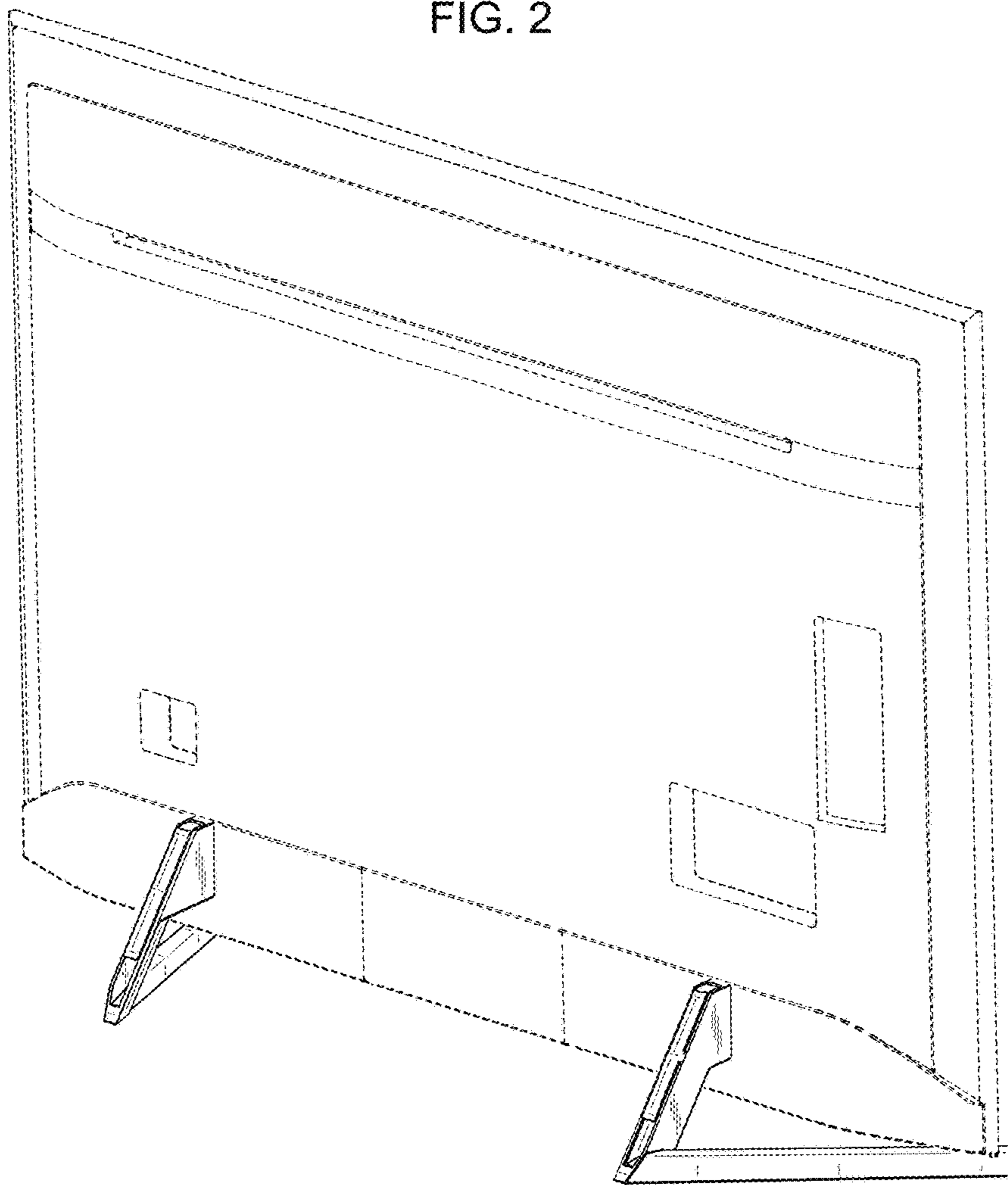


FIG. 3

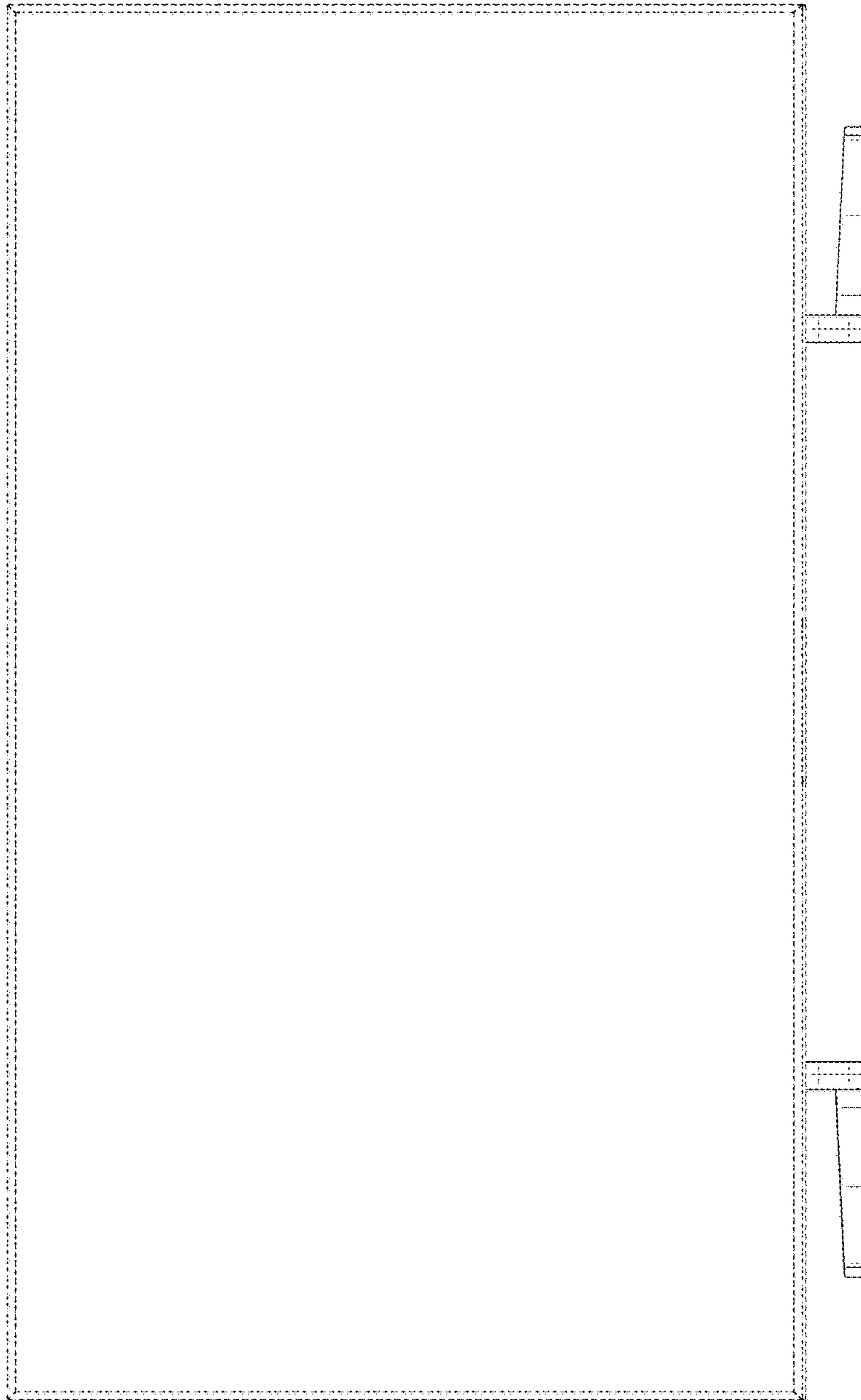


FIG. 4

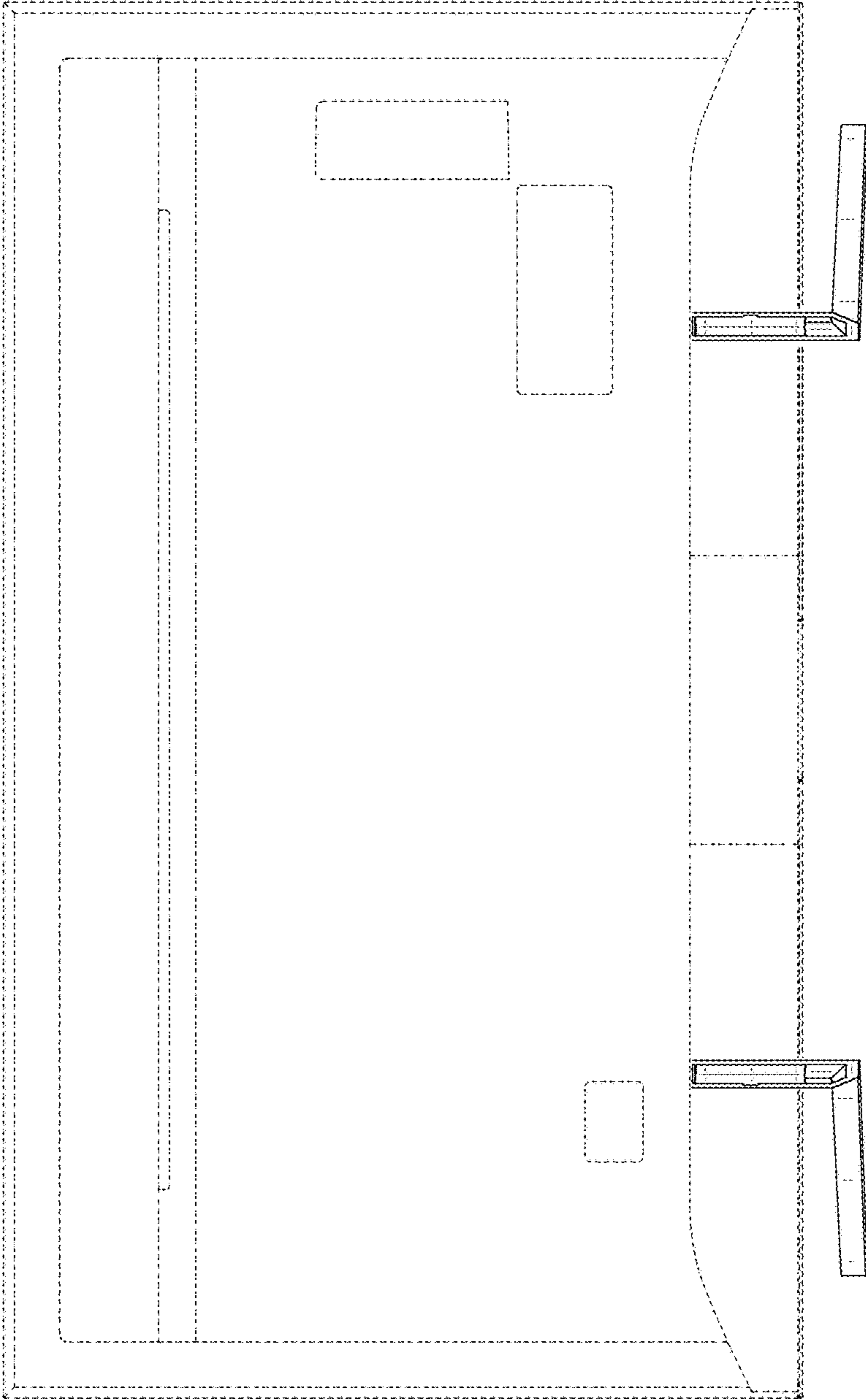


FIG. 6



FIG. 5

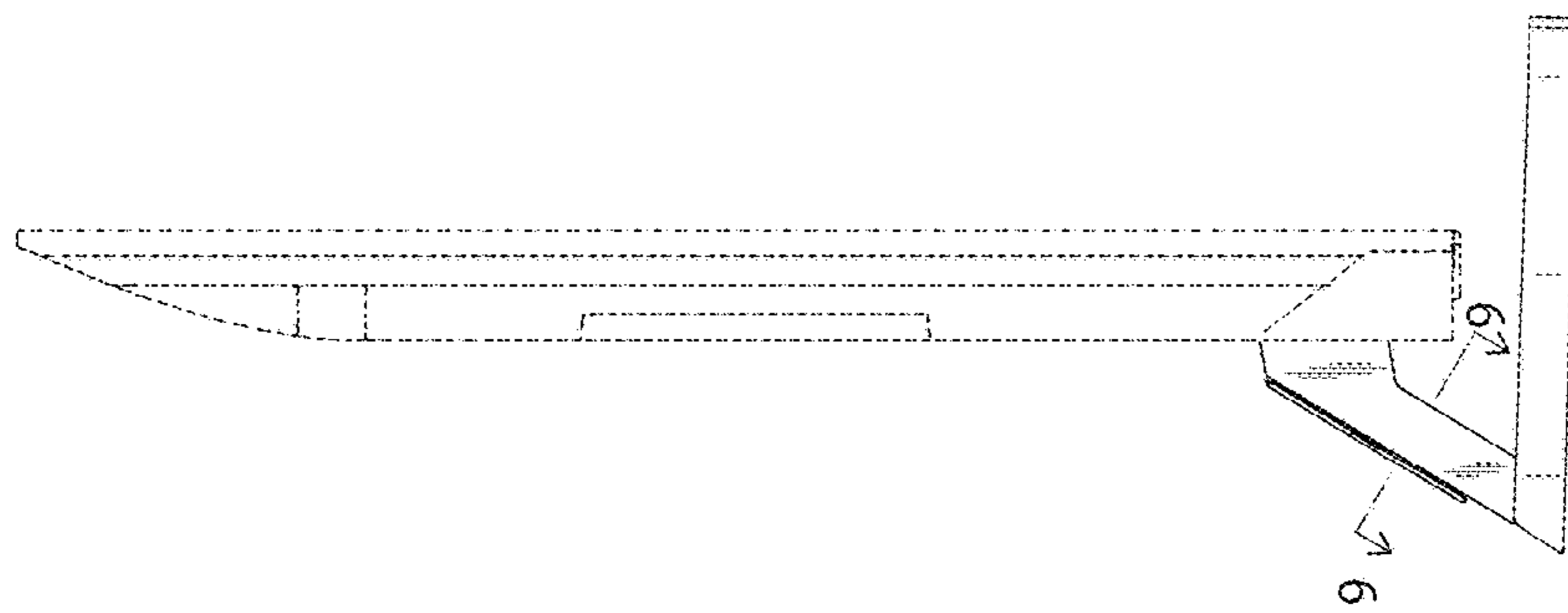


FIG. 7

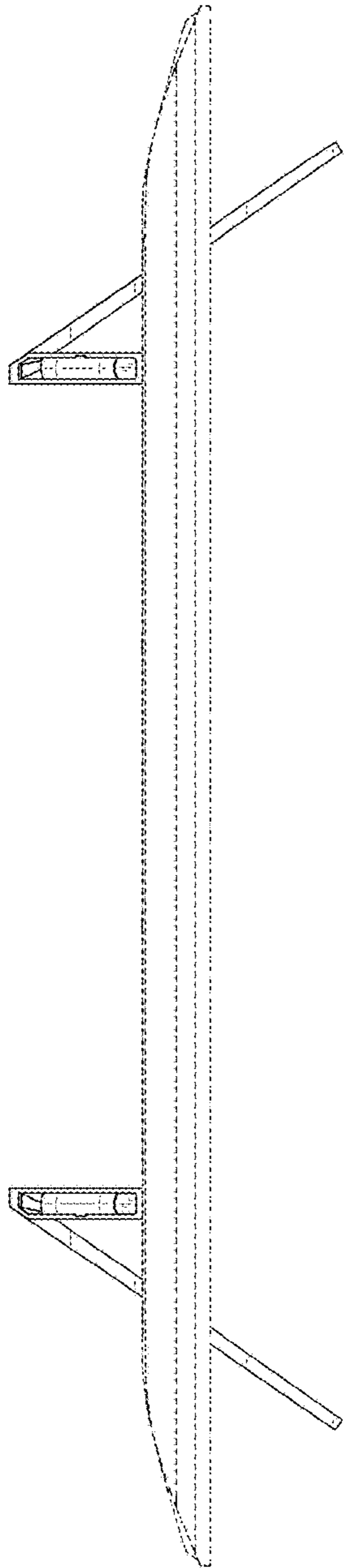


FIG. 8

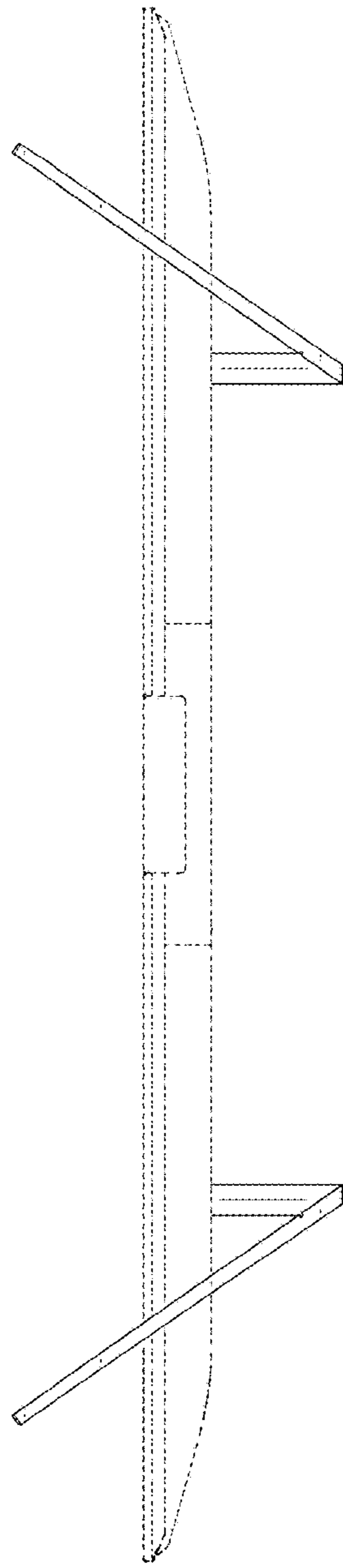


FIG. 9

