

US00D864926S

(12) **United States Design Patent** (10) **Patent No.:** **US D864,926 S**
Chen et al. (45) **Date of Patent:** **** Oct. 29, 2019**

(54) **ANTENNA**
(71) Applicant: **Wistron NeWeb Corp.**, Hsinchu (TW)
(72) Inventors: **Wei-Chen Chen**, Hsinchu (TW);
Chih-Hsin Lin, Hsinchu (TW); **Yu-Yu Chiang**, Hsinchu (TW)
(73) Assignee: **WISTRON NEWEB CORP.**, Hsinchu (TW)

(**) Term: **15 Years**

(21) Appl. No.: **29/658,036**

(22) Filed: **Jul. 27, 2018**

(51) **LOC (12) Cl.** **14-03**

(52) **U.S. Cl.**
USPC **D14/230**

(58) **Field of Classification Search**
USPC D14/138, 230-238, 299, 358; D12/42, D12/43
CPC H01Q 7/00; H01Q 13/10; H01Q 9/285; H01Q 19/30; H01Q 19/12; H01Q 1/38; H01Q 1/36; H01Q 2/0027; H01Q 1/48; H01Q 9/045; H01Q 1/243; H04B 1/0475; H04B 1/034; H05K 11/00

See application file for complete search history.

(56) **References Cited**

U.S. PATENT DOCUMENTS

D534,902 S * 1/2007 Su D14/230
D535,290 S * 1/2007 Su D14/230

7,489,278 B2 * 2/2009 Huang 343/700 MS
D675,195 S * 1/2013 Huang D14/230
D703,196 S * 4/2014 Zheng D14/230
D821,367 S * 6/2018 Zheng D14/230
D840,986 S * 2/2019 Zheng D14/230
2005/0128151 A1 * 6/2005 Kwak H01Q 1/243
343/702
2011/0175794 A1 * 7/2011 Tai 343/908
2012/0176273 A1 * 7/2012 Yu H01Q 1/243
343/700 MS
2013/0033399 A1 * 2/2013 Huang 343/700 MS

* cited by examiner

Primary Examiner — John Windmuller

(74) *Attorney, Agent, or Firm* — McClure, Qualey & Rodack, LLP

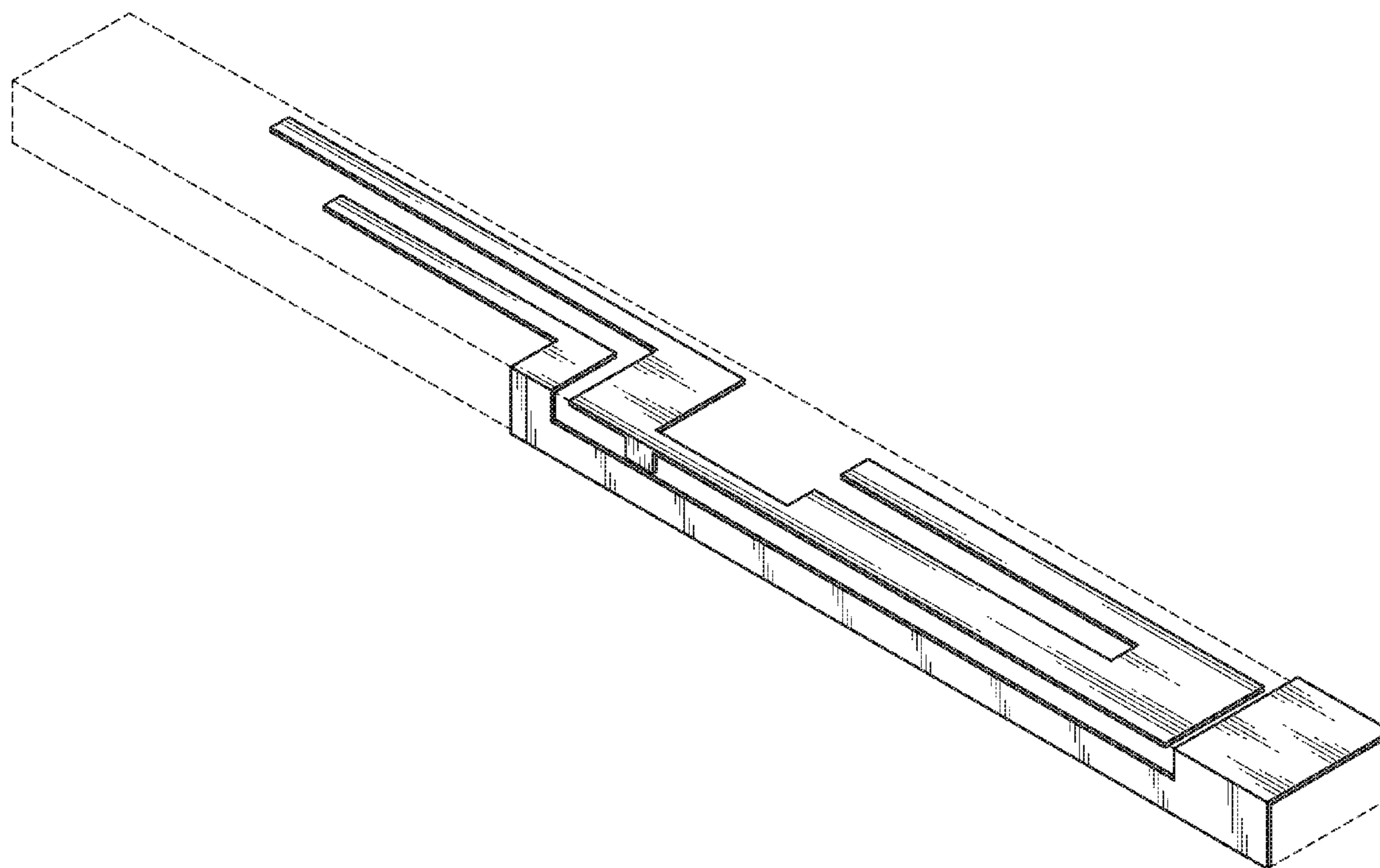
(57) **CLAIM**

The ornamental design for an antenna, as shown and described.

DESCRIPTION

FIG. 1 is a front perspective view of an antenna showing our new design;
FIG. 2 is a front view thereof;
FIG. 3 is a rear view thereof;
FIG. 4 is a left side view thereof;
FIG. 5 is a right side view thereof;
FIG. 6 is a top plan view thereof;
FIG. 7 is a bottom plan view thereof; and,
FIG. 8 is a rear perspective view thereof.
The broken lines in the drawings depict portions of the antenna that form no part of the claimed design.

1 Claim, 5 Drawing Sheets



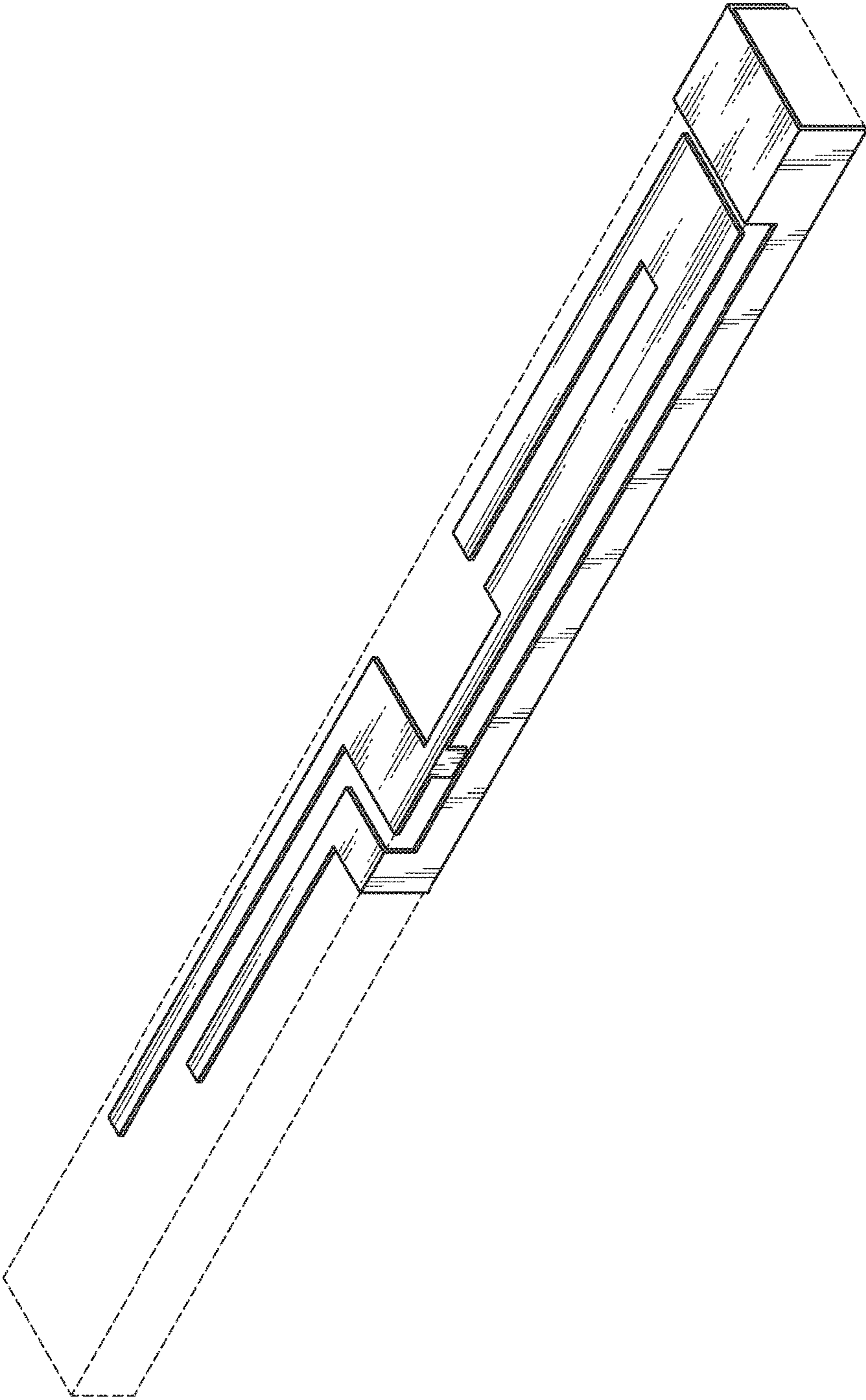


FIG. 1

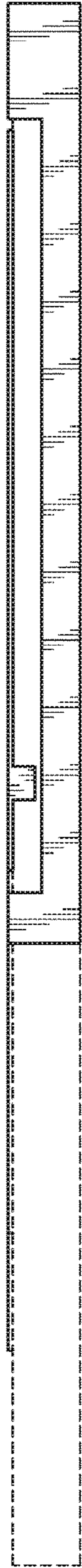


FIG. 2



FIG. 3



FIG. 5



FIG. 4

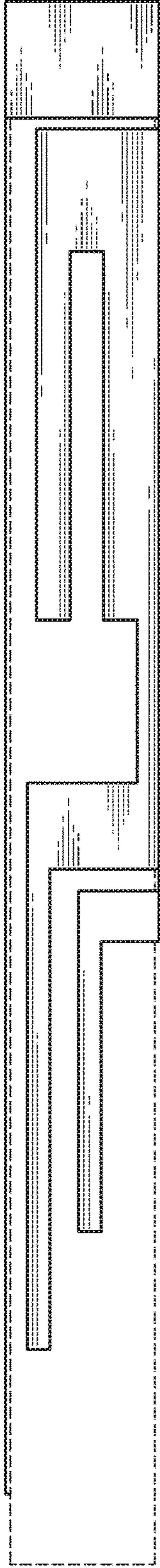


FIG. 6

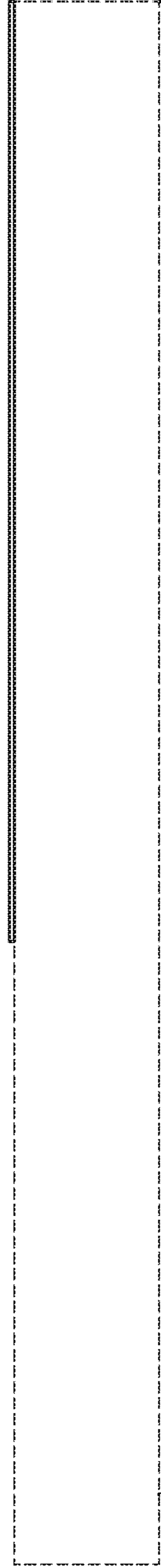


FIG. 7

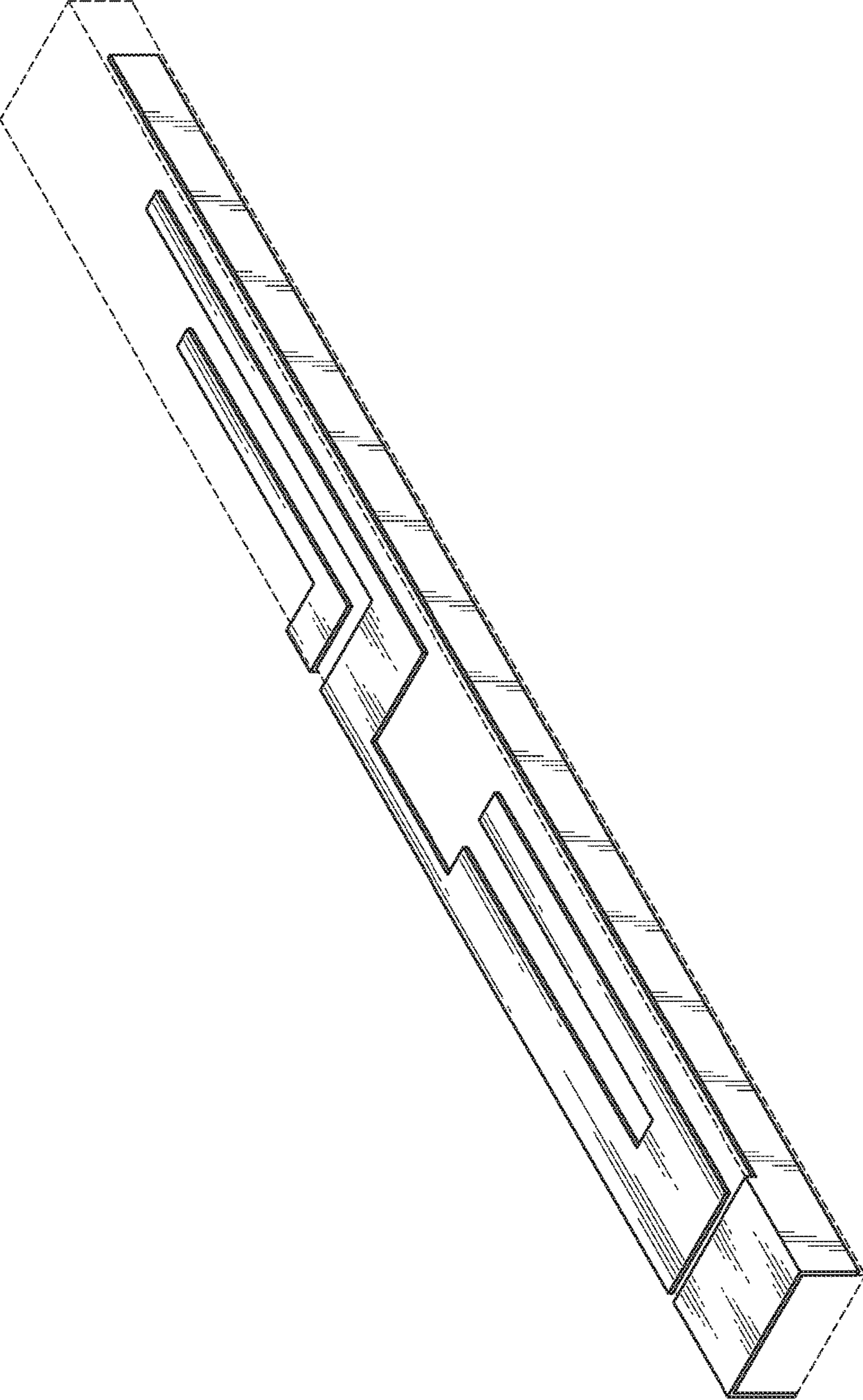


FIG. 8