



US00D864925S

(12) **United States Design Patent**
Yang

(10) **Patent No.:** **US D864,925 S**

(45) **Date of Patent:** **** Oct. 29, 2019**

(54) **ANTENNA**

(71) Applicant: **SHENZHEN ANTOP TECHNOLOGY LIMITED**, Shenzhen (CN)

(72) Inventor: **Ruidian Yang**, Shenzhen (CN)

(73) Assignee: **Shenzhen Antop Technology Limited**, Shenzhen (CN)

(**) Term: **15 Years**

(21) Appl. No.: **29/625,408**

(22) Filed: **Nov. 9, 2017**

(51) **LOC (12) Cl.** **14-03**

(52) **U.S. Cl.**
USPC **D14/230**

(58) **Field of Classification Search**
USPC D14/230–238, 138, 172, 188, 203.1, D14/203.3, 203.6, 204, 216, 221, 238.1, D14/240, 242, 299, 314, 343, 356, 358, D14/496, 509; D6/682
CPC H01Q 1/007; H01Q 1/084; H01Q 1/12; H01Q 1/22; H01Q 1/38; H01Q 1/42; H01Q 7/00; H01Q 9/40; H01Q 9/285; H01Q 9/065; H01Q 9/44; H01Q 9/265; H01Q 19/10; H01Q 19/106; H01Q 19/12; H01Q 19/13; H01Q 19/15; H01Q 19/30; H01Q

(Continued)

(56) **References Cited**

U.S. PATENT DOCUMENTS

D536,665 S * 2/2007 Solland D13/108
D582,394 S * 12/2008 Hong D14/216

(Continued)

OTHER PUBLICATIONS

Antop, Digital Indoor TV Antenna, AV-6019G, online, no post date, URL: <http://www.antop.com/digital-indoor-tv-antenna-av-6019g>, retrieved Jun. 18, 2018.*

(Continued)

Primary Examiner — Manpreet S Matharu

Assistant Examiner — Rebekah A Caruso

(74) *Attorney, Agent, or Firm* — Muncy, Geissler, Olds & Lowe, P.C.

(57) **CLAIM**

The ornamental design for an antenna, as shown and described.

DESCRIPTION

The file of this patent contains at least one drawing executed in color. Copies of this patent with color drawing(s) will be provided by the Office upon request and payment of the necessary fee.

FIG. 1 is a front elevational view of an antenna showing my new design;

FIG. 2 is a rear elevational view thereof;

FIG. 3 is a left side elevational view thereof;

FIG. 4 is a right side elevational view thereof;

FIG. 5 is a top plan view thereof;

FIG. 6 is a bottom plan view thereof;

FIG. 7 is a bottom, front, right perspective view thereof;

FIG. 8 is a top, front, right perspective view thereof; and

FIG. 9 is a bottom, rear, right perspective view thereof;

FIG. 10 is a front elevational view of a second embodiment of an antenna showing my new design;

FIG. 11 is a rear elevational view thereof;

FIG. 12 is a left side elevational view thereof;

FIG. 13 is a right side elevational view thereof;

FIG. 14 is a top plan view thereof;

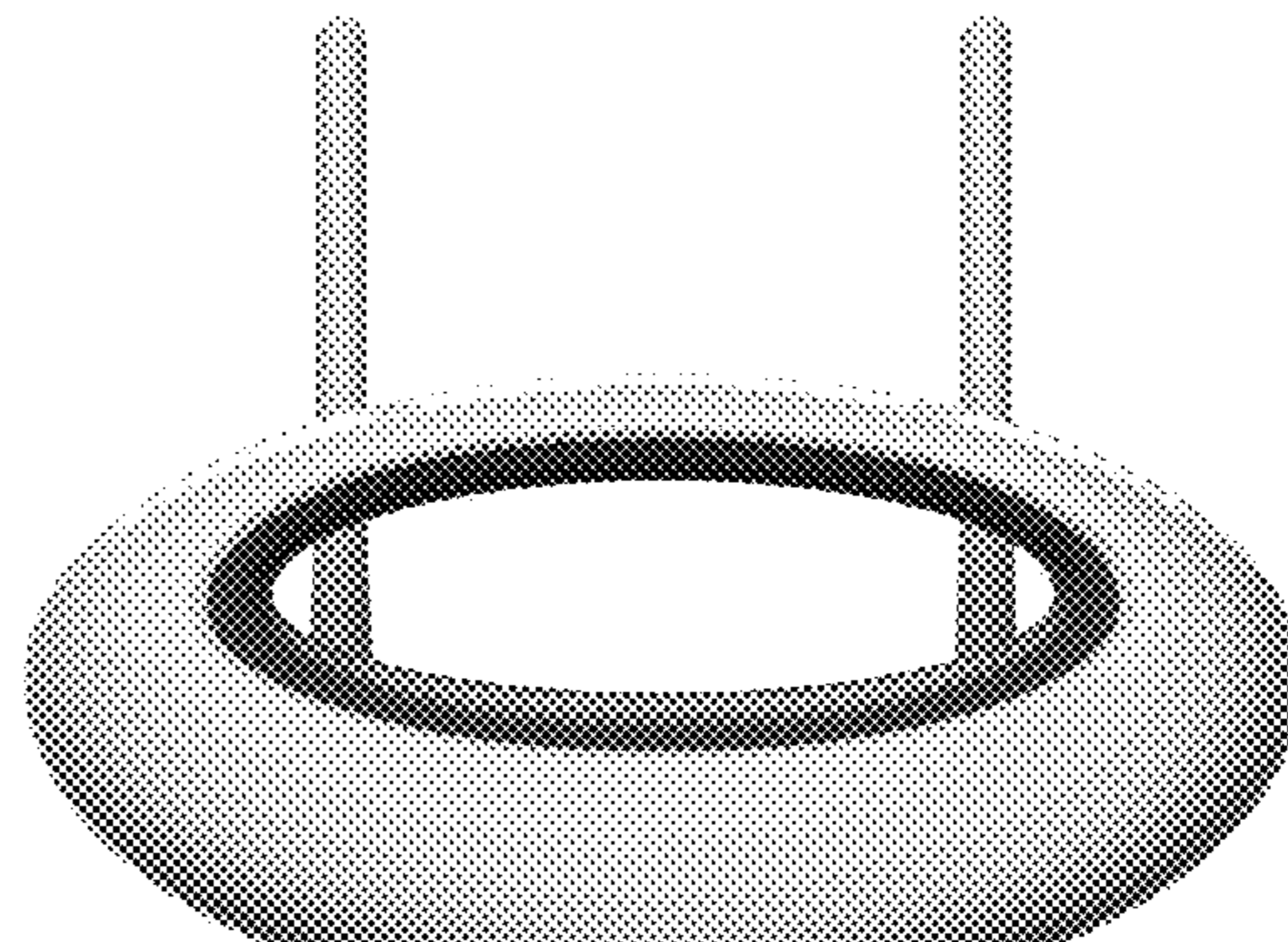
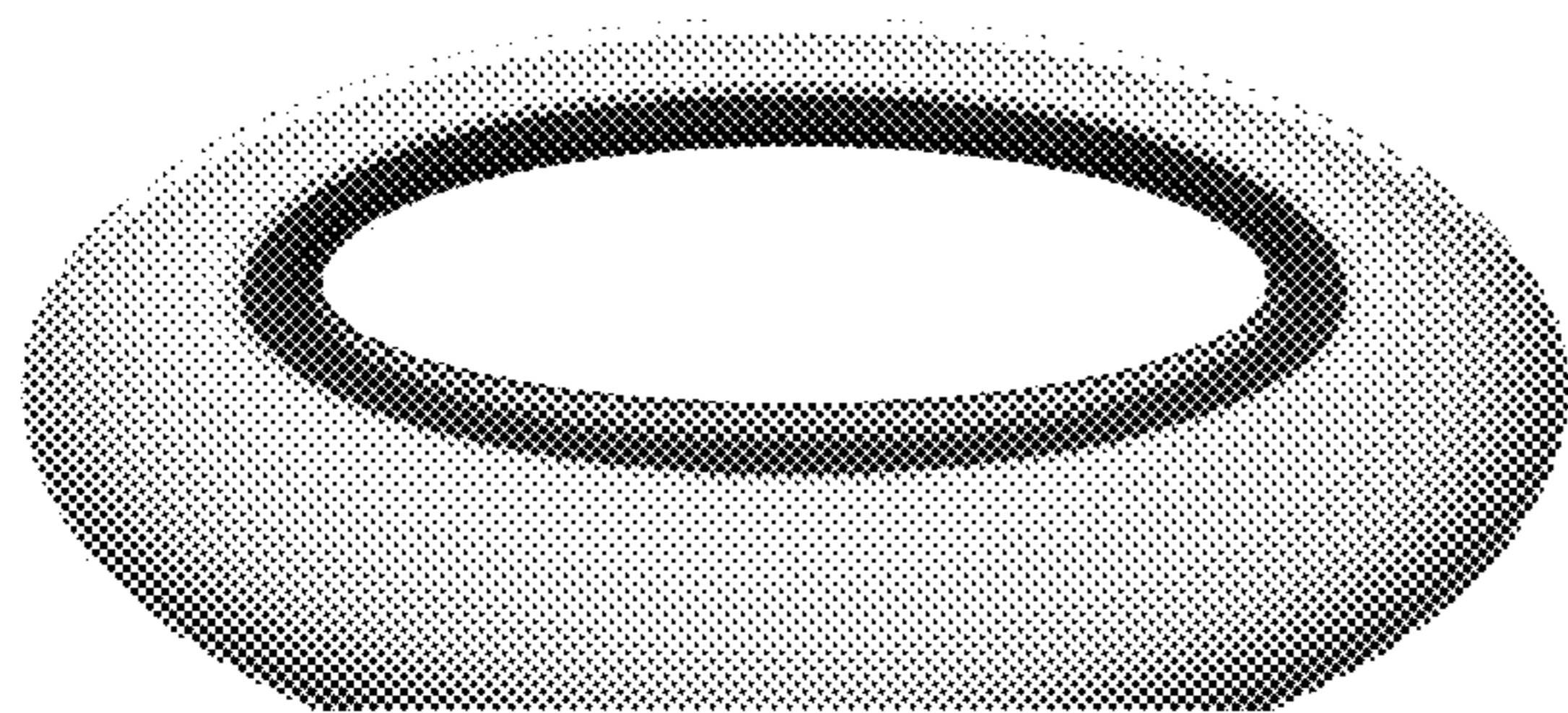
FIG. 15 is a bottom plan view thereof;

FIG. 16 is a top, front, right perspective view thereof;

FIG. 17 is a bottom, rear, right perspective view thereof; and,

FIG. 18 is a bottom, front, right perspective view thereof.

1 Claim, 18 Drawing Sheets
(4 of 18 Drawing Sheet(s) Filed in Color)



(58) **Field of Classification Search**

CPC 21/28; H01Q 21/06; H01Q 21/062; H01Q
21/293; H01Q 23/00; G05D 1/02; G05D
1/0234

See application file for complete search history.

(56) **References Cited**

U.S. PATENT DOCUMENTS

D647,508	S	*	10/2011	Lee	D14/216
D700,168	S	*	2/2014	Bolton	D14/216
D733,098	S	*	6/2015	Takamoto	D14/215
D782,445	S	*	3/2017	Ahn	D14/216
D803,191	S	*	11/2017	Luo	D14/216
D831,010	S	*	10/2018	Yang	D14/230
D837,769	S	*	1/2019	Yang	D14/230
D838,695	S	*	1/2019	Yang	D14/230
D842,841	S	*	3/2019	Demin	D14/216
D843,981	S	*	3/2019	Yang	D14/230
D843,984	S	*	3/2019	Yang	D14/230

OTHER PUBLICATIONS

Antop, Digital Indoor TV Antenna, AV-6015, Stylish Series, online,
no post date, URL: <http://www.antop.com/digital-indoor-tv-antenna-stylish-series-1>, retrieved Jun. 18, 2018.*

* cited by examiner

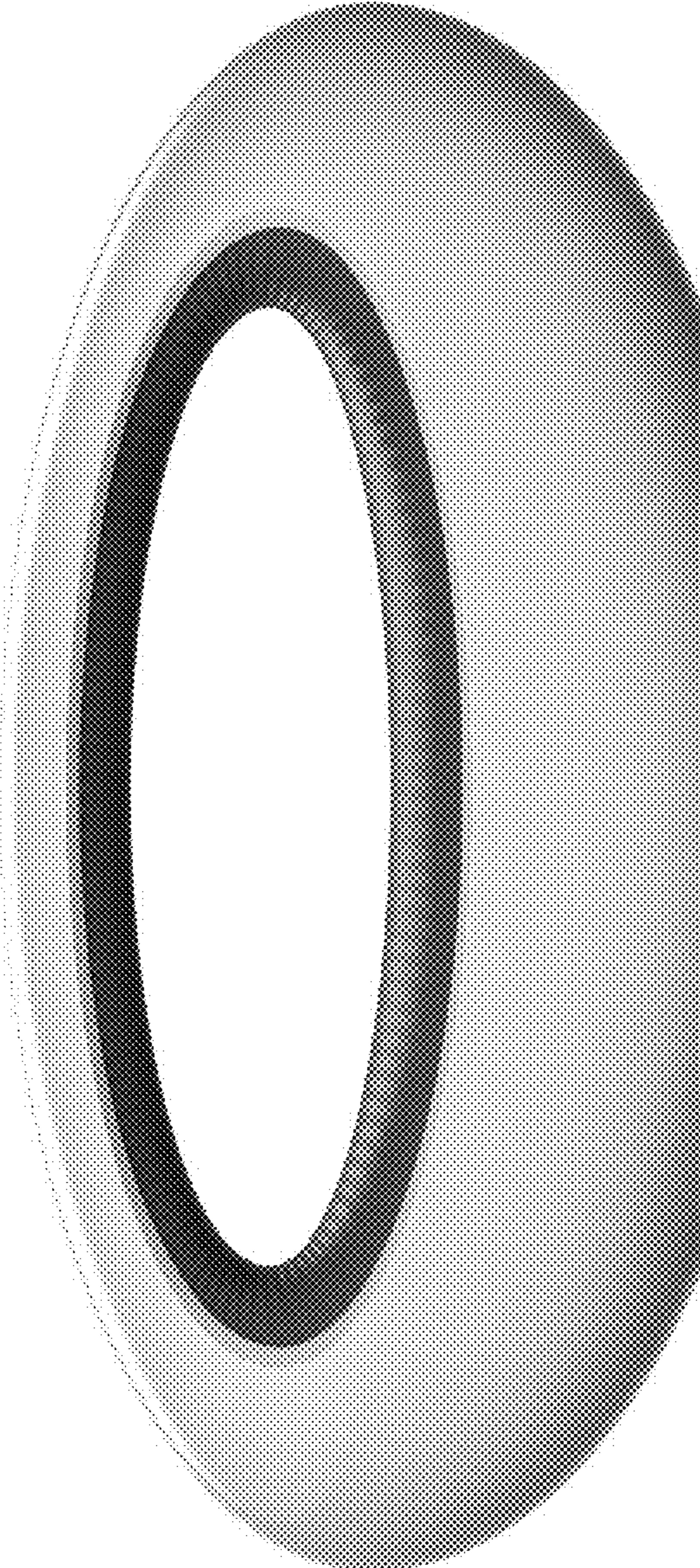


FIG. 1

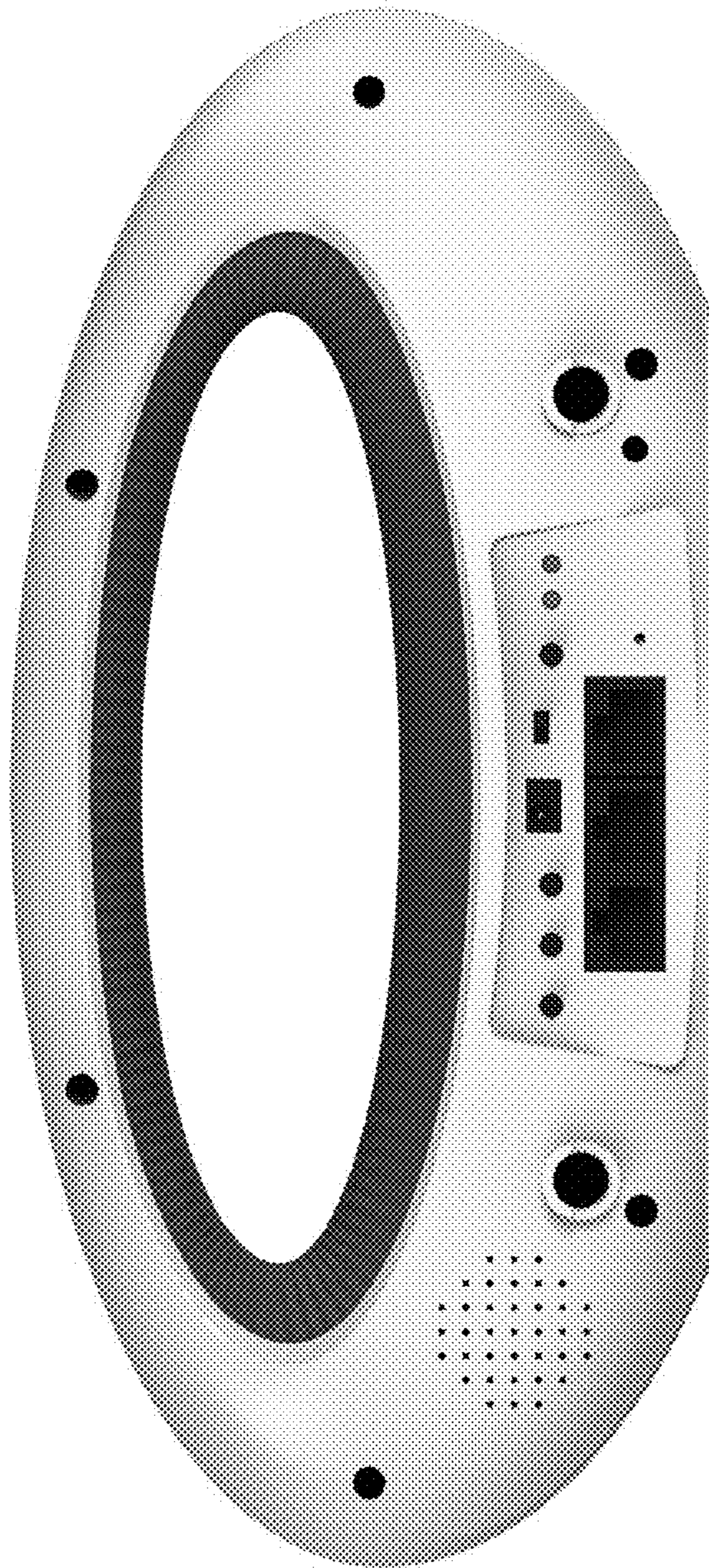


FIG. 2

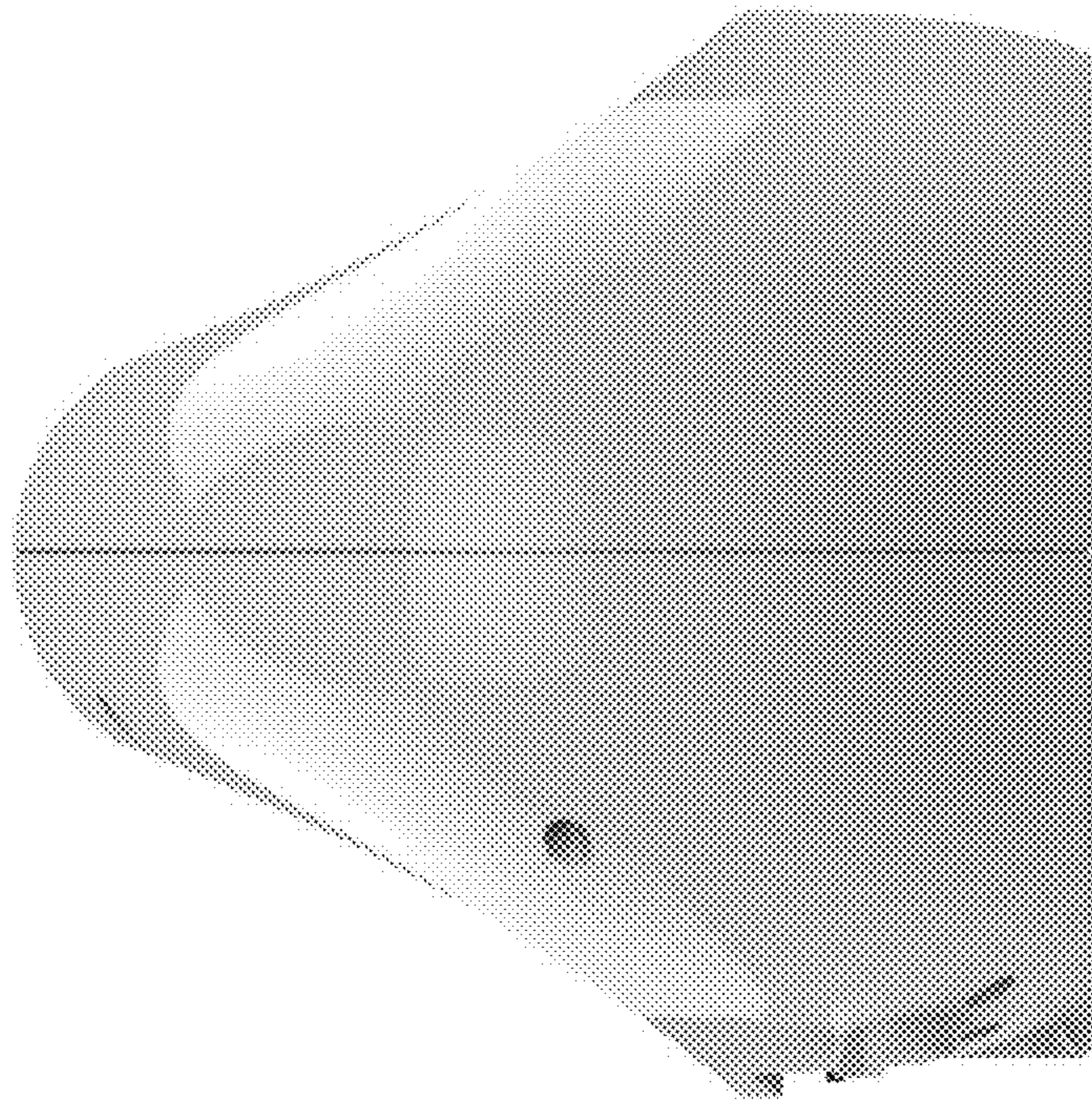


FIG. 3

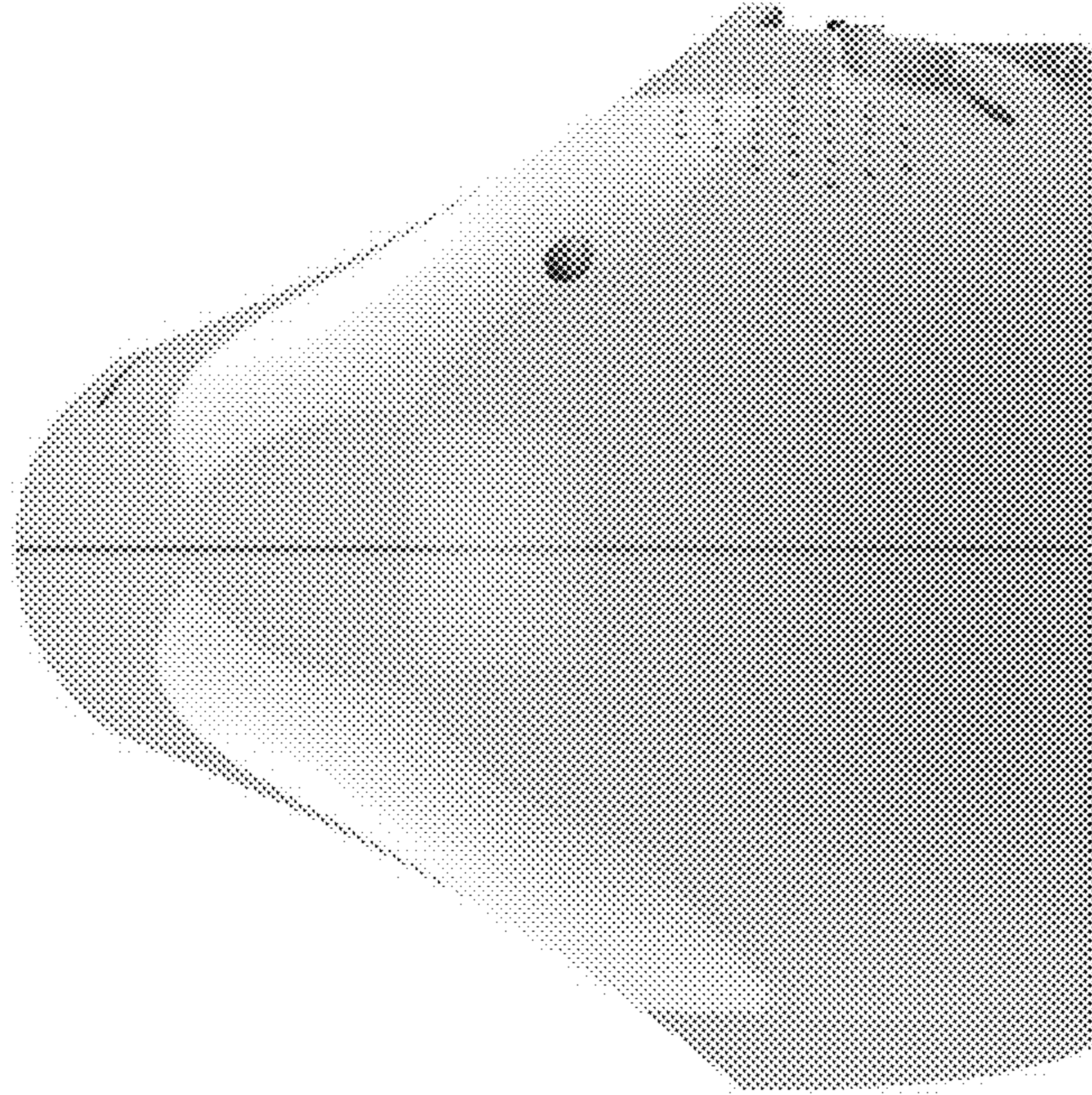


FIG. 4



FIG. 5

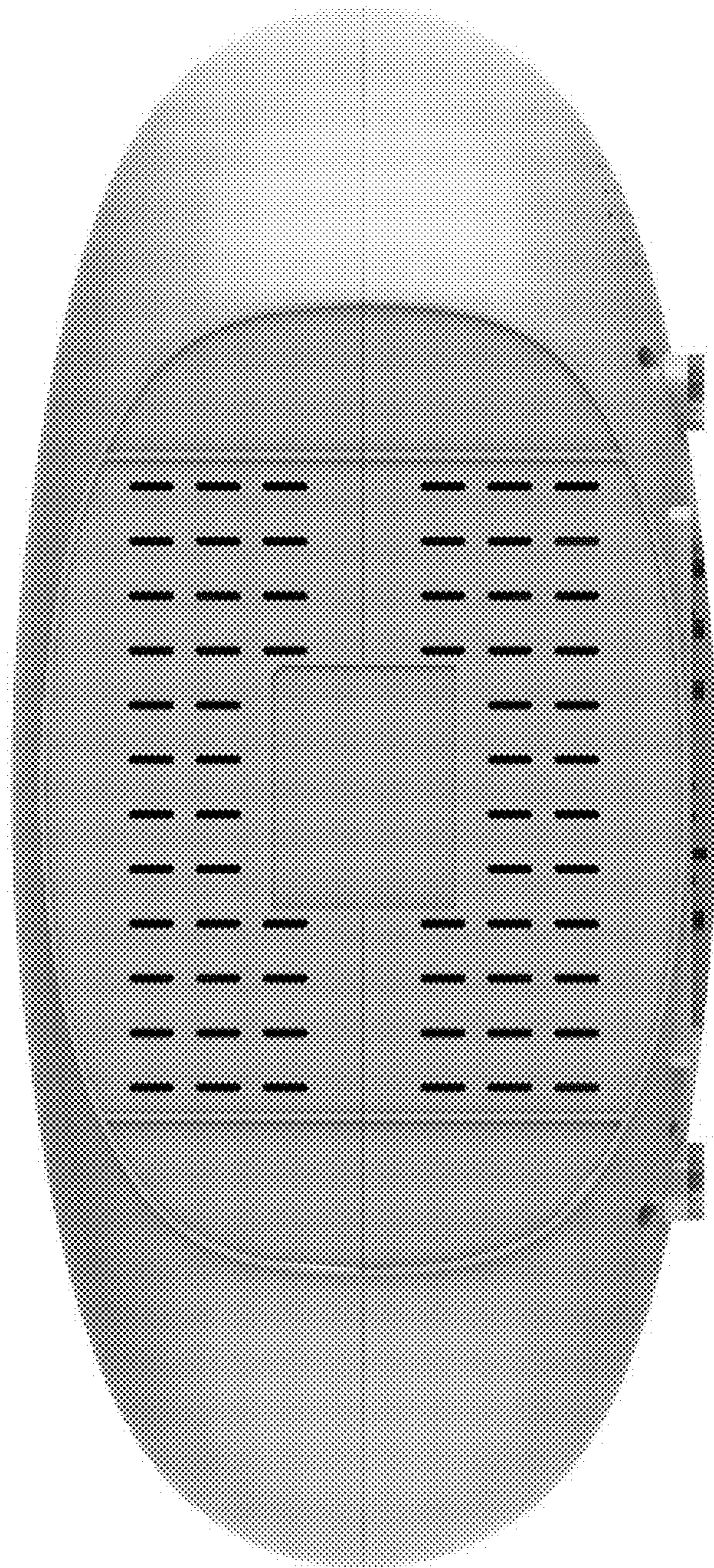


FIG. 6

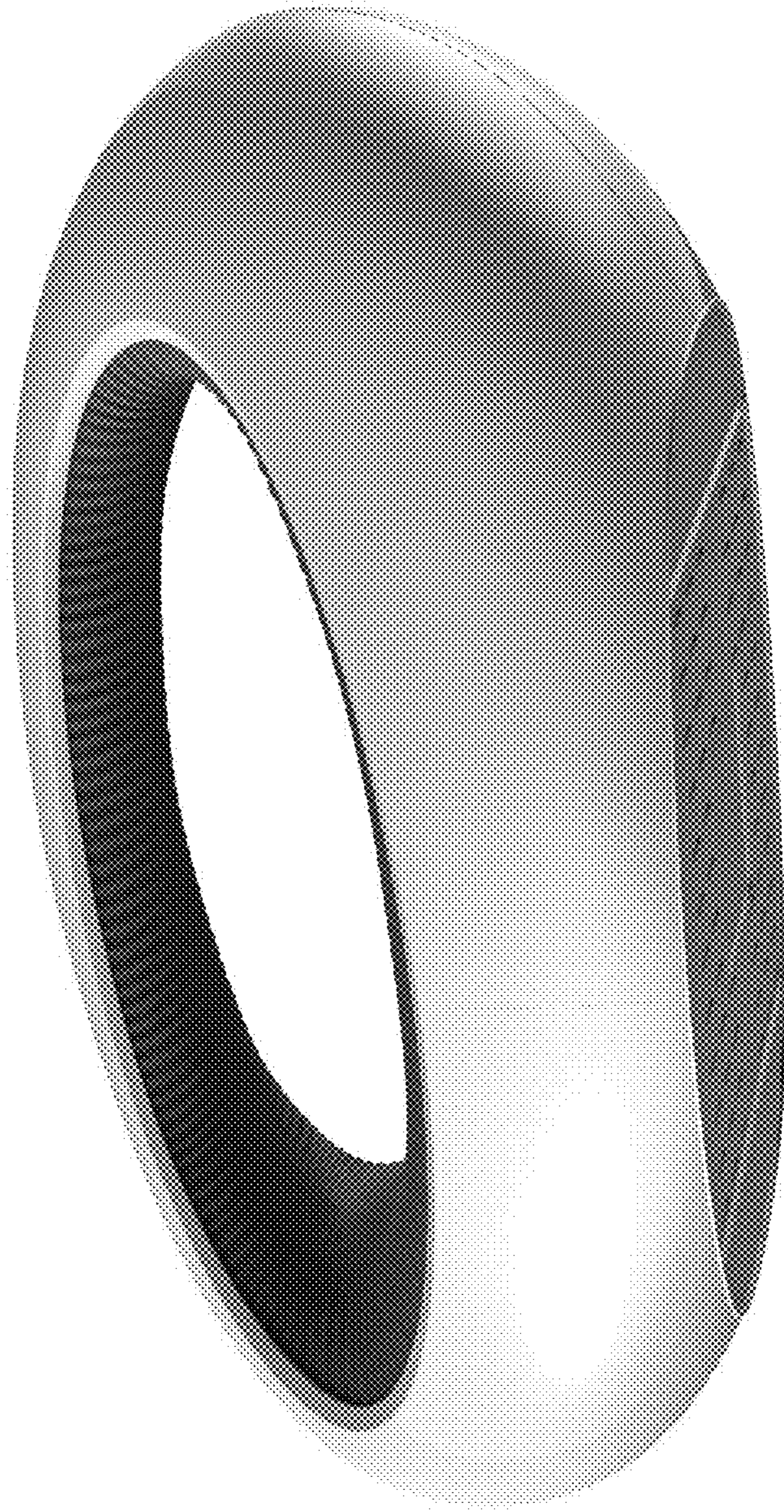


FIG. 7



FIG. 8



FIG. 9

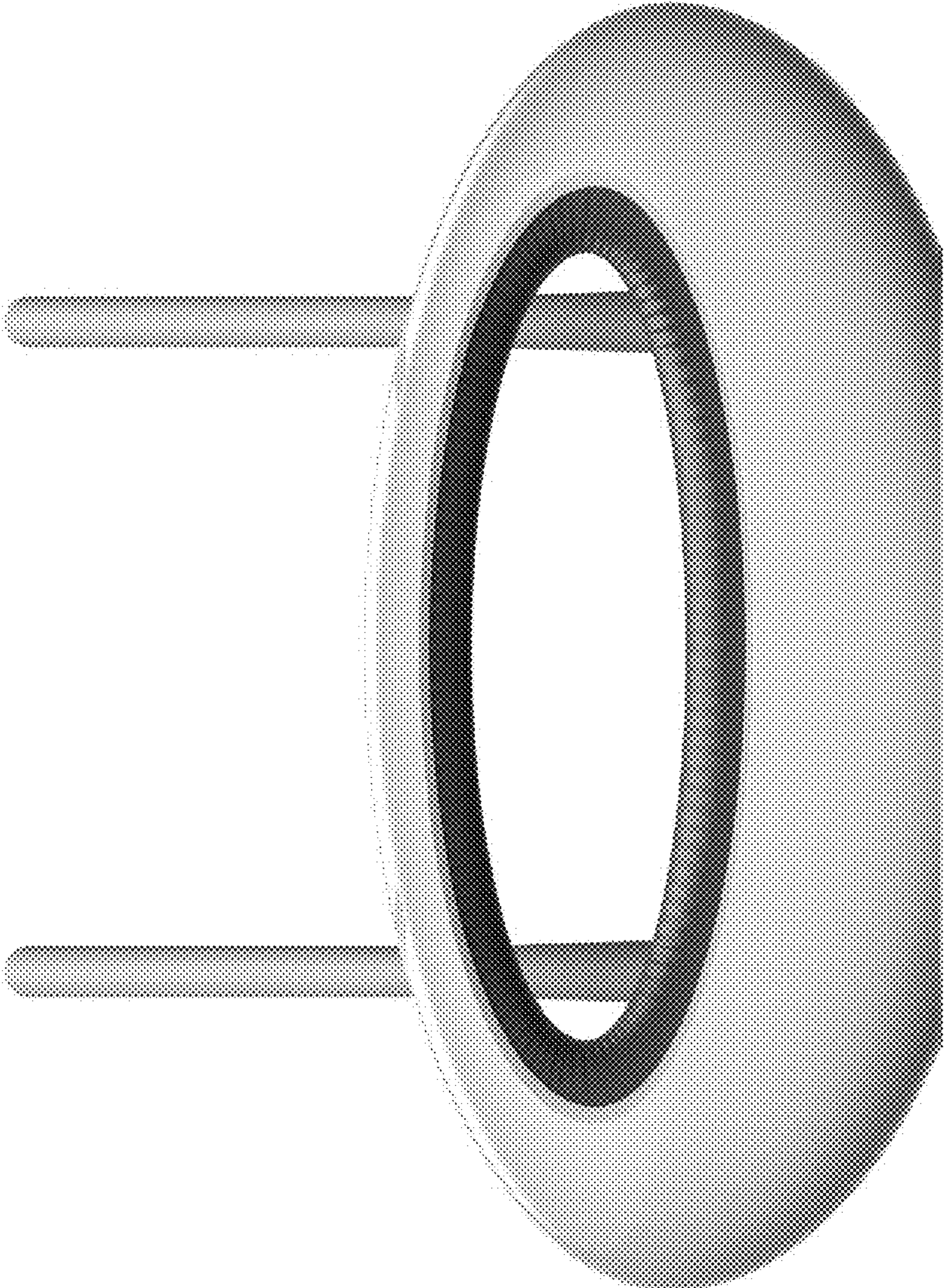


FIG. 10

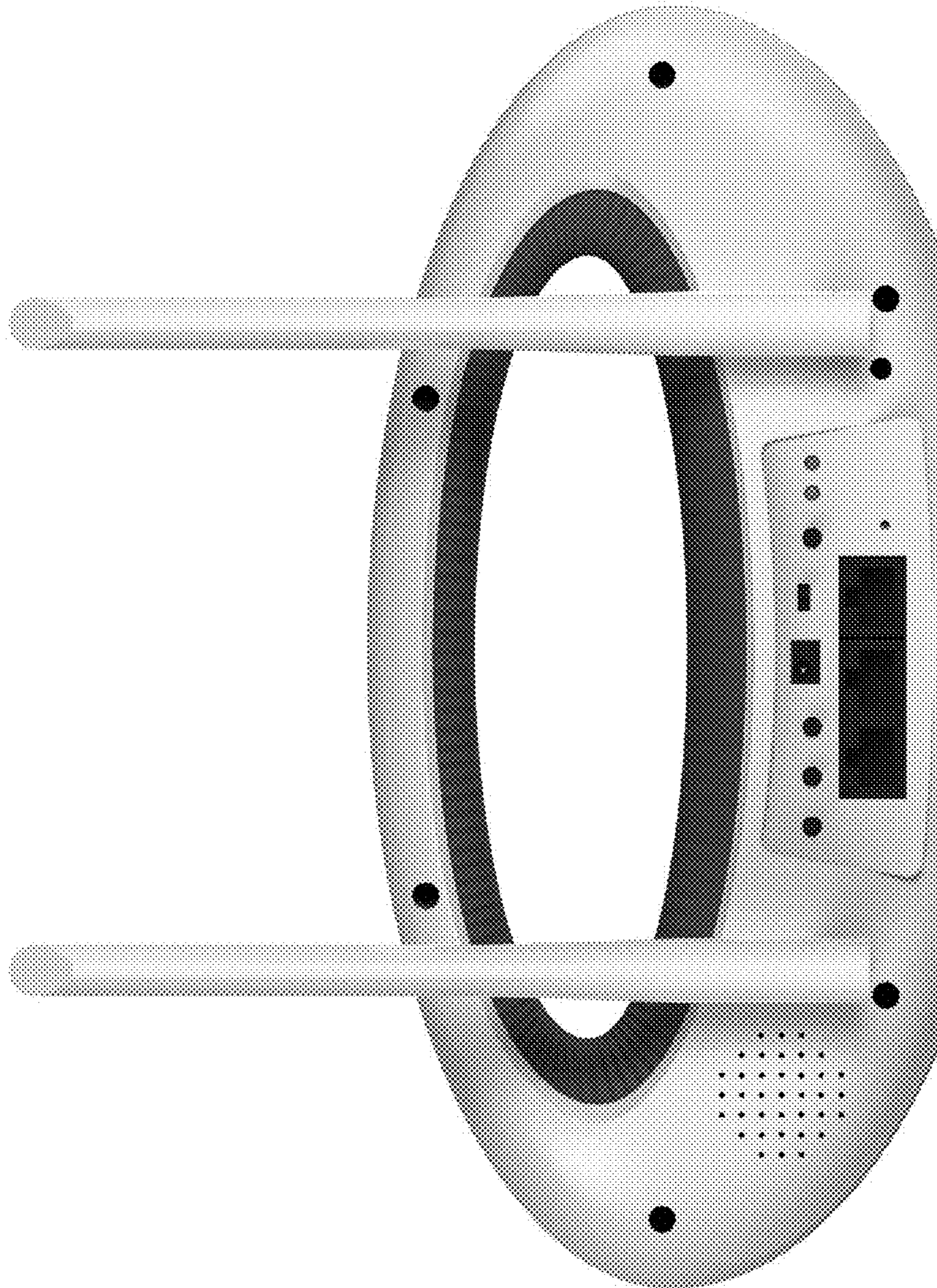


FIG. 11

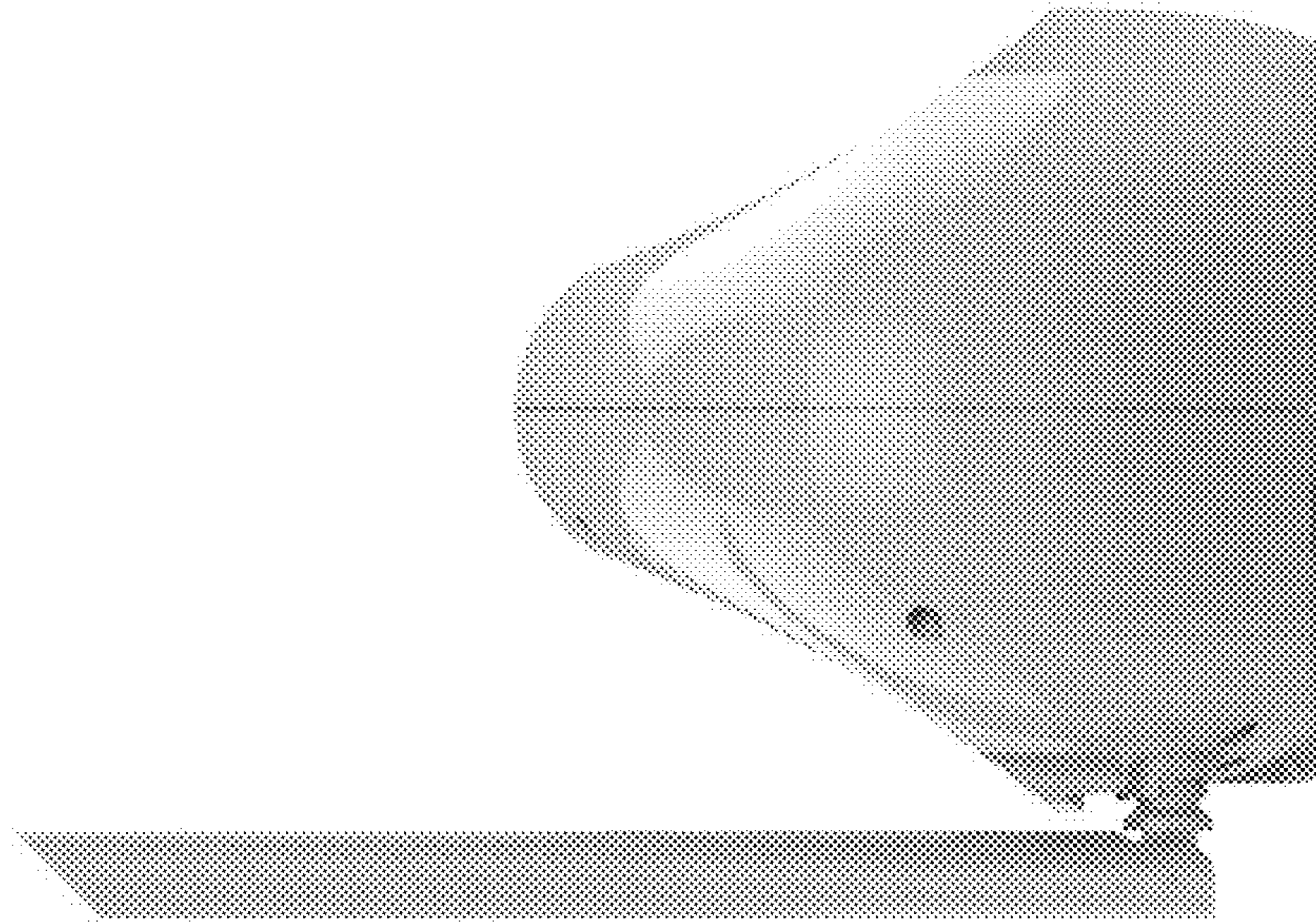


FIG. 12

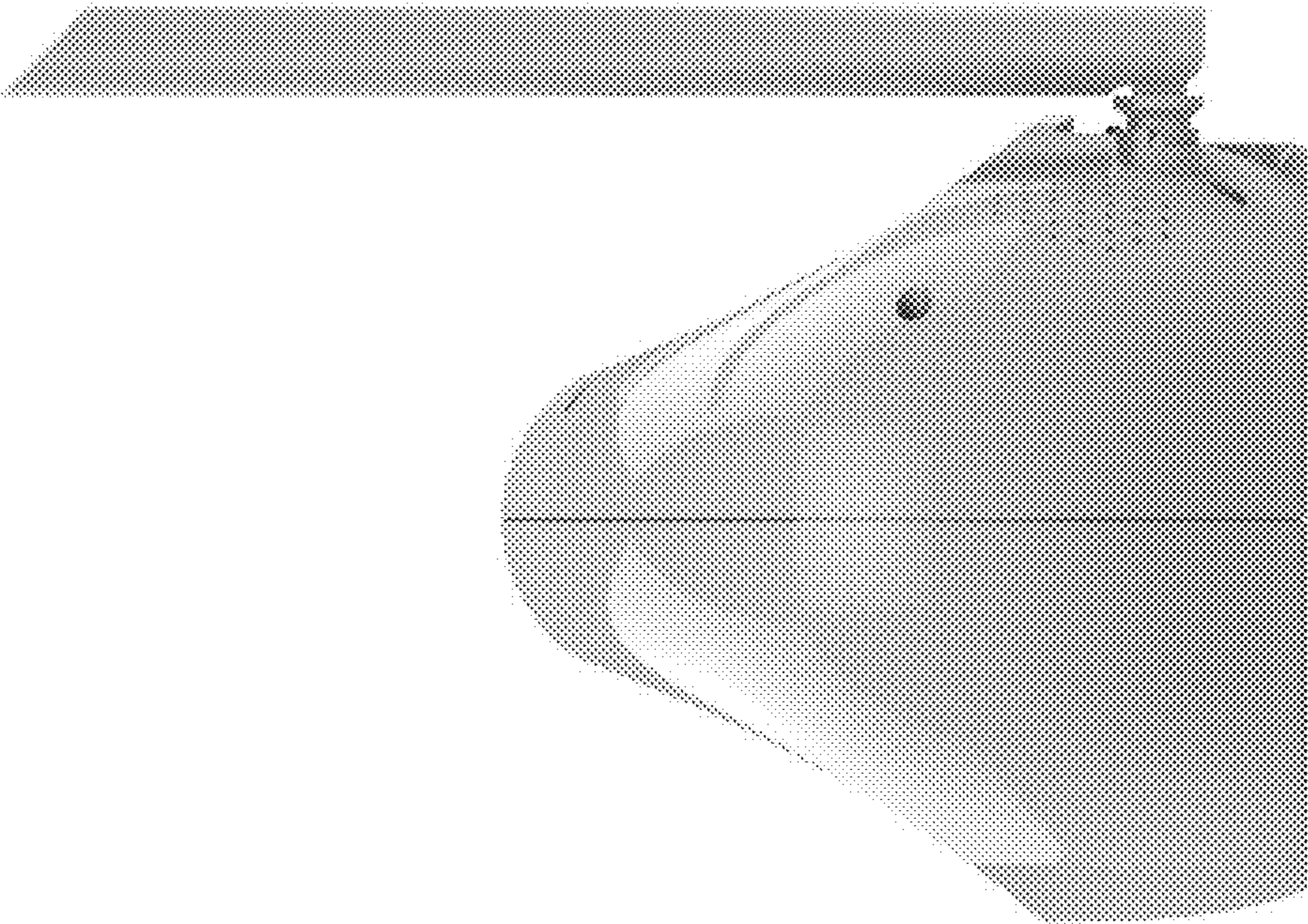


FIG. 13

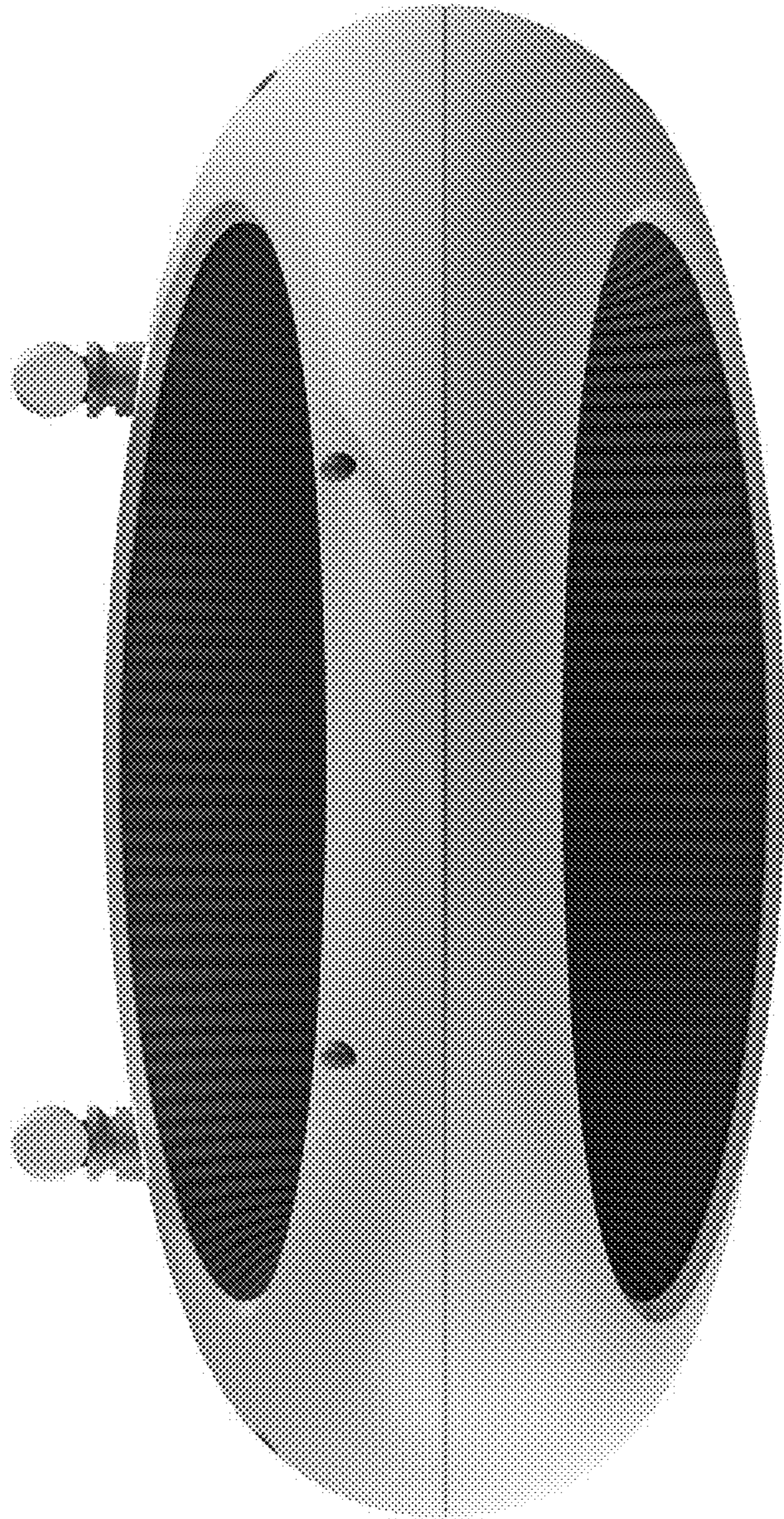


FIG. 14

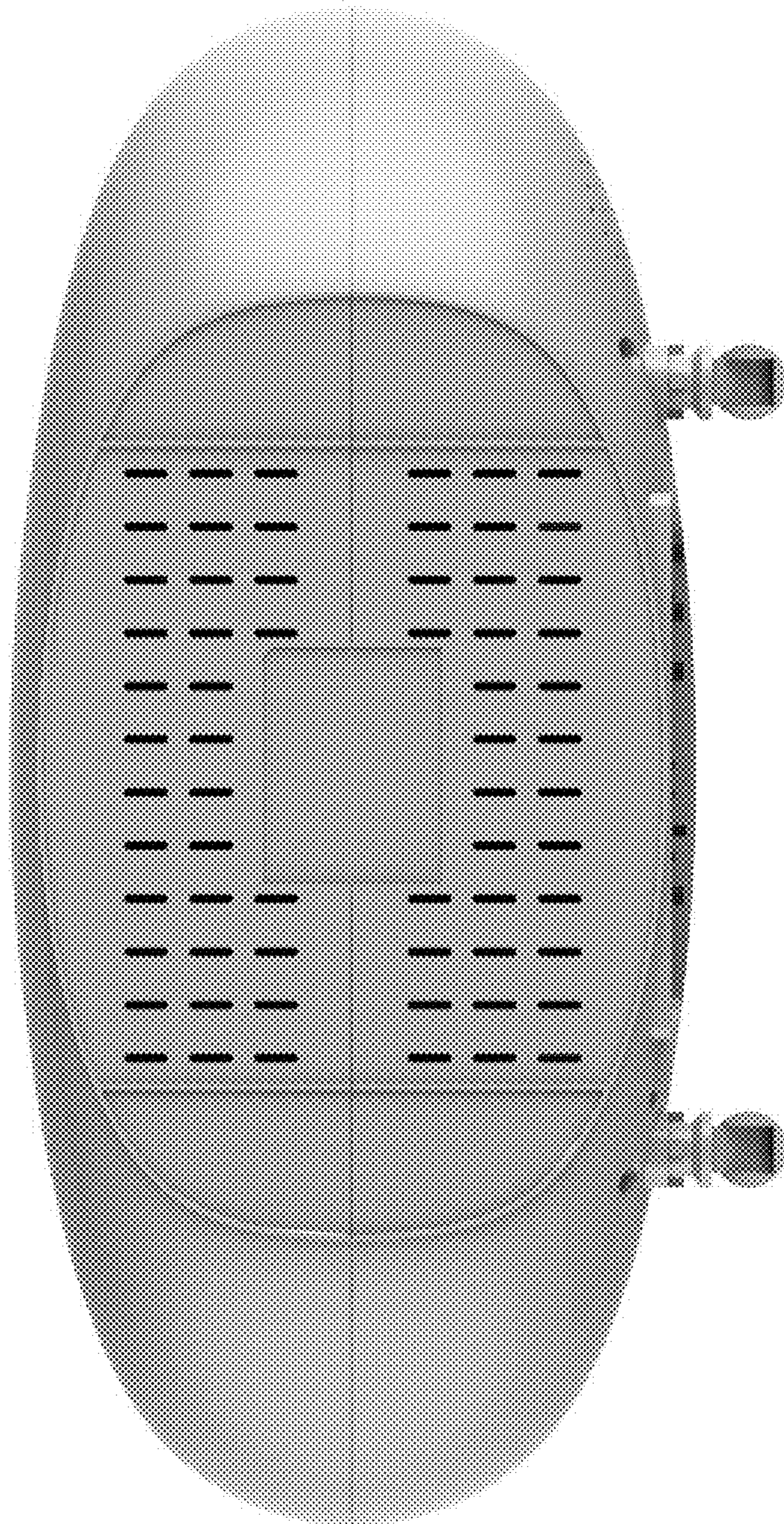


FIG. 15

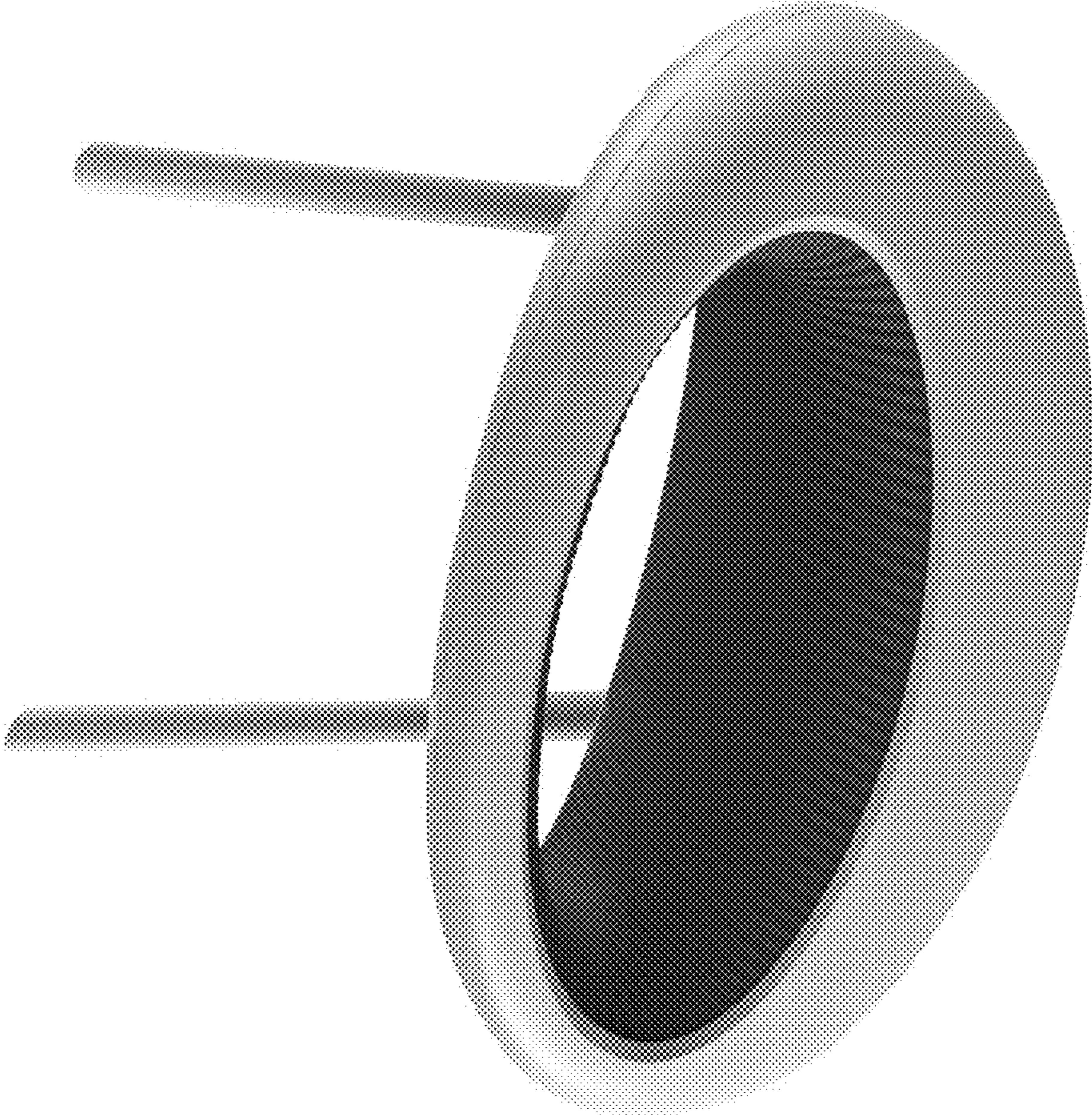


FIG. 16



FIG. 17



FIG. 18