

US00D864924S

(12) **United States Design Patent** (10) **Patent No.:** **US D864,924 S**  
**Howard** (45) **Date of Patent:** **\*\* Oct. 29, 2019**

|  |                   |         |                                      |
|--|-------------------|---------|--------------------------------------|
| (54) <b>ANTENNA</b>  | D533,546 S        | 12/2006 | Iizuka et al.                        |
|  | D611,039 S        | 3/2010  | Deguchi et al.                       |
| (71) Applicant: <b>AVERY DENNISON RETAIL INFORMATION SERVICES, LLC,</b><br>Mentor, OH (US) | D658,639 S        | 5/2012  | Huang et al.                         |
|  | D659,685 S        | 5/2012  | Huang et al.                         |
|  | 8,319,473 B2 *    | 11/2012 | Choi ..... H02J 5/005<br>320/108     |
| (72) Inventor: <b>Norman A. Howard,</b> Ilford (GB)  | D702,216 S        | 4/2014  | Poddaturi                            |
|  | D704,169 S        | 5/2014  | Forster et al.                       |
|  | D704,682 S        | 5/2014  | Forster                              |
| (73) Assignee: <b>AVERY DENNISON RETAIL INFORMATION SERVICES, LLC,</b><br>Mentor, OH (US)  | D717,282 S        | 11/2014 | Forster                              |
|  | D730,330 S        | 5/2015  | Leibovich                            |
|  | D750,051 S *      | 2/2016  | Poddaturi ..... D14/230              |
|  | D759,635 S *      | 6/2016  | Forster ..... D14/230                |
|  | D822,010 S *      | 7/2018  | Tkachenko ..... D14/230              |
| (**) Term: <b>15 Years</b>   | D840,379 S *      | 2/2019  | Howard ..... D14/230                 |
|  | D840,981 S *      | 2/2019  | Forster ..... D14/230                |
| (21) Appl. No.: <b>29/622,051</b>  | D840,982 S *      | 2/2019  | Forster ..... D14/230                |
|  | D840,985 S *      | 2/2019  | Forster ..... D14/230                |
| (22) Filed: <b>Oct. 13, 2017</b>   | 2002/0003499 A1 * | 1/2002  | Kouam ..... H01Q 1/243<br>343/700 MS |
|  | 2003/0210200 A1 * | 11/2003 | McConnell ..... H01Q 1/38<br>343/795 |

**Related U.S. Application Data**

(63) Continuation-in-part of application No. 29/576,068, filed on Aug. 31, 2016, now Pat. No. Des. 820,241.

(51) **LOC (12) Cl.** ..... **14-03**

(52) **U.S. Cl.**  
USPC ..... **D14/230**

(58) **Field of Classification Search**  
USPC ..... D5/15, 25, 29; D12/42-43; D14/138,  
D14/230-238.1, 299, 358  
CPC ..... H01Q 7/00; H01Q 13/10; H01L 33/486;  
H01L 23/02; H05K 5/00; F16L 3/2235;  
F16L 3/227; Y10T 403/7141  
See application file for complete search history.

**References Cited**

**U.S. PATENT DOCUMENTS**

6,650,018 B1 11/2003 Zhao et al.  
6,844,853 B2 1/2005 Tai et al.

\* cited by examiner

*Primary Examiner* — Mark A Goodwin  
*Assistant Examiner* — Benjamin M Weeks  
(74) *Attorney, Agent, or Firm* — Avery Dennison Retail Information Services, LLC

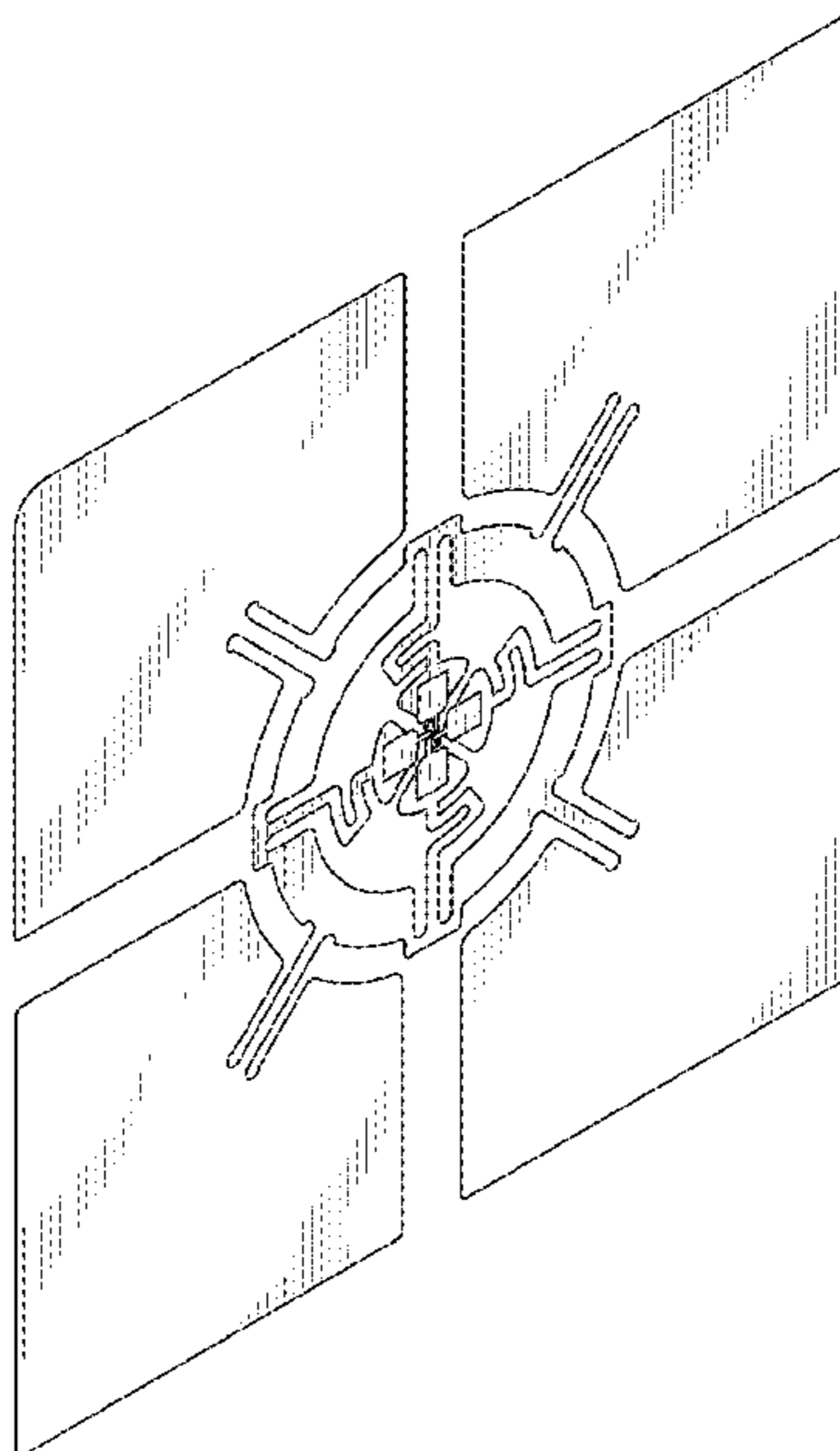
(57) **CLAIM**

The ornamental design for an antenna, as shown and described.

**DESCRIPTION**

FIG. 1 is an isometric view of an antenna, showing my design; and,  
FIG. 2 is a top view of thereof.

**1 Claim, 2 Drawing Sheets**



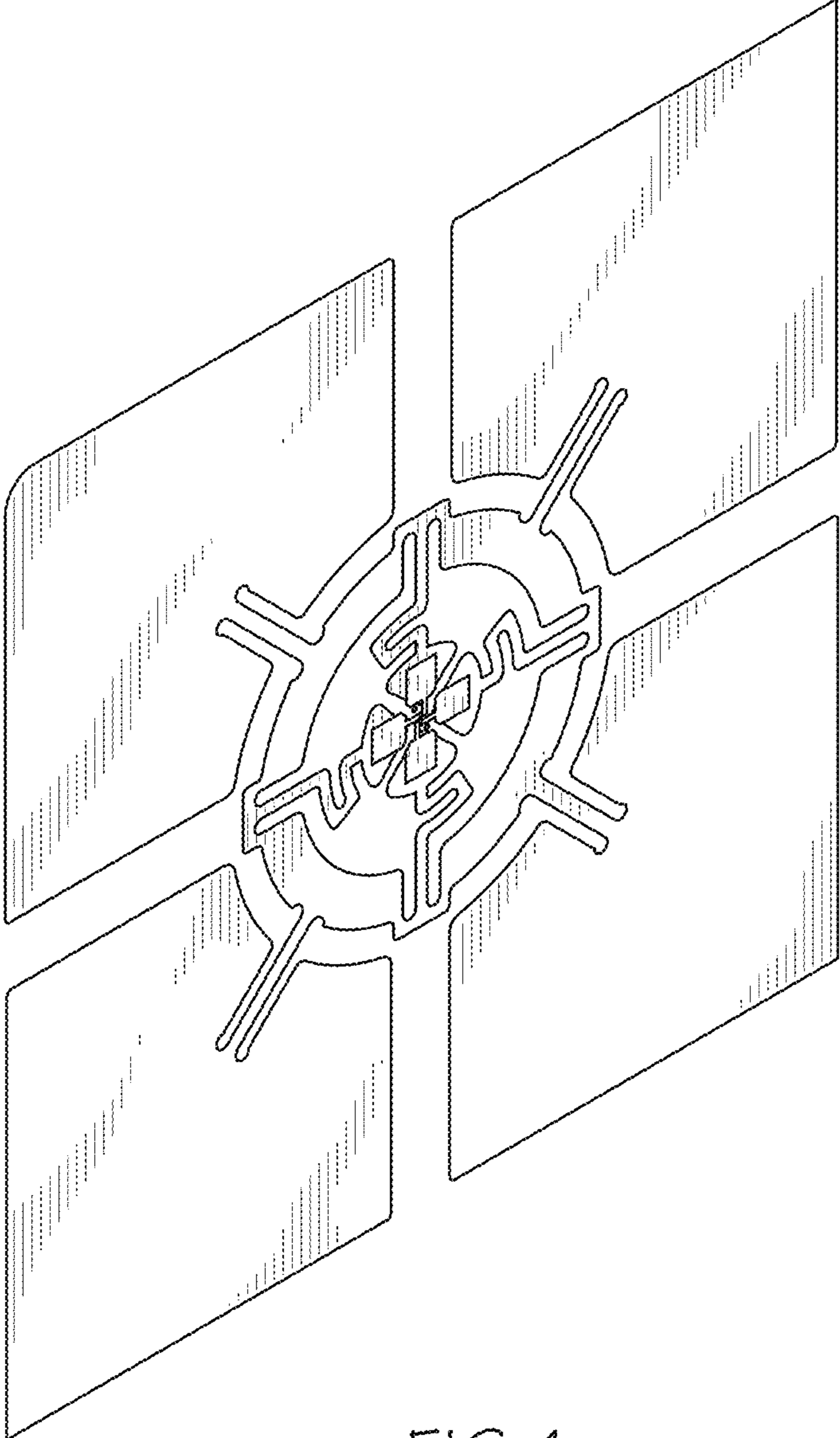


FIG. 1

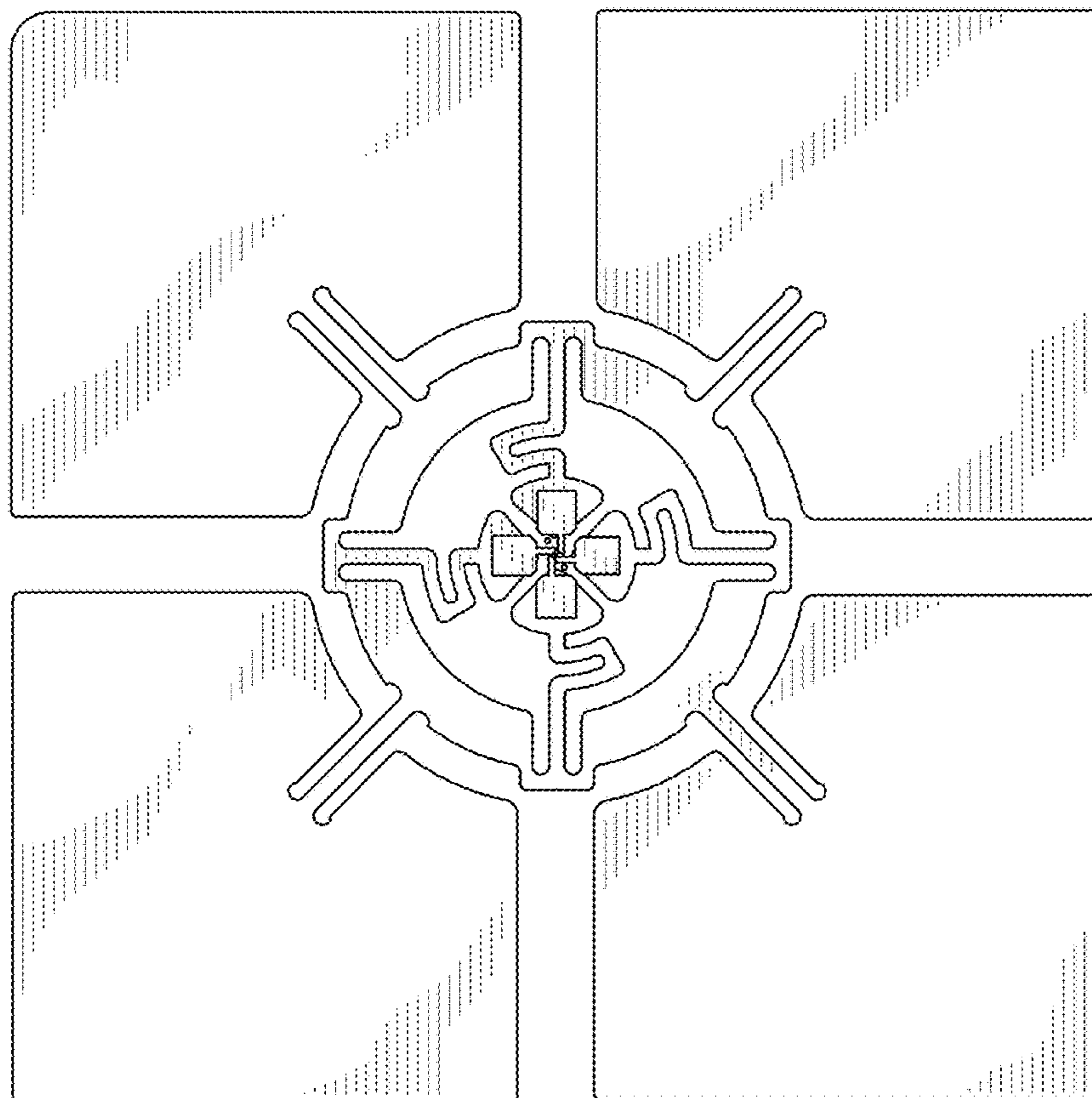


FIG. 2