



US00D864922S

(12) **United States Design Patent**
Mai

(10) **Patent No.:** **US D864,922 S**
(45) **Date of Patent:** **** Oct. 29, 2019**

(54) **MICROPHONE**

(71) Applicant: **SHENZHEN XUNWEIJIA TECHNOLOGY DEVELOPMENT CO., LTD.**, Shenzhen (CN)

(72) Inventor: **Qi-Bin Mai**, Shenzhen (CN)

(73) Assignee: **SHENZHEN XUNWEIJIA TECHNOLOGY DEVELOPMENT CO., LTD.**, Shenzhen (CN)

(**) Term: **15 Years**

(21) Appl. No.: **29/650,500**

(22) Filed: **Jun. 7, 2018**

(51) **LOC (12) Cl.** **14-01**

(52) **U.S. Cl.**
USPC **D14/227**

(58) **Field of Classification Search**
USPC D14/228, 225, 226, 227, 229; D16/244; D17/99; D6/681; 248/125.1, 166, 185.1; 381/361, 363, 362, 365, 366, 355, 375, 381/359, 369; 379/428.1, 428.04, 431, 379/433.03

CPC . H04R 25/00; H04R 1/02; H04R 5/02; H04R 9/08; F16M 11/10; F16M 13/00
See application file for complete search history.

(56) **References Cited**

U.S. PATENT DOCUMENTS

D179,540 S *	1/1957	Knechtsberger	248/185.1
D194,151 S *	11/1962	Deschamps	D14/228
D233,669 S *	11/1974	Plice	D14/228
D412,708 S *	8/1999	Okon	D14/228
6,007,032 A *	12/1999	Kuo	F16M 11/10 248/125.1
6,109,573 A *	8/2000	Liao	F16M 11/10 248/170
6,219,429 B1 *	4/2001	Chung	H04R 1/08 248/324

D448,364 S *	9/2001	Chung	D14/228
D457,876 S *	5/2002	Chung	D14/228
D469,278 S *	1/2003	Lippert	D17/13
D594,856 S *	6/2009	Marshall	D14/228
7,703,733 B2 *	4/2010	Price	F16M 11/2064 248/276.1
D643,024 S *	8/2011	Goodman	D14/227
D643,230 S *	8/2011	Hepeng	D6/708.25
D673,204 S *	12/2012	Bae	D16/244
D687,421 S *	8/2013	Slaton	D14/229
D704,486 S *	5/2014	Cho	D6/701
8,960,632 B2 *	2/2015	Fallows	F16M 11/2092 248/276.1
D746,797 S *	1/2016	Chen	D14/228
D834,004 S *	11/2018	Chen	D14/226
D835,612 S *	12/2018	Tong	D14/225

(Continued)

Primary Examiner — Paula Allen Greene

(74) *Attorney, Agent, or Firm* — ScienBiziP, P.C.

(57) **CLAIM**

The ornamental design for a microphone, as shown and described.

DESCRIPTION

FIG. 1 is a first perspective view of a microphone, showing my design;

FIG. 2 is a second perspective view thereof;

FIG. 3 is a front elevation view thereof;

FIG. 4 is a rear elevation view thereof;

FIG. 5 is a left side elevation view thereof;

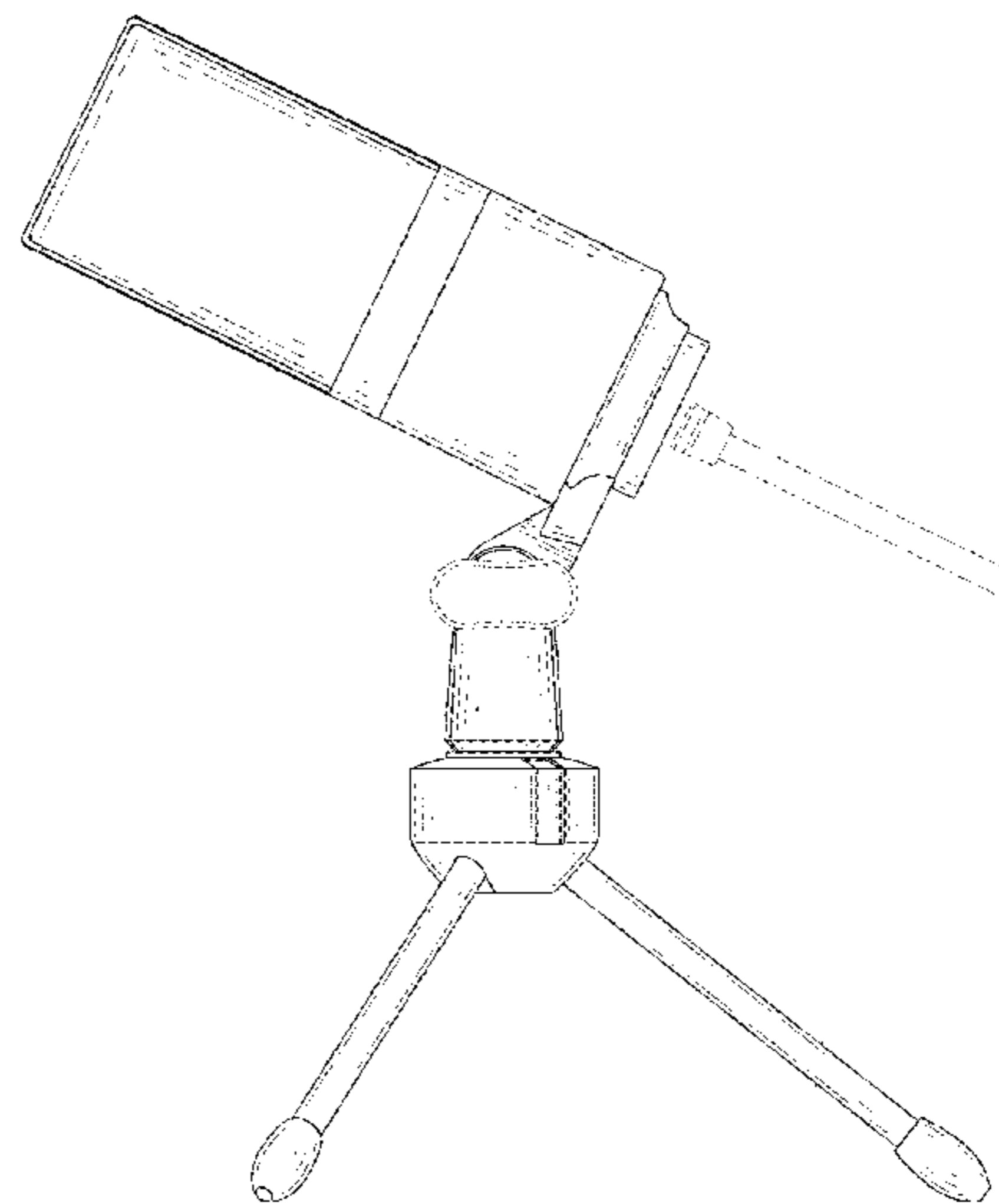
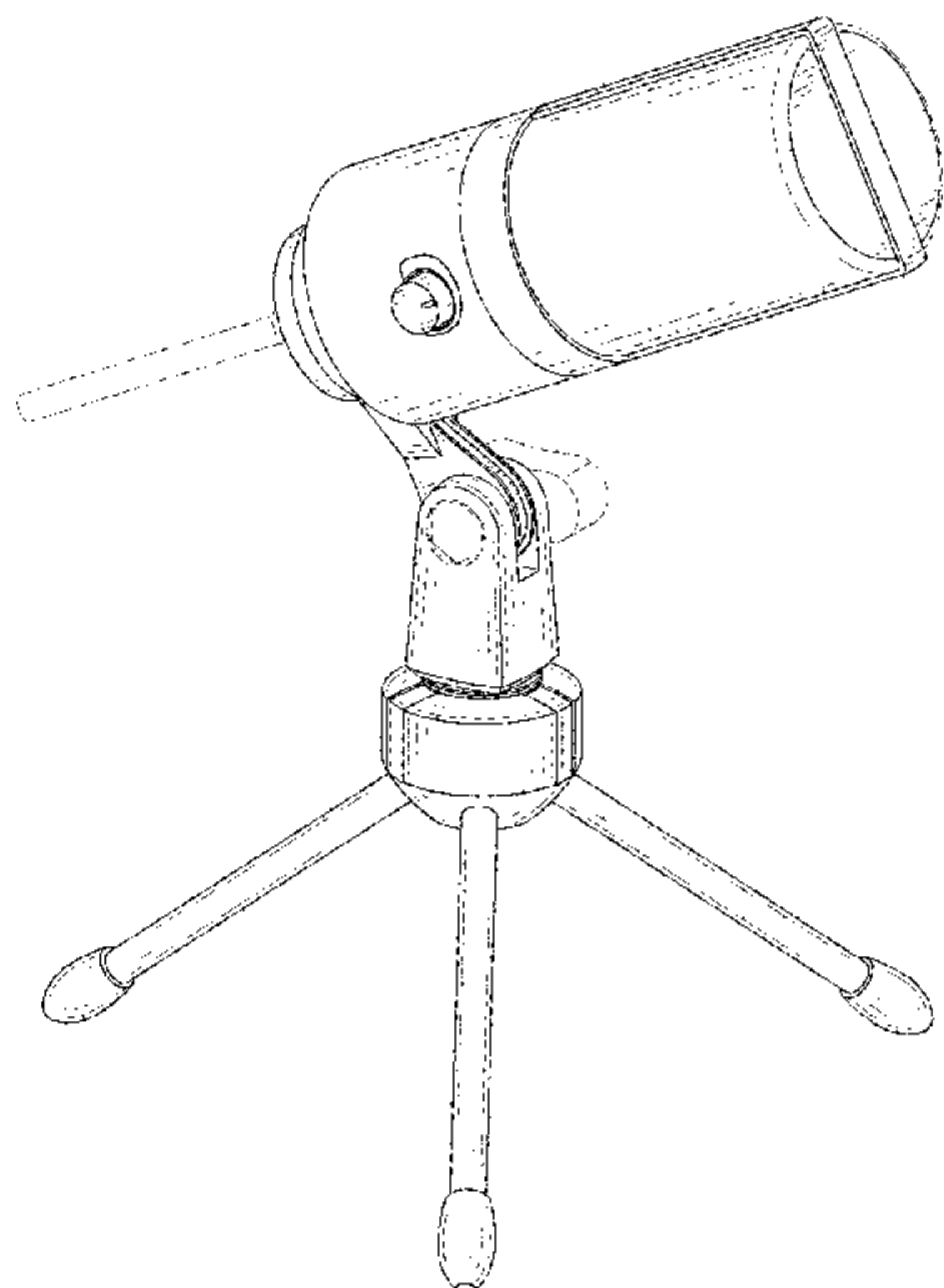
FIG. 6 is a right side elevation view thereof;

FIG. 7 is a top plan view thereof; and,

FIG. 8 is a bottom plan view thereof.

The broken lines immediately adjacent the shaded areas represent the bounds of the claimed design while all other broken lines are directed to environment and are for illustrative purposes only; the broken lines form no part of the claimed designs to be patented.

1 Claim, 8 Drawing Sheets



(56)

References Cited

U.S. PATENT DOCUMENTS

D836,090	S	*	12/2018	Li	D14/227
D839,856	S	*	2/2019	Chen	D14/228
D842,278	S	*	3/2019	Tong	D14/227
D848,404	S	*	5/2019	Chen	D14/227
D849,721	S	*	5/2019	Chen	D14/227
D850,423	S	*	6/2019	Chen	D14/227
D851,073	S	*	6/2019	Tong	D14/227

* cited by examiner

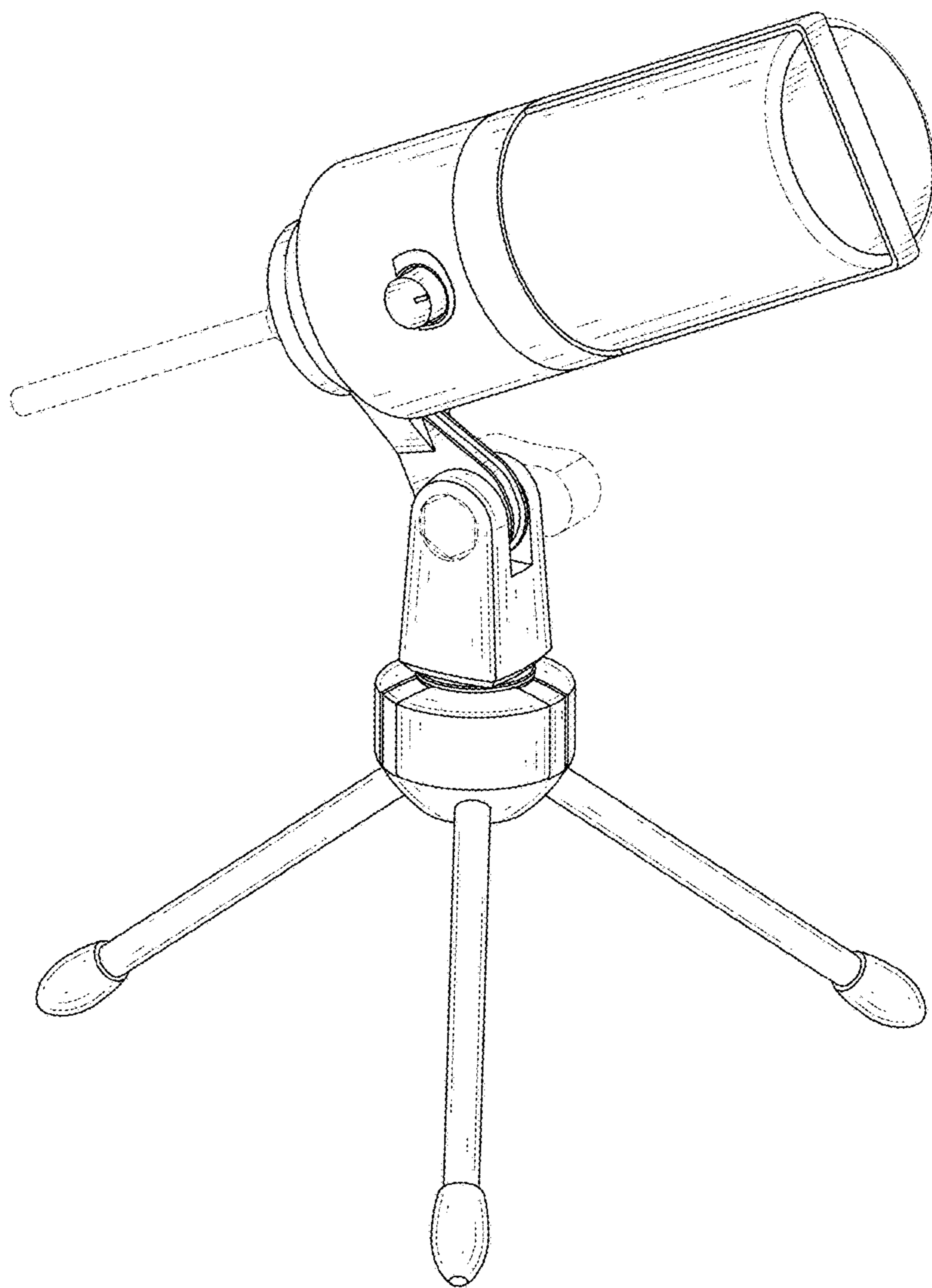


FIG. 1

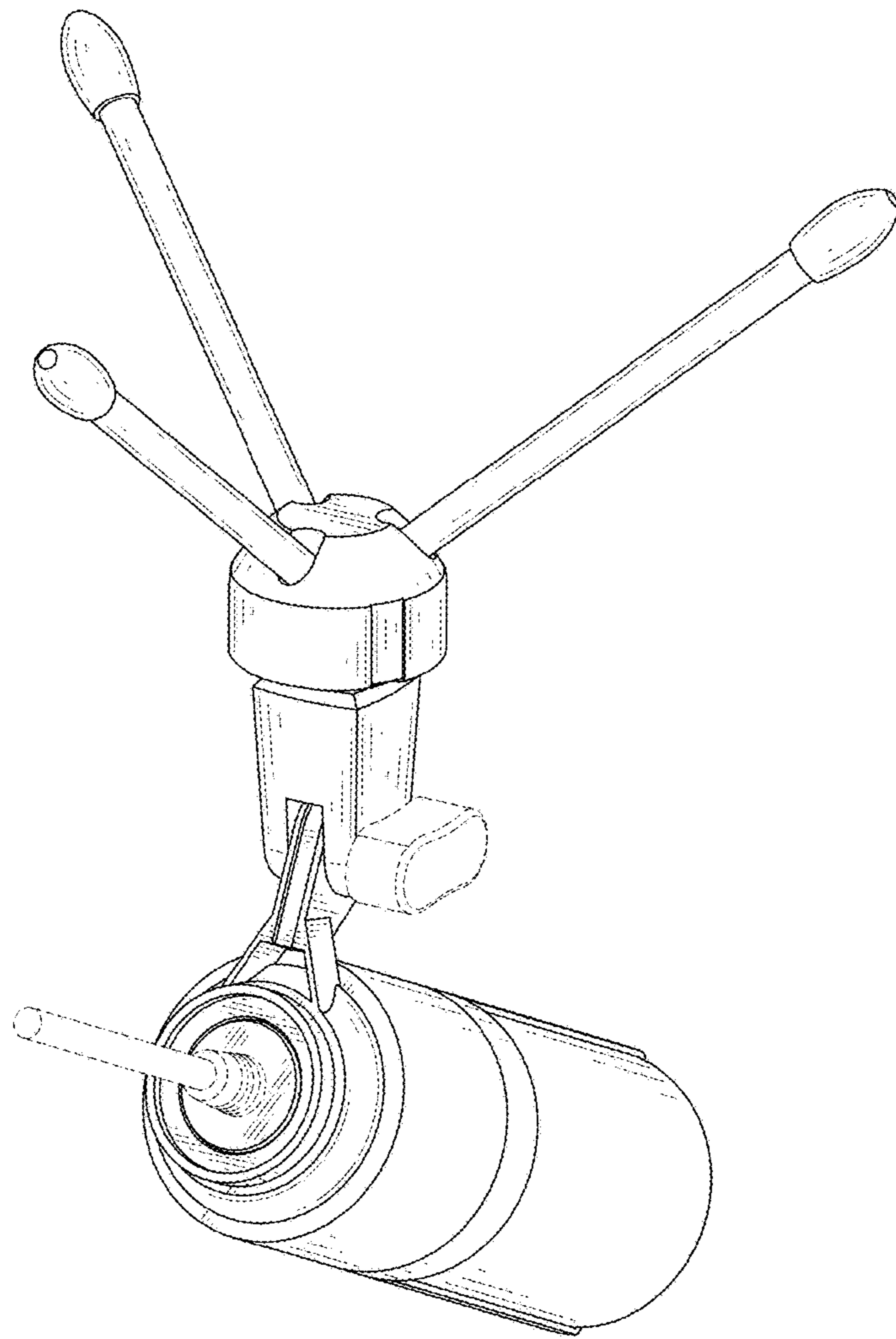


FIG. 2

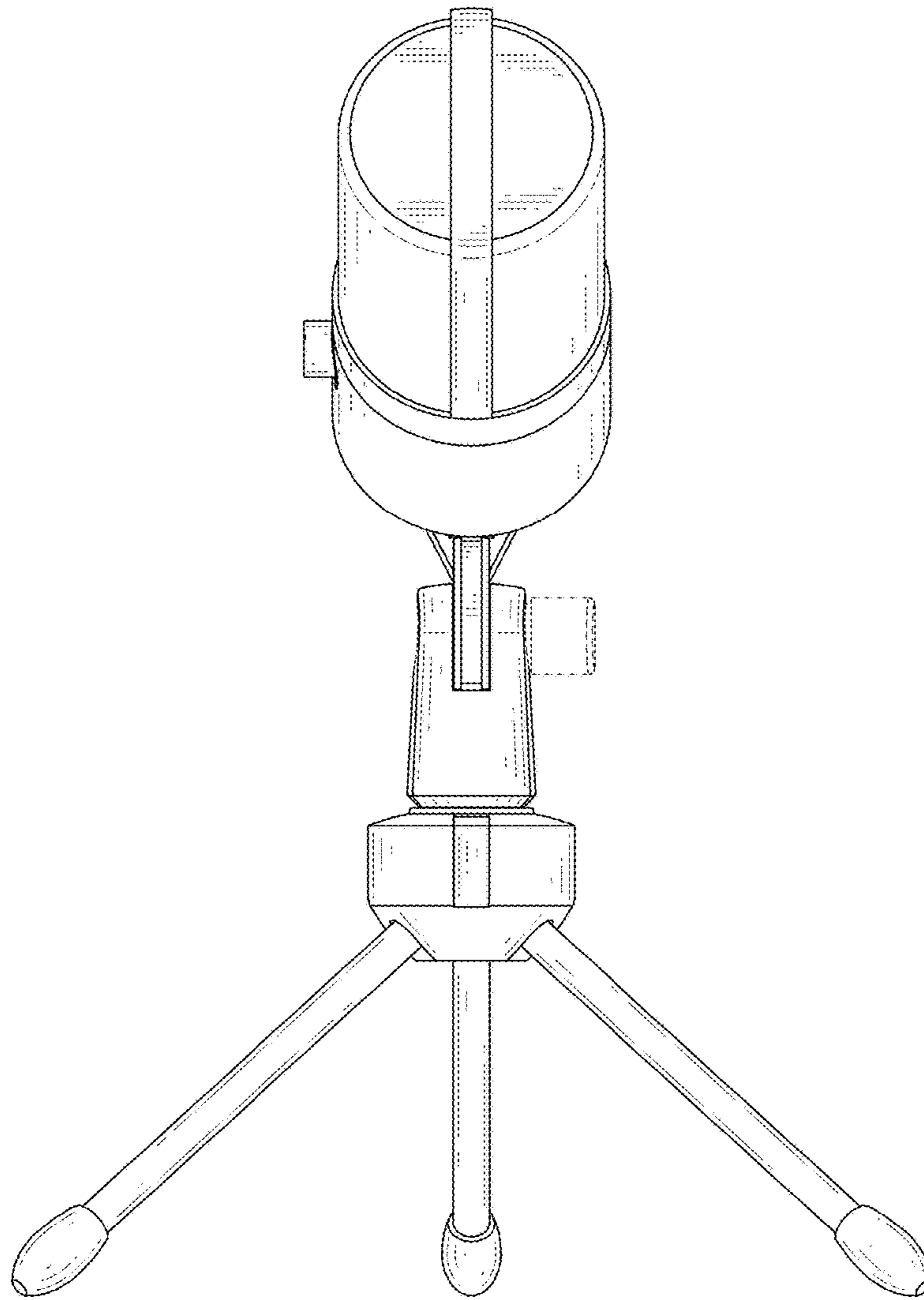


FIG. 3

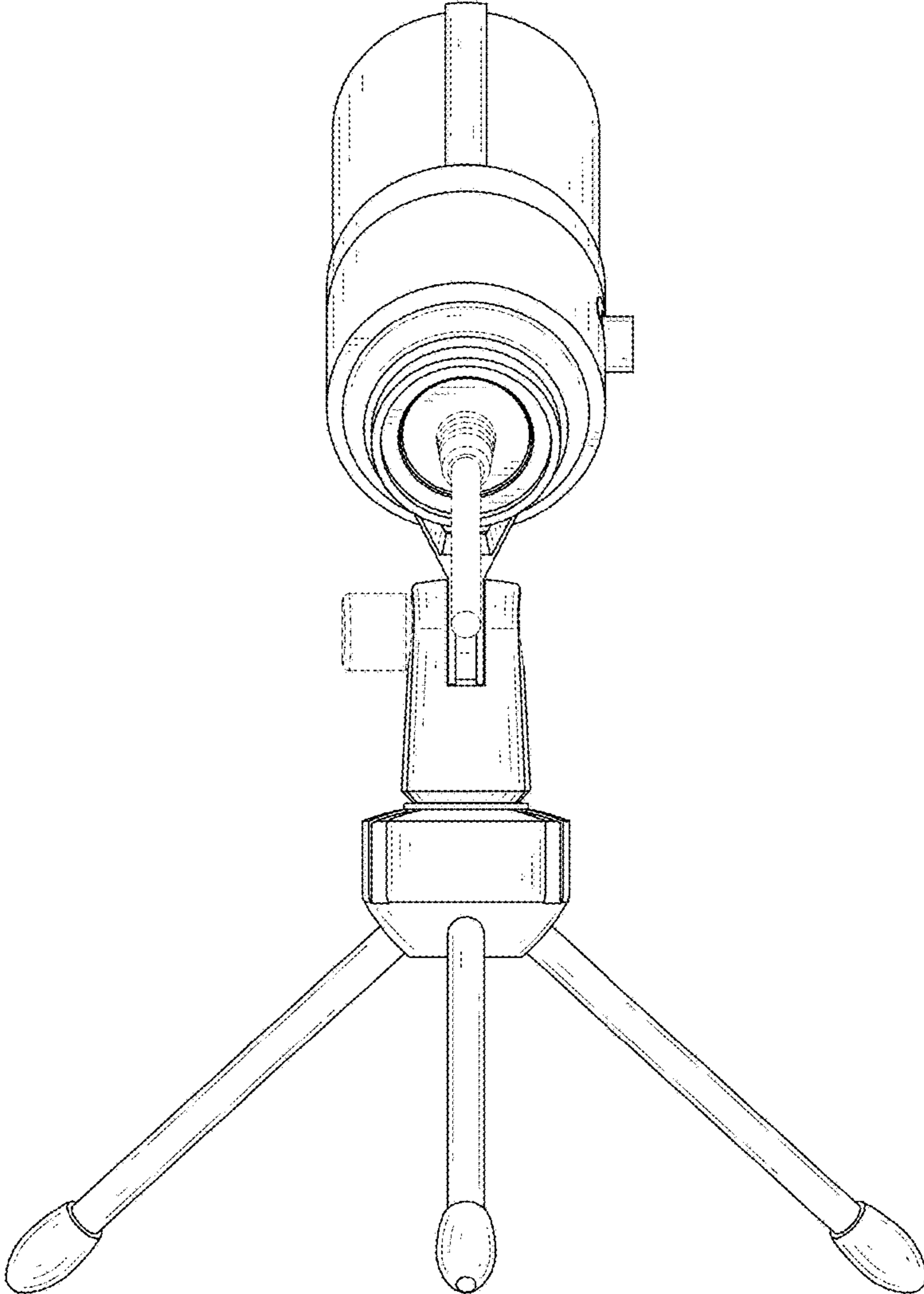


FIG. 4

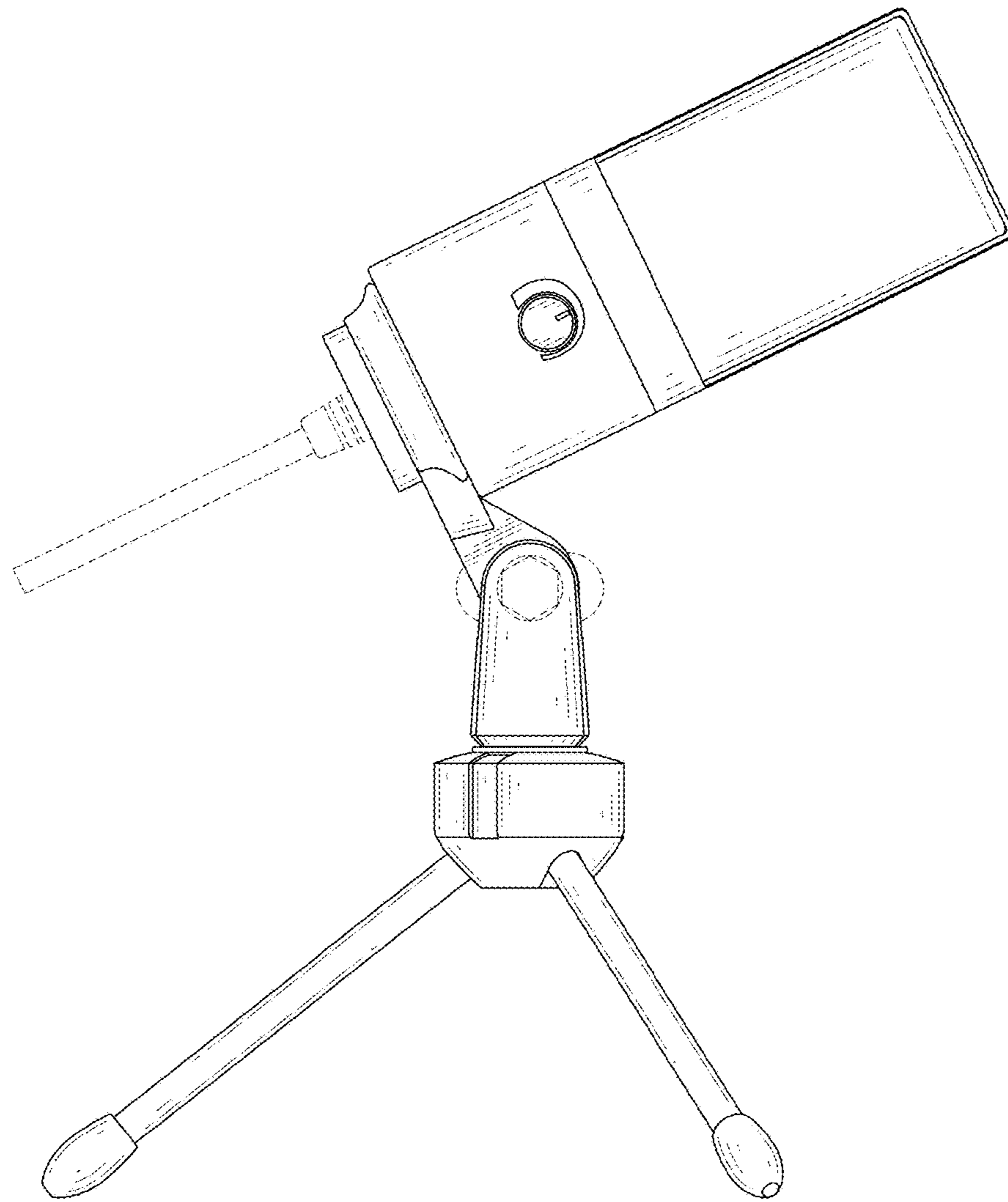


FIG. 5

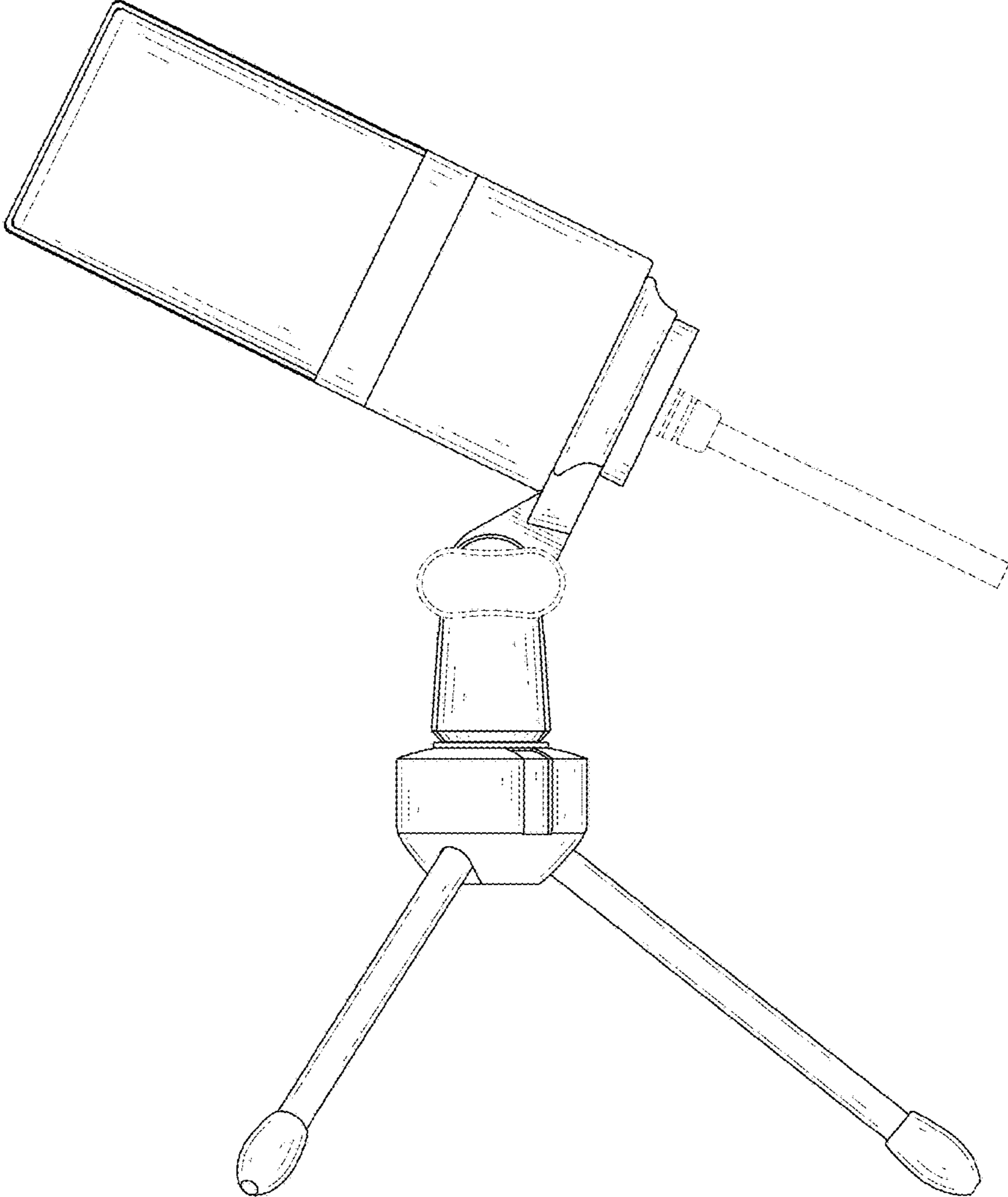


FIG. 6

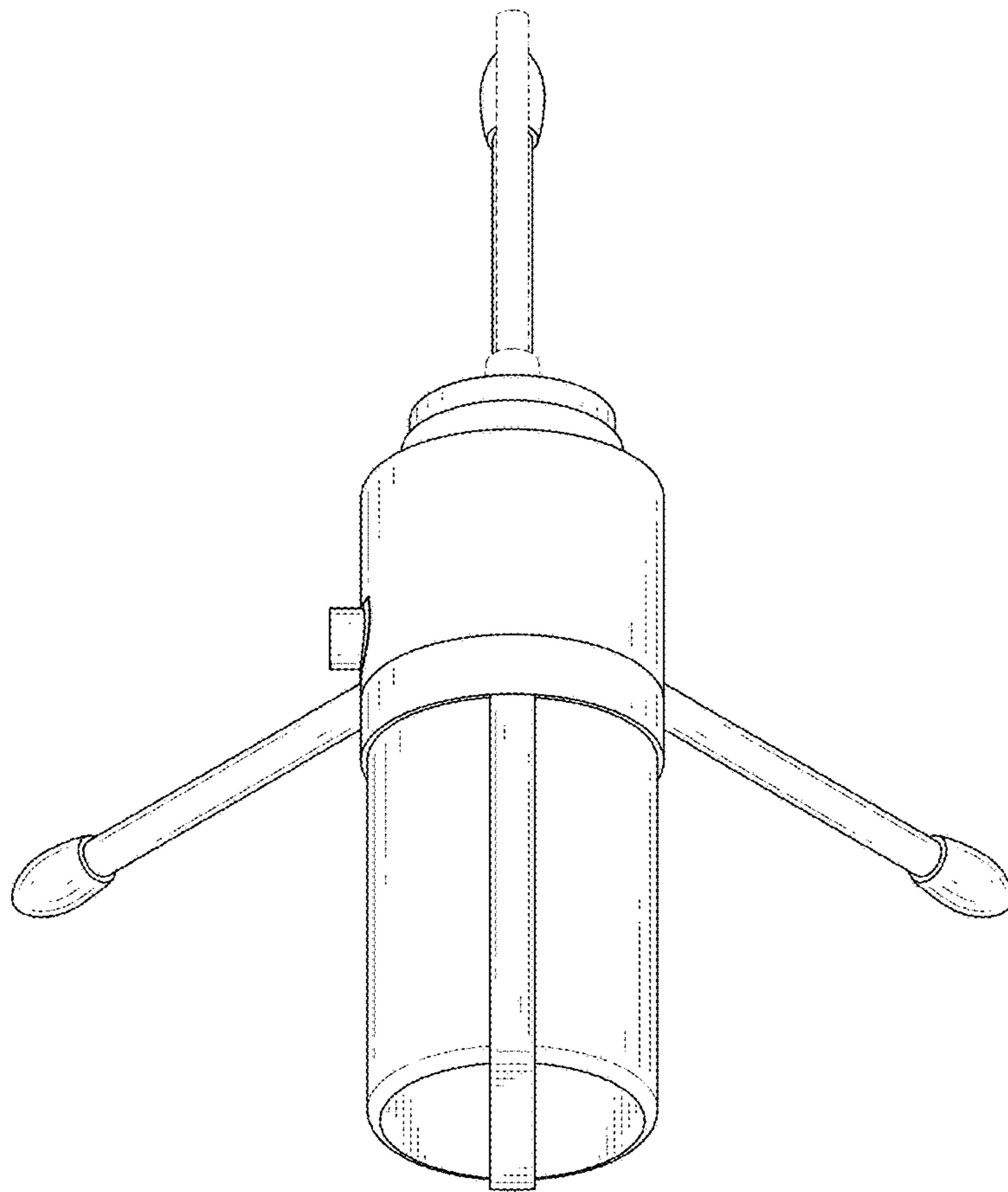


FIG. 7

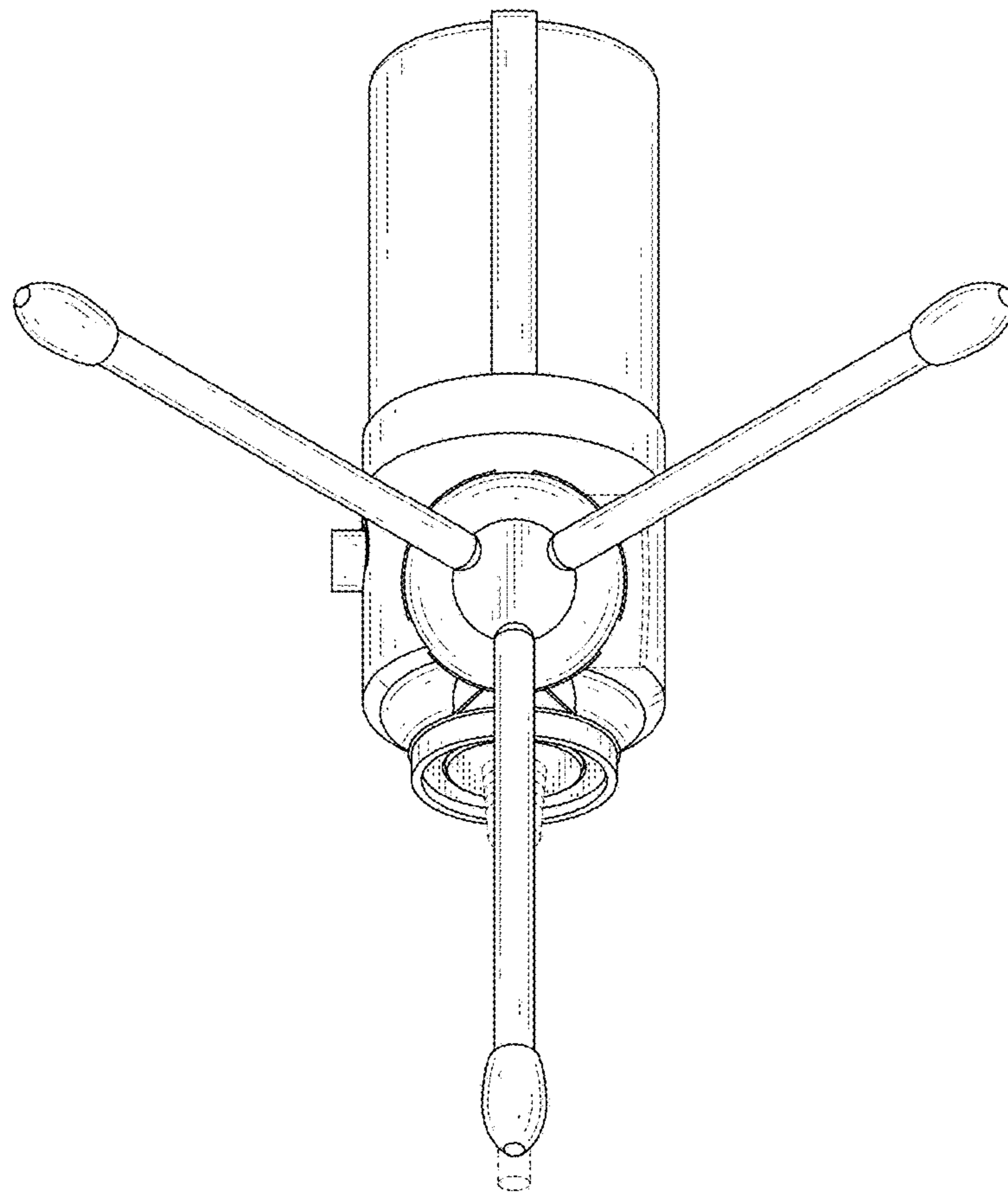


FIG. 8