

US00D864921S

(12) **United States Design Patent**  
**Mai**

(10) **Patent No.:** **US D864,921 S**  
(45) **Date of Patent:** **\*\* Oct. 29, 2019**

- (54) **MICROPHONE**
- (71) Applicant: **SHENZHEN XUNWEIJIA TECHNOLOGY DEVELOPMENT CO., LTD.,** Shenzhen (CN)
- (72) Inventor: **Qi-Bin Mai,** Shenzhen (CN)
- (73) Assignee: **SHENZHEN XUNWEIJIA TECHNOLOGY DEVELOPMENT CO., LTD.,** Shenzhen (CN)
- (\*\*) Term: **15 Years**
- (21) Appl. No.: **29/650,499**
- (22) Filed: **Jun. 7, 2018**
- (51) **LOC (12) Cl.** ..... **14-01**
- (52) **U.S. Cl.**  
USPC ..... **D14/227**
- (58) **Field of Classification Search**  
USPC ..... D14/228, 225, 226, 227, 229; D16/244; D17/99; D6/681, 708, 25, 682.3, 681.3; 248/125.1, 166, 185.1; 381/361, 363, 381/362, 365, 366, 355, 375, 359, 369; 379/428.04, 431, 433.03; 455/95  
CPC ..... H04R 25/00; H04R 9/08; H04R 19/04; H04R 1/02; H04R 5/02; F16M 13/00; F16M 11/38; F16M 11/10  
See application file for complete search history.

- (56) **References Cited**  
**U.S. PATENT DOCUMENTS**  
1,688,148 A \* 10/1928 Martin ..... B60Q 7/00 211/86.01  
2,776,462 A \* 1/1957 Burroughs ..... H04R 1/08 248/122.1  
D183,114 S \* 7/1958 Burroughs ..... D14/228  
3,153,123 A \* 10/1964 Harman ..... H04R 1/08 248/414  
D213,567 S \* 3/1969 Kahn ..... D14/228

- 3,452,955 A \* 7/1969 Hartwig ..... H04R 1/08 248/229.26
- 3,924,083 A \* 12/1975 Hagey ..... H04R 1/08 248/596
- D247,707 S \* 4/1978 Armstrong ..... D14/228
- 4,344,184 A \* 8/1982 Edwards ..... H04B 1/04 343/702
- D268,458 S \* 4/1983 Schoenig ..... D16/244
- D277,852 S \* 3/1985 Watson ..... D14/228
- 4,633,045 A \* 12/1986 Bartlett ..... H04R 1/38 381/345
- 4,671,479 A \* 6/1987 Johnson ..... F16M 11/16 248/173
- 4,694,499 A \* 9/1987 Bartlett ..... H04R 1/38 381/160
- D296,099 S \* 6/1988 Kubota ..... D14/227
- D302,158 S \* 7/1989 Kubota ..... D14/225

(Continued)

*Primary Examiner* — Paula Allen Greene  
(74) *Attorney, Agent, or Firm* — ScienBiziP, P.C.

(57) **CLAIM**

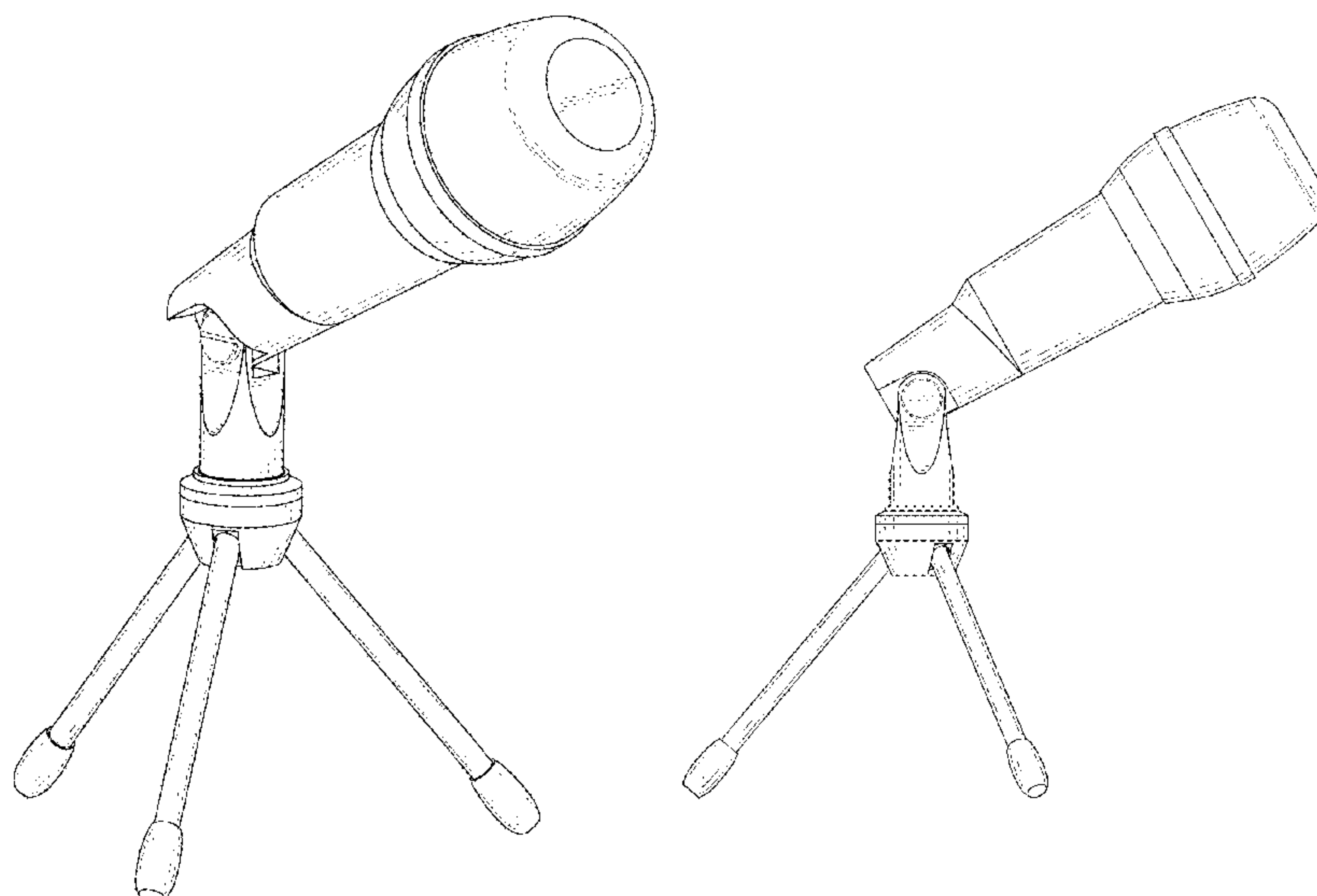
The ornamental design for a microphone, as shown and described.

**DESCRIPTION**

FIG. 1 is a first perspective view of a microphone, showing my design;  
FIG. 2 is a second perspective view thereof;  
FIG. 3 is a front elevation view thereof;  
FIG. 4 is a rear elevation view thereof;  
FIG. 5 is a left side elevation view thereof;  
FIG. 6 is a right side elevation view thereof;  
FIG. 7 is a top plan view thereof; and,  
FIG. 8 is a bottom plan view thereof.

The broken lines immediately adjacent the shaded areas represent the bounds of the claimed design while all other broken lines are directed to environment and are for illustrative purposes only; the broken lines form no part of the claimed designs to be patented.

**1 Claim, 8 Drawing Sheets**



(56)

References Cited

U.S. PATENT DOCUMENTS

D302,819 S \* 8/1989 Kubota ..... D14/228  
 D305,026 S \* 12/1989 Wolf ..... D14/229  
 4,910,795 A \* 3/1990 McCowen ..... H04R 1/04  
 455/95  
 D310,368 S \* 9/1990 Derhaag ..... D14/225  
 5,154,382 A \* 10/1992 Hoshino ..... F16C 11/103  
 248/185.1  
 5,706,359 A \* 1/1998 Chang ..... H04R 1/08  
 381/355  
 D412,708 S \* 8/1999 Okon ..... D14/228  
 D415,805 S \* 10/1999 Wygonik ..... D16/244  
 6,007,032 A \* 12/1999 Kuo ..... F16M 11/10  
 248/125.1  
 D435,037 S \* 12/2000 Liu ..... D14/228  
 6,219,429 B1 \* 4/2001 Chung ..... H04R 1/08  
 248/324  
 D444,782 S \* 7/2001 Chung ..... D14/228  
 D448,364 S \* 9/2001 Chung ..... D14/228  
 D449,042 S \* 10/2001 Chung ..... D14/228  
 D457,517 S \* 5/2002 Chung ..... D14/228  
 6,424,724 B1 \* 7/2002 Ming-Cheng ..... H04R 1/08  
 381/355  
 6,463,159 B1 \* 10/2002 Ming-Cheng ..... H04R 1/08  
 381/355  
 D475,039 S \* 5/2003 Thornton ..... D14/228  
 D475,699 S \* 6/2003 Thornton ..... D14/228  
 6,597,796 B2 \* 7/2003 Chang ..... H04R 1/08  
 338/178

6,643,159 B2 \* 11/2003 Fricke ..... G11C 5/025  
 257/E21.614  
 6,671,382 B2 \* 12/2003 Chen ..... H01R 35/02  
 381/189  
 6,842,528 B2 \* 1/2005 Kuerti ..... H04R 3/002  
 381/361  
 D504,678 S \* 5/2005 Ruhrig ..... D14/228  
 D507,262 S \* 7/2005 Liu ..... D14/228  
 6,922,475 B2 \* 7/2005 Hsieh ..... H04R 1/08  
 381/361  
 6,968,070 B1 \* 11/2005 Chiang ..... H04R 1/08  
 381/355  
 D529,484 S \* 10/2006 Probst ..... D14/228  
 D530,705 S \* 10/2006 Shen ..... D14/225  
 D533,578 S \* 12/2006 Oka ..... D16/244  
 D548,729 S \* 8/2007 Miller ..... D14/226  
 D557,690 S \* 12/2007 Lee ..... D14/228  
 D563,396 S \* 3/2008 Probst ..... D14/228  
 D579,928 S \* 11/2008 Murata ..... D14/229  
 D585,434 S \* 1/2009 Ganley ..... D14/225  
 7,606,385 B2 \* 10/2009 Akino ..... H04R 1/083  
 381/355  
 D614,609 S \* 4/2010 Arpe ..... D14/225  
 D618,222 S \* 6/2010 Kallas ..... D14/229  
 7,974,429 B2 \* 7/2011 Tsai ..... H04R 1/08  
 381/355  
 D643,024 S \* 8/2011 Goodman ..... D14/227  
 D723,311 S \* 3/2015 Jiang ..... D14/253  
 D746,797 S \* 1/2016 Chen ..... D14/228  
 D751,533 S \* 3/2016 Godfrey ..... D14/228  
 D842,846 S \* 3/2019 Mai ..... D14/225

\* cited by examiner

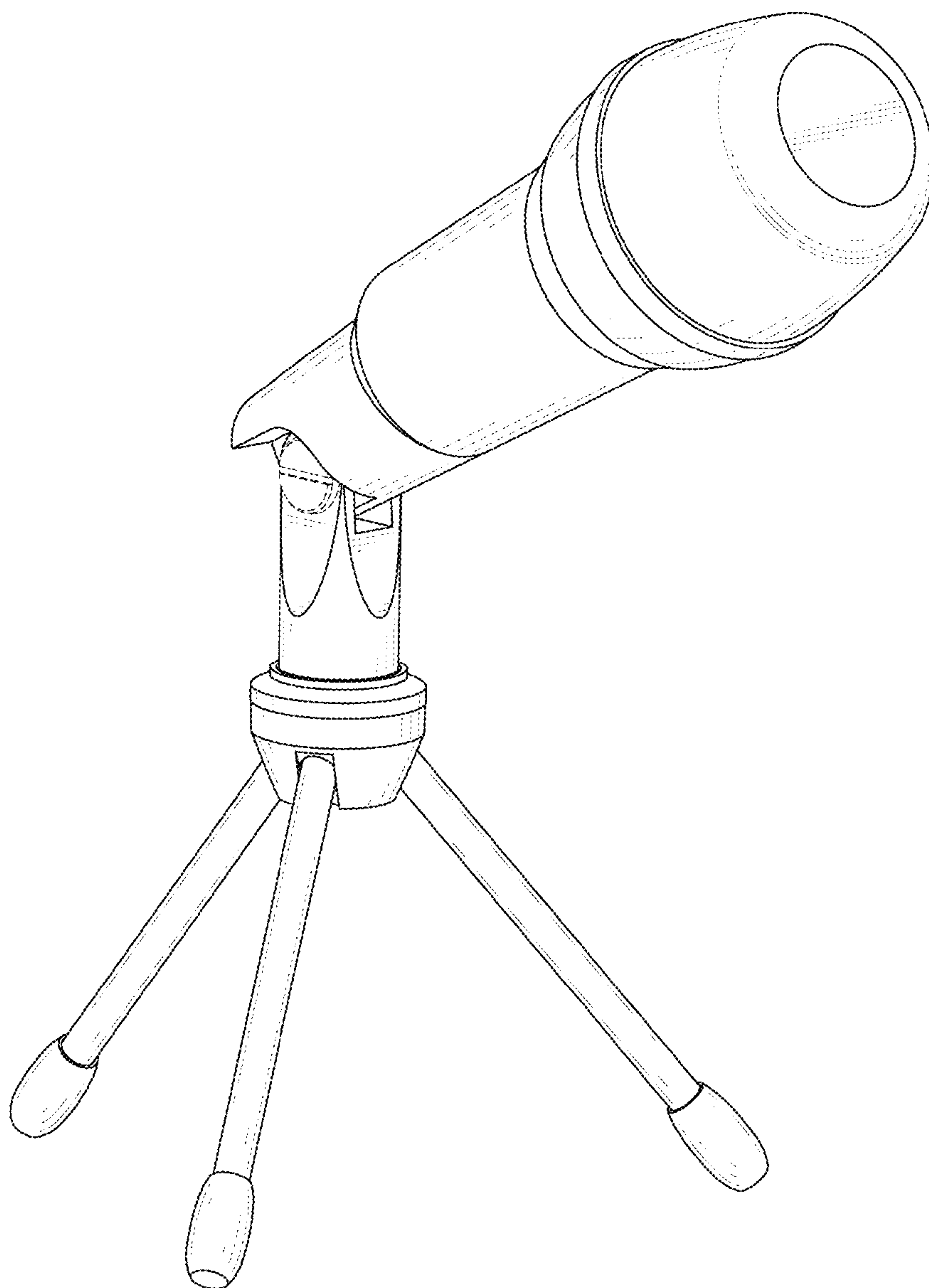


FIG. 1

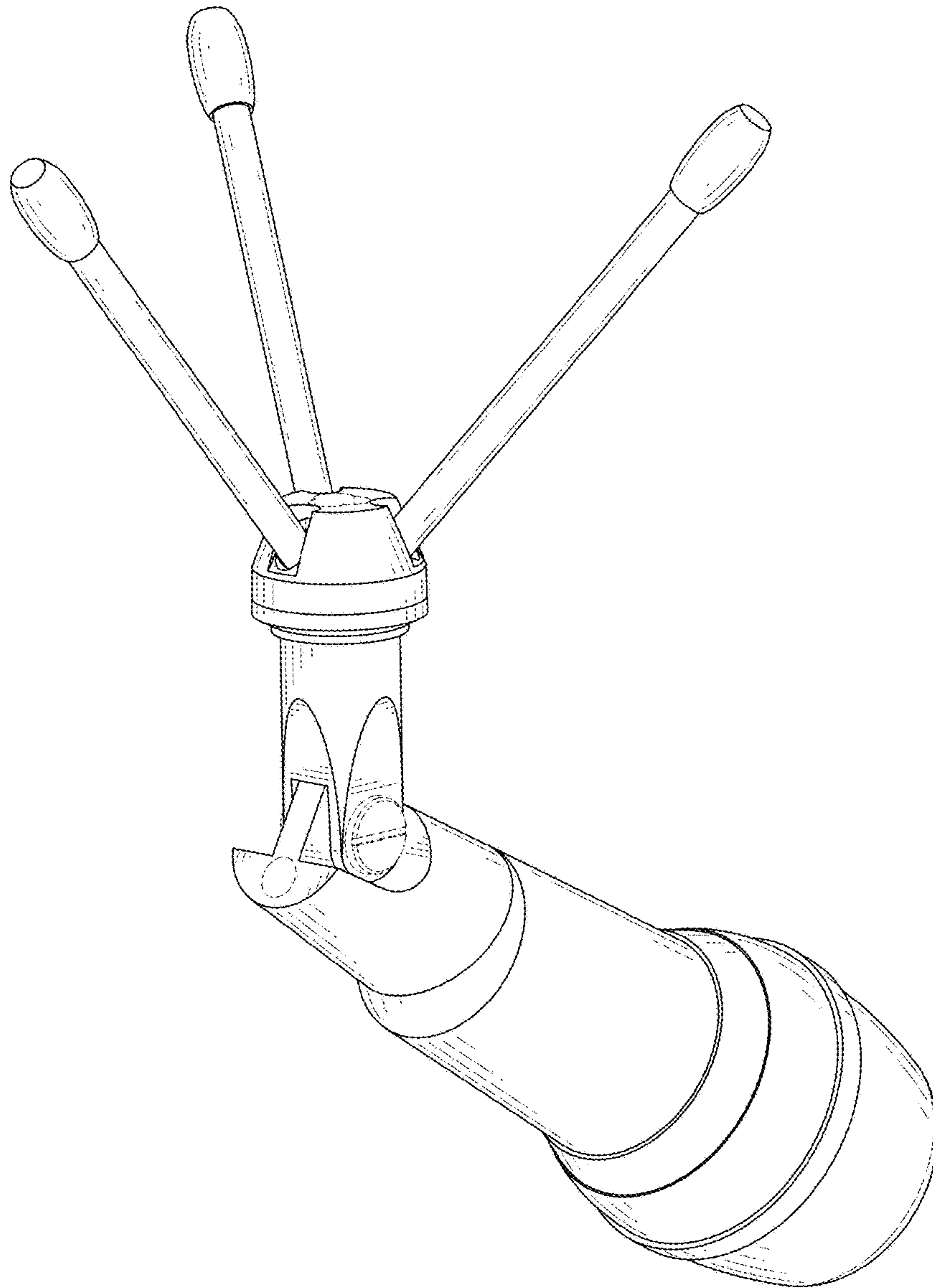


FIG. 2



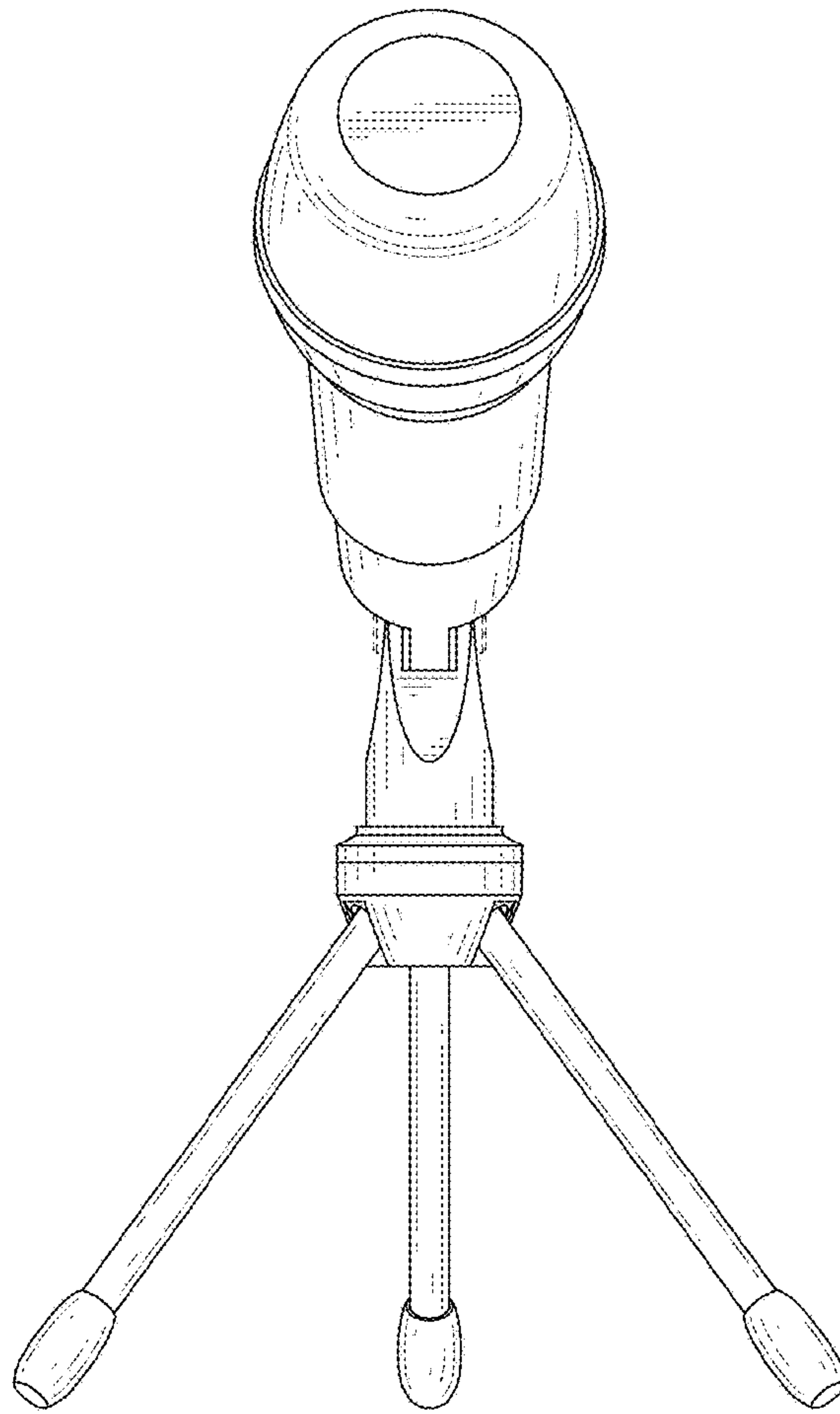


FIG. 3

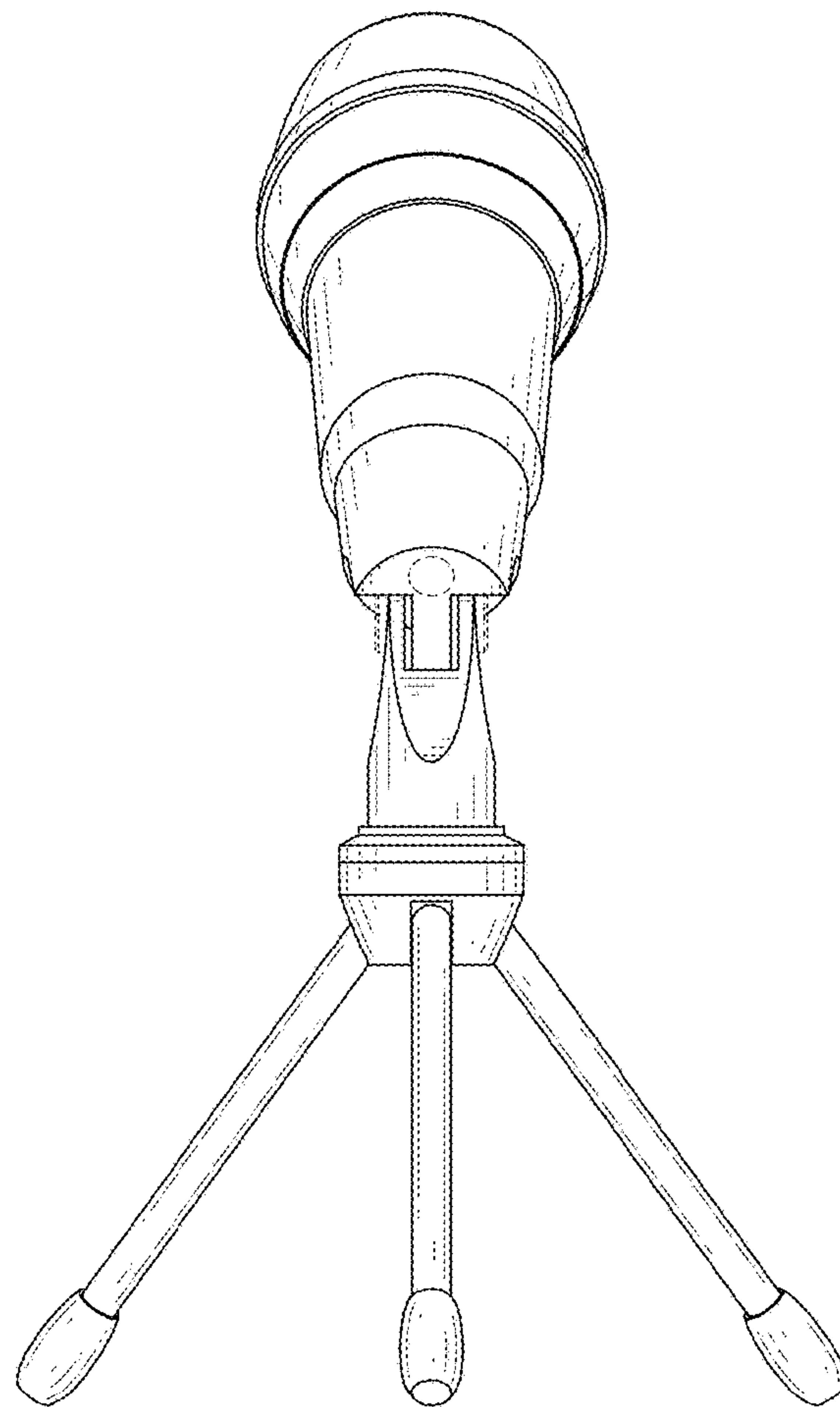


FIG. 4

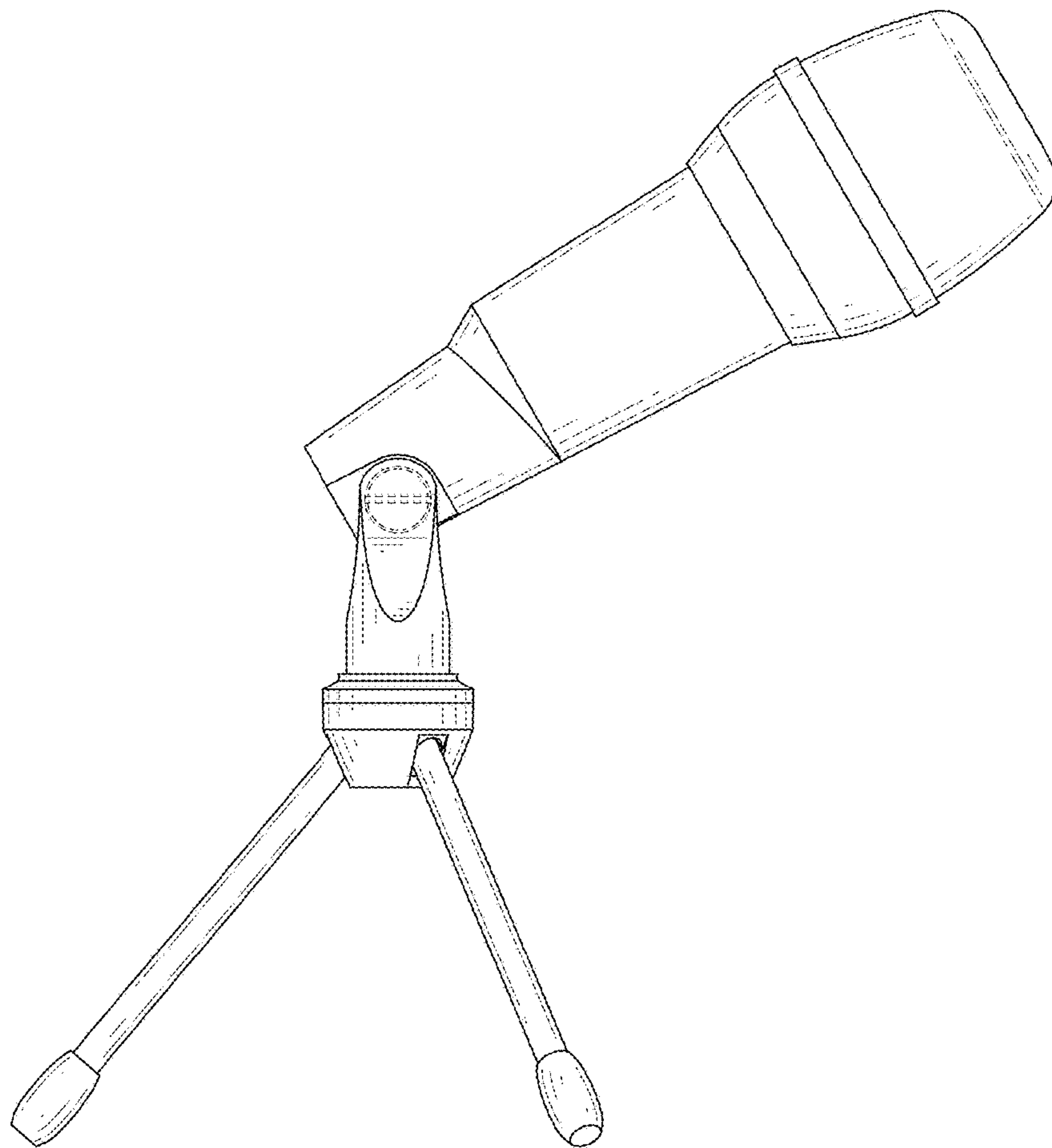


FIG. 5

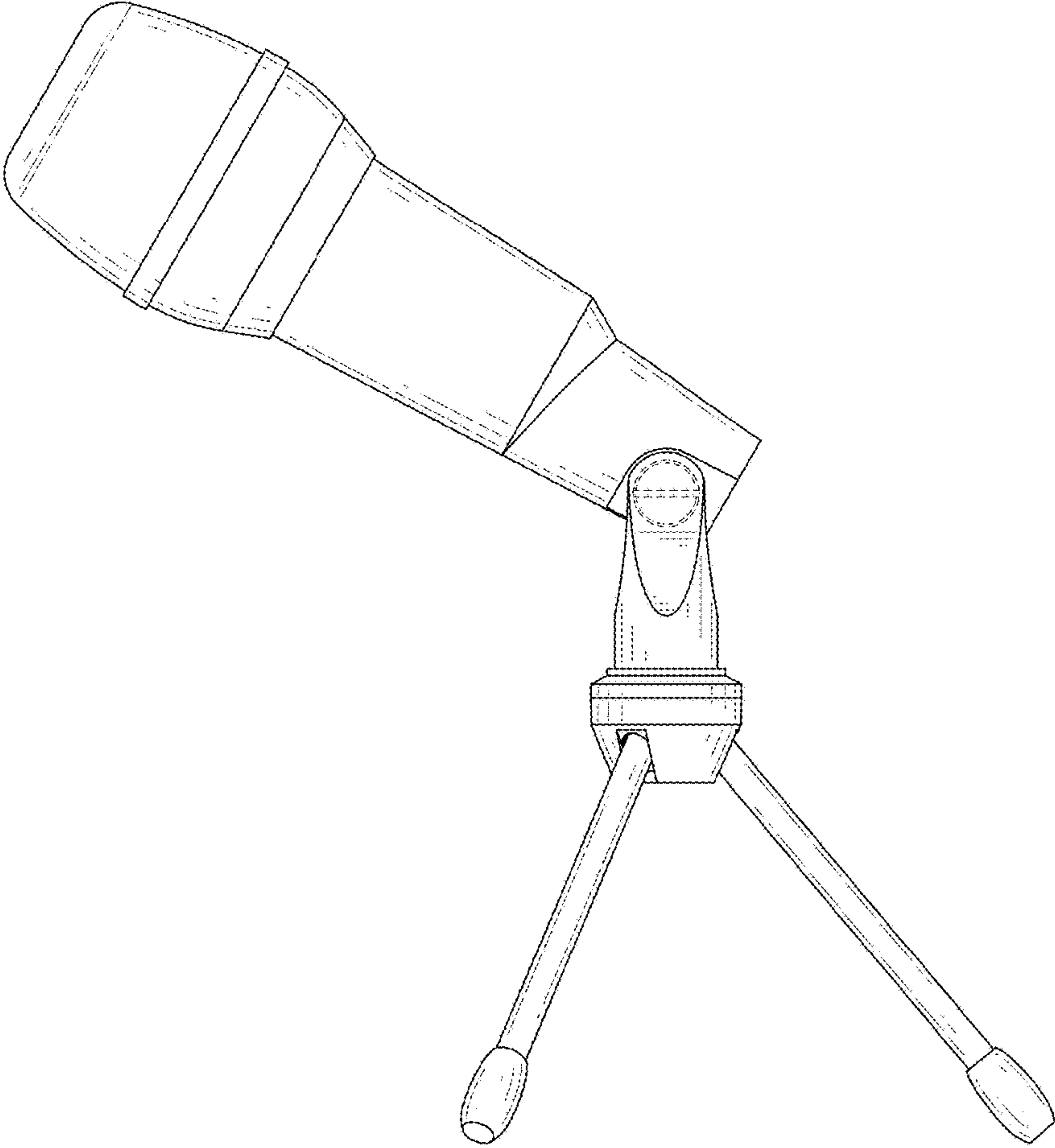


FIG. 6



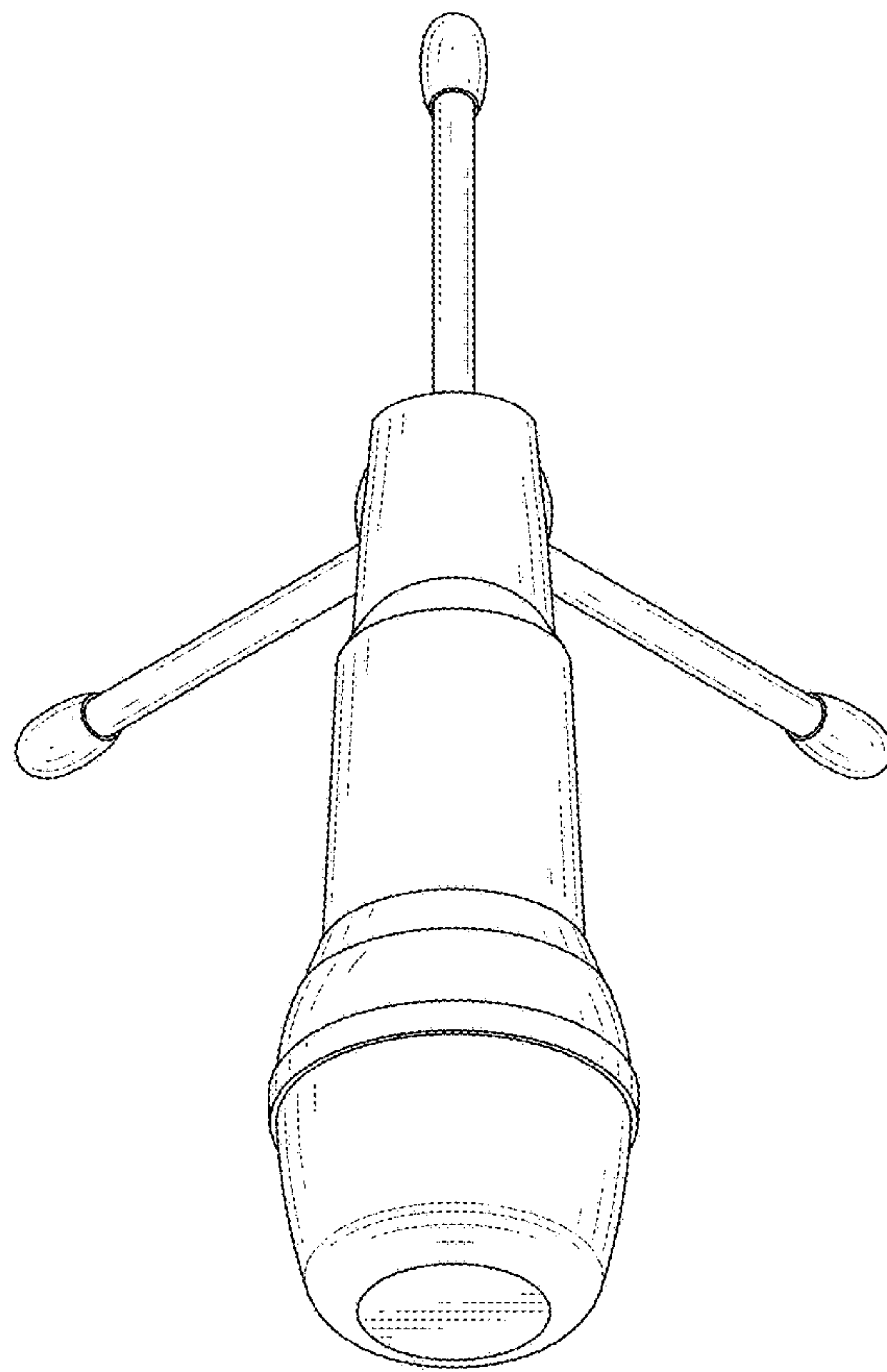


FIG. 7

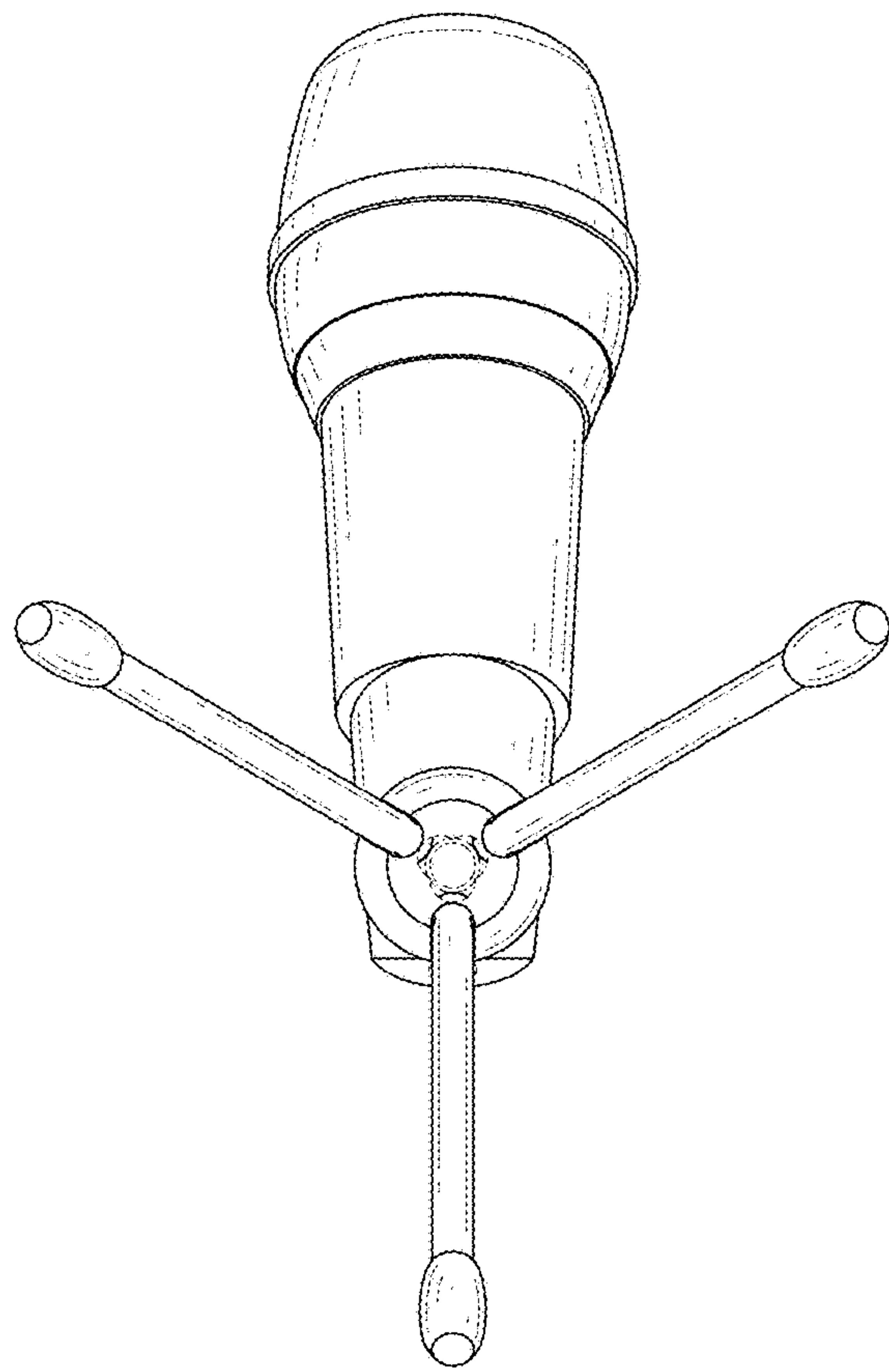


FIG. 8