



US00D864920S

(12) **United States Design Patent** (10) **Patent No.:** **US D864,920 S**
Chong (45) **Date of Patent:** **** Oct. 29, 2019**

(54) **HEADPHONE STAND**

(56) **References Cited**

(71) Applicant: **RAZER (ASIA-PACIFIC) PTE. LTD.,**
Singapore (SG)

U.S. PATENT DOCUMENTS

(72) Inventor: **Boon Sim Chong,** Singapore (SG)

D576,436 S *	9/2008	Provost	D6/526
D628,001 S	11/2010	McGarry et al.		
D632,110 S *	2/2011	Cooper	D6/526
D635,384 S *	4/2011	Yoon	D6/526
D677,503 S *	3/2013	Floyd	D6/526
D690,137 S	9/2013	Kikkert et al.		
D690,969 S *	10/2013	Wilson	D6/682.5
D720,154 S *	12/2014	Provost	D6/526
D730,914 S *	6/2015	Park	D14/447
D737,606 S *	9/2015	King	D6/682
D765,623 S *	9/2016	Yang	D14/224
D772,601 S *	11/2016	Christie	D6/526
D788,080 S *	5/2017	Turksu	D14/224
D789,348 S *	6/2017	Kim	D14/250
D802,328 S *	11/2017	Wortell	D6/526

(73) Assignee: **RAZER (ASIA-PACIFIC) PTE. LTD.,**
Singapore (SG)

(**) Term: **15 Years**

(21) Appl. No.: **29/671,955**

(22) Filed: **Nov. 30, 2018**

* cited by examiner

Related U.S. Application Data

(62) Division of application No. 29/613,207, filed on Aug. 8, 2017.

Primary Examiner — Katie Jane Stofko

(74) *Attorney, Agent, or Firm* — Polsinelli PC

(51) **LOC (12) Cl.** **14-01**

(57) **CLAIM**

(52) **U.S. Cl.**
USPC **D14/224**

I claim the ornamental design for a headphone stand, as shown and described.

(58) **Field of Classification Search**
USPC D14/224-229; D16/244; D17/99;
D6/672, 681, 682; 248/125.1, 166, 185.1;
381/355, 359, 361-363, 365, 366, 369,
381/375; 379/428.01, 428.04, 431,
379/433.03

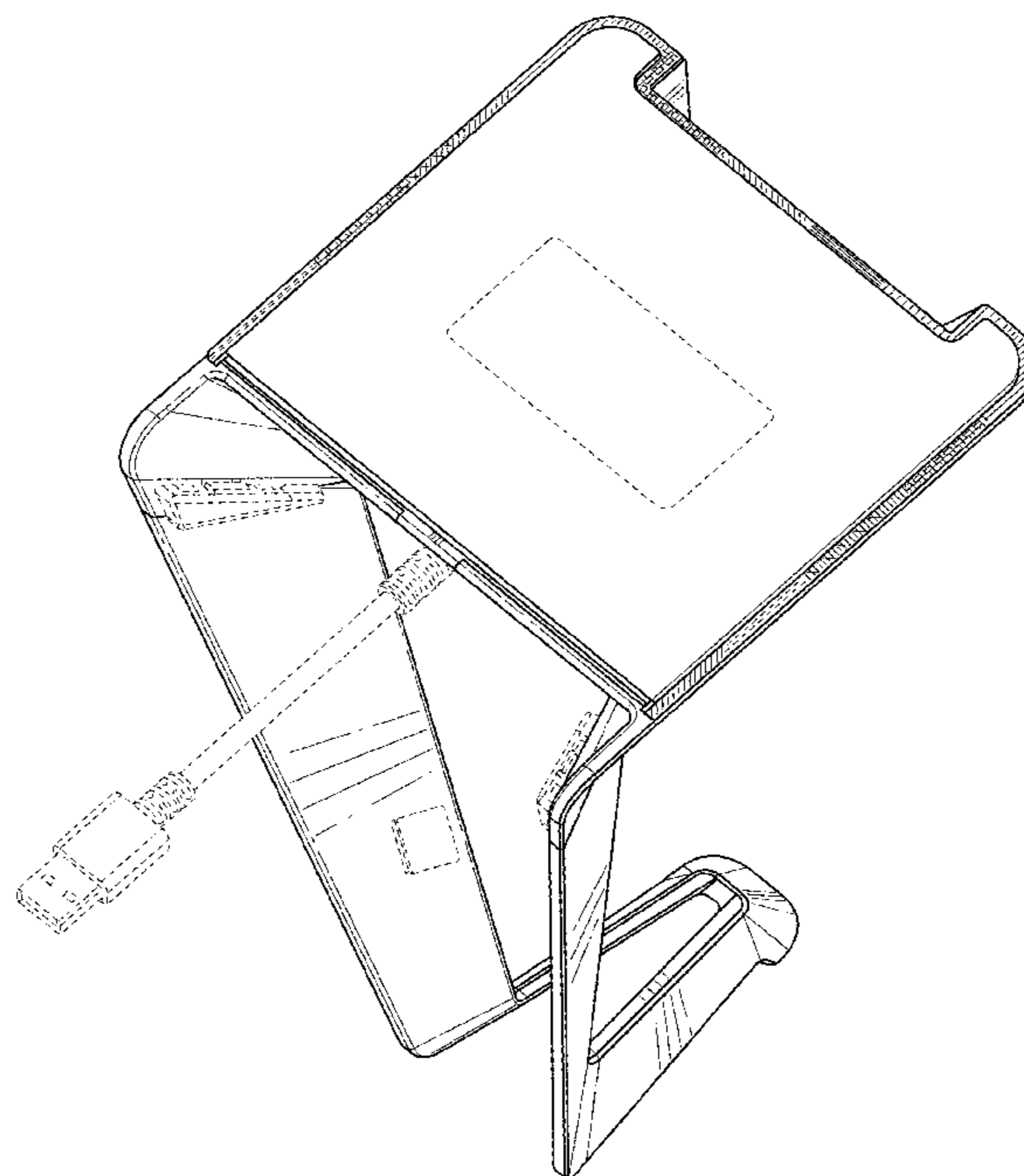
DESCRIPTION

CPC . H04R 25/00; H04R 1/02; H04R 5/02; H04R 9/08; F16M 11/38; F16M 13/00; F16M 11/00

FIG. 1 is a bottom plan view of a headphone stand, showing my new design; and,
FIG. 2 is a bottom, perspective view thereof.
The broken lines depict portions of the headphone stand which form no part of the claimed design.
The cross-hatched areas shown represent areas of color.

See application file for complete search history.

1 Claim, 2 Drawing Sheets



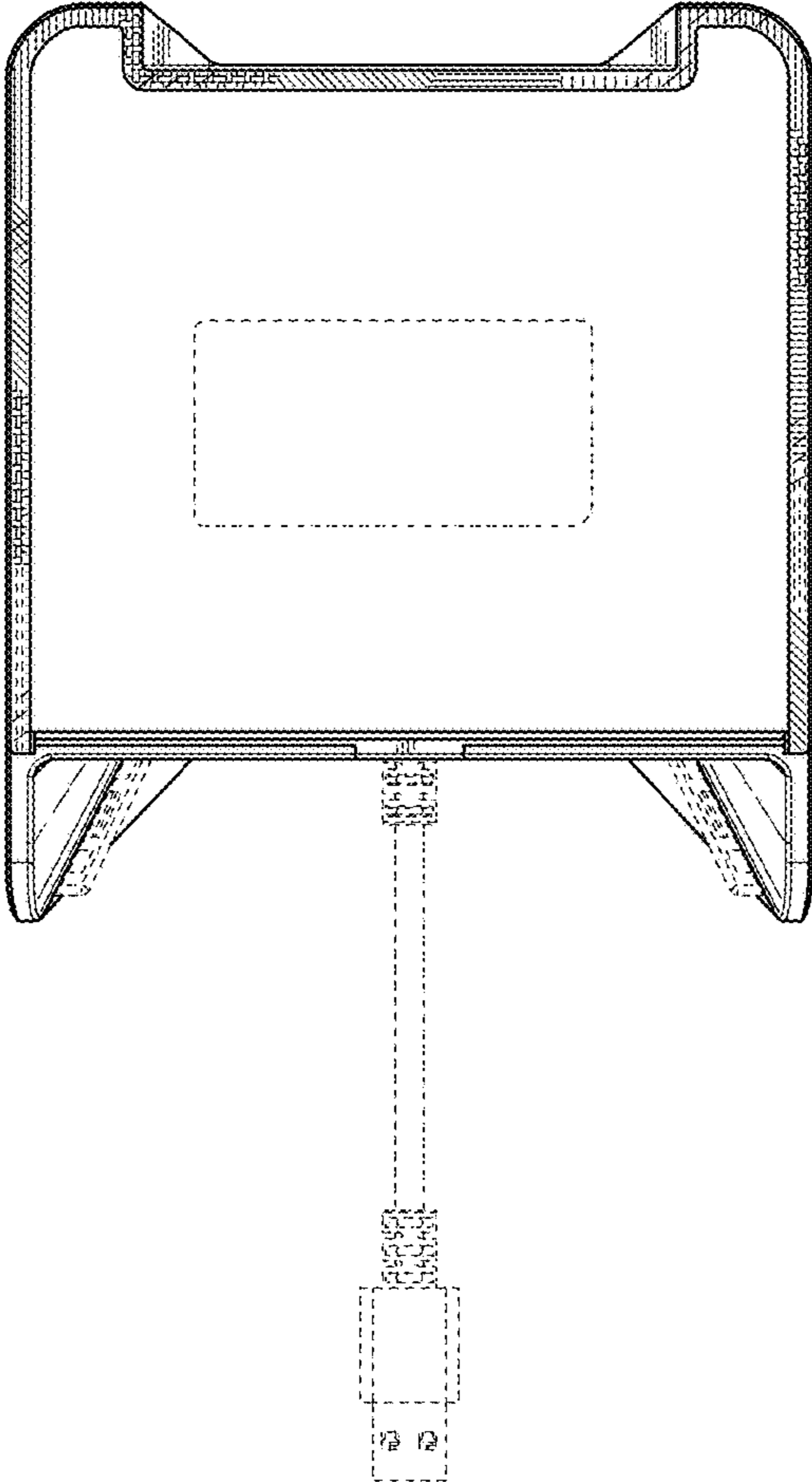


FIG. 1

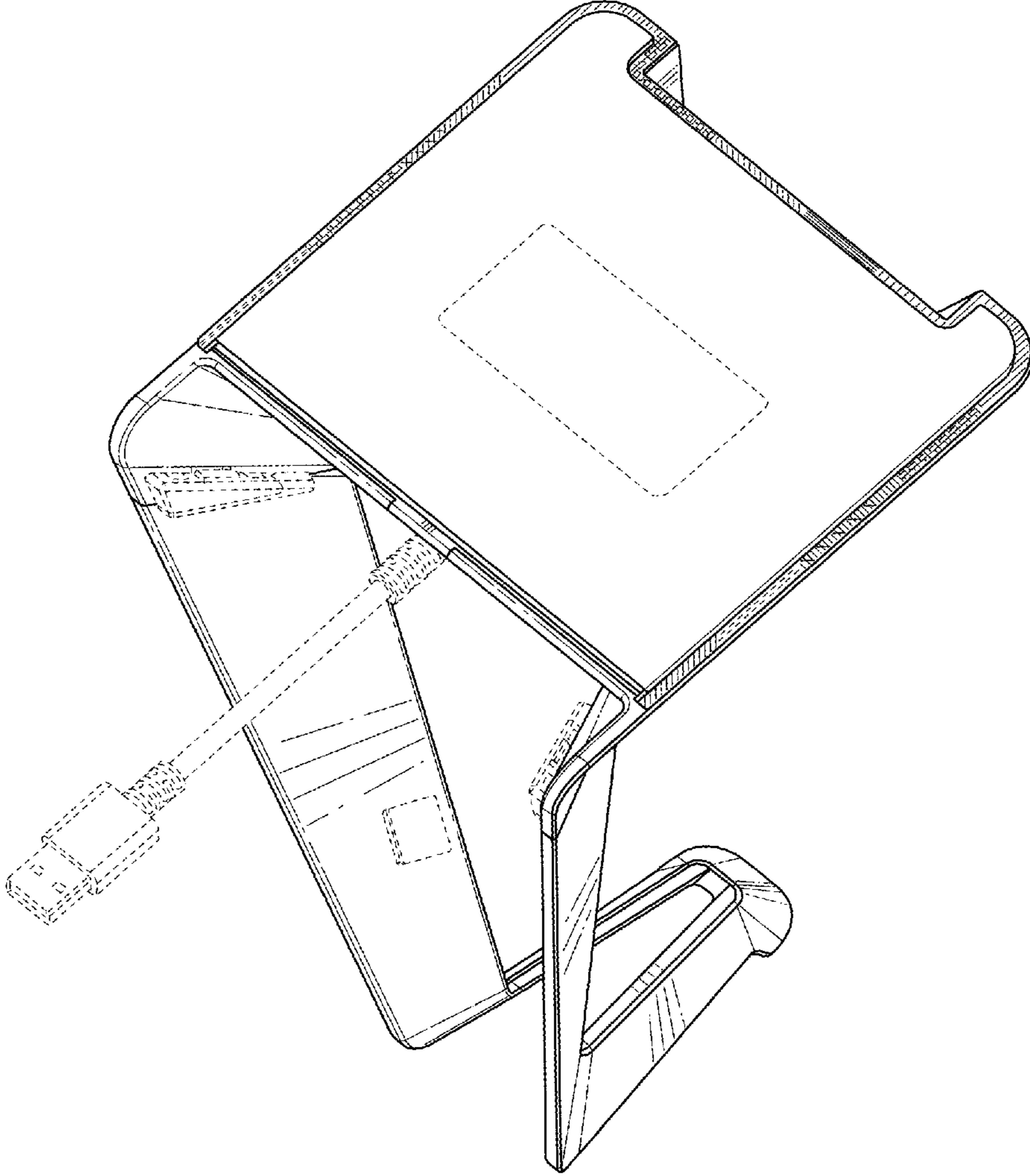


FIG. 2