



US00D864918S

(12) **United States Design Patent**
Liu

(10) **Patent No.:** **US D864,918 S**
(45) **Date of Patent:** **** Oct. 29, 2019**

(54) **EARPHONE**

(71) Applicant: **Dadong Liu**, Guangxi (CN)

(72) Inventor: **Dadong Liu**, Guangxi (CN)

(**) Term: **15 Years**

(21) Appl. No.: **29/610,279**

(22) Filed: **Jul. 11, 2017**

(30) **Foreign Application Priority Data**

May 8, 2017 (CN) 2017 3 0164608

(51) **LOC (12) Cl.** **14-01**

(52) **U.S. Cl.**
USPC **D14/223**; D14/205; D24/174

(58) **Field of Classification Search**
USPC D14/204, 205, 206, 223, 224, 225, 249,
D14/372, 433, 138 R, 188, 192, 172,
D14/203.1, 191, 496; D29/112; D28/41;
D2/875; D24/174, 173, 106; D8/330,
D8/341; D13/118, 108, 119
CPC H04R 25/02; H04R 25/00; H04R 1/10;
H04R 1/1016; H04R 1/105; H04R
1/1083; H04R 1/02; H04R 1/1041; H04R
1/28; H04R 5/033; H04R 2420/07; H04R
2430/00; H04R 2430/01
See application file for complete search history.

(56) **References Cited**

U.S. PATENT DOCUMENTS

- 5,185,802 A * 2/1993 Stanton H04R 25/60
181/129
- 5,643,202 A * 7/1997 Gravenstein A61H 35/04
604/514
- D397,796 S * 9/1998 Yabe D24/174
- 6,290,667 B1 * 9/2001 Cook A61M 1/0003
128/200.22
- 6,389,143 B1 * 5/2002 Leedom H04R 25/456
181/130

(Continued)

FOREIGN PATENT DOCUMENTS

- CN 304393511 * 12/2017
- EM 004046274-0001 * 8/2017
- EM 004411965-0001 * 11/2017

OTHER PUBLICATIONS

218 micro spy earpiece, published Dec. 4, 2017 [online], [retrieved Jan. 6, 2018], Available from Internet, URL: <https://www.youtube.com/watch?v=npaRI1JGFEA> at approximately :14.*

(Continued)

Primary Examiner — Barbara Fox

Assistant Examiner — Mary Claire Ramirez

(74) *Attorney, Agent, or Firm* — Knobbe, Martens, Olson & Bear, LLP

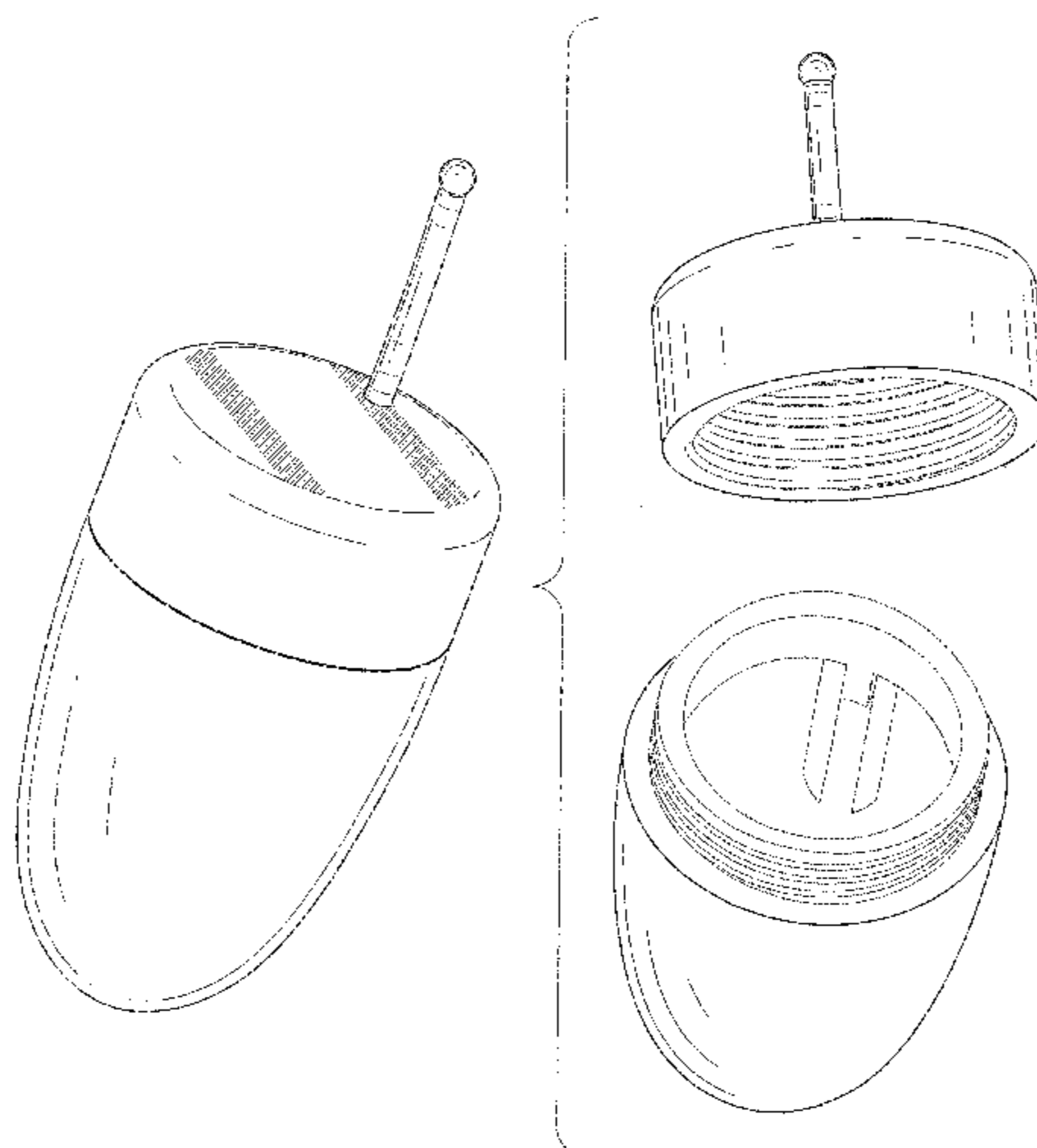
(57) **CLAIM**

The ornamental design for an earphone, as shown and described.

DESCRIPTION

FIG. 1 is a front elevational view of an earphone, showing my new design.
 FIG. 2 is a rear elevational view thereof.
 FIG. 3 is a left side elevational view thereof.
 FIG. 4 is a right side elevational view thereof.
 FIG. 5 is a top plan view thereof.
 FIG. 6 is a bottom plan view thereof.
 FIG. 7 is a perspective view thereof; and,
 FIG. 8 is an exploded view thereof, showing a top portion separated from a bottom portion of the earphone.
 The dash-dash broken lines shown in FIG. 8 depict portions of the earphone that form no part of the claimed design. The dot-dot-dash broken lines shown in FIG. 6 depict a boundary to the claim and form no part of the claimed design.

1 Claim, 7 Drawing Sheets



(56)

References Cited

U.S. PATENT DOCUMENTS

D518,727 S * 4/2006 Haley D22/116
 D542,782 S * 5/2007 Pena Angarita D14/223
 D554,756 S * 11/2007 Sjursen D24/174
 D572,703 S * 7/2008 Ledbetter D14/205
 D583,927 S * 12/2008 Benner D24/106
 D595,268 S * 6/2009 Kolton D14/205
 D611,606 S * 3/2010 Vaterlaus D24/174
 D614,168 S * 4/2010 Rogers D14/206
 D621,388 S * 8/2010 Koss D14/223
 D634,631 S * 3/2011 Taylor D9/447
 D639,280 S * 6/2011 Hayes D14/223
 7,959,597 B2 * 6/2011 Baker A61M 1/0058
 604/28
 D656,922 S * 4/2012 Massaro D14/223
 D676,125 S * 2/2013 Hair D24/108
 D698,750 S * 2/2014 Yoon D14/205
 D717,909 S * 11/2014 Thrift D22/116
 D718,286 S * 11/2014 Yang D14/223
 8,891,798 B1 * 11/2014 Laffon de Mazieres
 H04R 1/1033
 381/370
 D764,445 S * 8/2016 Czaniecki D14/223
 D777,903 S * 1/2017 Schultz D24/108
 D781,269 S * 3/2017 Choe D14/223
 D813,206 S * 3/2018 Tang D14/223
 D813,373 S * 3/2018 Williams D24/106
 2003/0062367 A1 * 4/2003 Robinson A47G 19/2227
 220/254.1
 2004/0081328 A1 * 4/2004 Leedom A61B 5/6817
 381/312
 2007/0177749 A1 * 8/2007 Sjursen H04R 25/602
 381/323

2009/0052709 A1 * 2/2009 Smith H04R 25/02
 381/328
 2011/0139824 A1 * 6/2011 Cacka A61M 3/0245
 604/275
 2011/0139826 A1 * 6/2011 Hair B65D 1/32
 222/211
 2011/0144588 A1 * 6/2011 Taylor A61M 3/0258
 604/151
 2011/0319840 A1 * 12/2011 Hair A61M 3/0262
 604/275
 2012/0082336 A1 * 4/2012 Wubker H04R 1/1016
 381/380
 2012/0155689 A1 * 6/2012 Milodzikowski H04R 1/1016
 381/379
 2012/0281865 A1 * 11/2012 Caldarola H04R 5/02
 381/328
 2013/0056295 A1 * 3/2013 Campbell H04R 25/652
 181/135
 2013/0259286 A1 * 10/2013 Chung H04R 1/1016
 381/380
 2015/0289061 A1 * 10/2015 Rasmussen H04R 25/02
 381/329
 2017/0318401 A1 * 11/2017 Chang H04R 25/604
 2017/0319392 A1 * 11/2017 Knudsen A61F 11/08
 2018/0184192 A1 * 6/2018 Na H04R 1/1016

OTHER PUBLICATIONS

Motorola RLN4922, published Mar. 8, 2014 [online], [retrieved Jan. 6, 2018], Available from Internet, URL: <<https://blog.magnumelectronics.com/2014/03/08/motorola-apx-xts-completely-discreet-wireless-covert-surveillance-accessories/>>.*

* cited by examiner

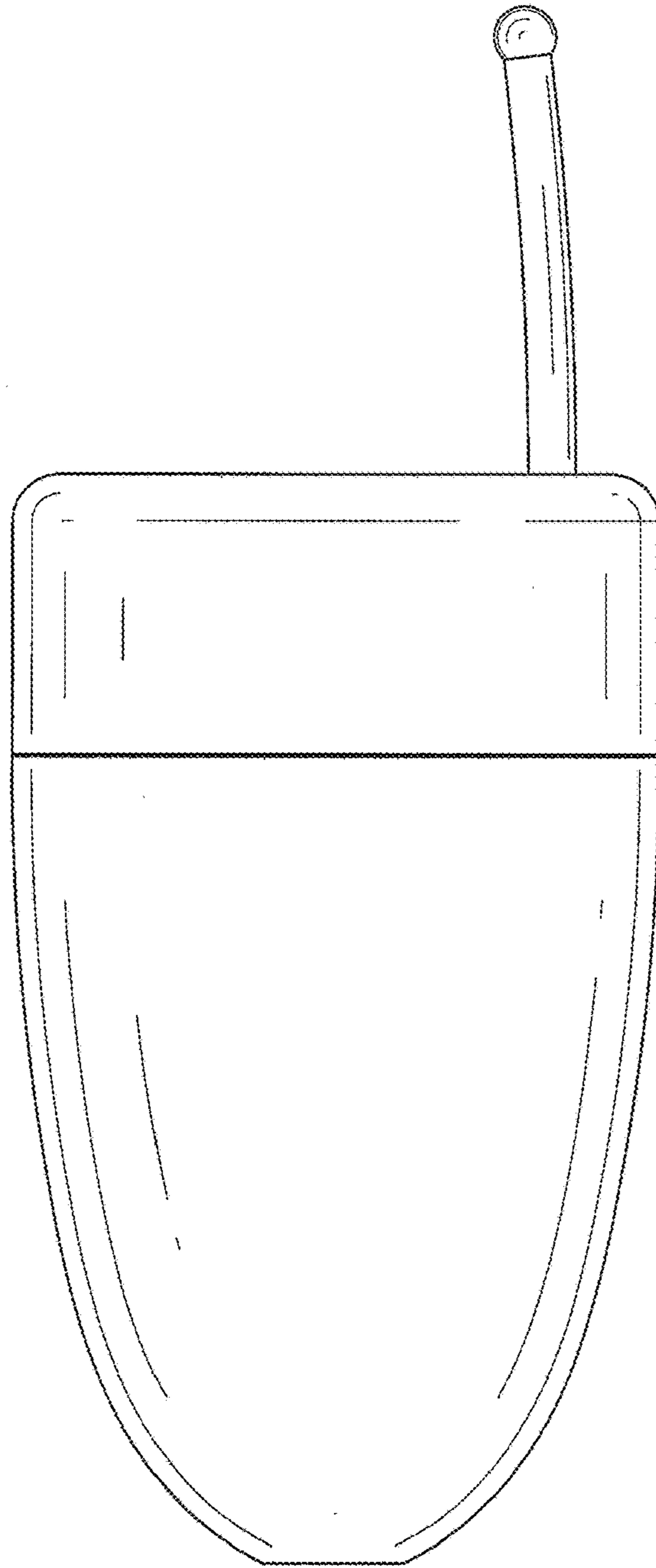


FIG. 1

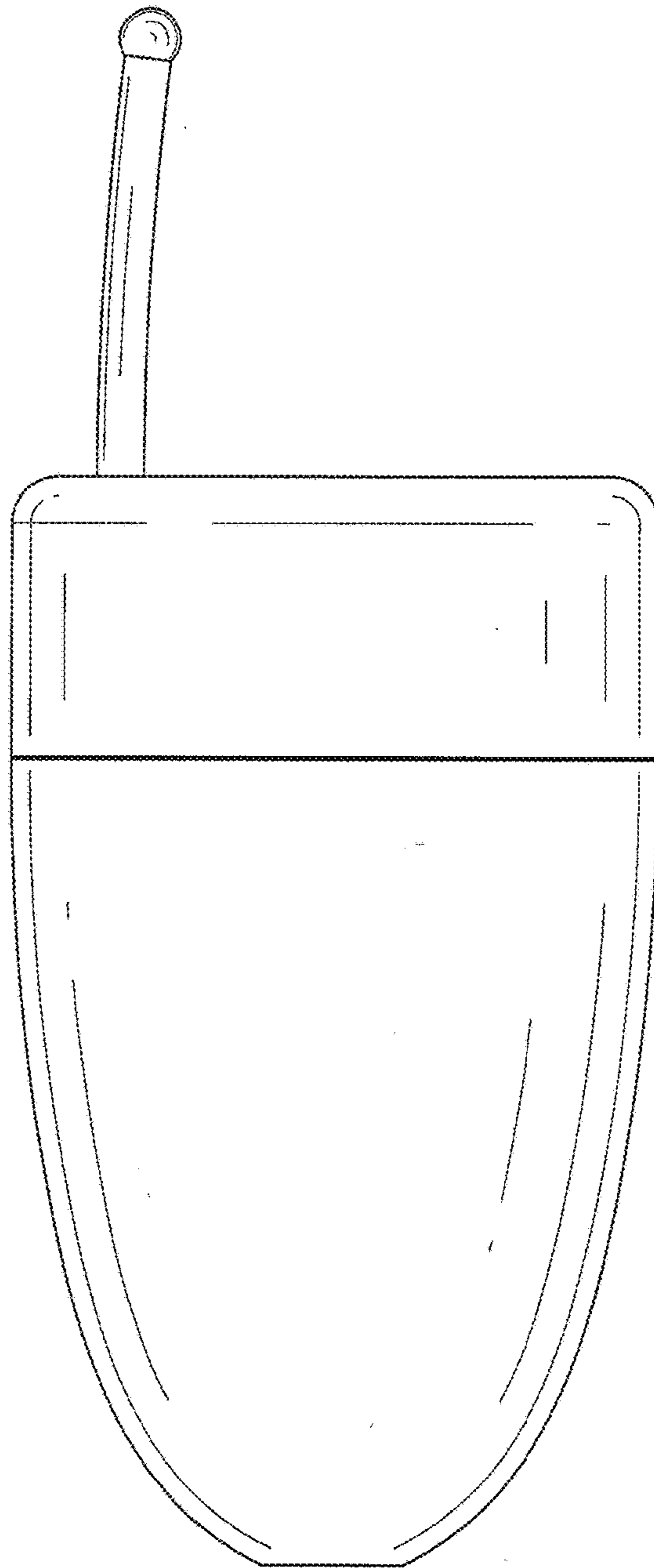


FIG. 2

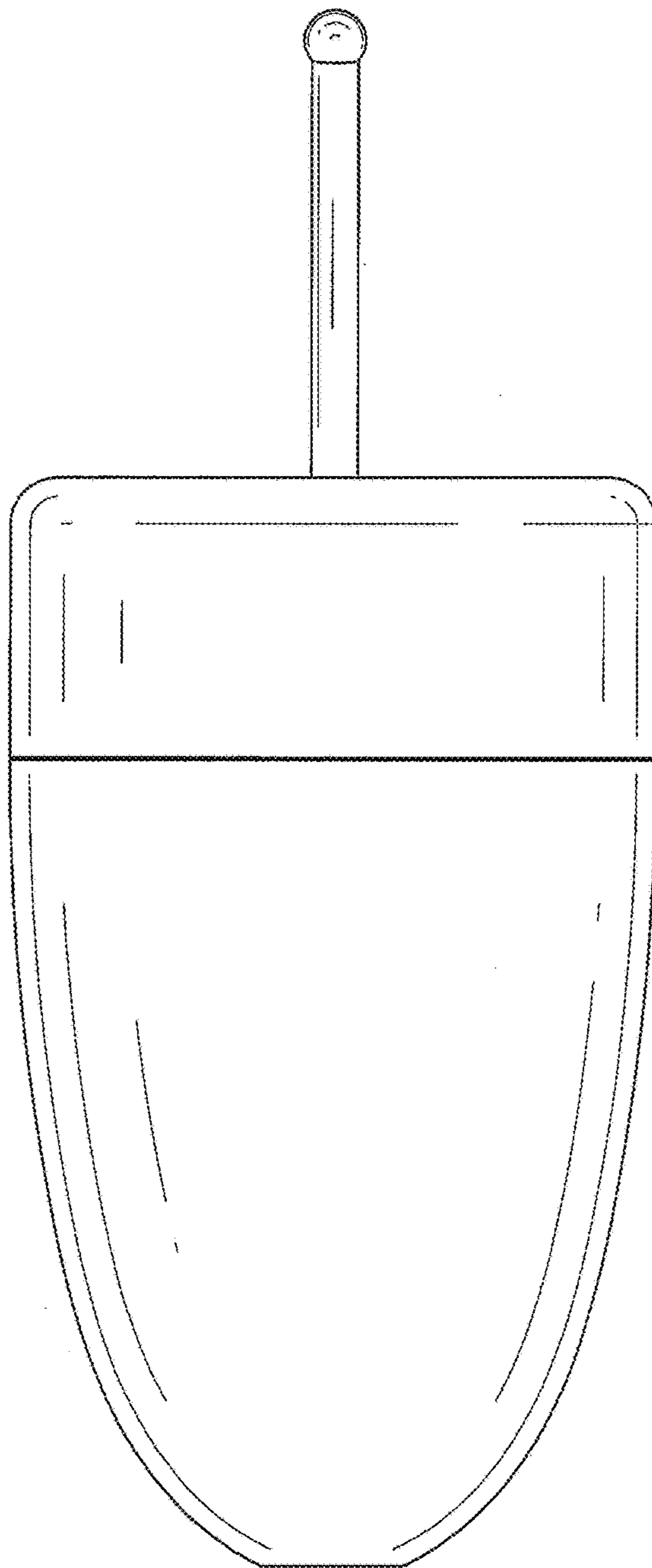


FIG. 3

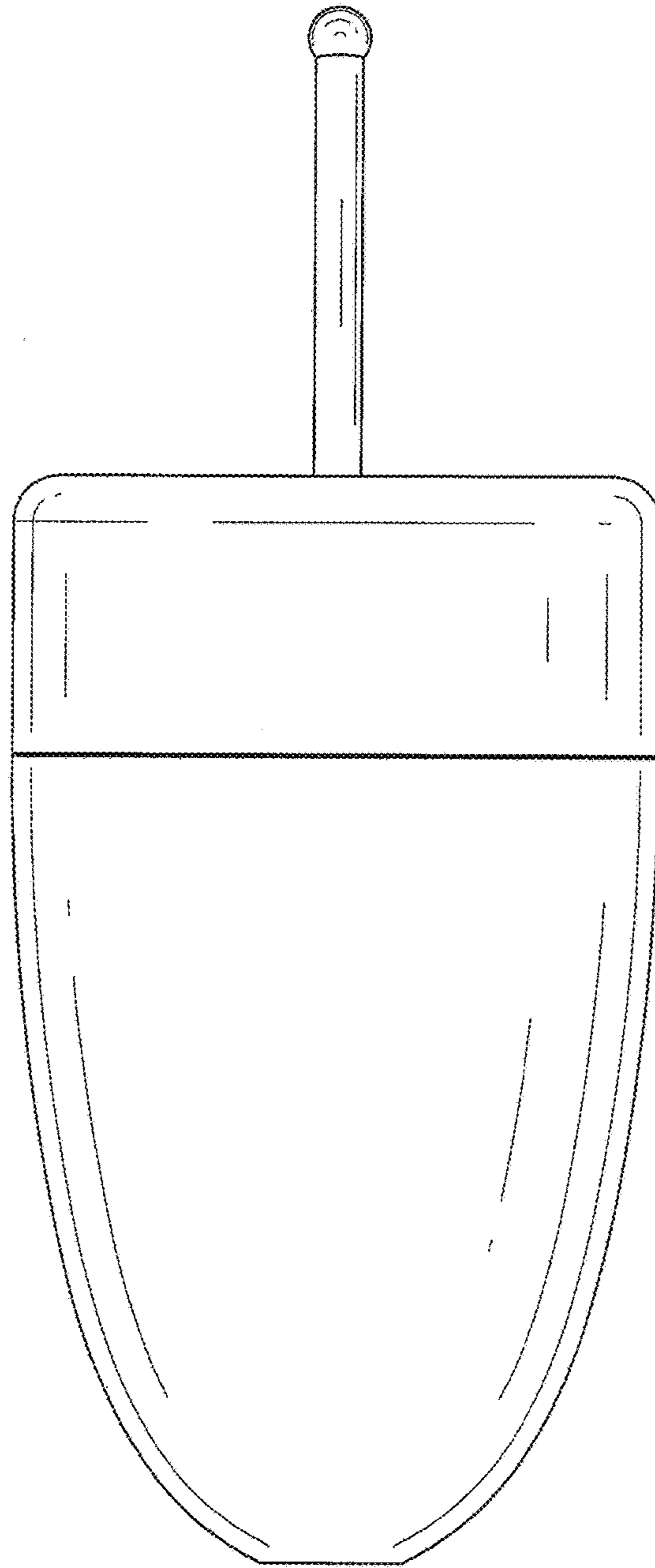


FIG. 4

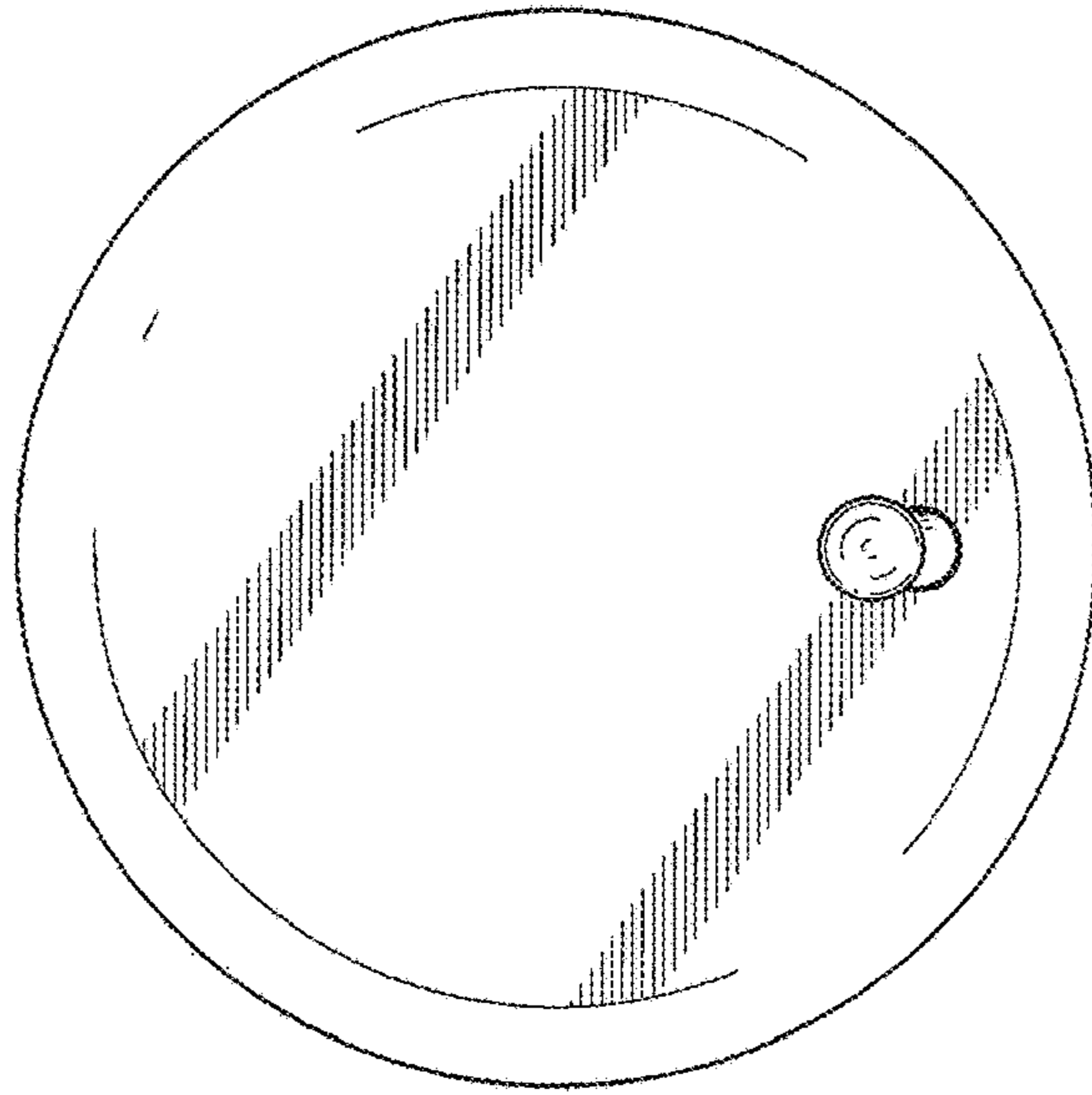


FIG. 5

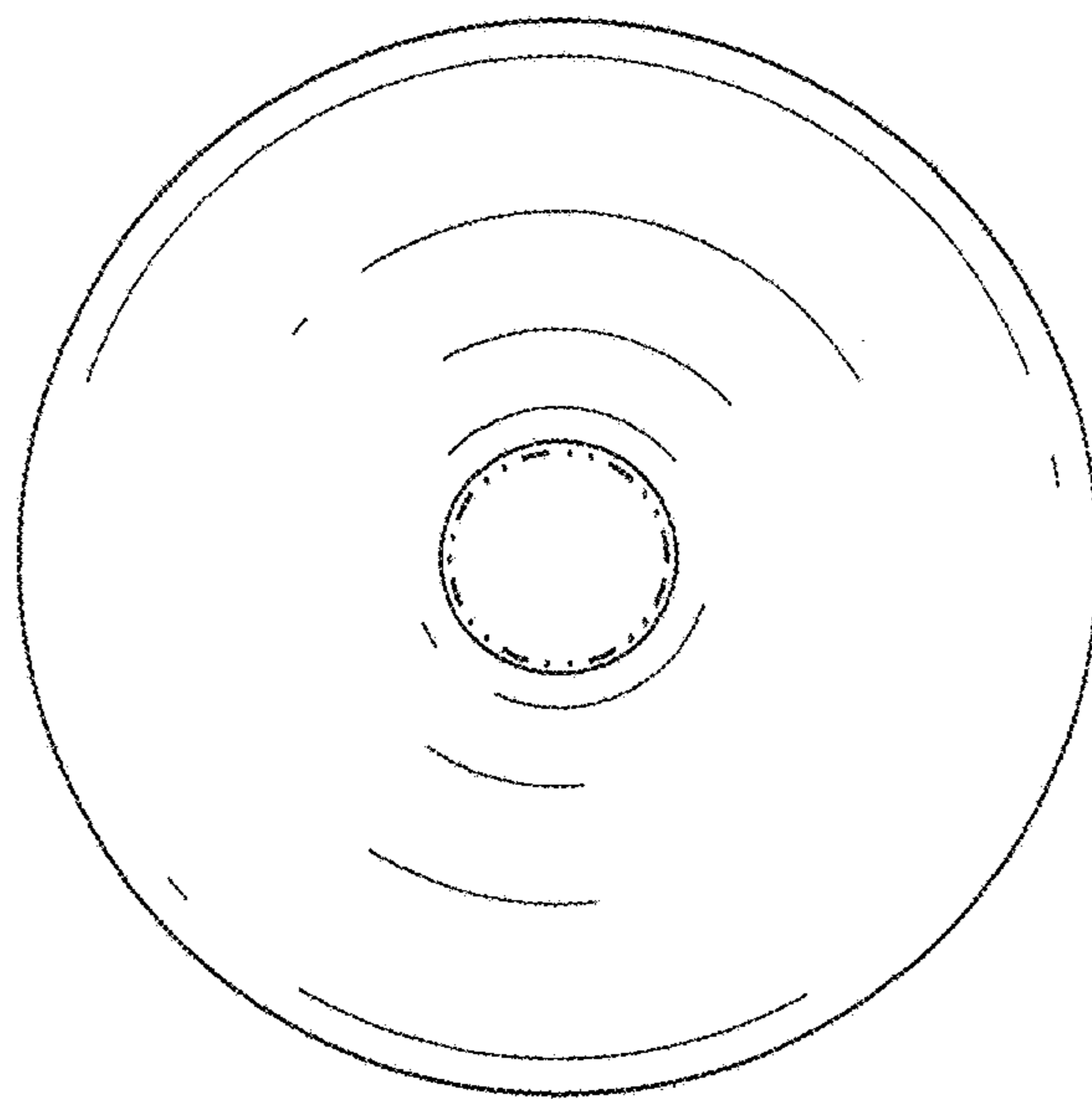


FIG. 6

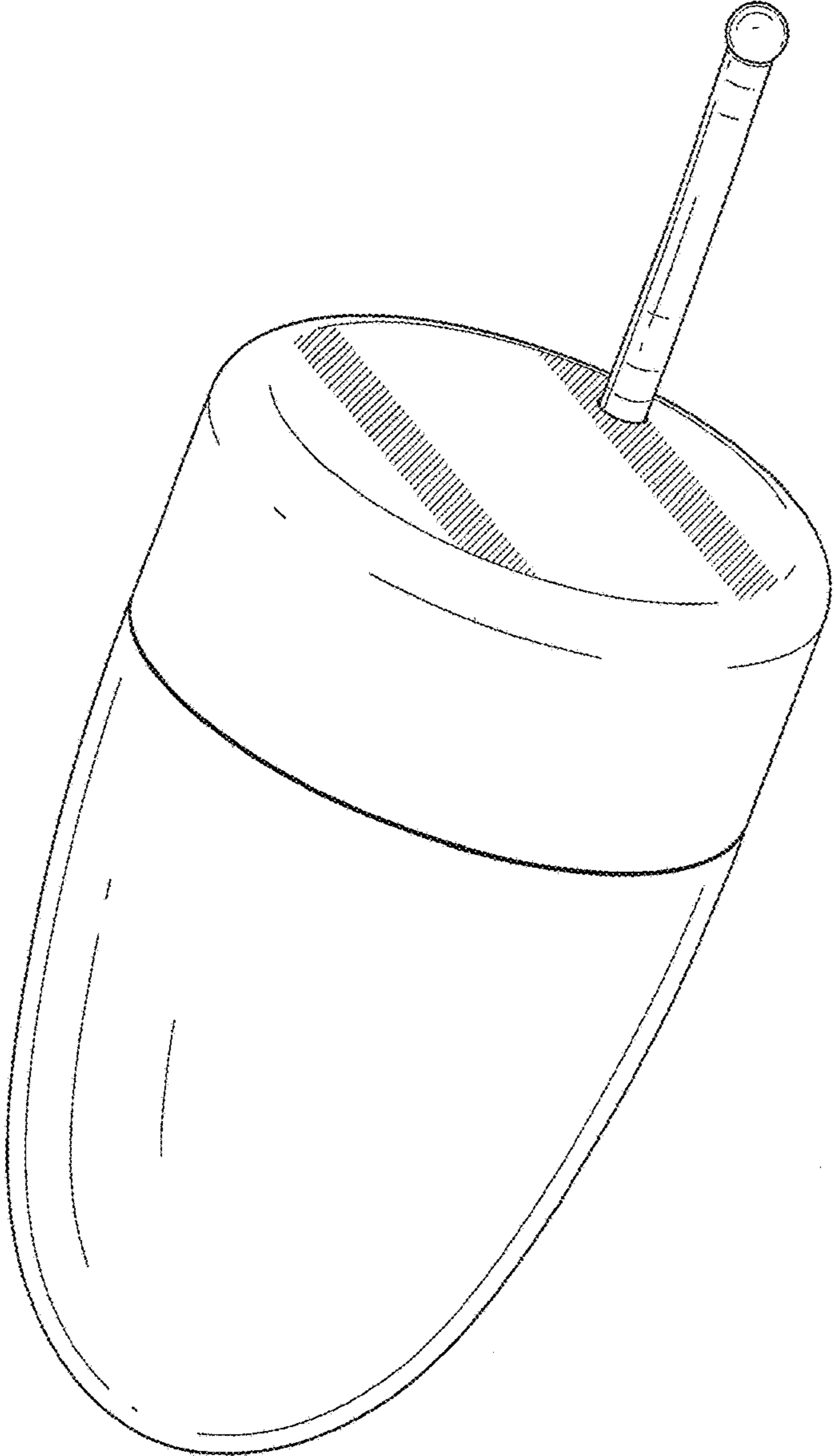


FIG. 7

FIG. 8

