

US00D864917S

(12) **United States Design Patent**  
**Wakasa et al.**

(10) **Patent No.:** **US D864,917 S**

(45) **Date of Patent:** **\*\* Oct. 29, 2019**

(54) **SPEAKER FOR AUTOMOBILE**  
(71) Applicant: **PIONEER CORPORATION**, Tokyo (JP)  
(72) Inventors: **Chie Wakasa**, Tokyo (JP); **Meiji Kitamura**, Tokyo (JP)  
(73) Assignee: **PIONEER CORPORATION**, Tokyo (JP)

(\*\*) Term: **15 Years**

(21) Appl. No.: **29/638,428**

(22) Filed: **Feb. 27, 2018**

(30) **Foreign Application Priority Data**

Sep. 12, 2017 (JP) ..... 2017-019860

(51) **LOC (12) Cl.** ..... **14-01**

(52) **U.S. Cl.**  
USPC ..... **D14/222**; D14/216

(58) **Field of Classification Search**  
USPC ..... D14/216, 215, 222, 221; 181/144-148, 181/156, 170, 173, 141, 182, 396, 186; 381/380, 381, 421, 423, 426, 427, 397, 381/186, 182, 412, 386; 455/90.3, 575.1, 455/569.1

CPC ... H04R 9/06; H04R 9/04; H04R 1/00; H04R 1/24; H04R 25/00; H04R 25/02; H04R 1/02; H04R 9/025; H05K 5/00

See application file for complete search history.

(56) **References Cited**

**U.S. PATENT DOCUMENTS**

1,742,832 A \* 1/1930 Thomas ..... H04R 1/00  
369/222  
2,070,977 A \* 2/1937 Quinnell ..... H04R 9/04  
381/189  
2,091,011 A \* 8/1937 Phelps ..... H04R 1/021  
296/1.07

2,231,479 A \* 2/1941 Perry ..... H04R 7/122  
181/163  
2,496,589 A \* 2/1950 Marquis ..... H04R 1/24  
367/175  
2,551,447 A \* 5/1951 Marquis ..... H04R 9/025  
381/412

(Continued)

**FOREIGN PATENT DOCUMENTS**

JP 1329064 S 5/2008  
JP 1329109 S 5/2008

(Continued)

**OTHER PUBLICATIONS**

Pioneer Catalog published in 2016, Audio AV 2017 Car Entertainment Dealer Reference Guide vol. 1, pp. 74, 75, 78, 79, 82, 83, 88, 89.

*Primary Examiner* — Paula Allen Greene

(74) *Attorney, Agent, or Firm* — Drinker Biddle & Reath LLP

(57) **CLAIM**

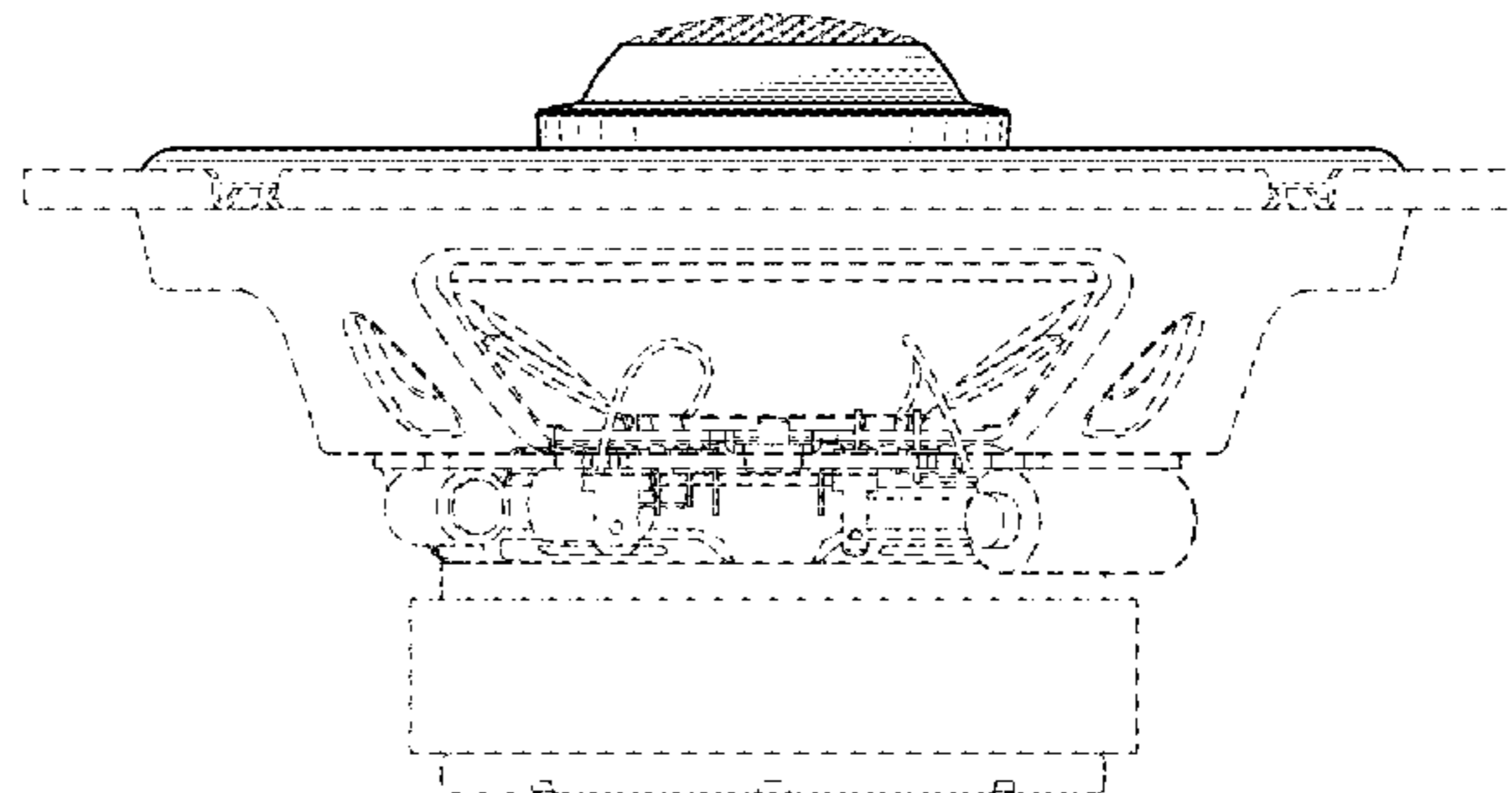
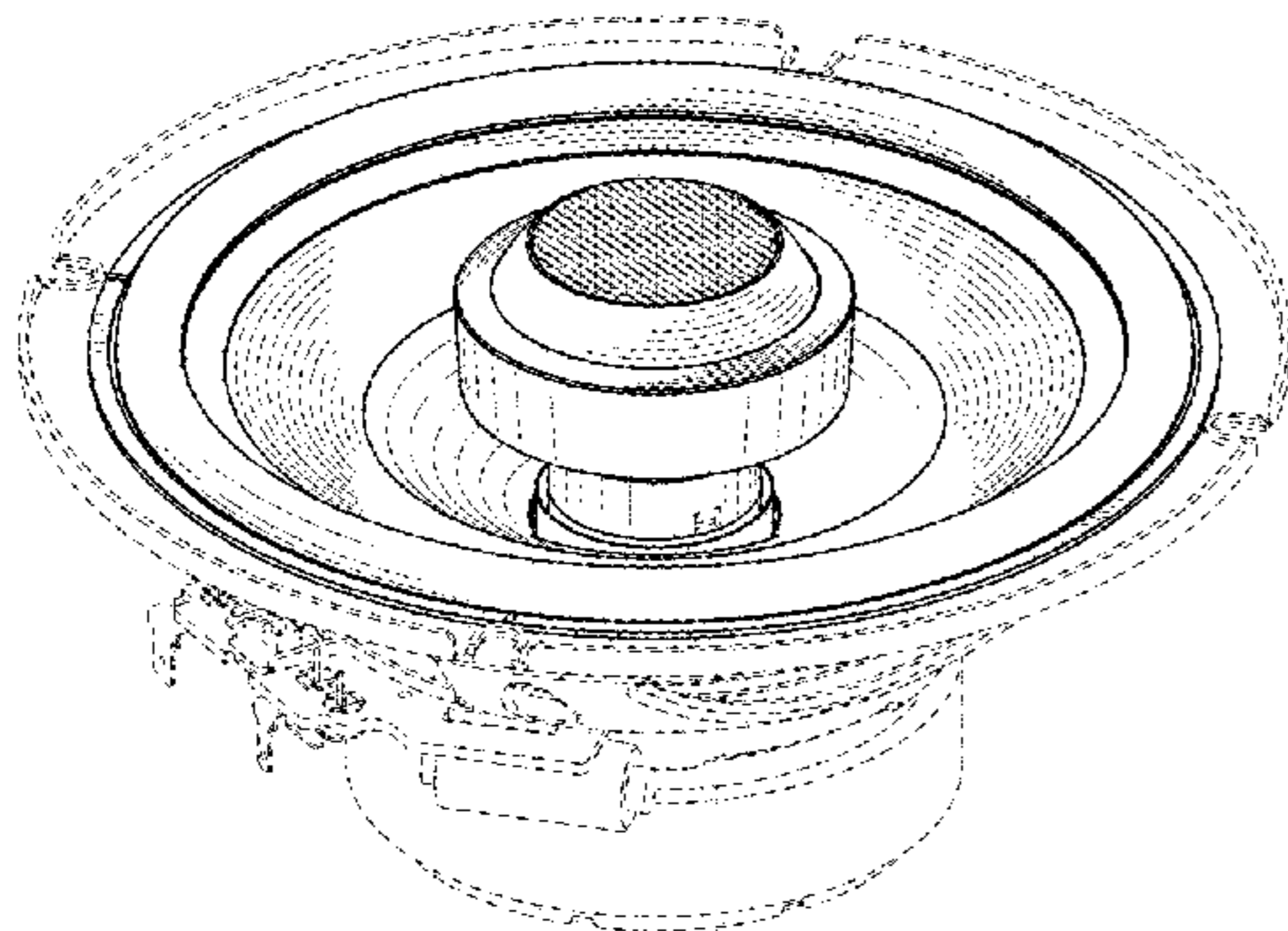
The ornamental design for the speaker for automobile, as shown and described.

**DESCRIPTION**

FIG. 1 is a perspective view of a speaker for automobile showing our new design;  
FIG. 2 is a front view thereof;  
FIG. 3 is a rear view thereof;  
FIG. 4 is a right side view thereof;  
FIG. 5 is a left side view thereof;  
FIG. 6 is a top view thereof; and,  
FIG. 7 is a bottom view thereof.

The broken line showing of the speaker for automobile is included for the purpose of illustrating portions of the speaker for automobile and forms no part of the claimed design.

**1 Claim, 7 Drawing Sheets**



(56)

References Cited

U.S. PATENT DOCUMENTS

2,563,452 A \* 8/1951 Bozak ..... H04R 9/06  
381/392  
2,753,009 A \* 7/1956 Shaffer ..... H04R 1/021  
181/150  
2,819,773 A \* 1/1958 Lowell ..... H04R 1/345  
181/175  
D188,542 S \* 8/1960 Levy ..... D14/216  
D197,716 S \* 3/1964 Boldt ..... D14/216  
3,188,374 A \* 6/1965 Schotter ..... H04R 1/025  
181/175  
3,201,529 A \* 8/1965 Surh ..... H04R 9/025  
181/163  
3,230,319 A \* 1/1966 Kliewer ..... H04R 7/122  
181/137  
3,236,958 A \* 2/1966 Cohen ..... H04R 7/10  
381/404  
3,240,882 A \* 3/1966 Eichler ..... H04R 9/06  
335/231  
3,581,015 A \* 5/1971 Masuda ..... H04R 1/222  
381/177  
D225,069 S \* 11/1972 May ..... D14/216  
3,925,626 A \* 12/1975 Stallings, Jr. .... H04R 1/021  
381/430  
3,939,942 A \* 2/1976 Gore ..... G10K 13/00  
181/157  
D250,586 S \* 12/1978 Nussdorfer ..... D14/216  
4,220,832 A \* 9/1980 Nagel ..... H04R 1/24  
381/182  
4,277,653 A \* 7/1981 Pawelzick ..... H04R 1/025  
181/150  
4,292,679 A \* 9/1981 Kondo ..... F16C 11/00  
181/171  
4,297,537 A \* 10/1981 Babb ..... H04R 1/023  
381/189  
4,313,040 A \* 1/1982 Tsukamoto ..... H04R 7/10  
381/425  
D270,909 S \* 10/1983 Iijima ..... D14/216  
4,439,643 A \* 3/1984 Schweizer ..... H04R 1/021  
181/153  
4,492,826 A \* 1/1985 Chiu ..... H04R 1/24  
181/144  
4,508,941 A \* 4/1985 Wiggins ..... G01P 3/46  
381/405  
4,552,242 A \* 11/1985 Kashiwabara ..... H04R 1/24  
181/144  
4,554,414 A \* 11/1985 House ..... H04R 23/02  
181/144  
D289,041 S \* 3/1987 Bittencourt ..... D14/216  
4,815,558 A \* 3/1989 Krainhofer ..... H04R 1/025  
181/141  
4,853,966 A \* 8/1989 Skrzycki ..... H04R 1/025  
381/395

D320,020 S \* 9/1991 Iwano ..... D14/216  
5,143,169 A \* 9/1992 Ziegenberg ..... H04R 7/02  
181/144  
5,153,915 A \* 10/1992 Farella ..... H04R 1/025  
181/150  
5,193,119 A \* 3/1993 Tontini ..... H04R 1/24  
381/182  
5,303,209 A \* 4/1994 Frasl ..... H04R 9/02  
181/160  
5,319,164 A \* 6/1994 Shen ..... H04R 1/025  
181/150  
5,323,469 A \* 6/1994 Scholz ..... H04R 7/24  
381/403  
D360,886 S \* 8/1995 Hall ..... D14/216  
5,512,714 A \* 4/1996 Fenton ..... H04R 1/24  
181/144  
5,568,562 A \* 10/1996 Huang ..... H04R 1/24  
381/182  
5,625,701 A \* 4/1997 Scanlan ..... H04R 7/16  
381/403  
D393,641 S \* 4/1998 Hai-Fu ..... D14/216  
5,739,480 A \* 4/1998 Lin ..... H04R 1/24  
181/144  
D400,884 S \* 11/1998 Christie, II ..... D14/216  
D432,118 S \* 10/2000 Honnert ..... D14/216  
6,516,076 B1 \* 2/2003 Marlin ..... G10K 11/004  
181/159  
D480,709 S \* 10/2003 Proni ..... D14/216  
6,647,124 B1 \* 11/2003 Peng ..... H04R 1/24  
381/412  
D521,982 S \* 5/2006 Schafernak ..... D14/216  
D529,899 S \* 10/2006 Amada ..... D14/221  
8,175,320 B2 \* 5/2012 Lin ..... H04R 9/025  
381/401  
D705,193 S \* 5/2014 Yoon ..... D14/185  
D723,010 S \* 2/2015 Moon ..... D14/222  
9,036,839 B2 \* 5/2015 Zhao ..... H04R 9/04  
381/182  
9,253,576 B2 \* 2/2016 Tripp ..... H04R 9/04  
D810,050 S \* 2/2018 Uemoto ..... D14/216  
D837,181 S \* 1/2019 Kitamura ..... D14/204  
D839,235 S \* 1/2019 Kitamura ..... D14/204  
2005/0271236 A1 \* 12/2005 Kobayashi ..... H04R 1/24  
381/396  
2007/0023423 A1 \* 2/2007 Suzuki ..... H04R 31/003  
219/633

FOREIGN PATENT DOCUMENTS

JP 1348907 S 1/2009  
JP 1396787 S 9/2010  
JP 1450113 S 9/2012  
JP 1518778 S 3/2015

\* cited by examiner

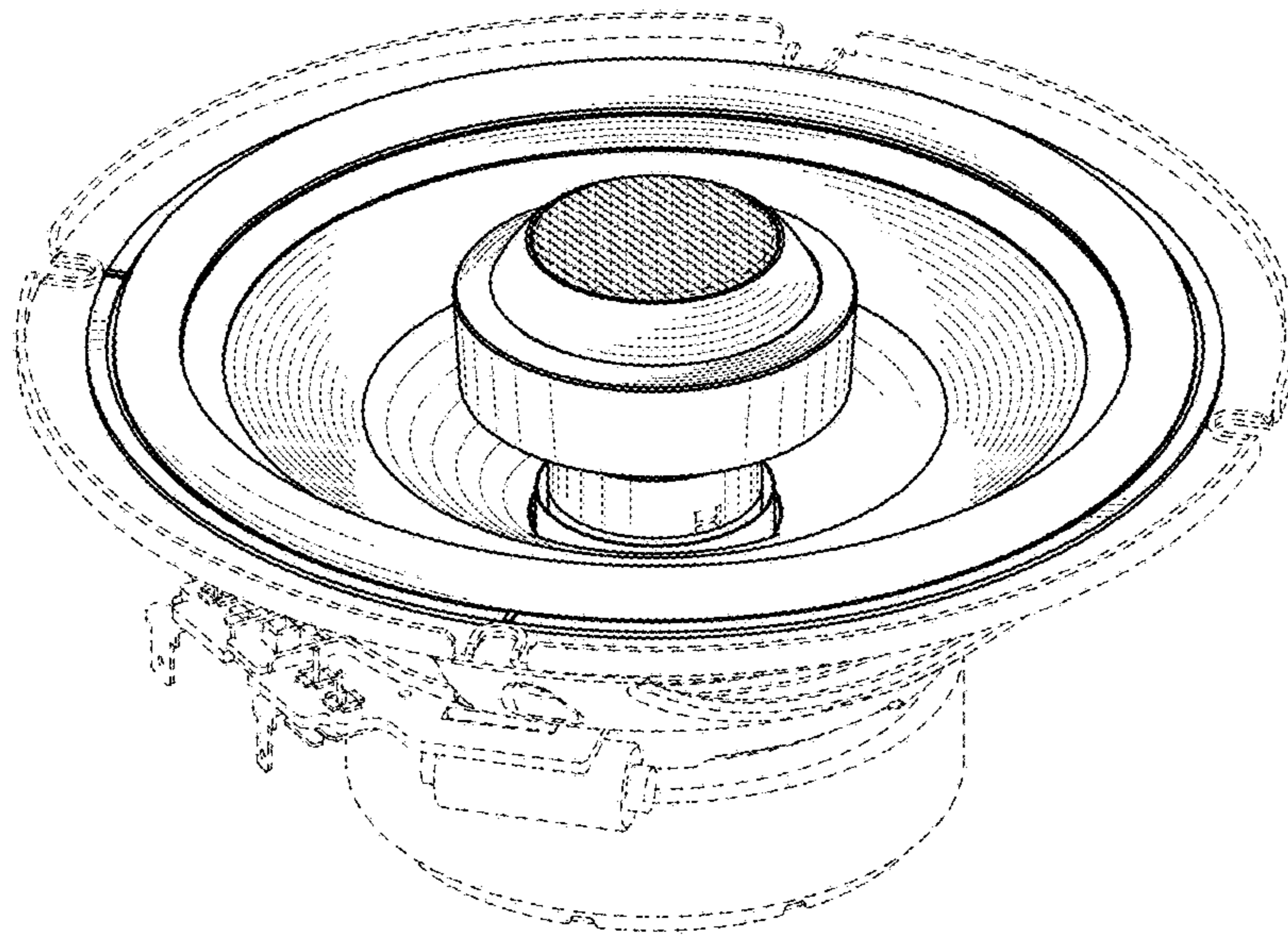


FIG. 1

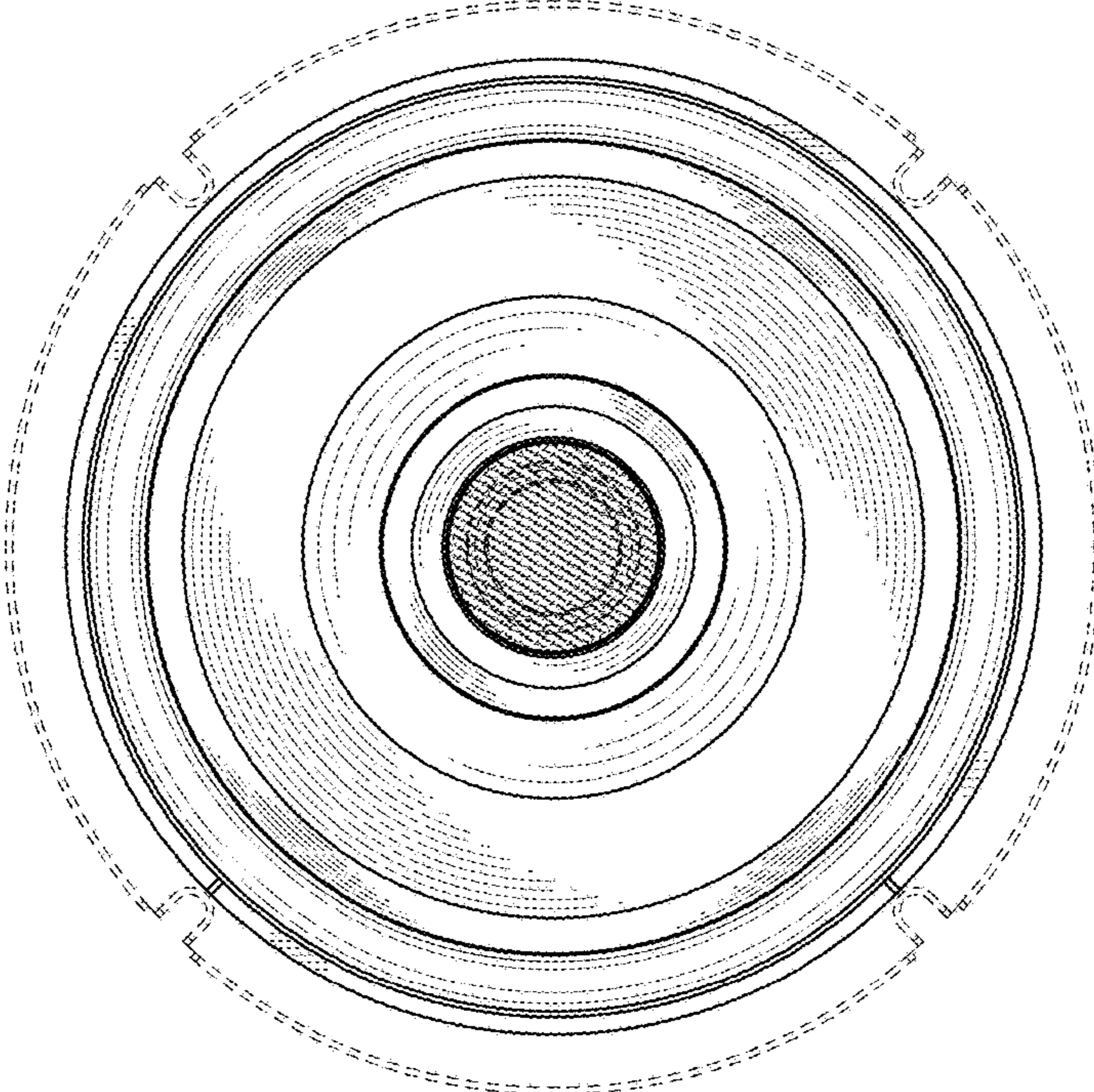


FIG. 2

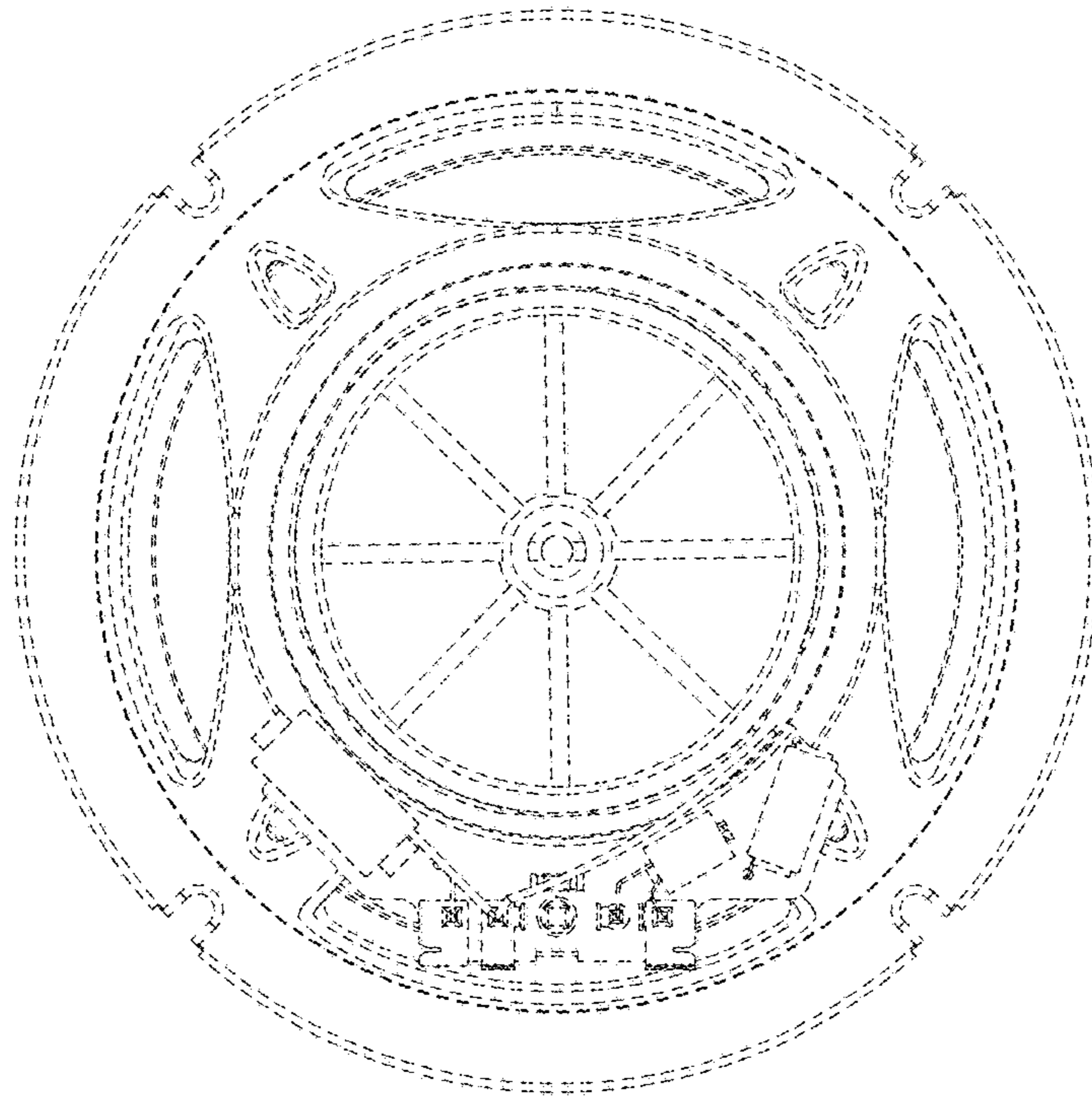


FIG. 3

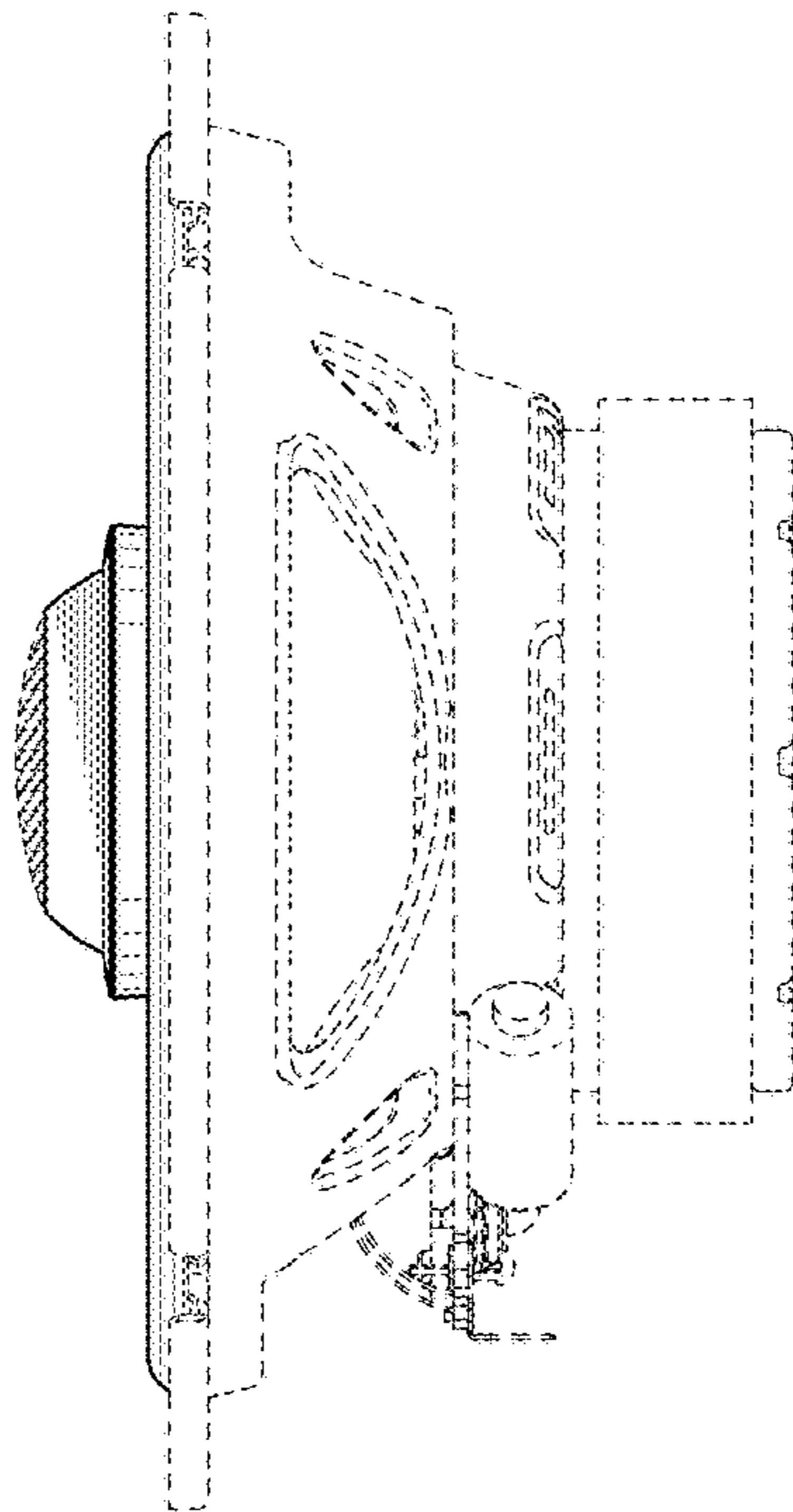


FIG. 4

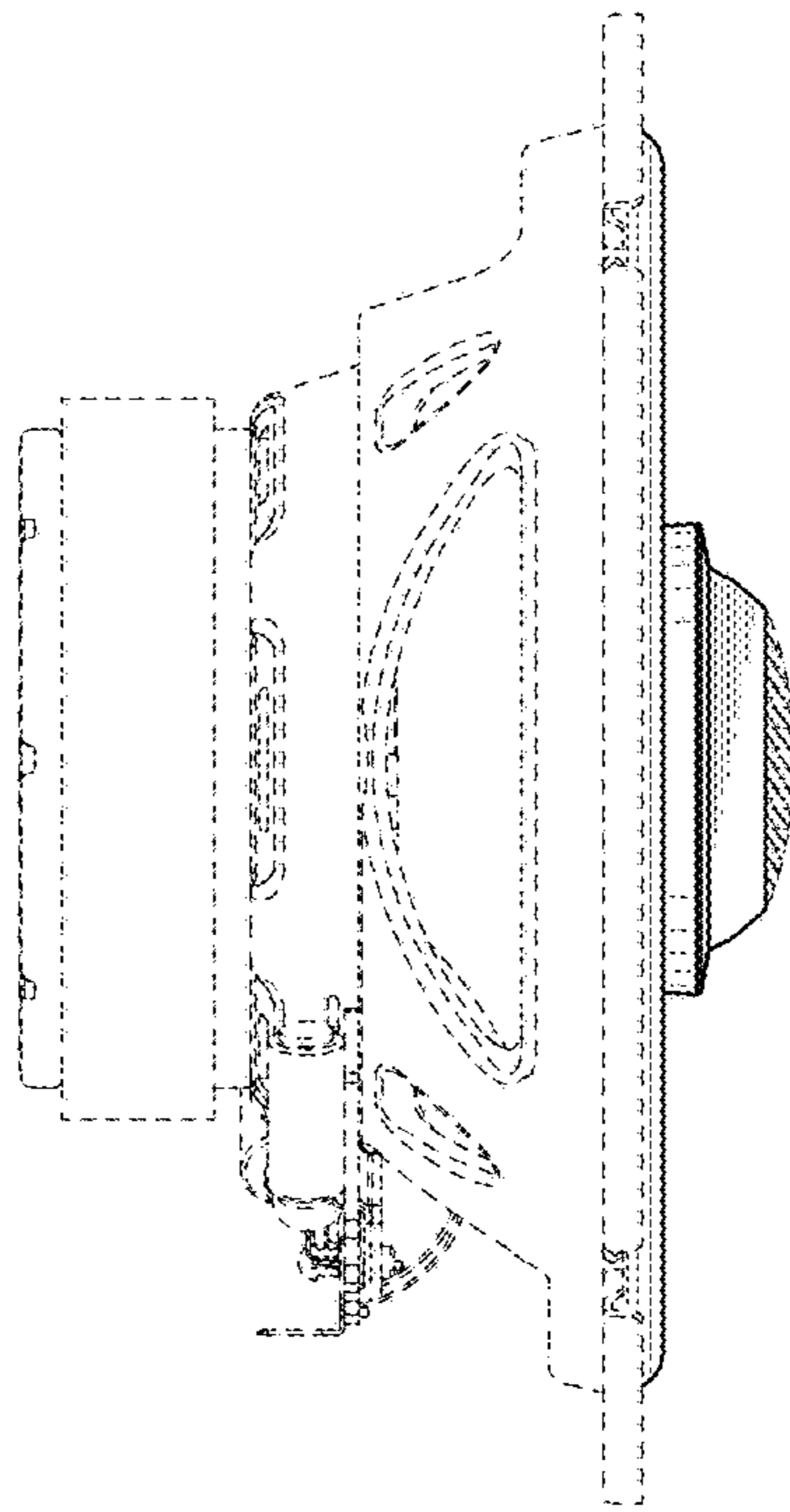


FIG. 5

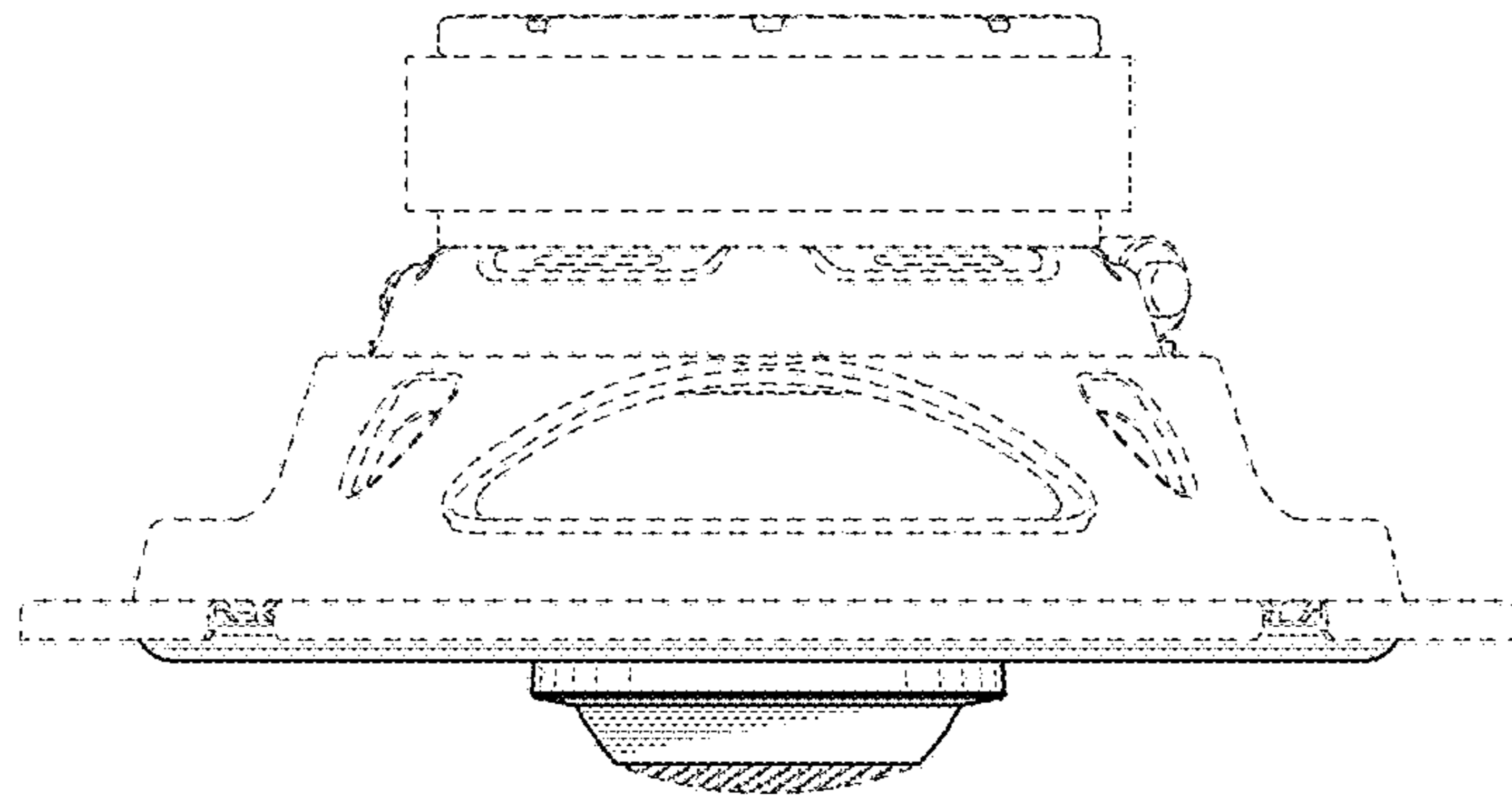


FIG. 6



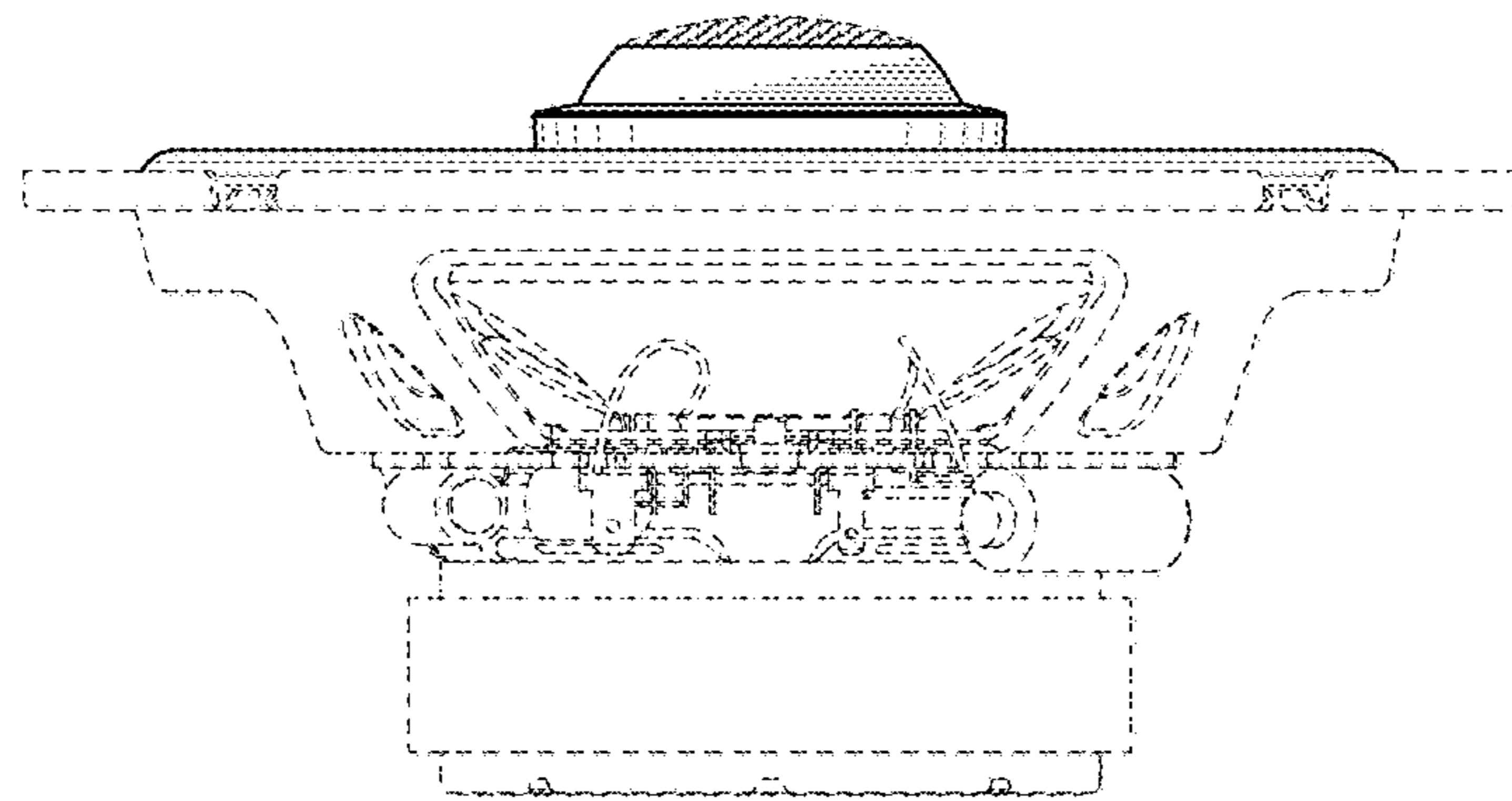


FIG. 7