



US00D864916S

(12) **United States Design Patent**
Wakasa et al.

(10) **Patent No.:** **US D864,916 S**

(45) **Date of Patent:** **** Oct. 29, 2019**

- (54) **SPEAKER FOR AUTOMOBILE**
- (71) Applicant: **PIONEER CORPORATION**, Tokyo (JP)
- (72) Inventors: **Chie Wakasa**, Tokyo (JP); **Meiji Kitamura**, Tokyo (JP)
- (73) Assignee: **PIONEER CORPORATION**, Tokyo (JP)

- 2,231,479 A * 2/1941 Perry H04R 7/122
181/163
- 2,496,589 A * 2/1950 Marquis H04R 1/24
367/175
- 2,753,009 A * 7/1956 Shaffer H04R 1/021
181/150

(Continued)

FOREIGN PATENT DOCUMENTS

- JP 1329064 S 5/2008
- JP 1329109 S 5/2008

(Continued)

(**) Term: **15 Years**

(21) Appl. No.: **29/638,420**

(22) Filed: **Feb. 27, 2018**

(30) **Foreign Application Priority Data**

Sep. 5, 2017 (JP) 2017-019171

(51) **LOC (12) Cl.** **14-01**

(52) **U.S. Cl.**
USPC **D14/221**; D14/216

(58) **Field of Classification Search**
USPC D14/216, 215, 222, 221; 181/144-148,
181/156, 170, 173, 141, 182, 396, 186,
181/157; 381/380, 381, 421, 423, 426,
381/427, 397, 186, 182, 412, 386;
455/90.3, 575.1, 569.1

CPC ... H04R 9/06; H04R 9/04; H04R 1/00; H04R
1/24; H04R 25/00; H04R 19/02; H04R
1/02; H04R 9/025; H05K 5/00

See application file for complete search history.

(56) **References Cited**

U.S. PATENT DOCUMENTS

- 1,742,832 A * 1/1930 Thomas H04R 1/00
369/222
- 2,070,977 A * 2/1937 Quinnell H04R 9/04
381/189
- 2,091,011 A * 8/1937 Phelps H04R 1/021
296/1.07

OTHER PUBLICATIONS

Pioneer Catalog published in 2016, Audio AV 2017 Car Entertainment Dealer Reference Guide vol. 1, pp. 74, 75, 78, 79, 82, 83, 88, 89.

Primary Examiner — Paula Allen Greene

(74) *Attorney, Agent, or Firm* — Drinker Biddle & Reath LLP

(57) **CLAIM**

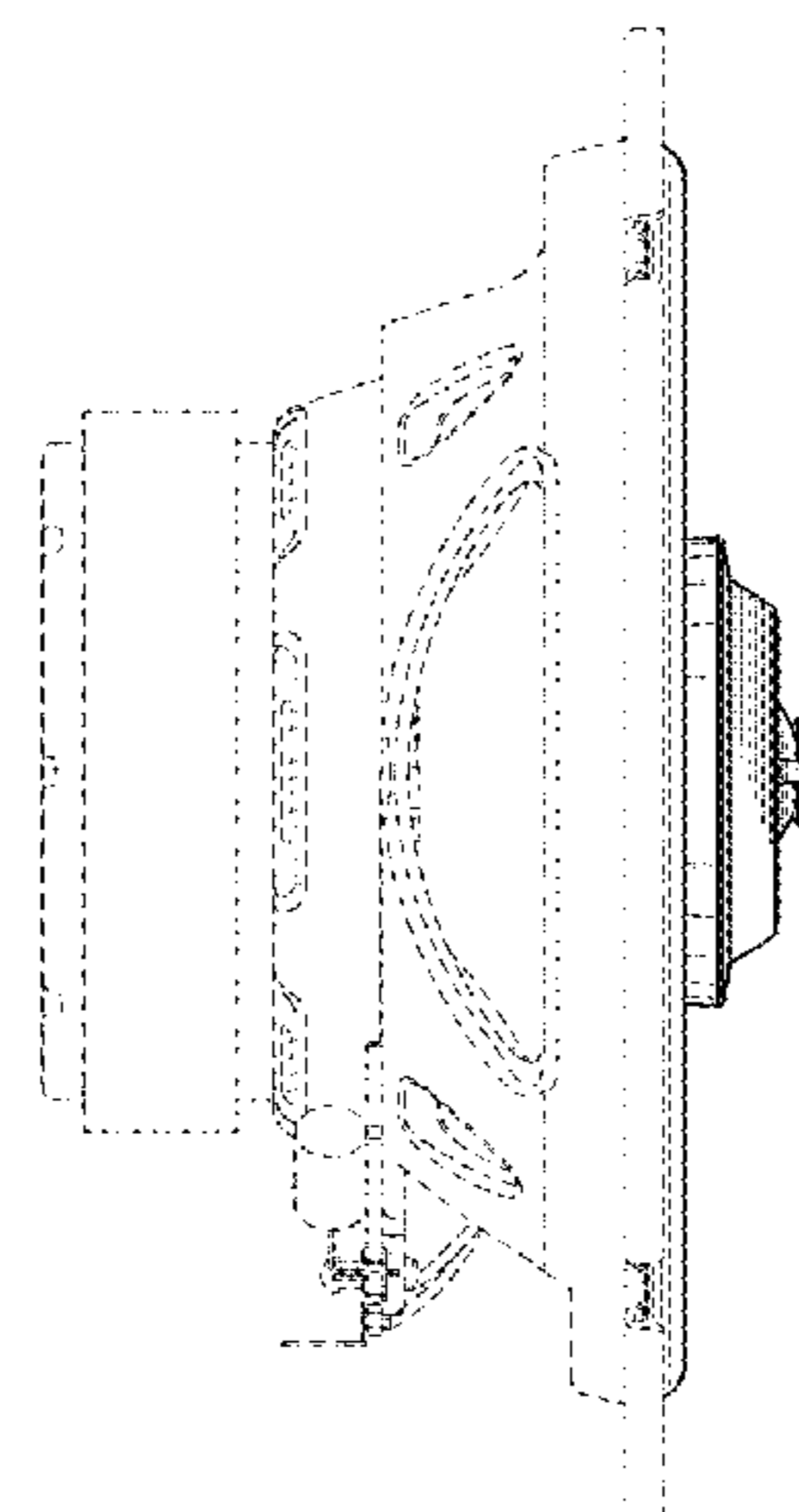
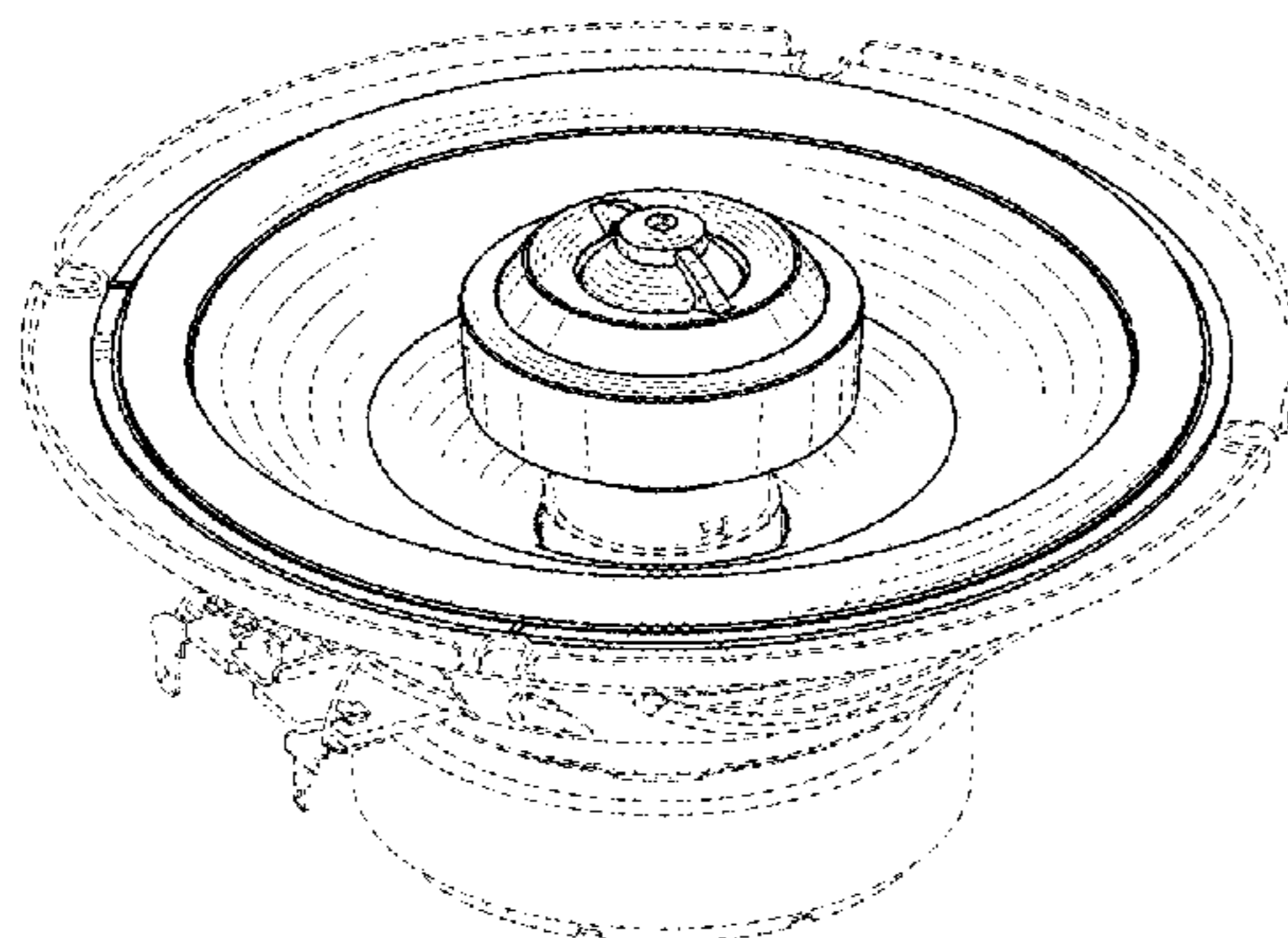
The ornamental design for the speaker for automobile, as shown and described.

DESCRIPTION

FIG. 1 is a perspective view of a speaker for automobile showing our new design;
FIG. 2 is a front view thereof;
FIG. 3 is a rear view thereof;
FIG. 4 is a top view thereof;
FIG. 5 is a bottom view thereof;
FIG. 6 is a right side view thereof; and,
FIG. 7 is a left side view thereof.

The broken line showing of the speaker for automobile is included for the purpose of illustrating portions of the speaker for automobile and forms no part of the claimed design.

1 Claim, 7 Drawing Sheets



(56)

References Cited

U.S. PATENT DOCUMENTS

2,819,773 A * 1/1958 Lowell H04R 1/345
181/175
D188,542 S * 8/1960 Levy D14/216
D197,716 S * 3/1964 Boldt D14/216
3,188,374 A * 6/1965 Schotter H04R 1/025
181/175
3,201,529 A * 8/1965 Surh H04R 9/025
181/163
3,230,319 A * 1/1966 Kliewer H04R 7/122
181/137
3,240,882 A * 3/1966 Eichler H04R 9/06
335/231
3,581,015 A * 5/1971 Masuda H04R 1/222
381/177
D225,069 S * 11/1972 May D14/216
D250,586 S * 12/1978 Nussdorfer D14/216
4,220,832 A * 9/1980 Nagel H04R 1/24
381/182
4,277,653 A * 7/1981 Pawelzick H04R 1/025
181/150
4,292,679 A * 9/1981 Kondo F16C 11/00
181/171
4,313,040 A * 1/1982 Tsukamoto H04R 7/10
381/425
D270,909 S * 10/1983 Iijima D14/216
4,439,643 A * 3/1984 Schweizer H04R 1/021
181/153
4,492,826 A * 1/1985 Chiu H04R 1/24
181/144
4,508,941 A * 4/1985 Wiggins G01P 3/46
381/405
4,552,242 A * 11/1985 Kashiwabara H04R 1/24
181/144
4,554,414 A * 11/1985 House H04R 23/02
181/144
D289,041 S * 3/1987 Bittencourt D14/216
4,815,558 A * 3/1989 Krainhofer H04R 1/025
181/141
4,821,331 A * 4/1989 Murayama H04R 1/24
381/182
4,853,966 A * 8/1989 Skrzycki H04R 1/025
381/395
D320,020 S * 9/1991 Iwano D14/216
5,143,169 A * 9/1992 Ziegenberg H04R 7/02
181/144
5,153,915 A * 10/1992 Farella H04R 1/025
181/150
5,193,119 A * 3/1993 Tontini H04R 1/24
381/182
5,303,209 A * 4/1994 Frasl H04R 9/02
181/160

5,319,164 A * 6/1994 Shen H04R 1/025
181/150
5,323,469 A * 6/1994 Scholz H04R 7/24
381/403
D360,886 S * 8/1995 Hall D14/216
5,512,714 A * 4/1996 Fenton H04R 1/24
181/144
5,625,701 A * 4/1997 Scanlan H04R 7/16
381/403
D393,641 S * 4/1998 Hai-Fu D14/216
5,739,480 A * 4/1998 Lin H04R 1/24
181/144
D400,884 S * 11/1998 Christie, II D14/216
6,095,278 A * 8/2000 Lin H04R 9/06
181/148
D432,118 S * 10/2000 Honnert D14/216
6,393,132 B1 * 5/2002 Lin H04R 9/063
181/144
6,516,076 B1 * 2/2003 Marlin G10K 11/004
181/159
D480,709 S * 10/2003 Proni D14/216
6,647,124 B1 * 11/2003 Peng H04R 1/24
381/412
6,792,125 B1 * 9/2004 David H04R 1/025
381/152
D510,084 S * 9/2005 Hasbrook D14/221
D521,982 S * 5/2006 Schafernak D14/216
D529,899 S * 10/2006 Amada D14/221
D560,658 S * 1/2008 Akaishi D14/221
D593,073 S * 5/2009 Kurihara D14/216
8,175,320 B2 * 5/2012 Lin H04R 9/025
381/401
8,422,714 B2 * 4/2013 Peng H04R 1/2803
181/155
D705,193 S * 5/2014 Yoon D14/185
D723,010 S * 2/2015 Moon D14/222
9,036,839 B2 * 5/2015 Zhao H04R 9/04
381/182
9,253,576 B2 * 2/2016 Tripp H04R 9/04
D777,707 S * 1/2017 Kimura D14/216
D810,050 S * 2/2018 Uemoto D14/216
D840,375 S * 2/2019 Sakata D14/216
2005/0271236 A1 * 12/2005 Kobayashi H04R 1/24
381/396
2007/0023423 A1 * 2/2007 Suzuki H04R 31/003
219/633

FOREIGN PATENT DOCUMENTS

JP 1348907 S 1/2009
JP 1396787 S 9/2010
JP 1450113 S 9/2012
JP 1518778 S 3/2015

* cited by examiner

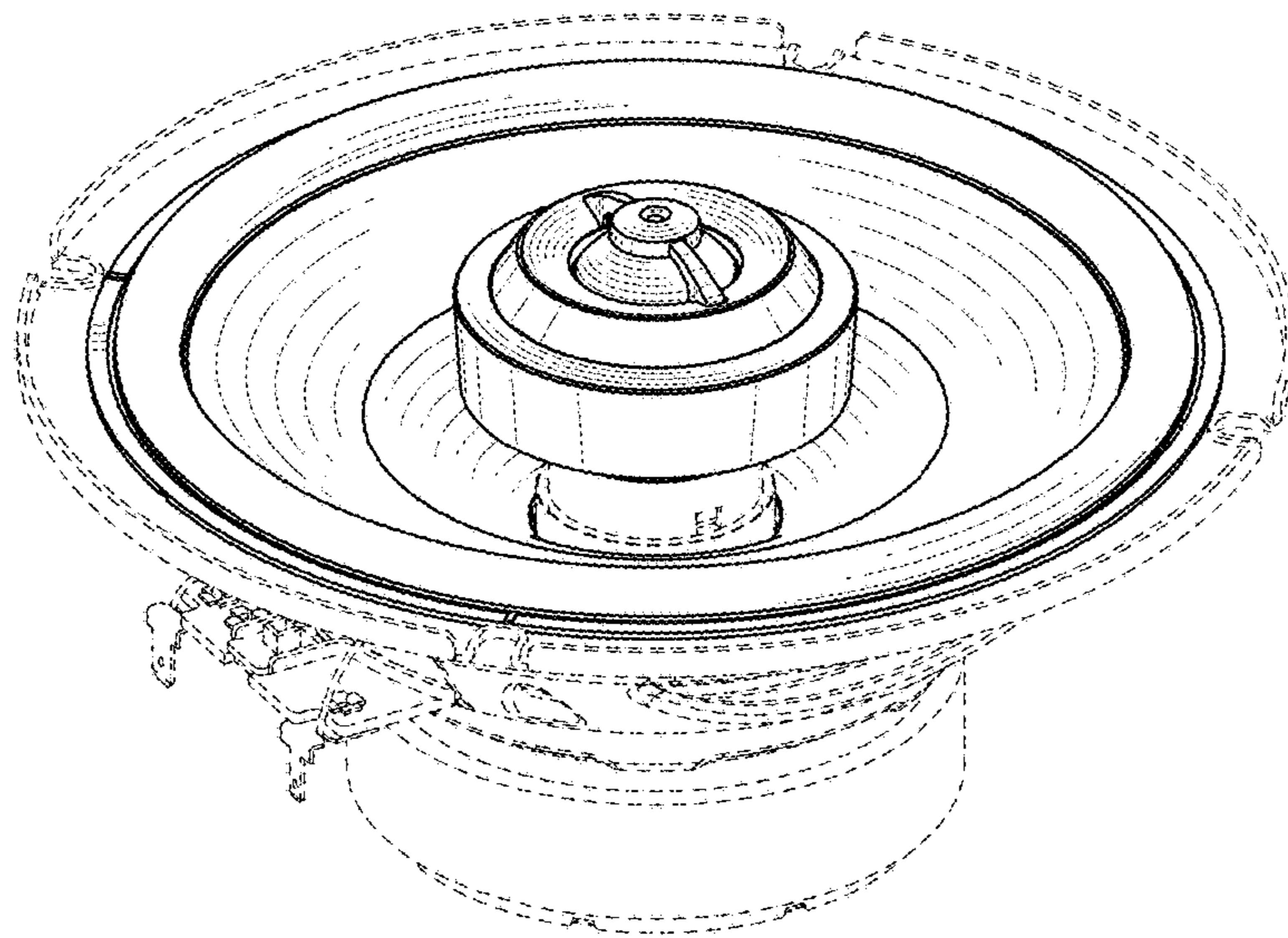


FIG. 1

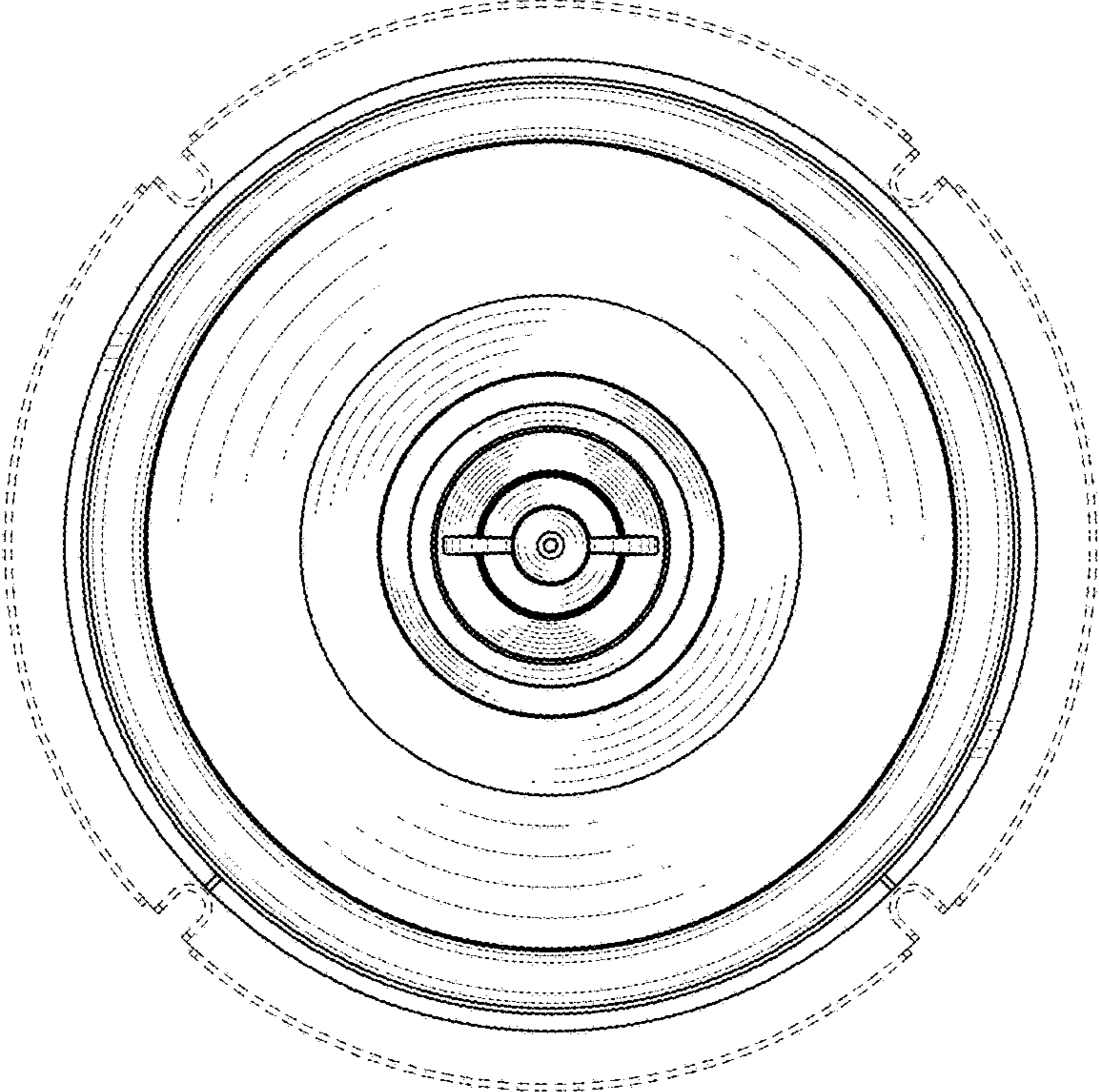


FIG. 2

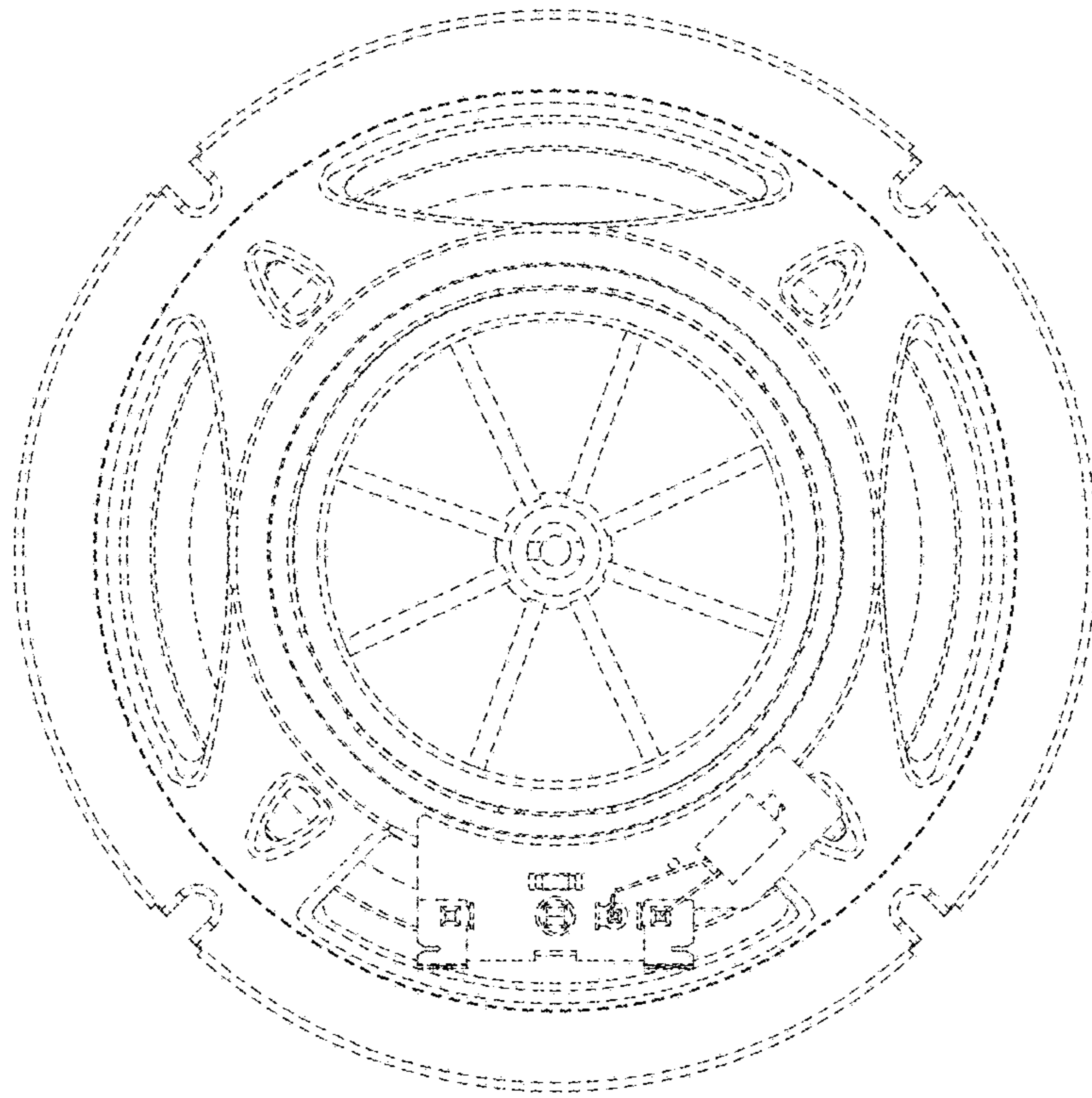


FIG. 3

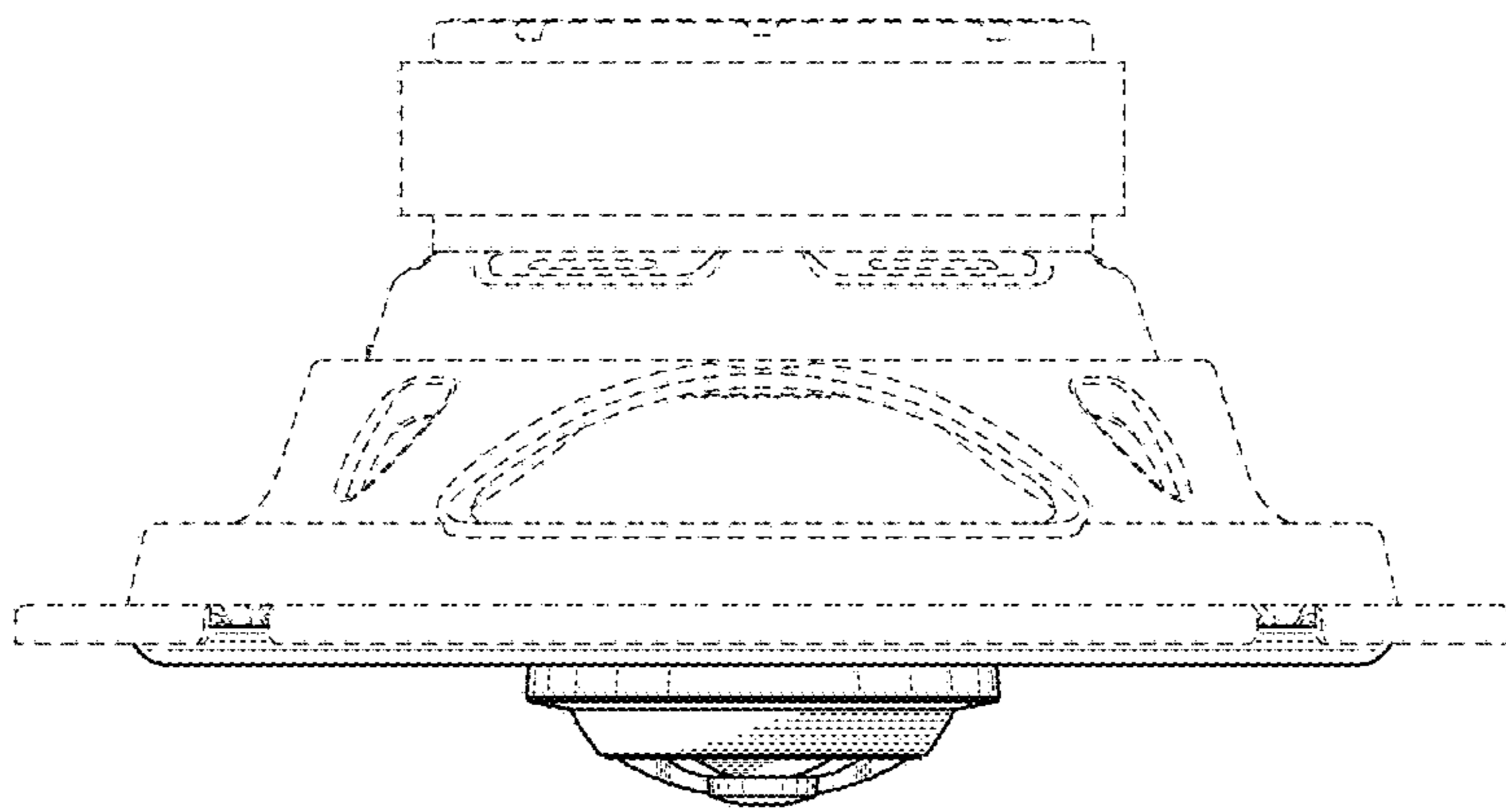


FIG. 4

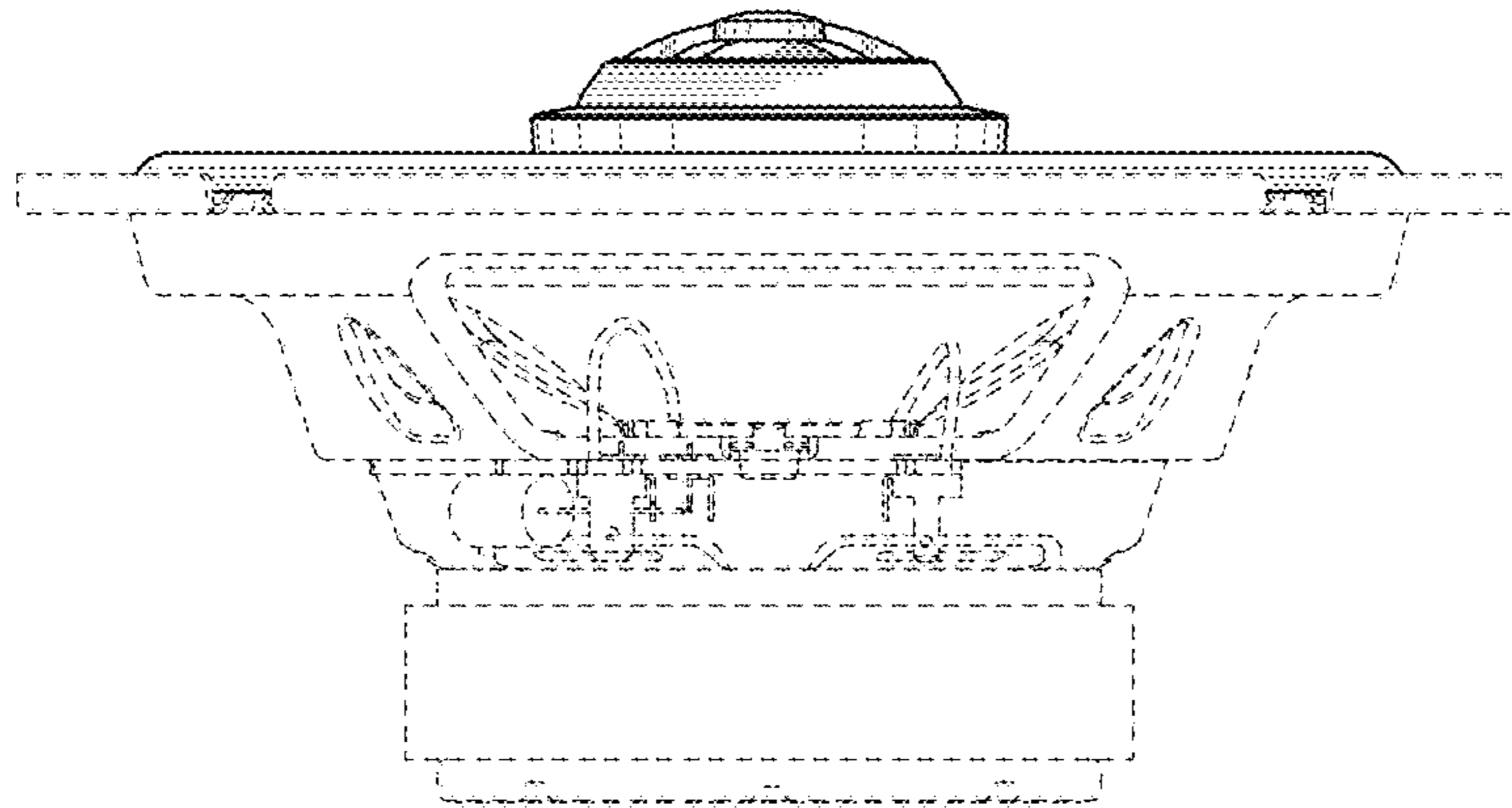


FIG. 5

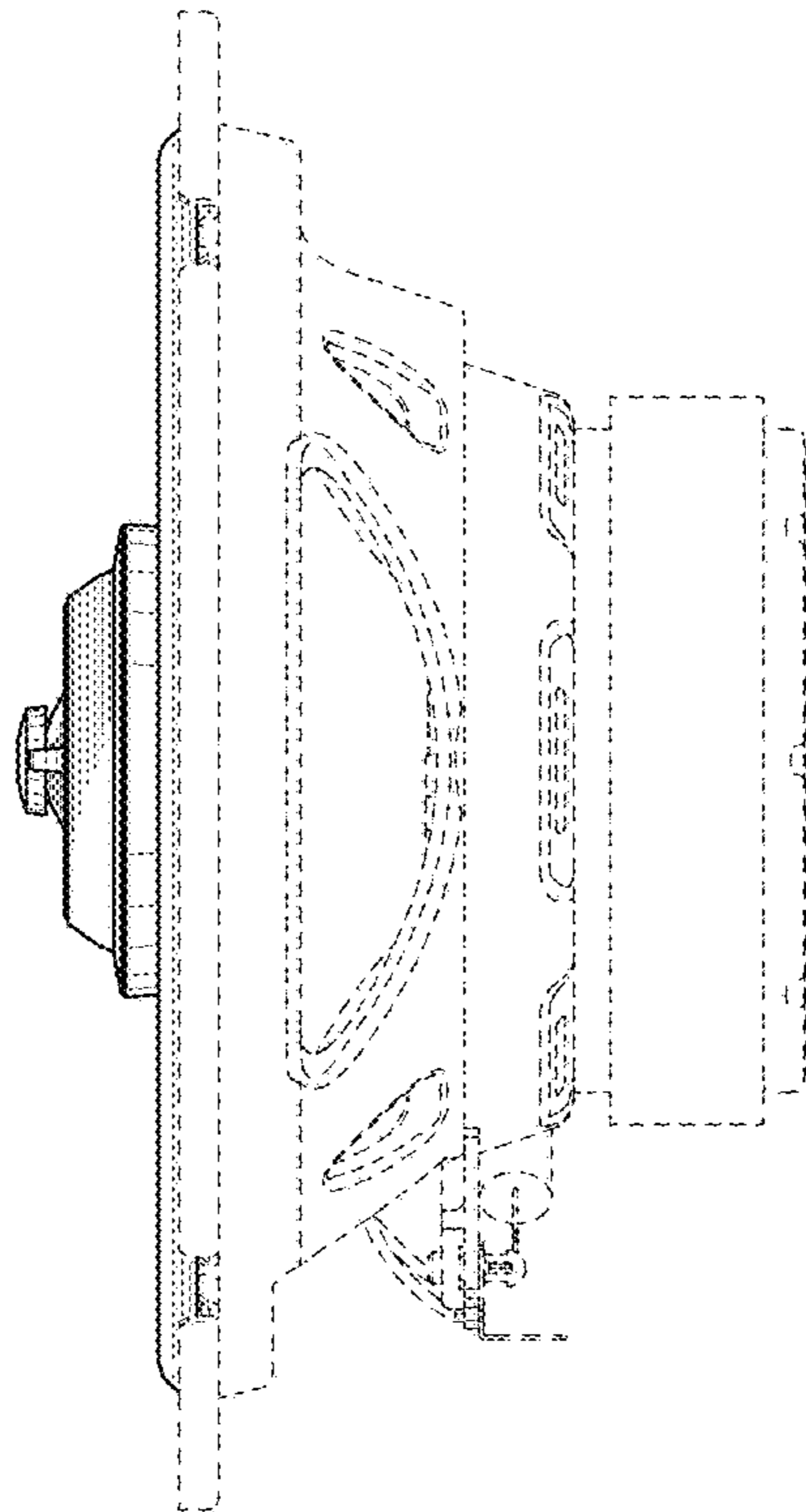


FIG. 6

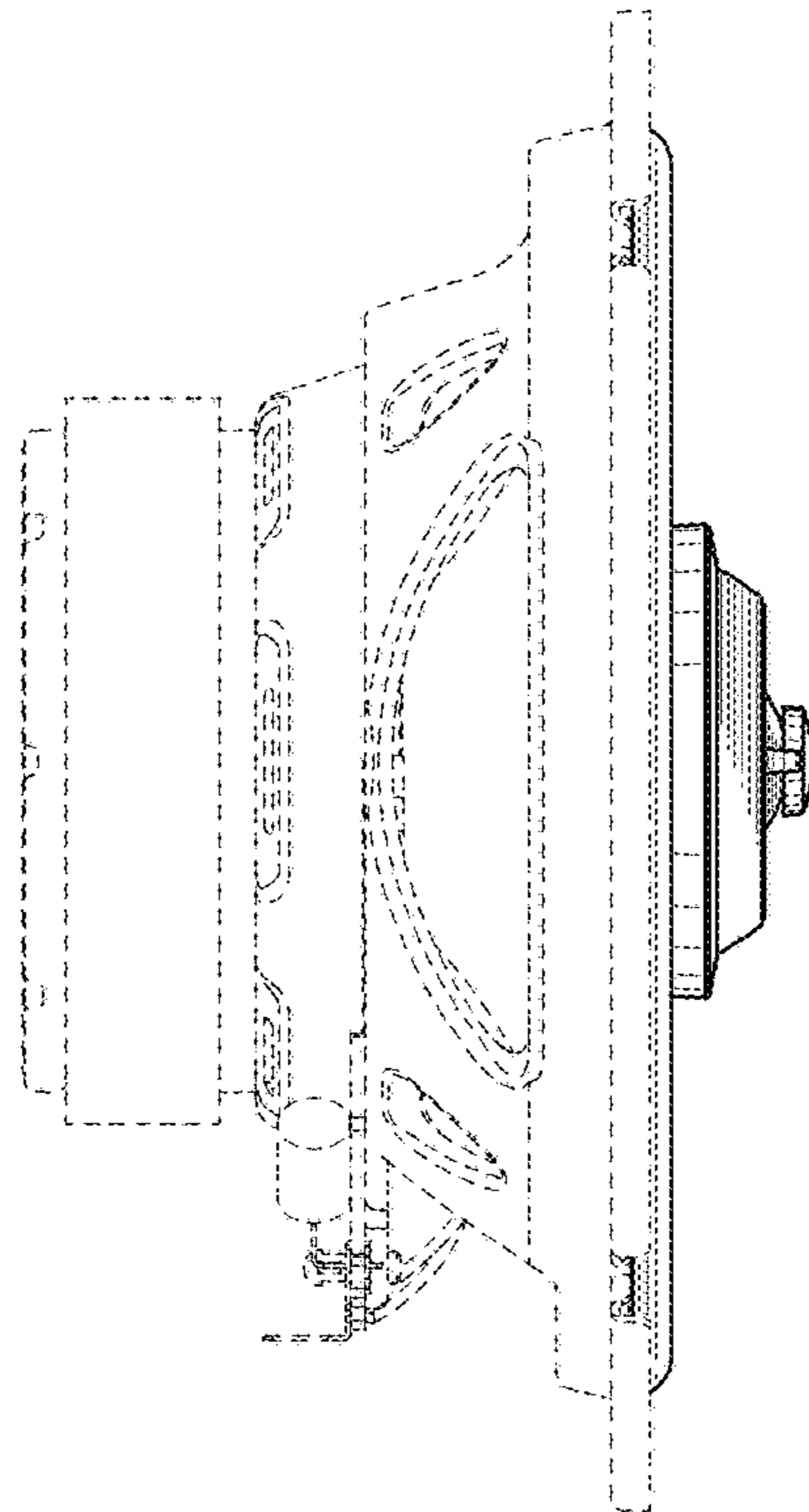


FIG. 7