

US00D864915S

(12) **United States Design Patent**
Moon et al.

(10) **Patent No.:** **US D864,915 S**

(45) **Date of Patent:** **** Oct. 29, 2019**

(54) **SURVEILLANCE CAMERA**

(71) Applicant: **HANWHA TECHWIN CO., LTD.**,
Seongnam-si (KR)

(72) Inventors: **Mi Jung Moon**, Changwon-si (KR);
Hyun Kyu Park, Changwon-si (KR)

(73) Assignee: **HANWHA TECHWIN CO., LTD.**,
Suwon-si (KR)

(**) Term: **15 Years**

(21) Appl. No.: **29/546,667**

(22) Filed: **Nov. 24, 2015**

Related U.S. Application Data

(63) Continuation of application No. 29/495,710, filed on
Jul. 3, 2014, now Pat. No. Des. 746,889.

(30) **Foreign Application Priority Data**

Jan. 3, 2014 (KR) 30-2014-0000414

(51) **LOC (12) Cl.** **16-05**

(52) **U.S. Cl.**
USPC **D14/219**

(58) **Field of Classification Search**

USPC D16/200, 202-208, 218, 219, 242;
348/143, 148, 151, 373-376; 396/419,
396/427, 535, 539-541; 248/176.1, 187.1
CPC G03B 17/02; G03B 19/04; G03B 17/56;
G03B 17/04; G03B 15/03; H04N 5/2251;
H04N 5/2252; H04N 5/2253; H04N
5/2254; H04N 7/181; H04N 7/183; H04N
7/18; G08B 13/1963; G08B 13/19619;
G08B 13/19632

See application file for complete search history.

(56) **References Cited**

U.S. PATENT DOCUMENTS

D410,480 S *	6/1999	Takagi	D16/202
D470,874 S *	2/2003	Chiu	D16/202
D517,584 S *	3/2006	Chen	D16/200
D517,587 S *	3/2006	Eroma	D16/200
D542,820 S *	5/2007	Depay	D16/202
D564,559 S *	3/2008	Stephens	D16/208
D614,220 S *	4/2010	Goldenberg	D16/130
D618,265 S *	6/2010	Wozniak	D16/202

(Continued)

FOREIGN PATENT DOCUMENTS

KR 30-2011-0052101 S 12/2012

Primary Examiner — Ramzi S Almatrahi

(74) *Attorney, Agent, or Firm* — Sughrue Mion, PLLC

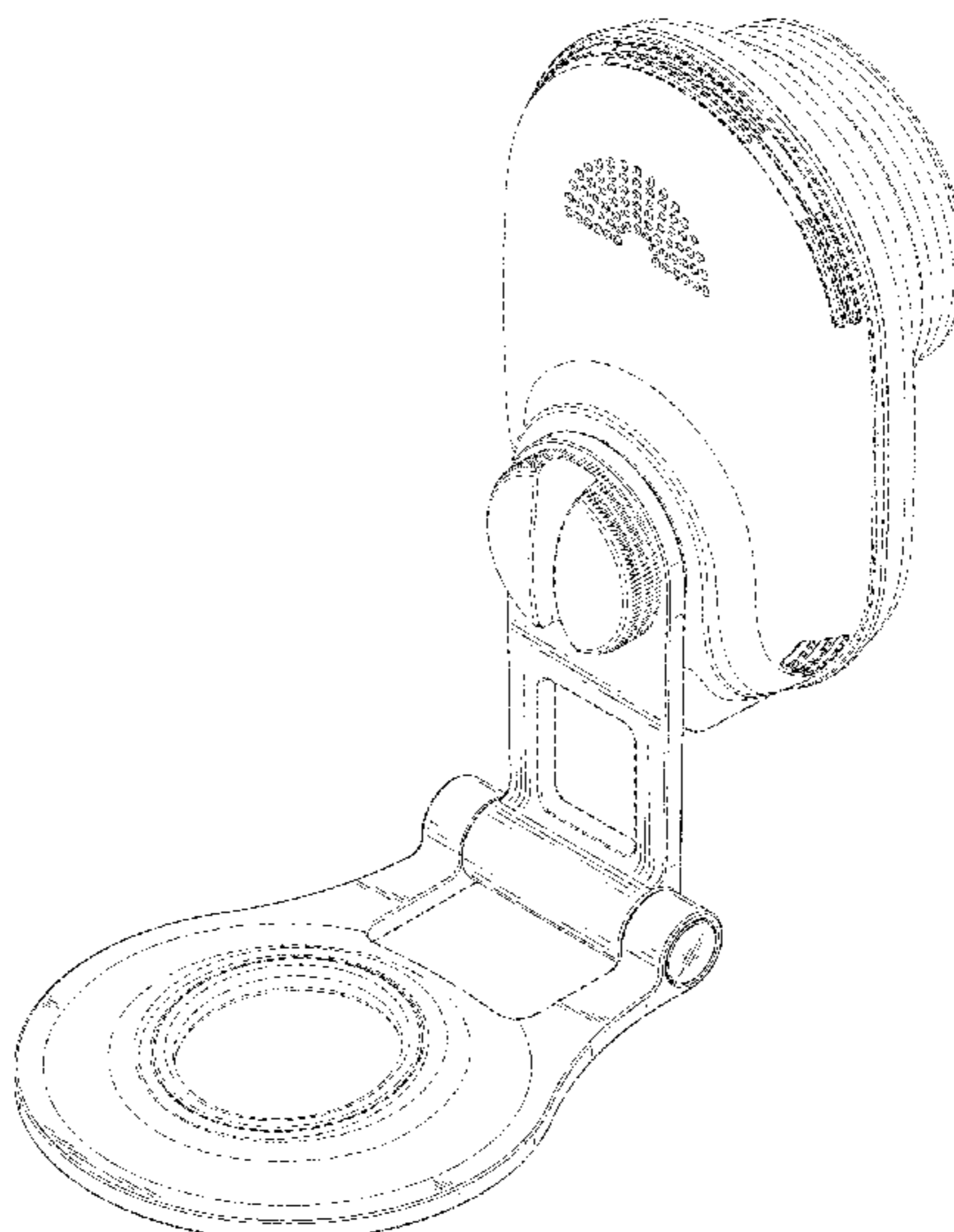
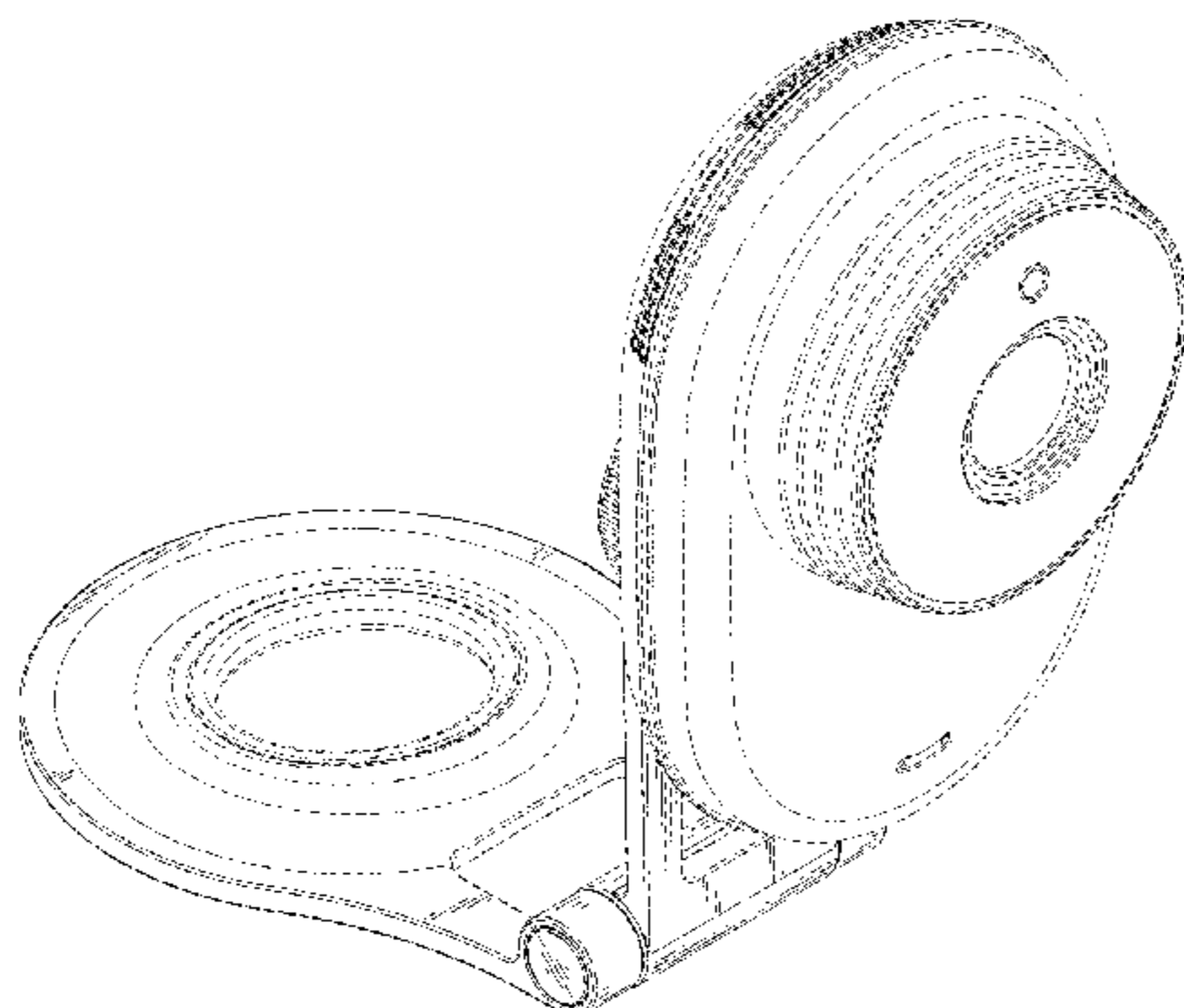
(57) **CLAIM**

The ornamental design for a surveillance camera, as shown
and described.

DESCRIPTION

FIG. 1 is a front perspective view of a surveillance camera
showing our new design;
FIG. 2 is a front elevational view of the surveillance camera;
FIG. 3 is a rear elevational view of the surveillance camera;
FIG. 4 is a left side elevational view of the surveillance
camera;
FIG. 5 is a right side elevational view of the surveillance
camera;
FIG. 6 is a top plan view of the surveillance camera;
FIG. 7 is a bottom view of the surveillance camera; and,
FIG. 8 is a rear perspective view of the surveillance camera.
The dash-dash broken lines depict portions of the surveil-
lance camera in which the design is embodied that form no
part of the claimed design. The dot-dash broken lines in the
figures define the boundaries of the claimed design but form
no part thereof.

1 Claim, 8 Drawing Sheets



(56)

References Cited

U.S. PATENT DOCUMENTS

D636,424	S	4/2011	Lin	
D692,473	S *	10/2013	Kawaguchi	D16/202
D697,119	S *	1/2014	Park	D16/202
D710,927	S *	8/2014	Eynav	D16/237
2005/0185087	A1 *	8/2005	Chiu	H04M 1/0264 348/373
2012/0019658	A1 *	1/2012	Mironichev	G08B 13/19602 348/143

* cited by examiner

FIG. 1

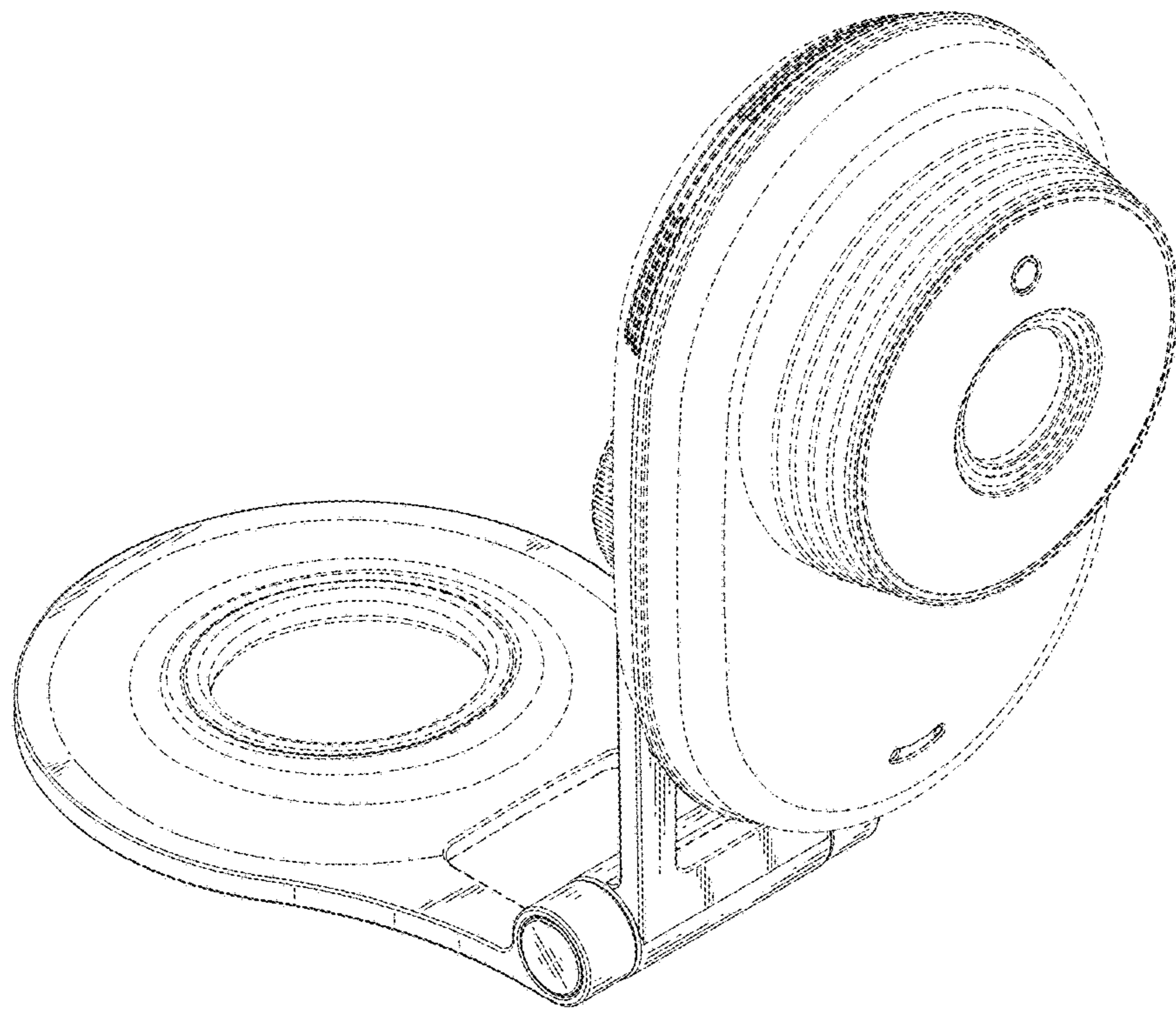


FIG. 2

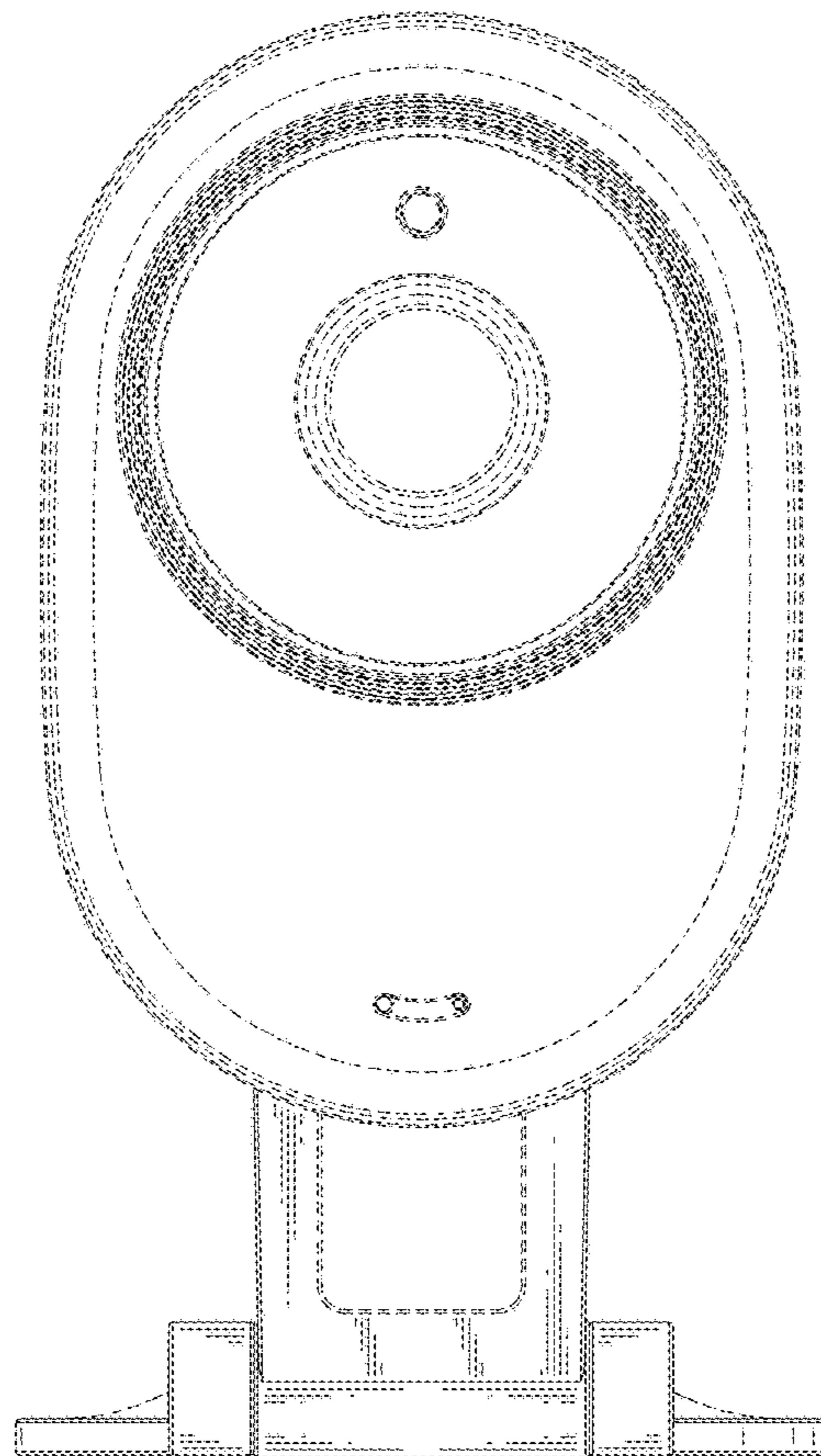


FIG. 3

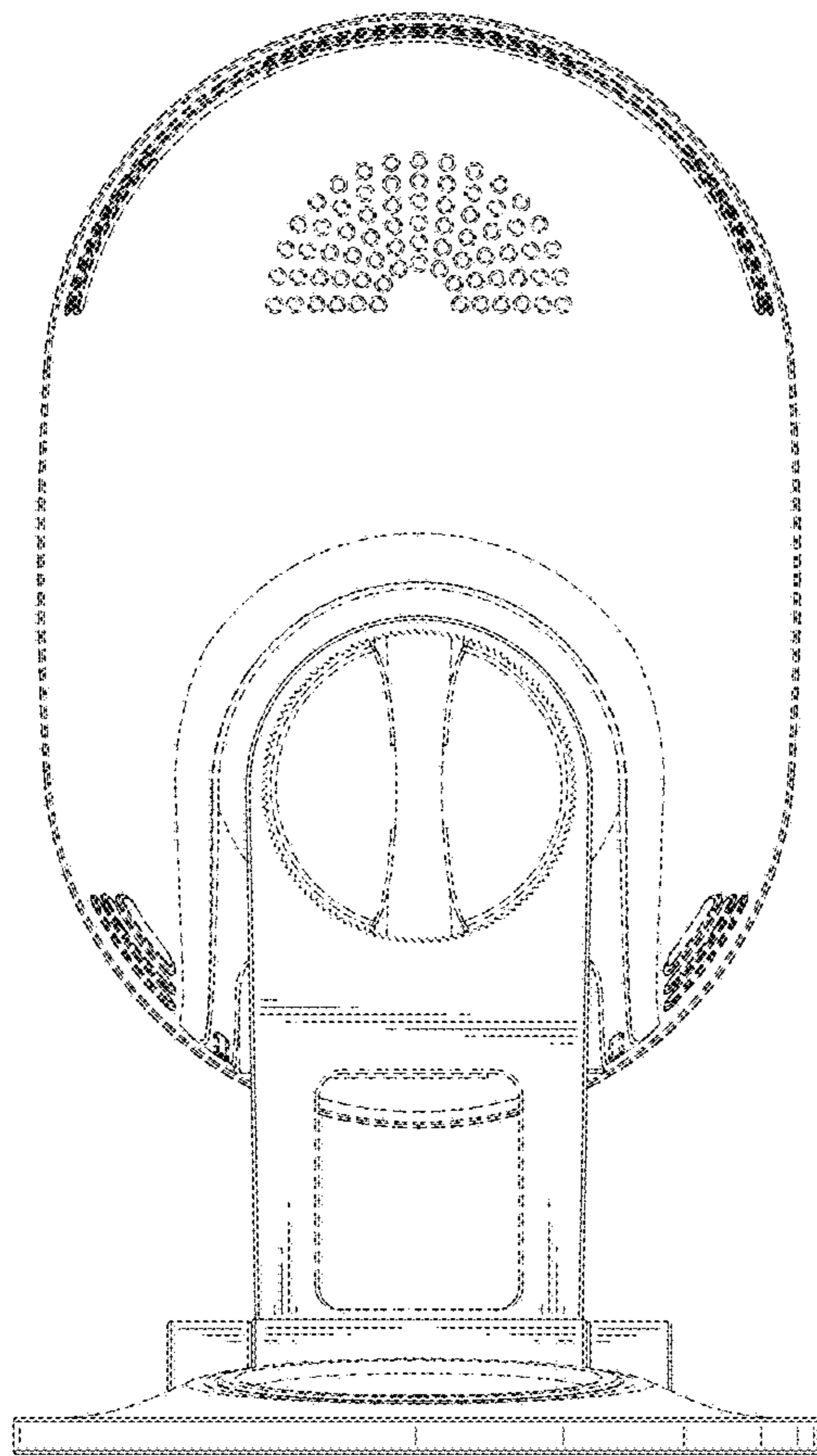


FIG. 4

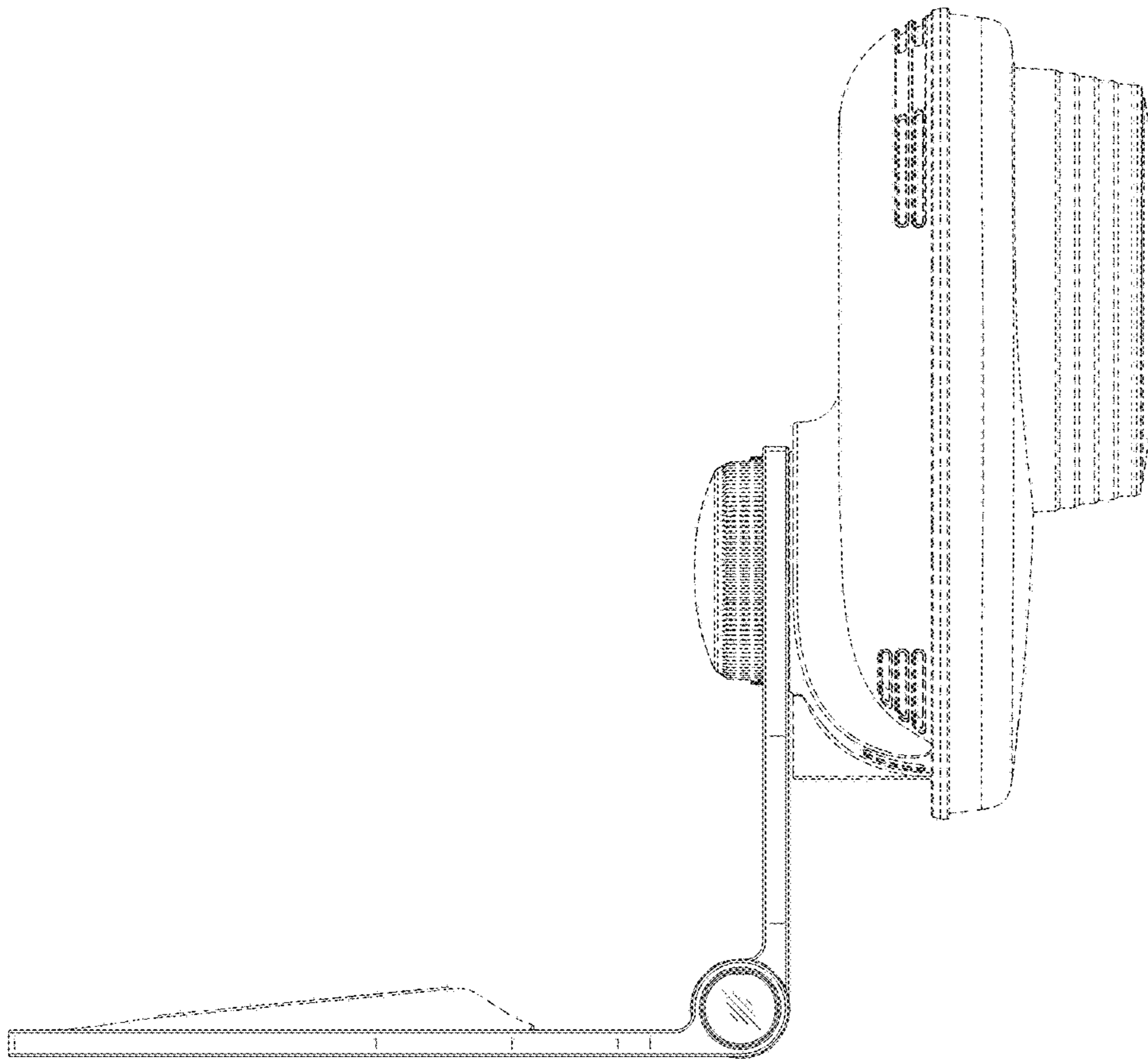


FIG. 5

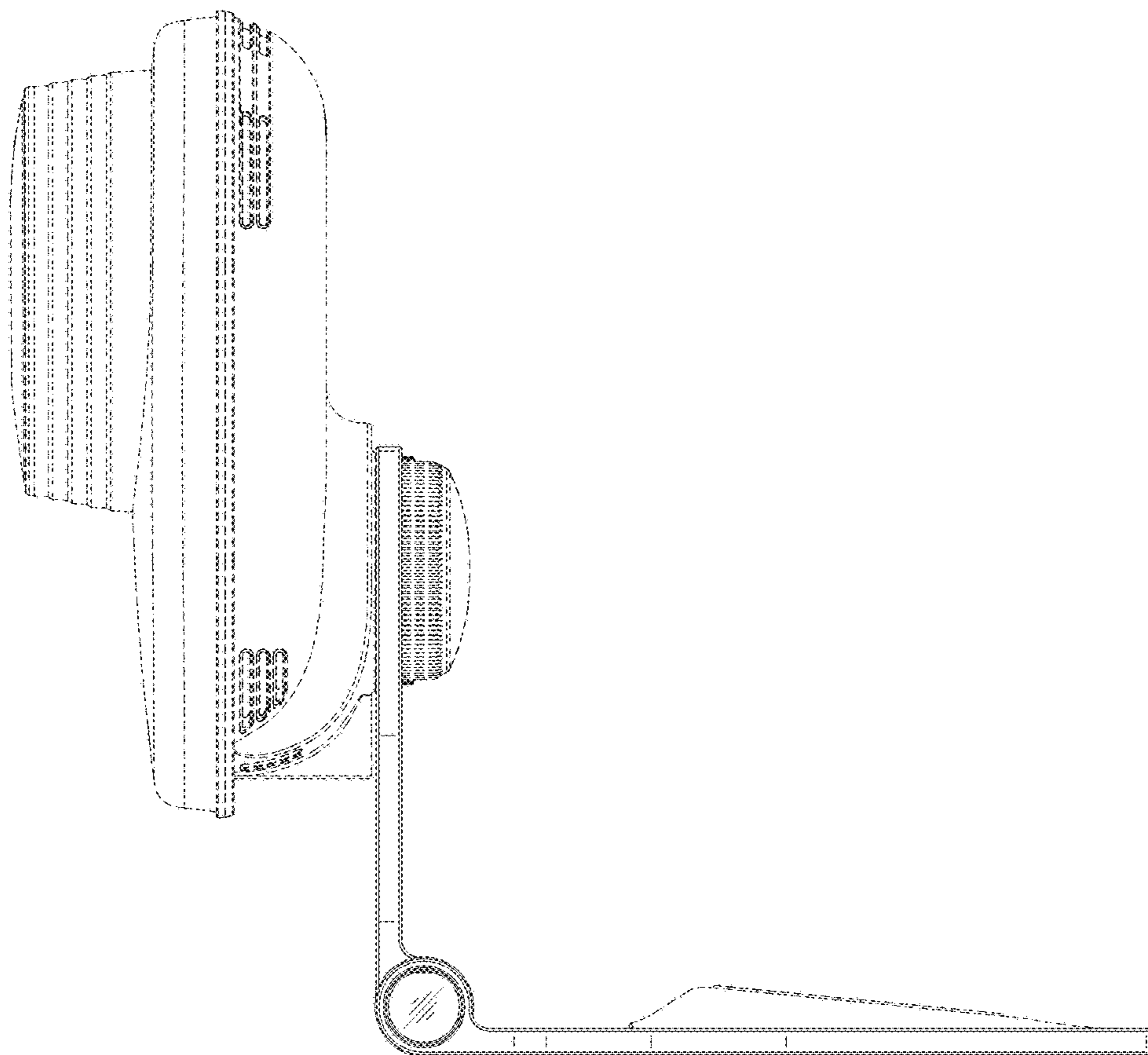


FIG. 6

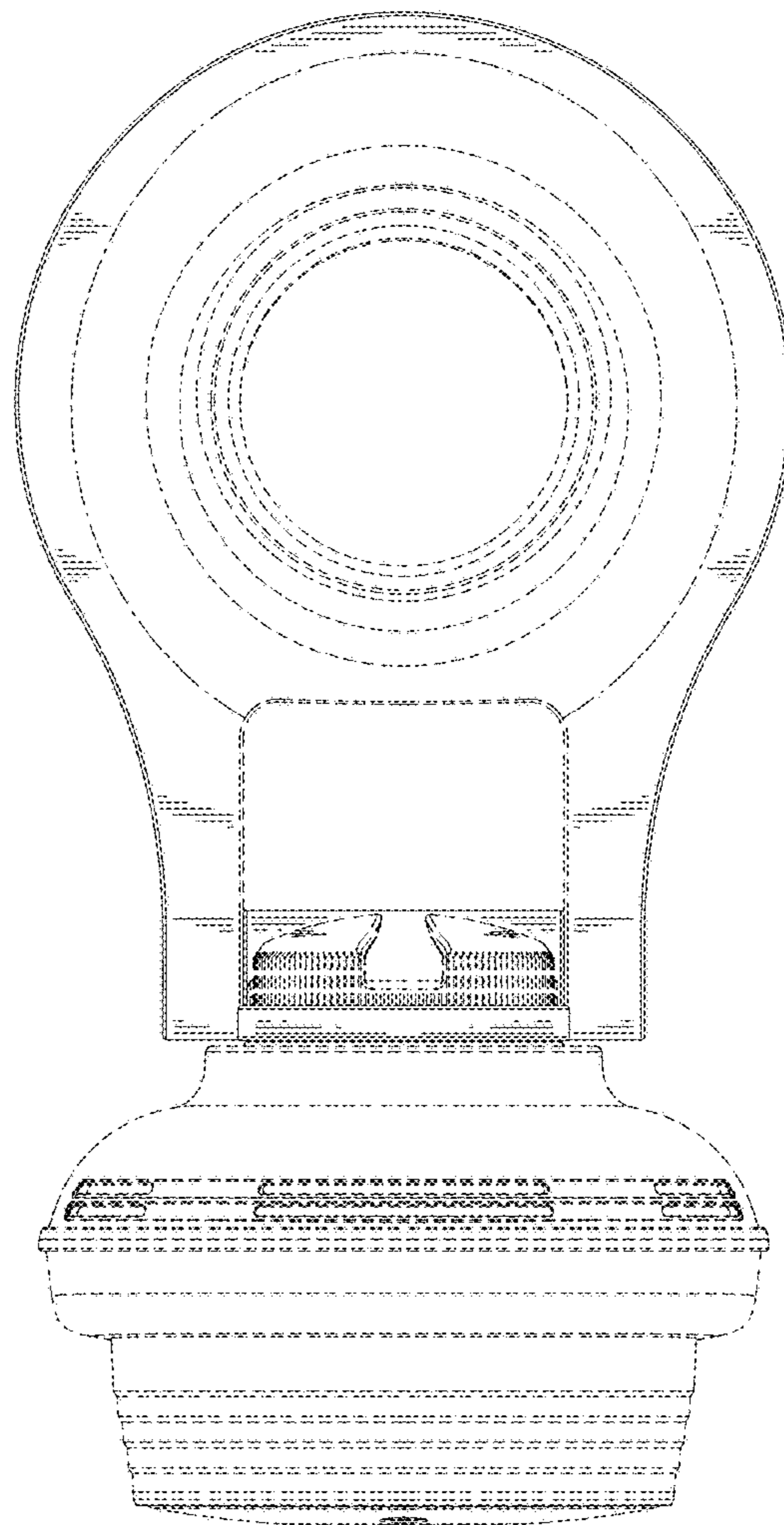


FIG. 7

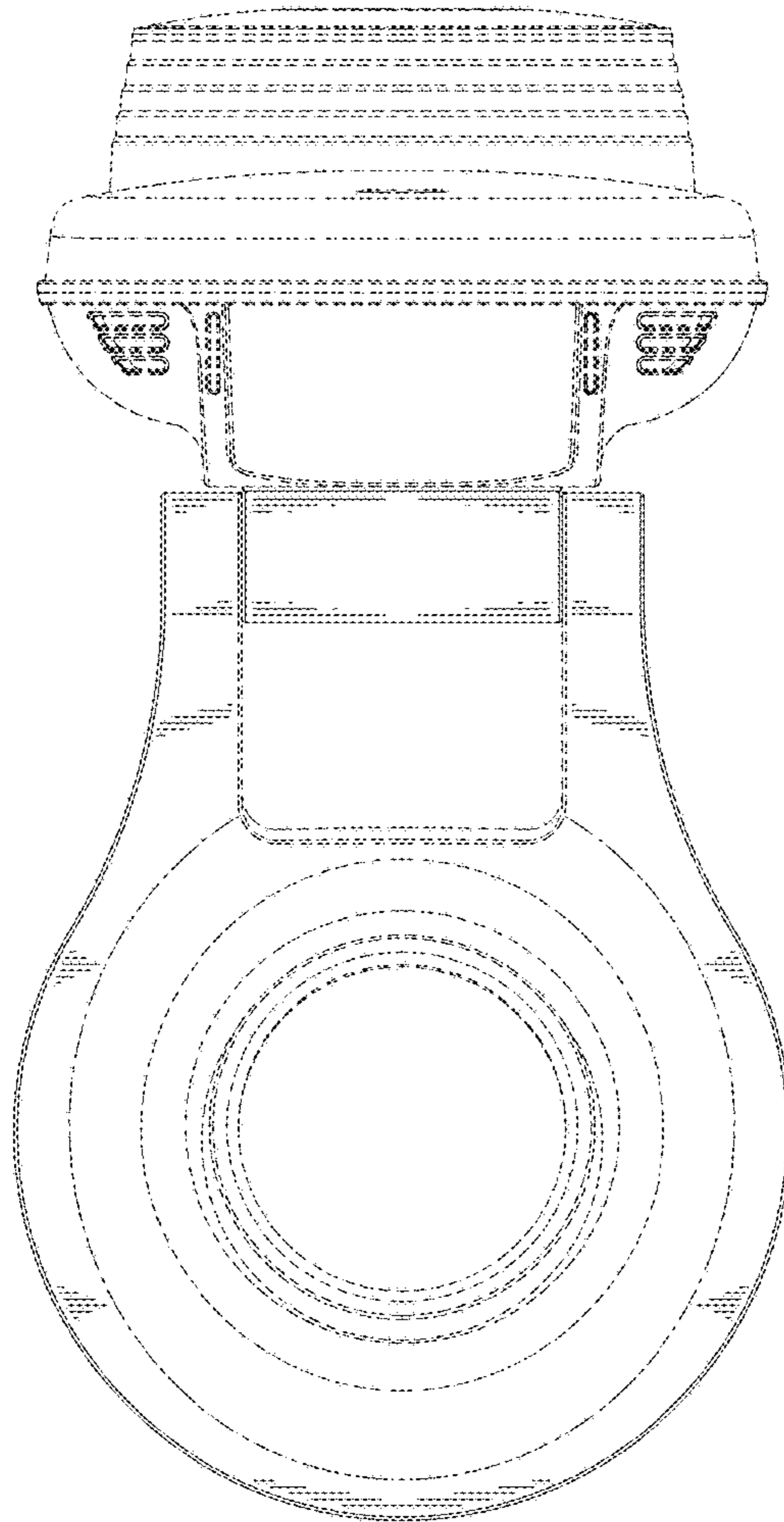


FIG. 8

