

US00D864913S

(12) **United States Design Patent**
Kitamura

(10) **Patent No.:** **US D864,913 S**
(45) **Date of Patent:** **** Oct. 29, 2019**

(54) **SPEAKER FOR AUTOMOBILE**
(71) Applicant: **PIONEER CORPORATION**, Tokyo (JP)
(72) Inventor: **Meiji Kitamura**, Tokyo (JP)
(73) Assignee: **PIONEER CORPORATION**, Tokyo (JP)
(**) Term: **15 Years**
(21) Appl. No.: **29/635,239**
(22) Filed: **Jan. 30, 2018**

(30) **Foreign Application Priority Data**

Aug. 8, 2017 (JP) 2017-017069

(51) **LOC (12) Cl.** **14-01**

(52) **U.S. Cl.**
USPC **D14/216; D14/221**

(58) **Field of Classification Search**
USPC D14/221, 222, 224, 216, 204; 181/129, 181/130, 135, 155, 156, 144, 148, 150, 181/151, 153; 381/380, 381, 345, 398, 381/423; 455/90.3, 575.1, 569.1
CPC . H04R 25/00; H04R 1/02; H04R 9/06; H04R 7/14; H04R 1/102; H04R 7/02; H04R 9/02; H05K 5/00

See application file for complete search history.

(56) **References Cited**

U.S. PATENT DOCUMENTS

2,071,828 A * 2/1937 Glen H04R 7/122
181/163
2,551,447 A * 5/1951 Marquis H04R 9/025
381/412
3,043,912 A * 7/1962 De Laney H04M 9/001
181/148
D198,377 S * 6/1964 Wassmann D14/216

3,135,349 A * 6/1964 Lahti H04R 1/36
181/151
3,152,661 A * 10/1964 Wolff H04R 7/06
181/168
3,188,374 A * 6/1965 Schotter H04R 1/025
181/175

(Continued)

FOREIGN PATENT DOCUMENTS

JP 1191943 S 12/2003
JP 1241800 S 6/2005

(Continued)

OTHER PUBLICATIONS

Pioneer Catalog published in 2016, Audio & AV 2017 Car Entertainment Dealer Reference Guide vol. 1, pp. 62-65.

Primary Examiner — Paula Allen Greene
(74) *Attorney, Agent, or Firm* — Drinker Biddle & Reath LLP

(57) **CLAIM**

The ornamental design for the speaker for automobile, as shown and described.

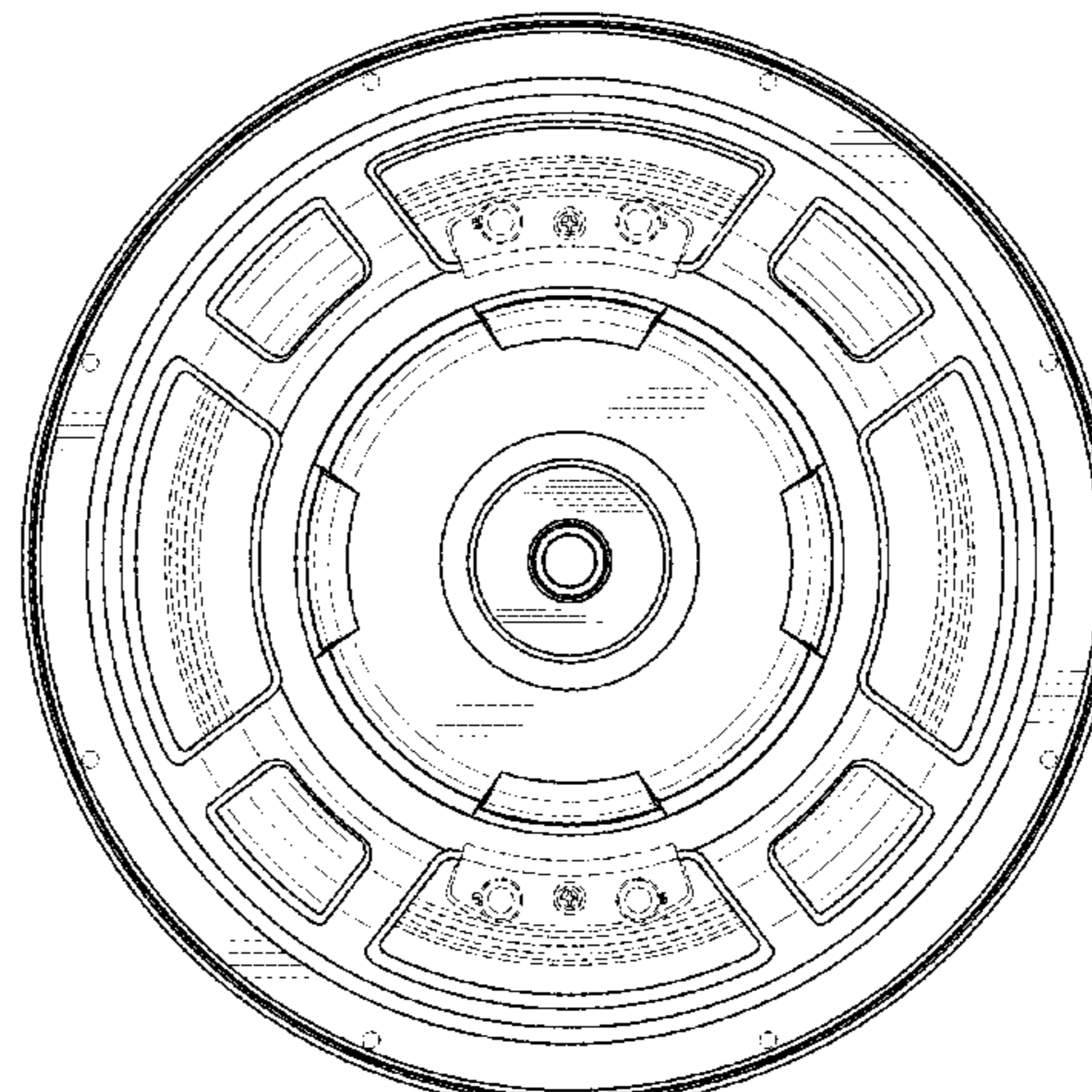
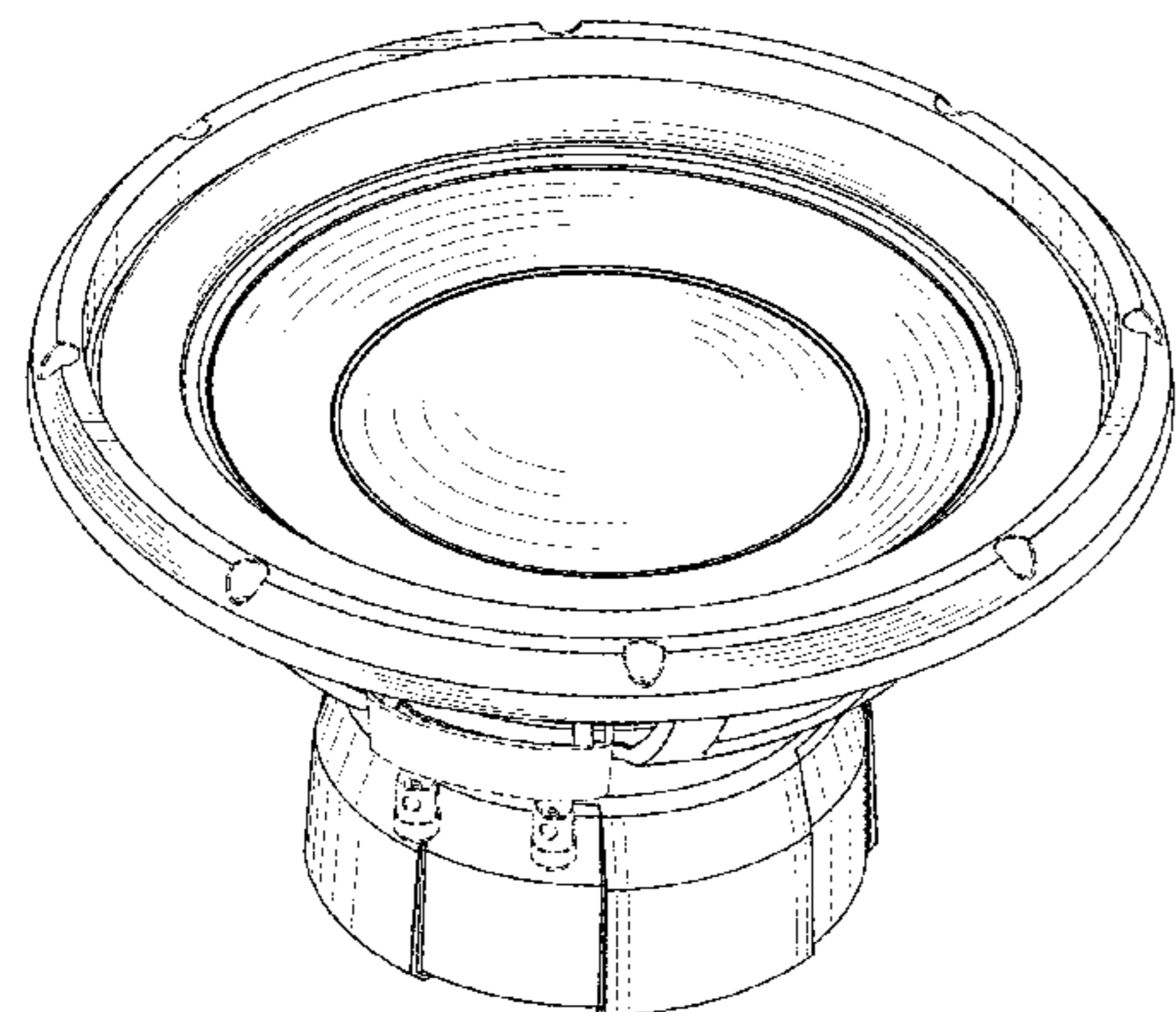
DESCRIPTION

FIG. 1 is a perspective view of a speaker for automobile showing my new design;
FIG. 2 is a front view thereof;
FIG. 3 is a rear view thereof;
FIG. 4 is a right side view thereof;
FIG. 5 is a left side view thereof;
FIG. 6 is a top view thereof; and,
FIG. 7 is a bottom view thereof.

The broken line showing of the speaker for automobile is included for the purpose of illustrating portions of the speaker for automobile and forms no part of the claimed design.

The broken lines depict environment that forms no part of the claimed design.

1 Claim, 7 Drawing Sheets



(56)

References Cited

U.S. PATENT DOCUMENTS

3,575,370 A * 4/1971 Morris H04R 1/025
24/373
D239,538 S * 4/1976 Wagner D14/216
D250,586 S * 12/1978 Nussdorfer D14/216
D254,252 S * 2/1980 Matsubara 181/157
4,289,929 A * 9/1981 Hathaway H04R 1/02
181/145
4,365,114 A * 12/1982 Soma H04R 1/323
181/144
D270,909 S * 10/1983 Iijima D14/216
4,733,748 A * 3/1988 Ponticelli, Jr. H04R 1/025
181/141
4,811,406 A * 3/1989 Kawachi H04R 1/26
381/182
4,815,558 A * 3/1989 Krainhofer H04R 1/025
181/141
D320,020 S * 9/1991 Iwano D14/216
5,073,948 A * 12/1991 Vandersteen H04R 9/06
381/412
D393,641 S * 4/1998 Hai-Fu D14/216
5,739,480 A * 4/1998 Lin H04R 1/24
181/144
5,909,015 A * 6/1999 Yamamoto H04R 9/022
181/156
6,002,780 A * 12/1999 Espiritu H04R 1/20
181/144
6,095,278 A * 8/2000 Lin H04R 9/06
181/148

D432,118 S * 10/2000 Honnert D14/216
D442,945 S * 5/2001 Mahgerefteh D14/221
D448,017 S * 9/2001 Hasbrook D14/216
D480,709 S * 10/2003 Proni D14/216
D483,740 S * 12/2003 Yim D14/216
D486,818 S * 2/2004 Shindo D14/216
D502,939 S * 3/2005 Dayan D14/216
D505,671 S * 5/2005 Dayan D14/216
D526,312 S * 8/2006 Kuribayashi D14/221
D542,779 S * 5/2007 Pantaleone D14/216
D560,210 S * 1/2008 Marshall D14/216
D568,300 S * 5/2008 Akaishi D14/222
7,822,221 B2 * 10/2010 Watanabe H04R 1/06
381/150
8,175,321 B2 * 5/2012 Bryant H04R 7/122
381/396
8,422,714 B2 * 4/2013 Peng H04R 1/2803
181/155
2002/0025059 A1 * 2/2002 Kudo H04R 7/125
381/423

FOREIGN PATENT DOCUMENTS

JP 1269145 S 4/2006
JP 1318645 S 1/2008
JP 1318822 S 1/2008
JP 1329052 S 5/2008
JP 1405269 S 1/2011
JP 1460825 S 2/2013
JP 1588864 S 10/2017
JP 1588865 S 10/2017

* cited by examiner

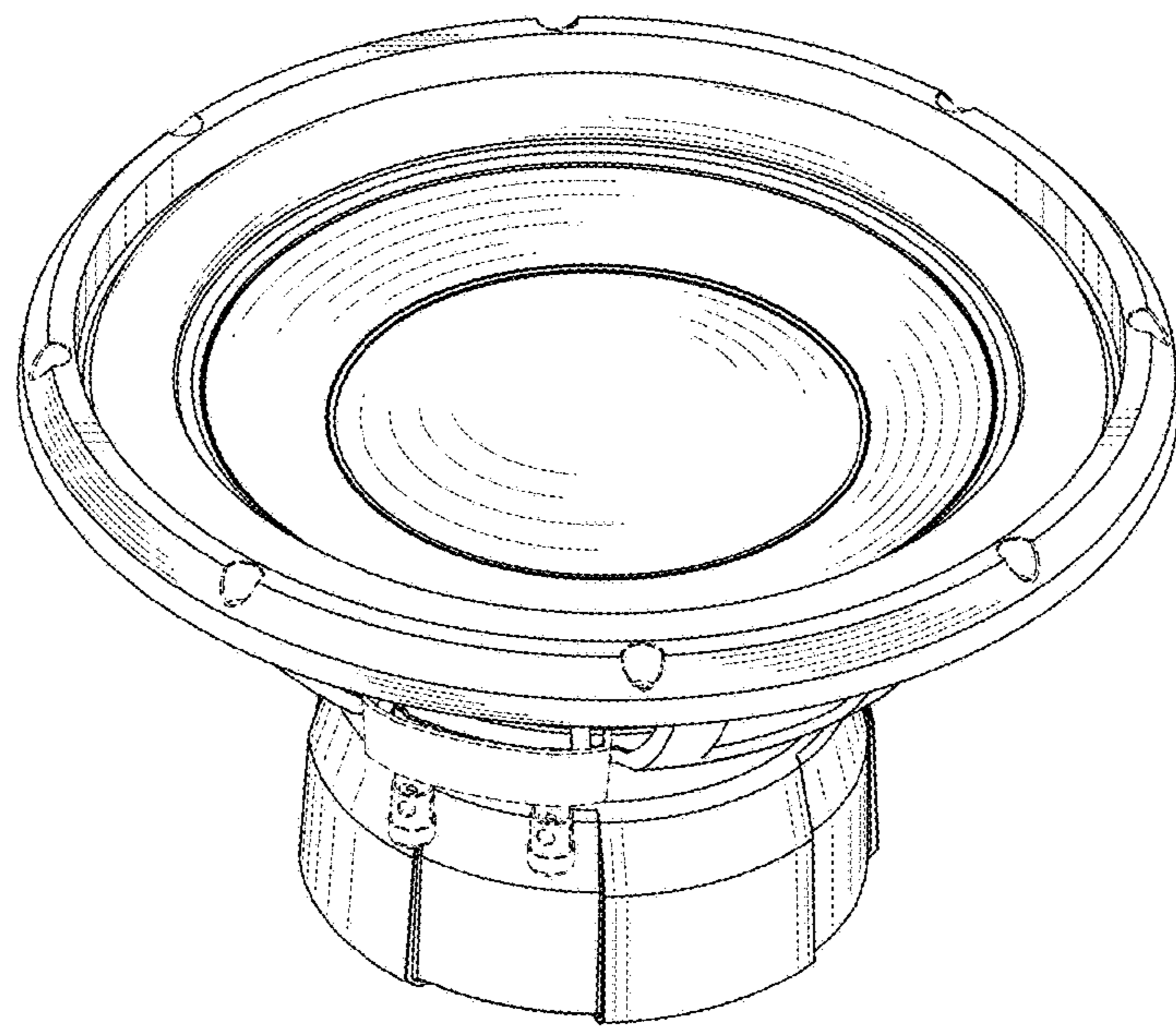


FIG. 1

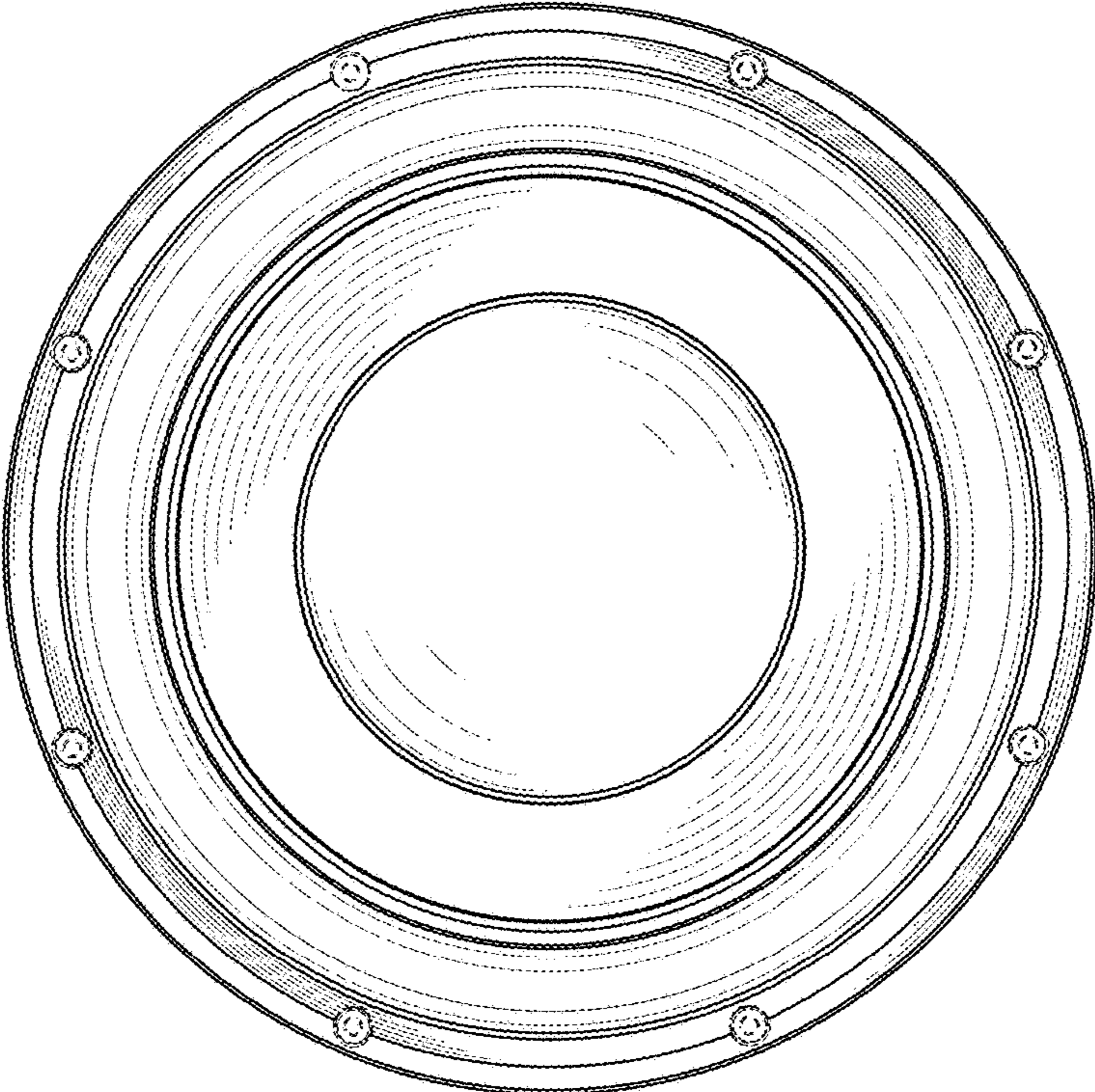


FIG. 2

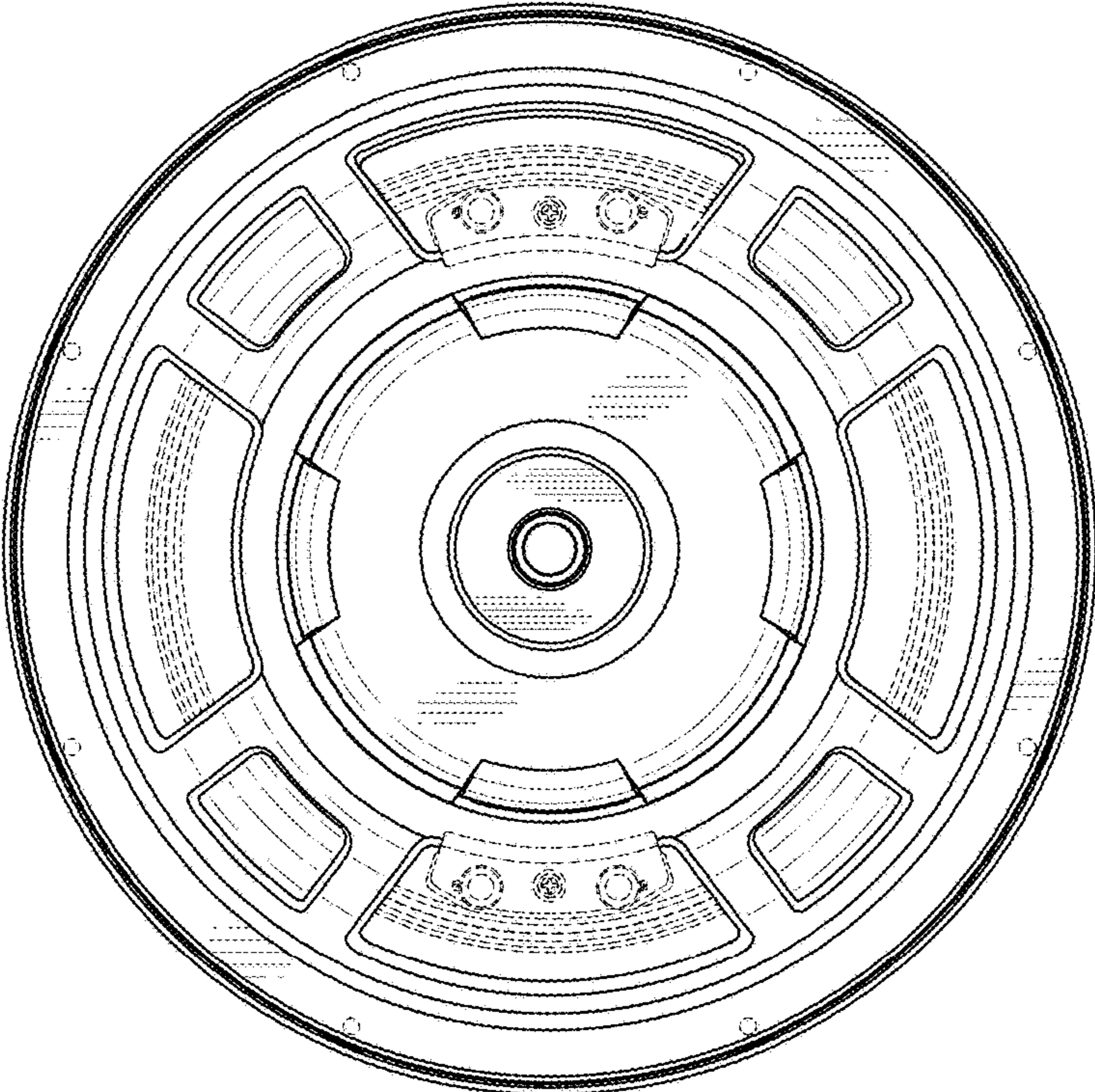


FIG. 3

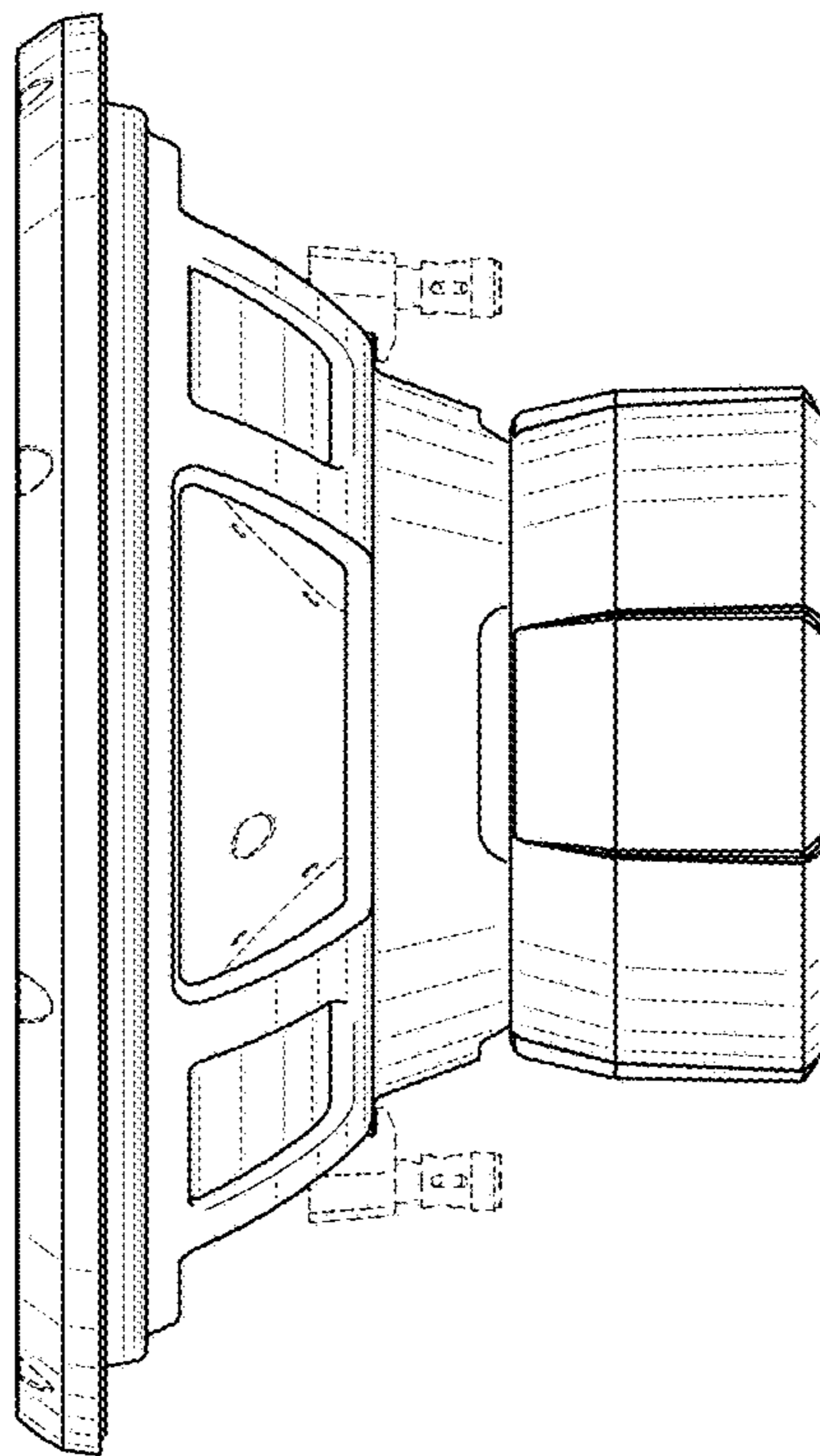


FIG. 4

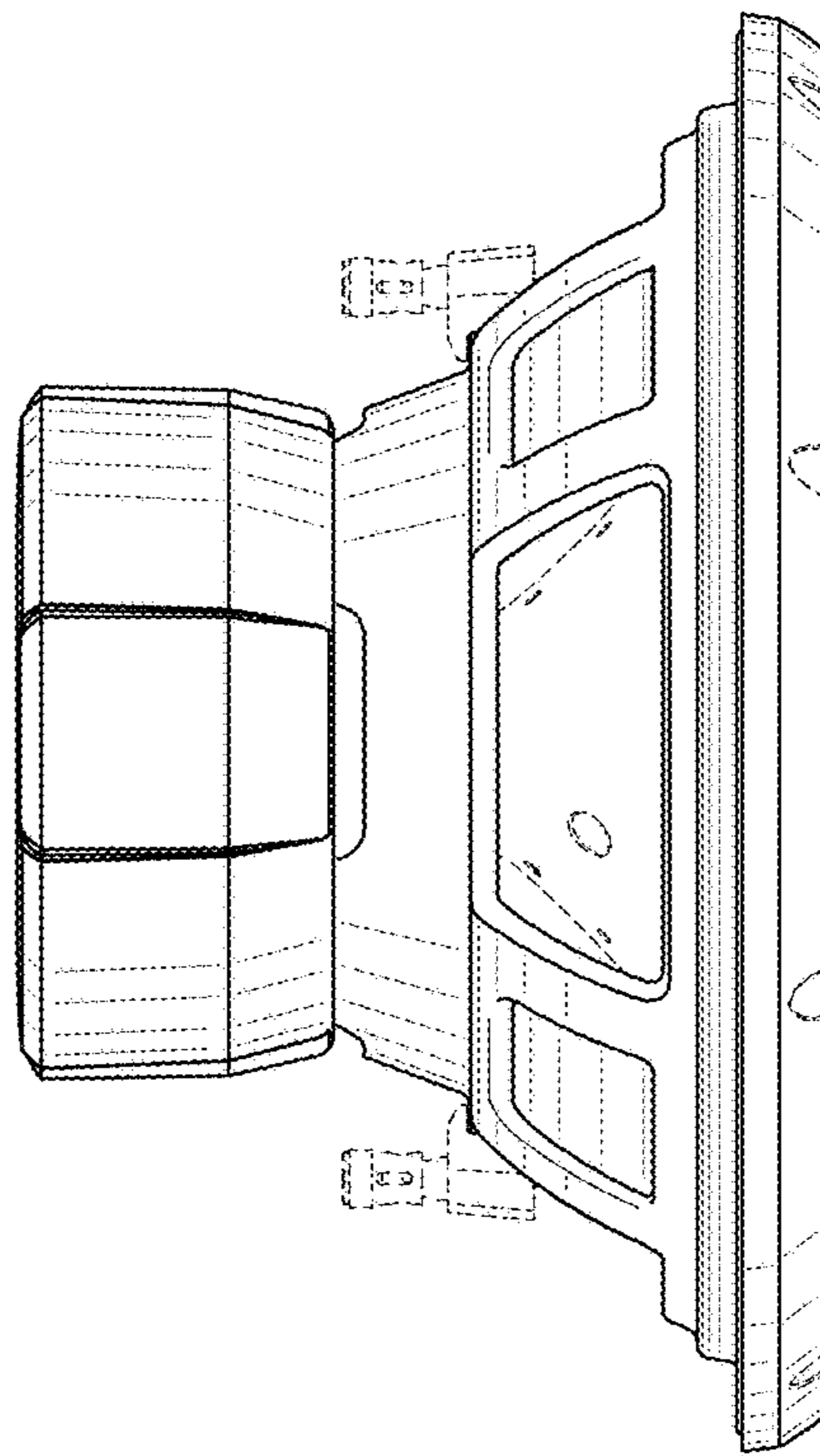


FIG. 5

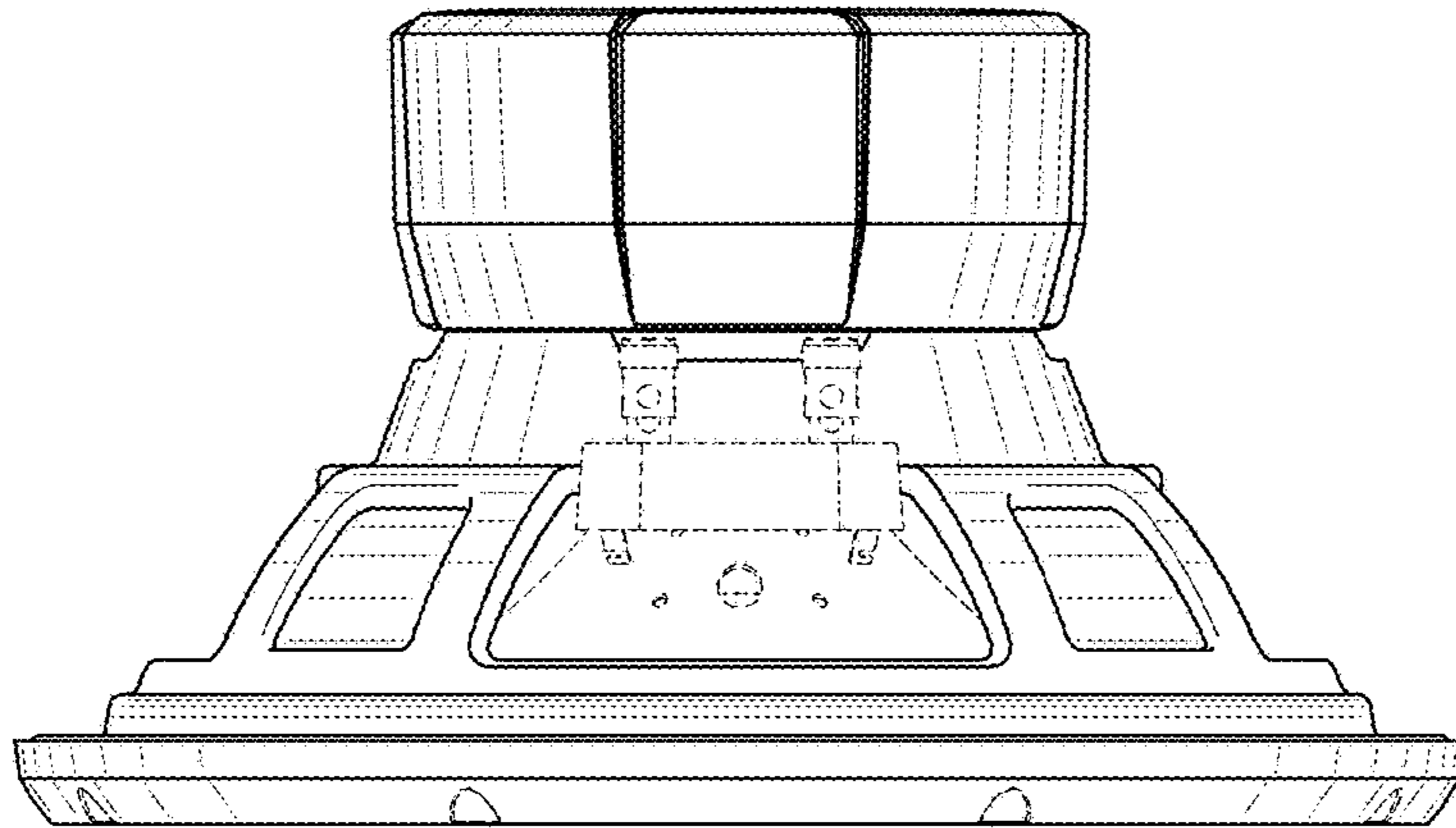


FIG. 6

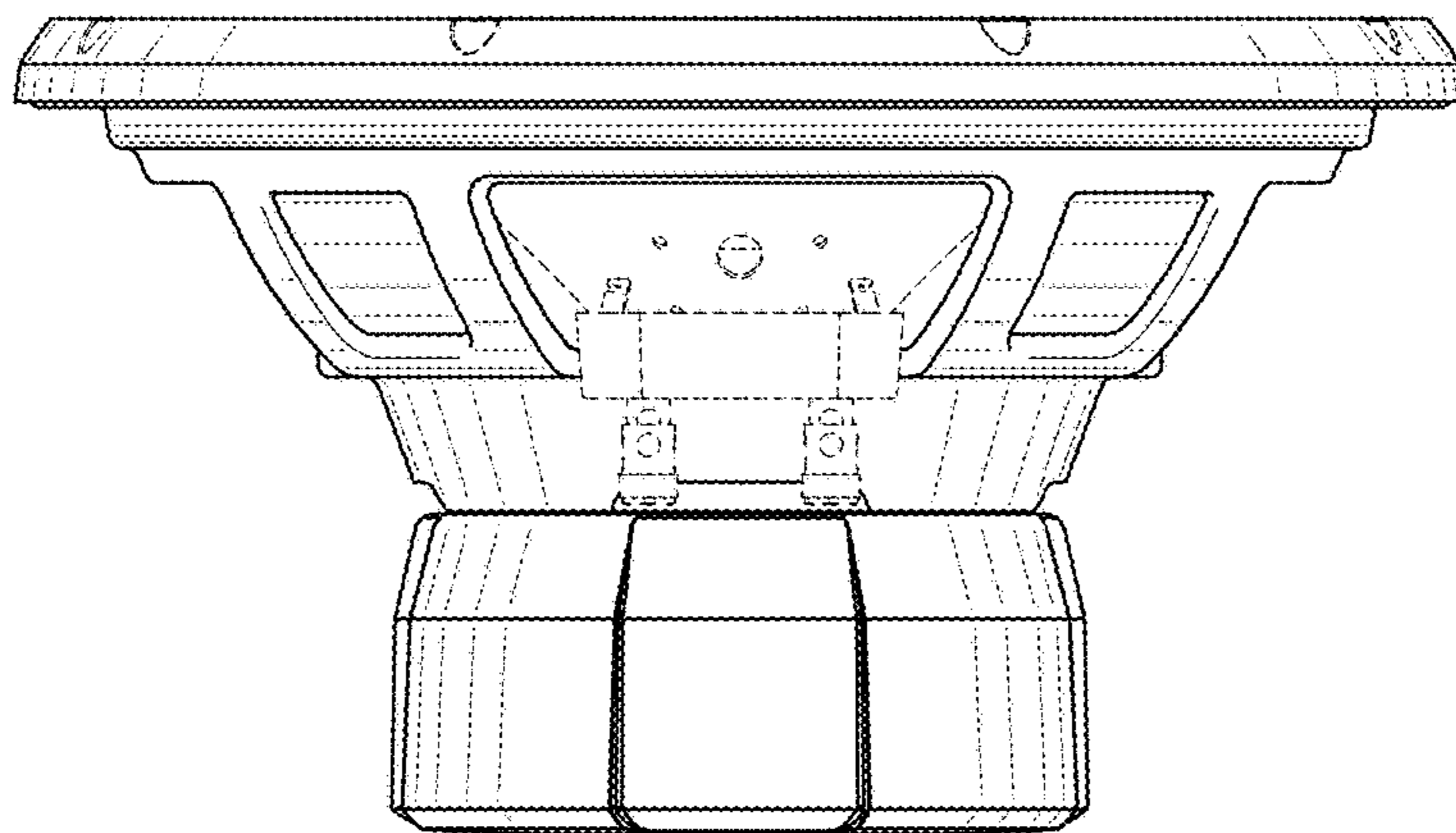


FIG. 7