

US00D864911S

(12) **United States Design Patent**
Espinosa et al.

(10) **Patent No.:** **US D864,911 S**
(45) **Date of Patent:** **** Oct. 29, 2019**

(54) **LOUDSPEAKER**

(71) Applicant: **Meyer Sound Laboratories, Incorporated**, Berkeley, CA (US)

(72) Inventors: **Pablo Espinosa**, Pleasanton, CA (US);
Michael Schneider, Emeryville, CA (US); **Paul Bunning**, Berkeley, CA (US); **Jon M. Arneson**, Napa, CA (US); **Katrin Rawks**, El Cerrito, CA (US)

(73) Assignee: **Meyer Sound Laboratories, Incorporated**, Berkeley, CA (US)

(**) Term: **15 Years**

(21) Appl. No.: **29/607,325**

(22) Filed: **Jun. 12, 2017**

(51) **LOC (12) Cl.** **14-01**

(52) **U.S. Cl.**
USPC **D14/216**

(58) **Field of Classification Search**
USPC D14/203.1, 204–206, 208–210, 212, 213, D14/214–217, 219, 221, 222, 223–225, D14/249, 372, 433, 138 R, 182, 188, D14/191–194, 172, 496; D29/112; D28/41; D2/875; D24/174, 173, 106; D12/195, 192, 204; D13/118, 108, 119; D8/330, 341; D3/294, 273
CPC H04R 25/02; H04R 25/00; H04R 1/10; H04R 1/1016; H04R 1/105; H04R 1/1083; H04R 1/02; H04R 1/1041; H04R 5/033; H04R 7/00; H04R 2420/07; H04R 2430/01; H04R 25/65; H04R 25/656; H04R 25/658; H04R 27/00; H04R 2205/021; H04R 1/28; H04R 1/05; H04R 5/0335; A61F 11/00;

(Continued)

(56) **References Cited**

U.S. PATENT DOCUMENTS

D181,291 S * 10/1957 Hoagg D12/211
D185,505 S * 6/1959 Lowell D14/219

(Continued)

FOREIGN PATENT DOCUMENTS

CN 303190159 * 4/2015
CN 304175522 * 6/2017

(Continued)

OTHER PUBLICATIONS

Community Professional D10SUB, published 2019 [online], [retrieved Mar. 13, 2019], Available from Internet, URL: <<http://www.sourceen54.eu/technical-details/community-professional-loudspeakers-d10sub-ceiling-speaker.html>>.*

(Continued)

Primary Examiner — Barbara Fox

Assistant Examiner — Mary Claire Ramirez

(74) *Attorney, Agent, or Firm* — Beeson Skinner Beverly, LLP

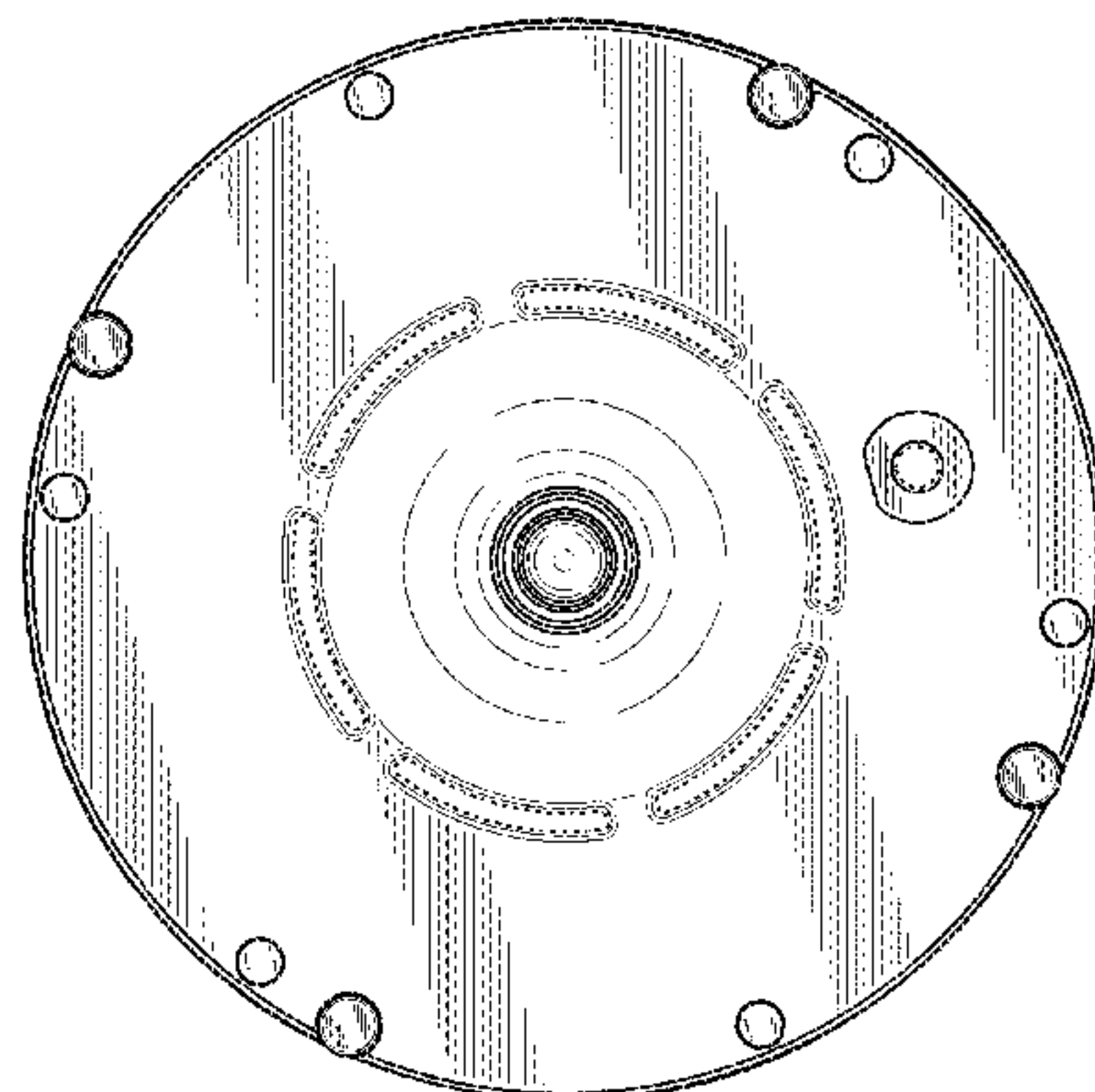
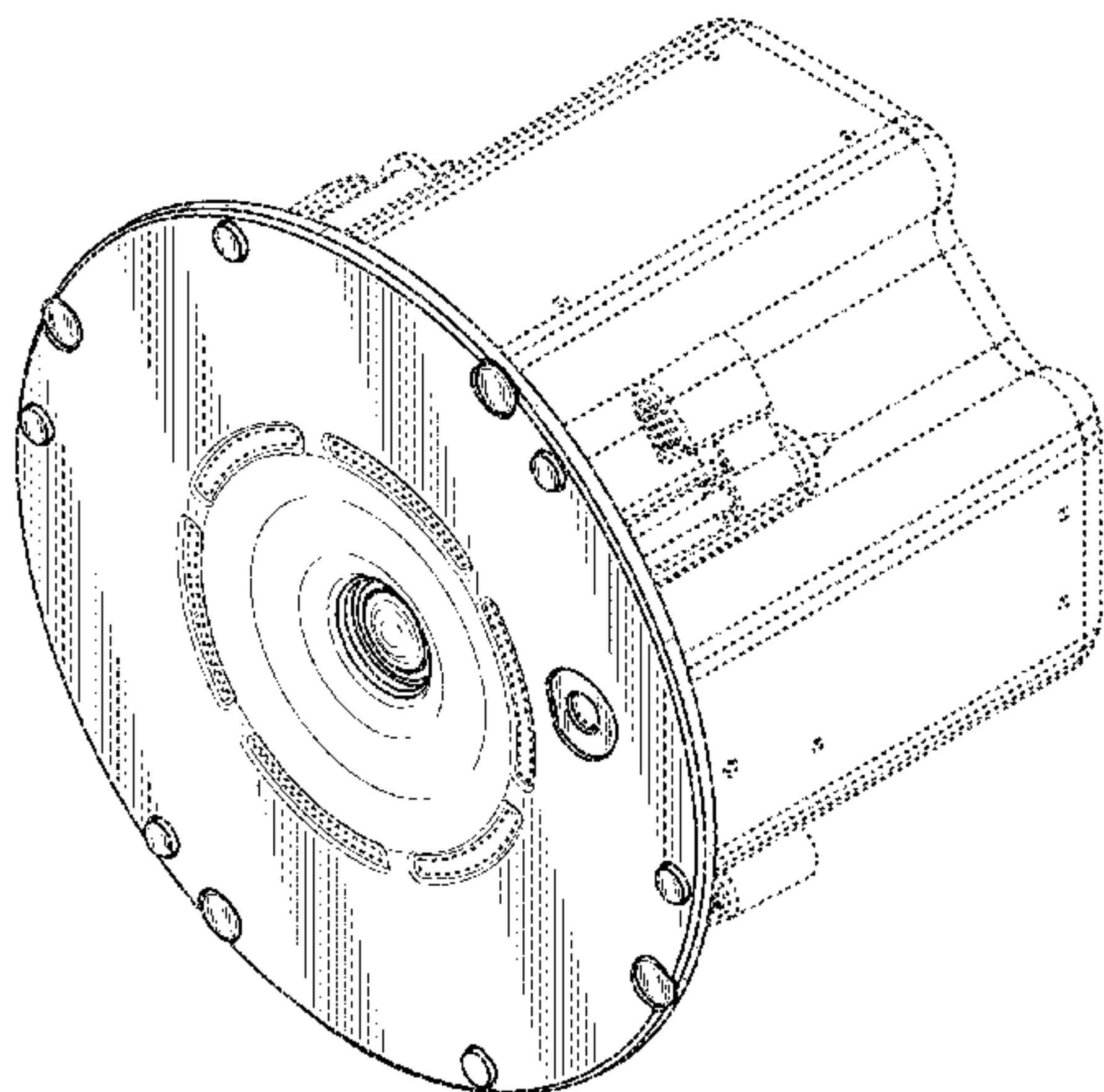
(57) **CLAIM**

The ornamental design for a loudspeaker, as shown and described.

DESCRIPTION

FIG. 1 is a top front perspective view of a loudspeaker showing our new design; FIG. 2 is a front elevational view thereof; FIG. 3 is a right side elevational view thereof; FIG. 4 is a left side elevational view thereof; FIG. 5 is a top plan view thereof; and, FIG. 6 is a bottom plan view thereof. The broken lines adjacent to the oval eyelets and the circular feature to their right, depict the boundaries of the claim and form no part of the claimed design. All other broken lines shown in the drawings depict the rear housing and other portions of the loudspeaker that form no part of the claimed design.

1 Claim, 4 Drawing Sheets



(58) **Field of Classification Search**

CPC A61F 11/06; A61F 11/08; A61F 11/12;
A61F 11/14

See application file for complete search history.

(56) **References Cited**

U.S. PATENT DOCUMENTS

D248,647 S * 7/1978 Nussdorfer D14/216
D250,586 S * 12/1978 Nussdorfer D14/216
D258,130 S * 2/1981 Doherty D14/214
D288,807 S * 3/1987 Hlavaty D14/215
D289,894 S * 5/1987 Ohtsuji D14/219
D295,741 S * 5/1988 Keitoku D14/215
D320,020 S * 9/1991 Iwano D14/216
D323,327 S * 1/1992 Davidson D14/219
D373,359 S 9/1996 Meyer et al.
6,081,602 A 6/2000 Meyer et al.
D430,141 S * 8/2000 Liu D14/215
D502,939 S * 3/2005 Dayan D14/216
D503,704 S * 4/2005 Yao D14/216
D504,416 S * 4/2005 Dayan D14/216
D505,942 S 6/2005 Meyer et al.
D523,848 S * 6/2006 Shing D14/221
D547,751 S * 7/2007 Shiono D14/216
D554,621 S * 11/2007 Yao D14/216
D556,738 S * 12/2007 Yao D14/216
D579,916 S * 11/2008 Ichikawa D14/216
D580,412 S * 11/2008 Sei D14/216
D598,897 S 8/2009 Arneson et al.

D599,325 S 9/2009 Arneson et al.
D602,910 S * 10/2009 Wang D14/216
8,428,284 B2 4/2013 Meyer et al.
D710,329 S * 8/2014 Holzer D14/216
D733,631 S * 7/2015 Dionisopoulos D12/204
D759,807 S * 6/2016 Blomberg D24/110.1
D788,670 S * 6/2017 Chung D12/209
D804,453 S * 12/2017 Katsuno D14/222
D804,562 S * 12/2017 LeBeau D16/219
2014/0305734 A1 * 10/2014 Ivey H04R 1/025
181/150
2015/0326960 A1 * 11/2015 Niedermann H04R 5/00
381/300

FOREIGN PATENT DOCUMENTS

CN 304253547 * 8/2017
JP D1237558 * 4/2005
KR 300606032.0000 * 7/2011
KR 300608148.0000 * 8/2011

OTHER PUBLICATIONS

DS18 PRO-TW120B Aluminum Super Bullet Tweeter, published May 3, 2016 [online], [retrieved Mar. 13, 2019], Available from Internet, URL: <<https://www.amazon.com/dp/B07BBQYCNV>>.*
“MM-4XP—Miniature Self-Powered Loudspeaker”; URL: <https://meyersound.com/product/mm-4xp/>; Date Retrieved: Aug. 7, 2017.

* cited by examiner

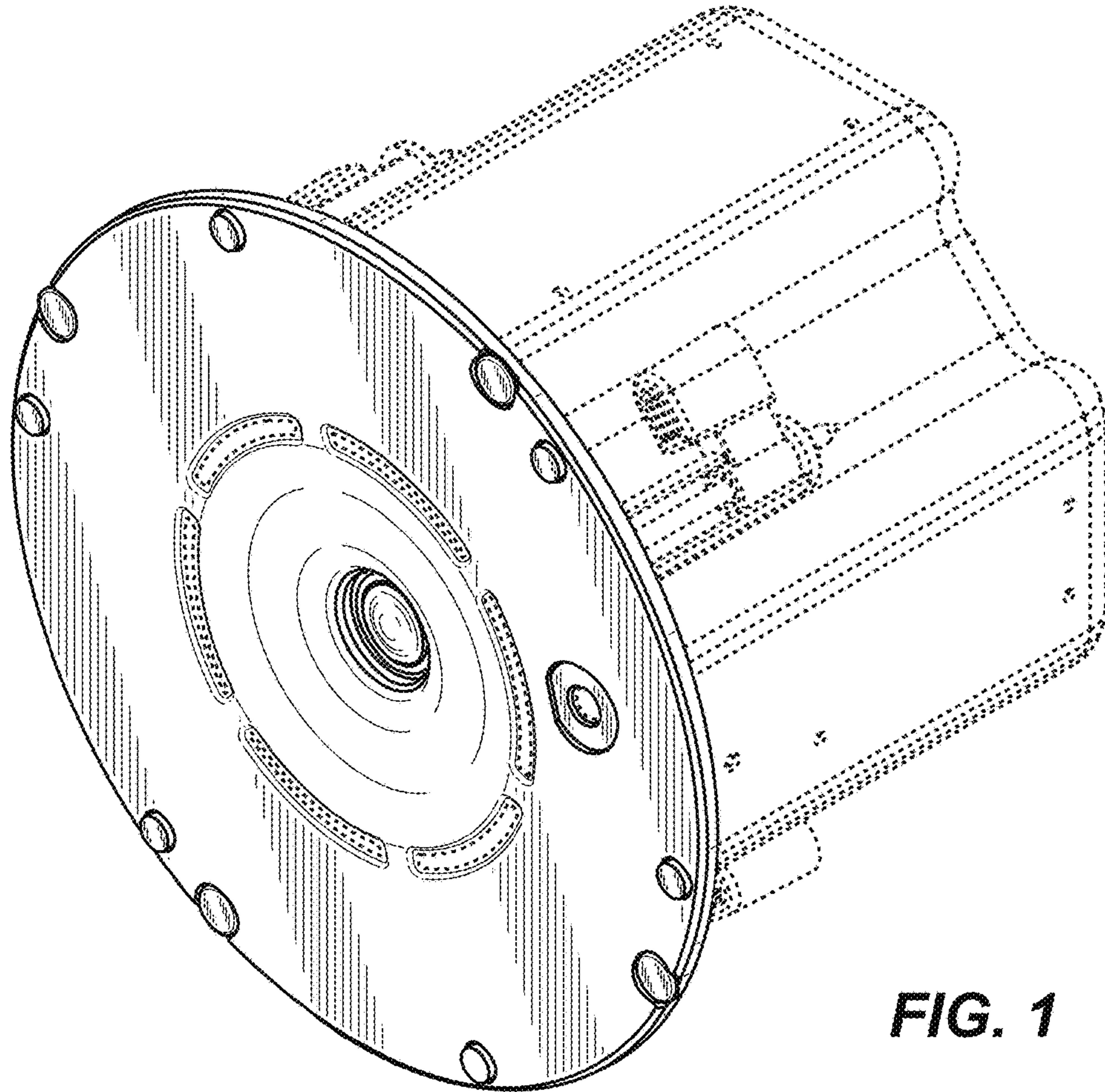


FIG. 1

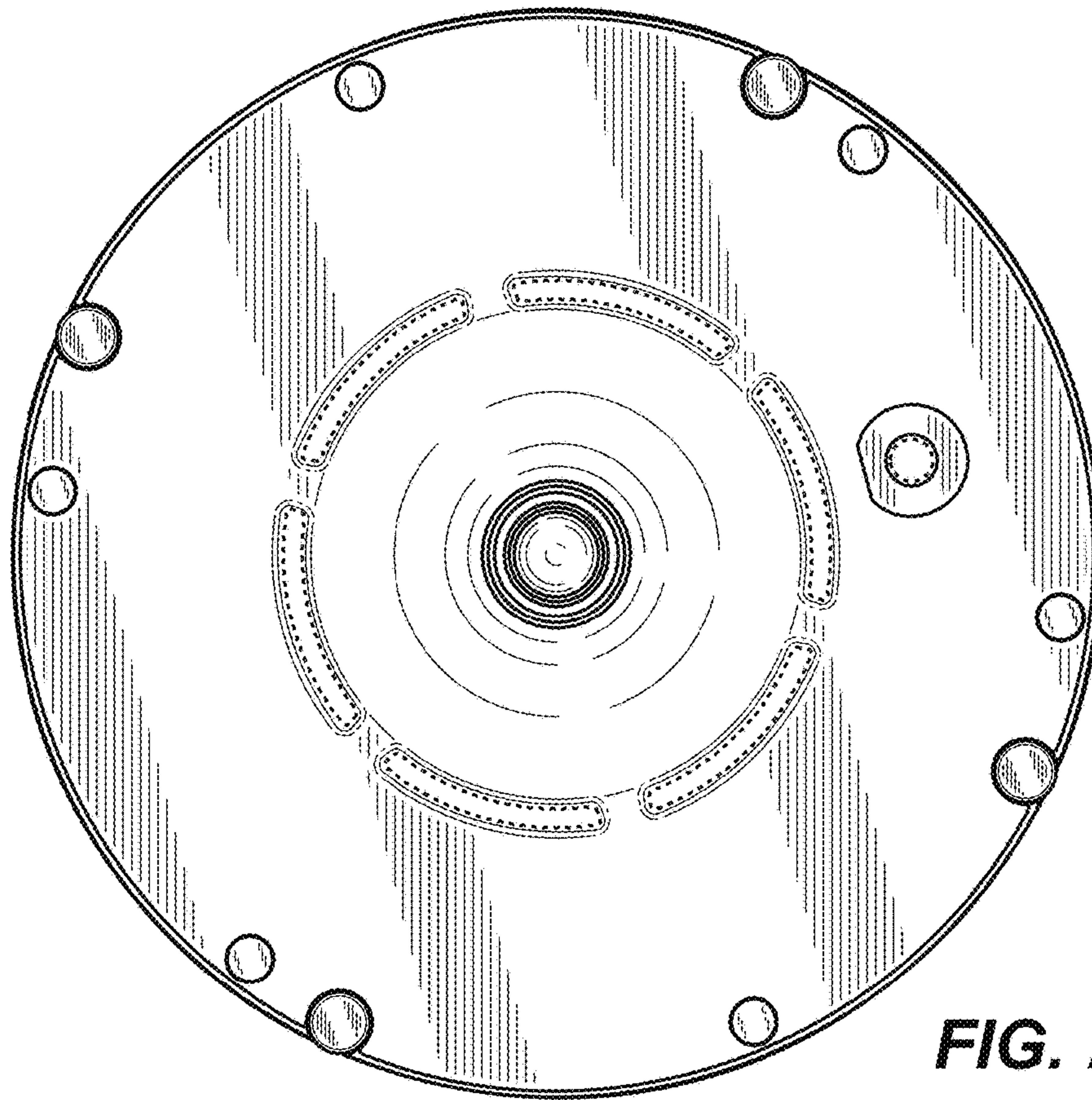


FIG. 2

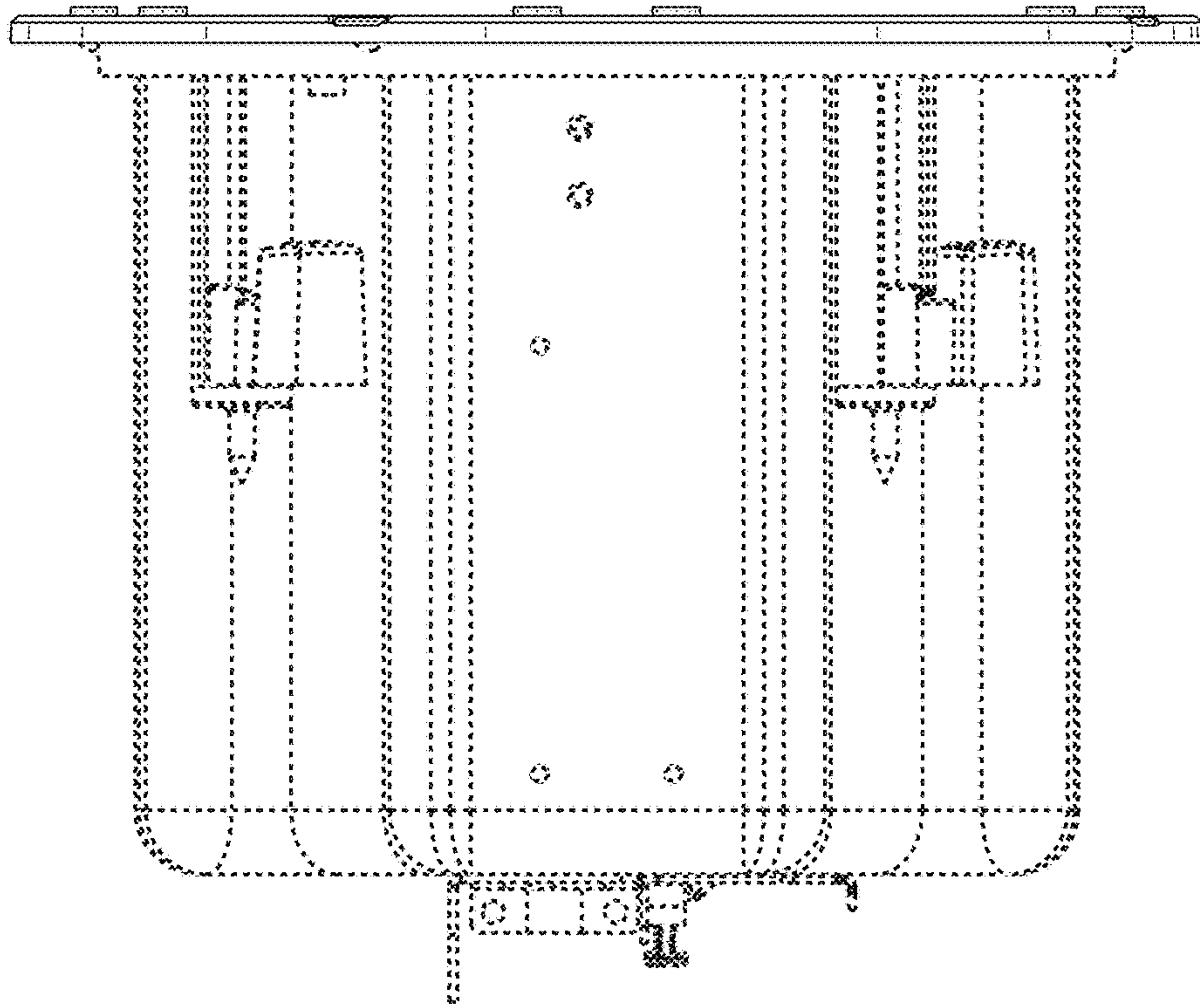


FIG. 4

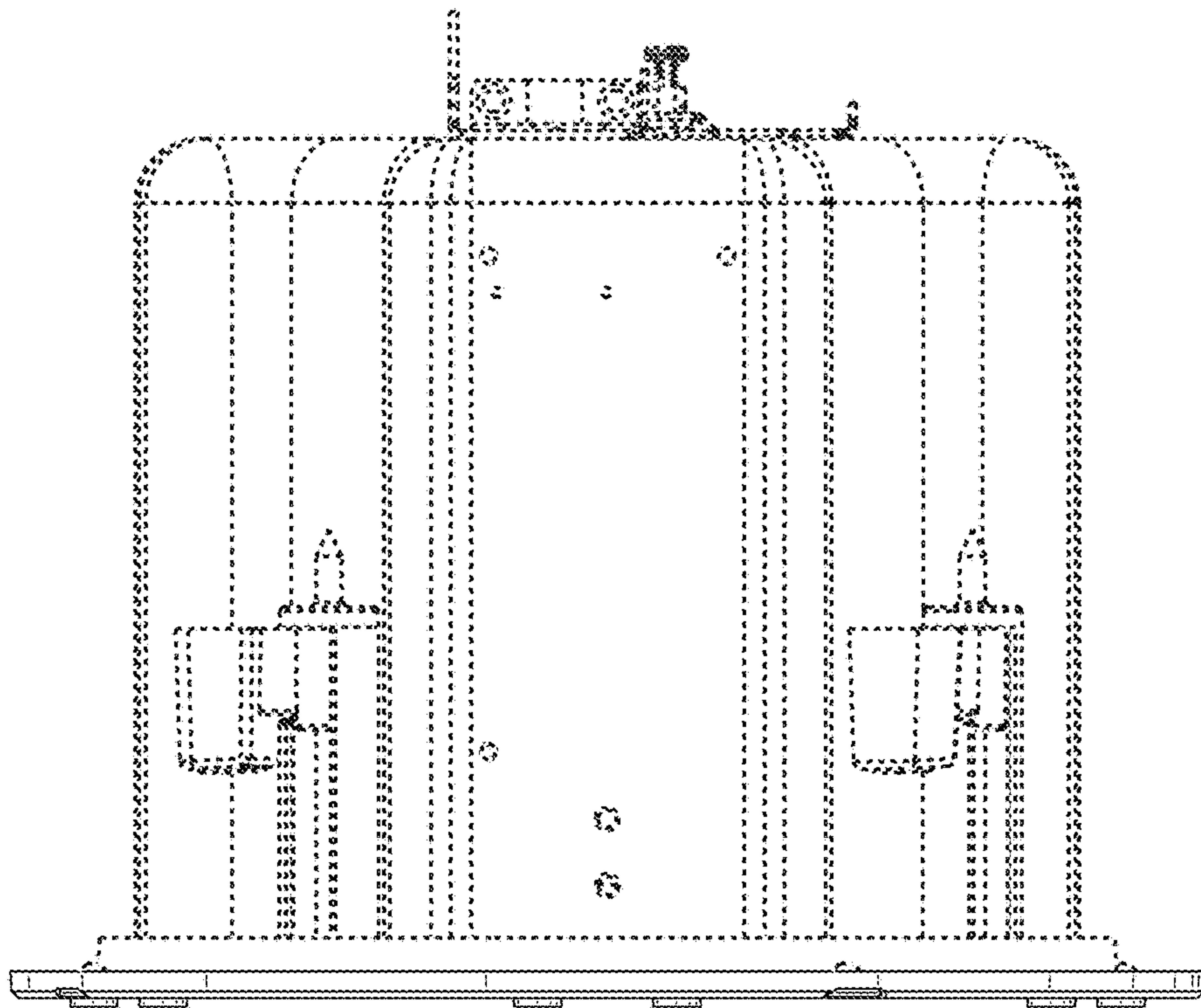


FIG. 3

FIG. 5

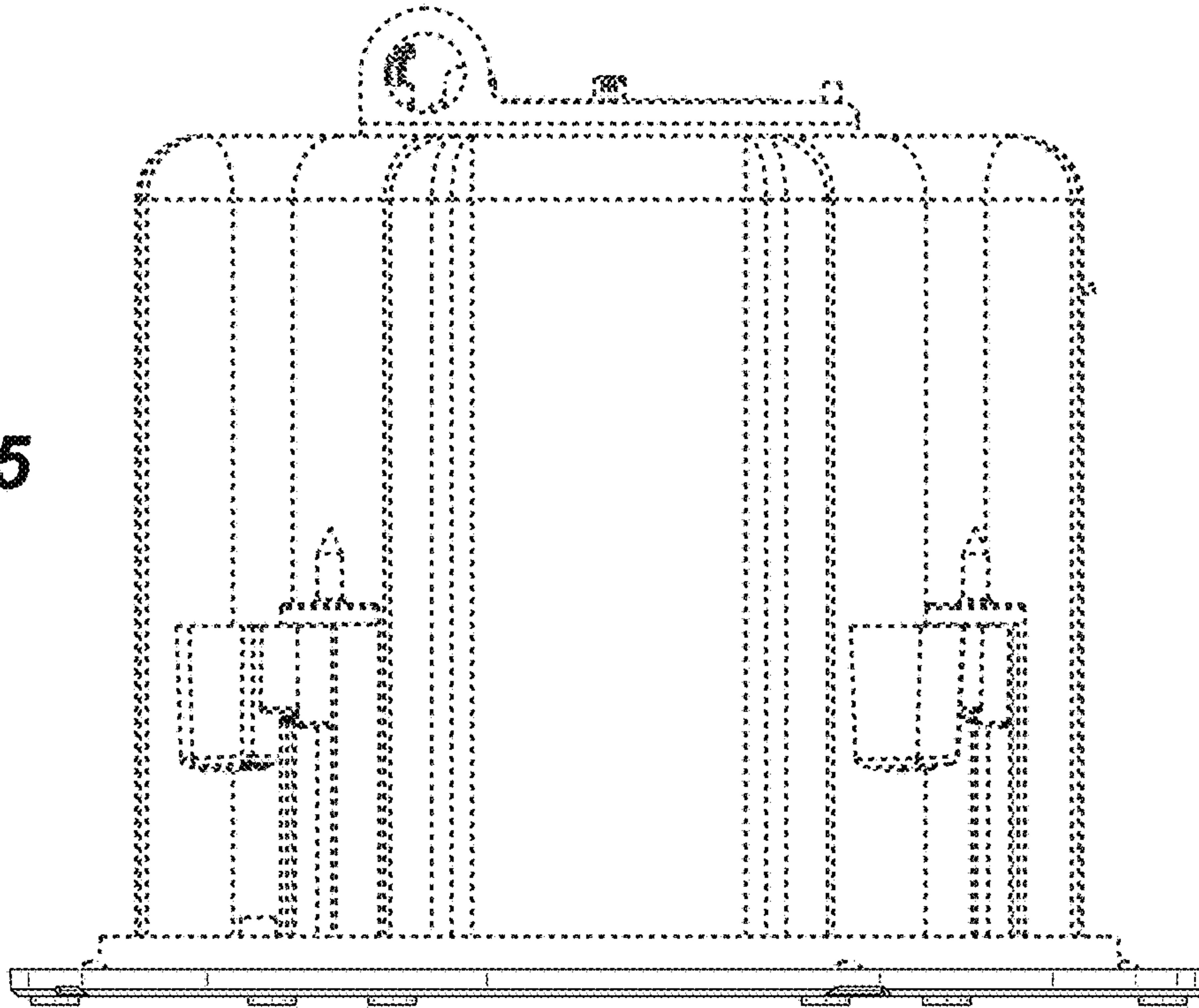


FIG. 6

