

US00D864910S

(12) **United States Design Patent** (10) **Patent No.:** **US D864,910 S**
Peace, Jr. et al. (45) **Date of Patent:** **** Oct. 29, 2019**

- (54) **LOUDSPEAKER FRONT FACE**
- (71) Applicant: **Harman International Industries, Incorporated**, Northridge, CA (US)
- (72) Inventors: **Paul Wayne Peace, Jr.**, Port Hueneme, CA (US); **Tim Nugent**, Santa Monica, CA (US); **Val Kalyuzhny**, Reseda, CA (US); **Marcos Nieto**, Northridge, CA (US)
- (73) Assignee: **Harman International Industries, Incorporated**, Northridge, CA (US)
- (**) Term: **15 Years**
- (21) Appl. No.: **29/598,401**
- (22) Filed: **Mar. 24, 2017**
- (51) **LOC (12) Cl.** **14-01**
- (52) **U.S. Cl.**
USPC **D14/215**; D14/214; D14/221
- (58) **Field of Classification Search**
USPC D14/167, 168, 170–172, 188, 194–196, D14/204, 209.1, 210–216, 219, 221, 222, D14/224, 239, 496
CPC B60R 11/0217; G06F 1/1688; G10K 9/22; G10K 11/004; H03F 1/327; H04M 1/03; H04M 1/035; H04N 5/642; H04N 21/4852; H04R 1/02; H04R 1/06; H04R 1/021; H04R 1/025; H04R 1/026; H04R 1/028; H04R 1/105; H04R 1/323; H04R 1/403; H04R 1/2803; H04R 1/2834; H04R 5/02; H04R 7/20; H04R 9/06; H04R 9/025; H04R 2201/021; H04R 2400/00; H04R 2400/07; H04R 2499/11; H04R 2499/13; H04R 2499/15; H04S 3/00; H04S 7/30

See application file for complete search history.

- (56) **References Cited**
- U.S. PATENT DOCUMENTS
- | | | | |
|----------------|---------|-----------------|------------|
| D271,967 S * | 12/1983 | Meyer | D14/214 |
| D439,238 S * | 3/2001 | Mackie | D14/214 |
| D499,081 S * | 11/2004 | Wearing | D14/168 |
| D558,750 S * | 1/2008 | Smith, Jr. | D14/257 |
| D604,265 S * | 11/2009 | Smith | D14/188 |
| D604,712 S * | 11/2009 | Smith | D14/188 |
| D613,763 S * | 4/2010 | Jones | D14/203.3 |
| D663,719 S * | 7/2012 | Warden | D14/214 |
| D693,334 S * | 11/2013 | Lum | D14/219 |
| D695,717 S * | 12/2013 | Carpenter | D14/221 |
| D726,149 S * | 4/2015 | Rodgers | D14/214 |
| D760,191 S * | 6/2016 | Nugent | D14/214 |
| 9,693,141 B2 * | 6/2017 | Sprinkle | H04R 1/345 |
| D793,992 S * | 8/2017 | Peace | D14/214 |
| D822,006 S * | 7/2018 | Moro | D14/221 |
| D836,596 S * | 12/2018 | Warden | D14/204 |

* cited by examiner

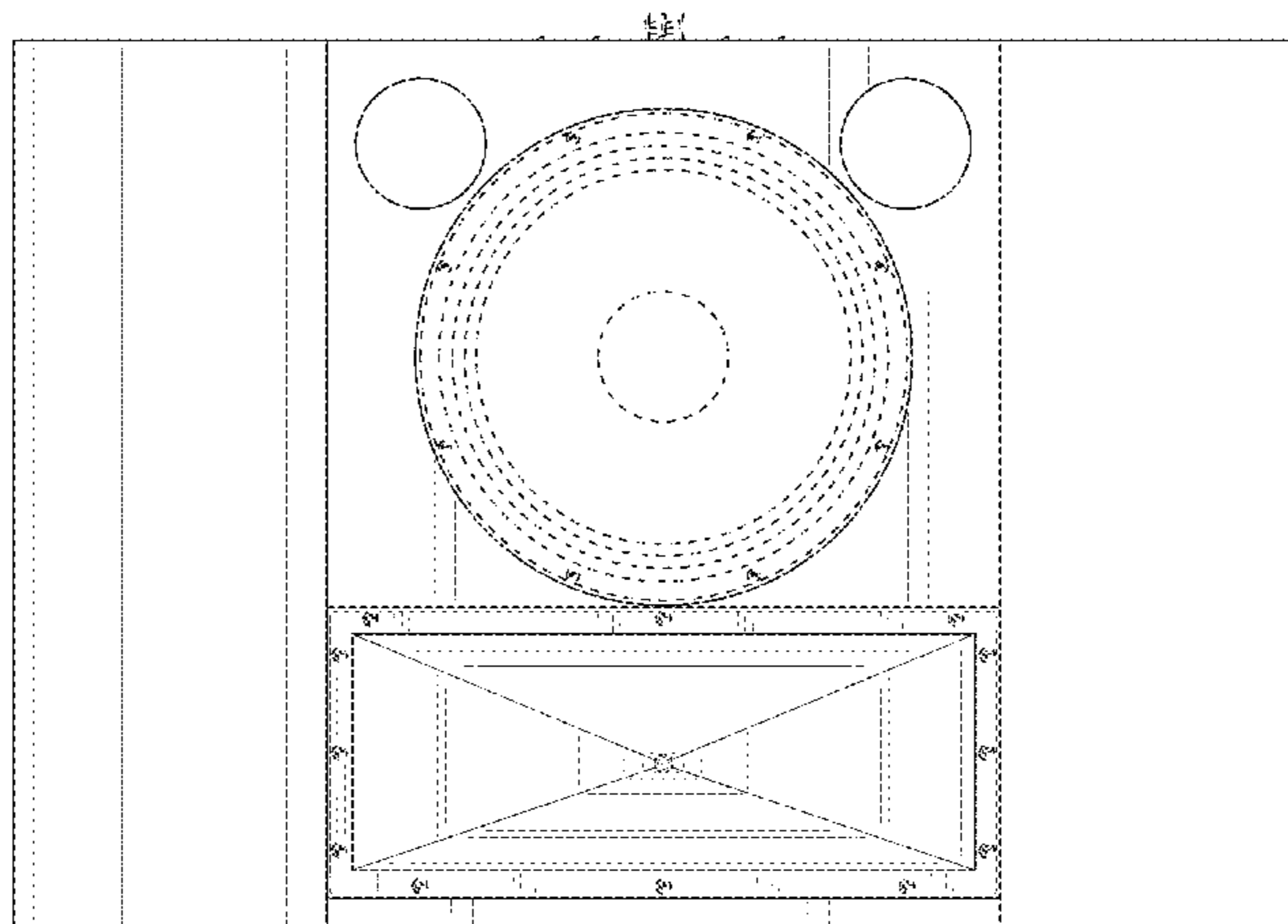
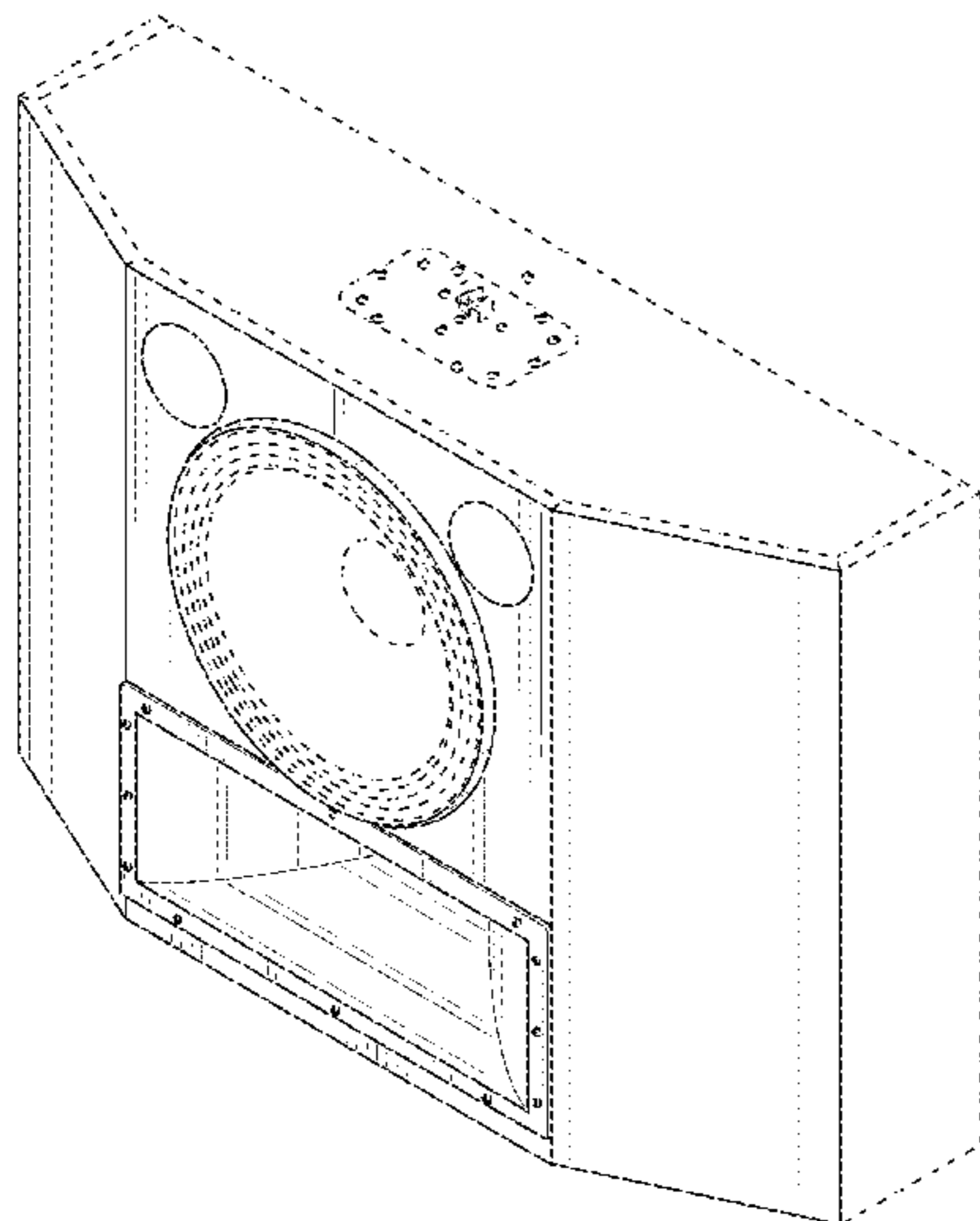
Primary Examiner — Keli L Hill
(74) *Attorney, Agent, or Firm* — Plumsea Law Group, LLC

(57) **CLAIM**
The ornamental design for a loudspeaker front face, as shown and described.

DESCRIPTION

FIG. 1 is a top isometric view of a loudspeaker front face showing the new design;
FIG. 2 is a front elevational view thereof;
FIG. 3 is a rear elevational view thereof;
FIG. 4 is a side elevational view of one side thereof;
FIG. 5 is a side elevational view of the opposite side thereof;
FIG. 6 is a top plan view thereof; and,
FIG. 7 is a bottom plan view thereof.
The broken lines and unshaded areas form no part of the claimed design.

1 Claim, 7 Drawing Sheets



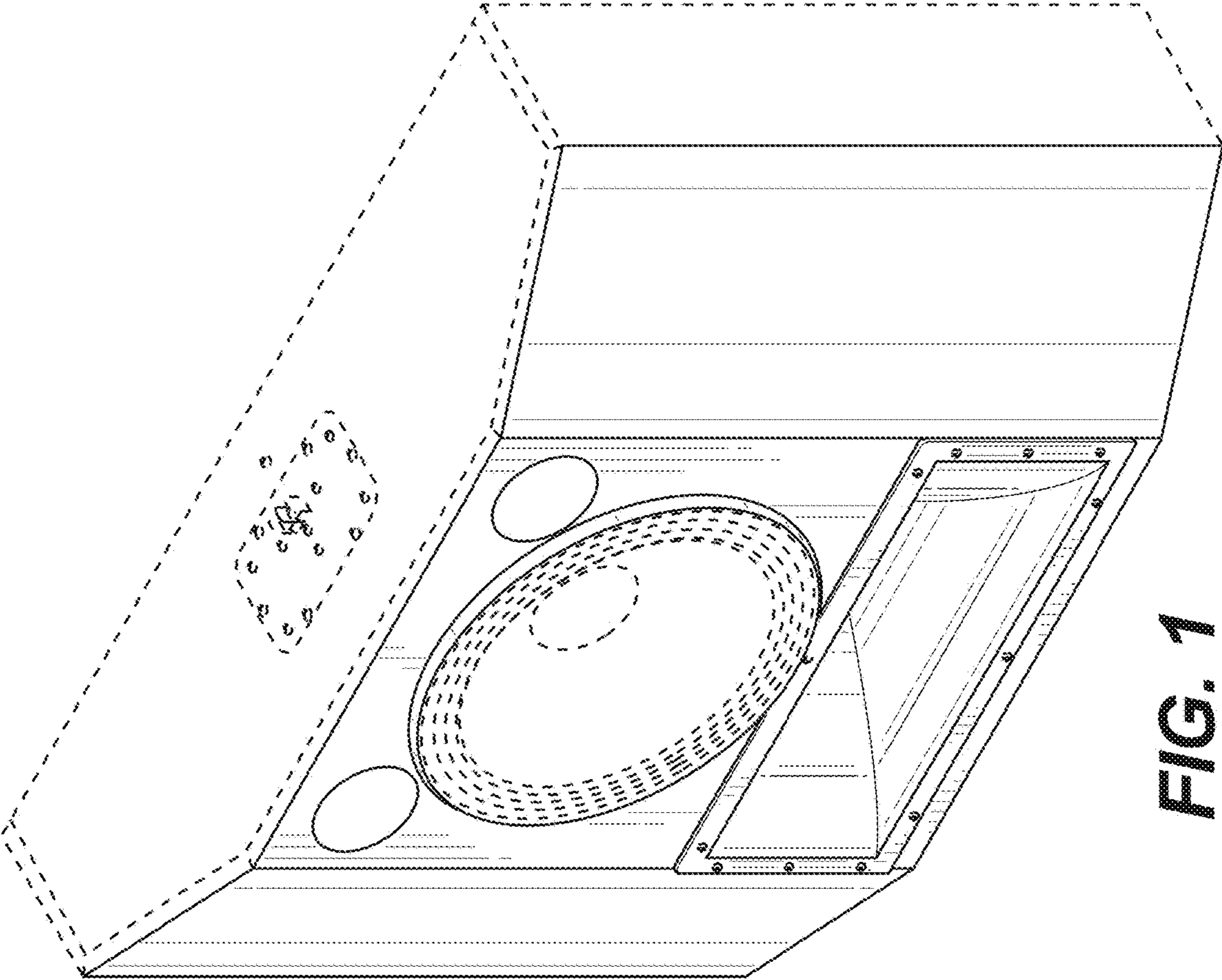


FIG. 1

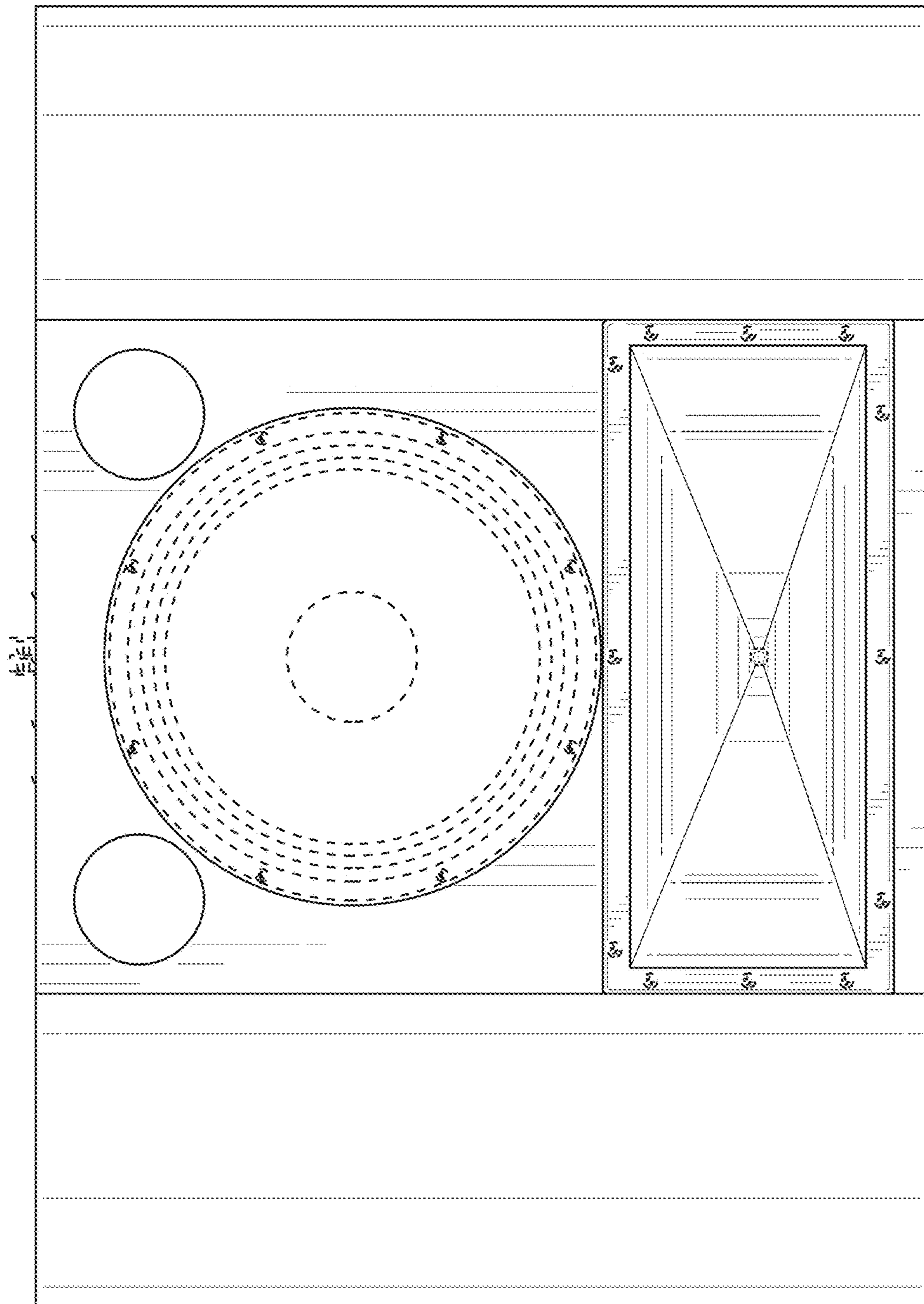


FIG. 2

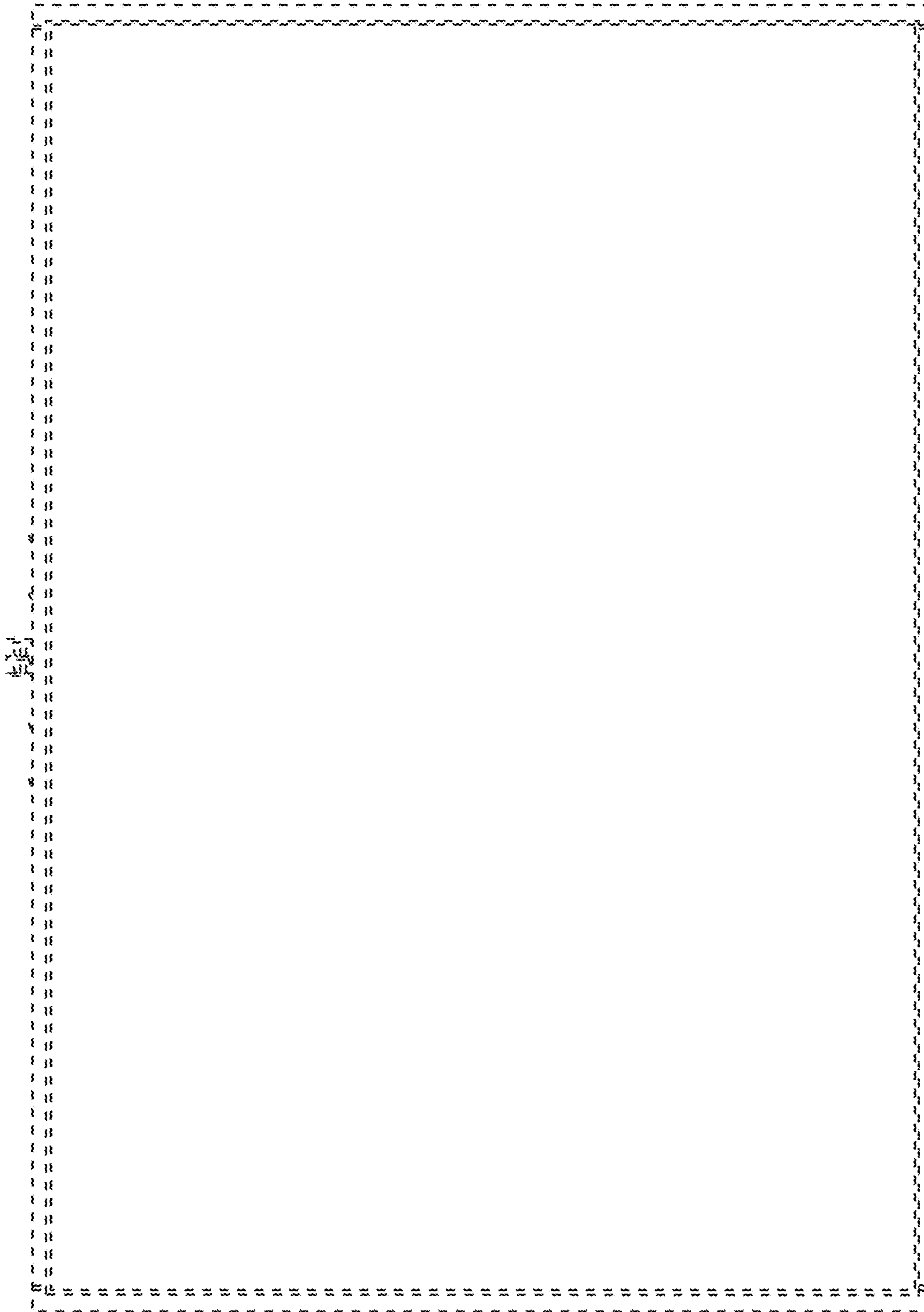


FIG. 3

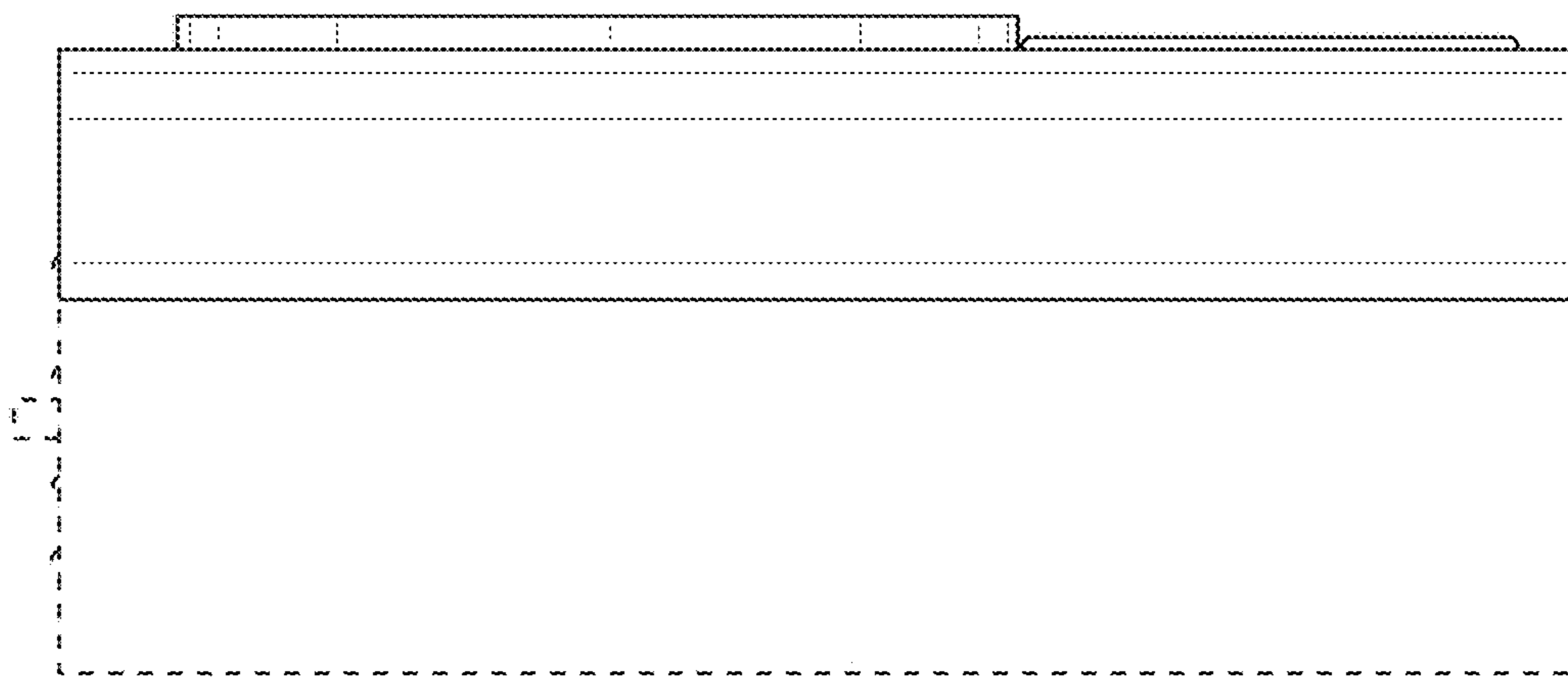


FIG. 4

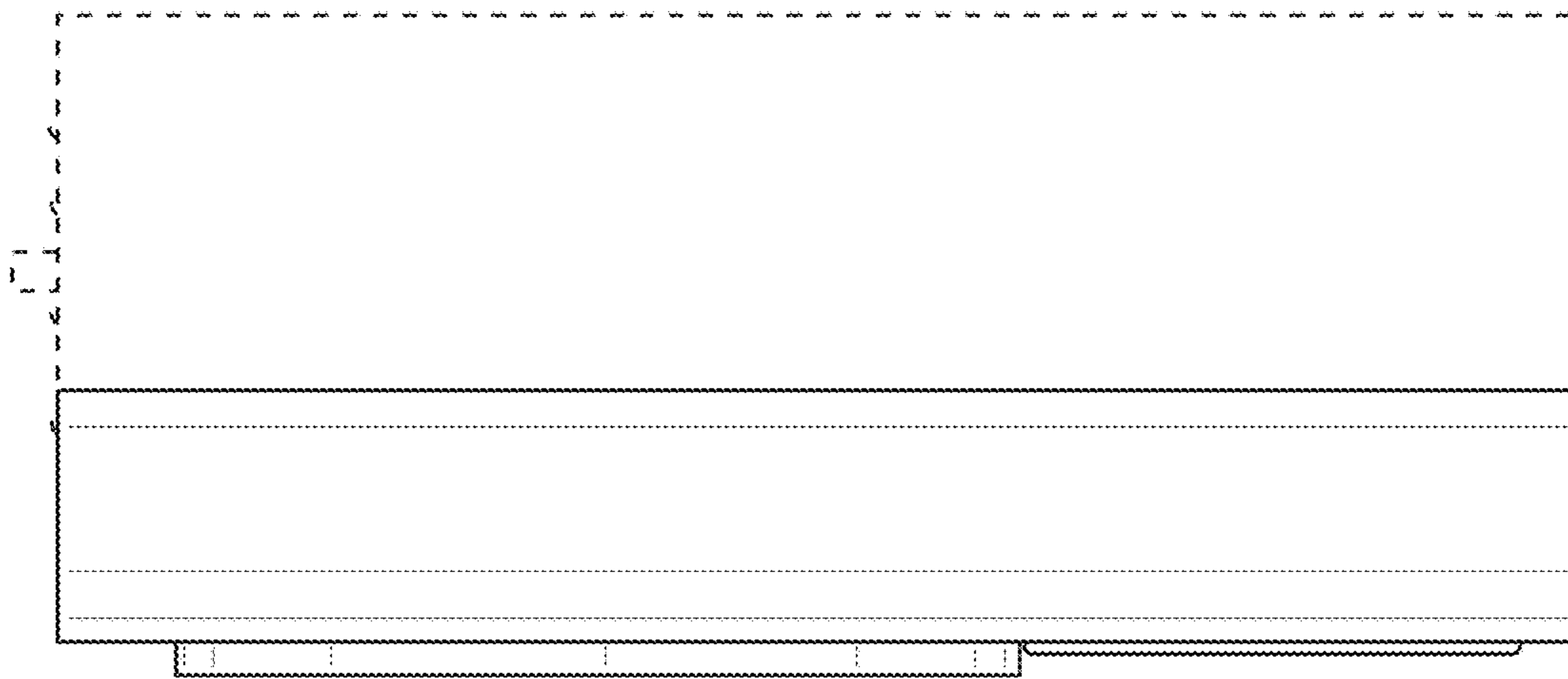


FIG. 5

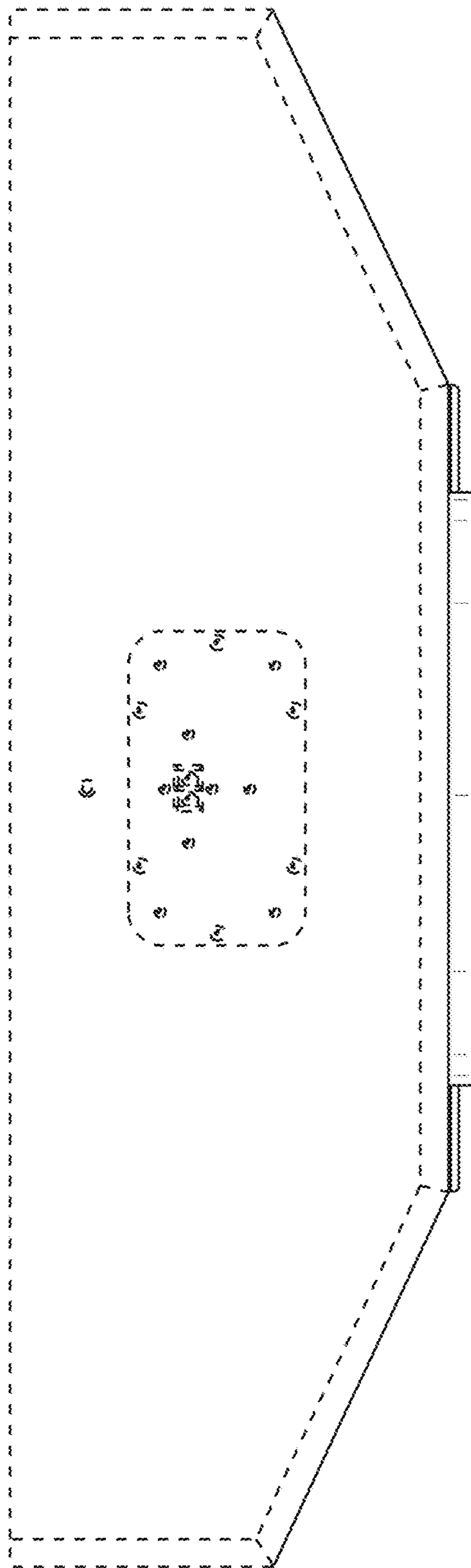


FIG. 6

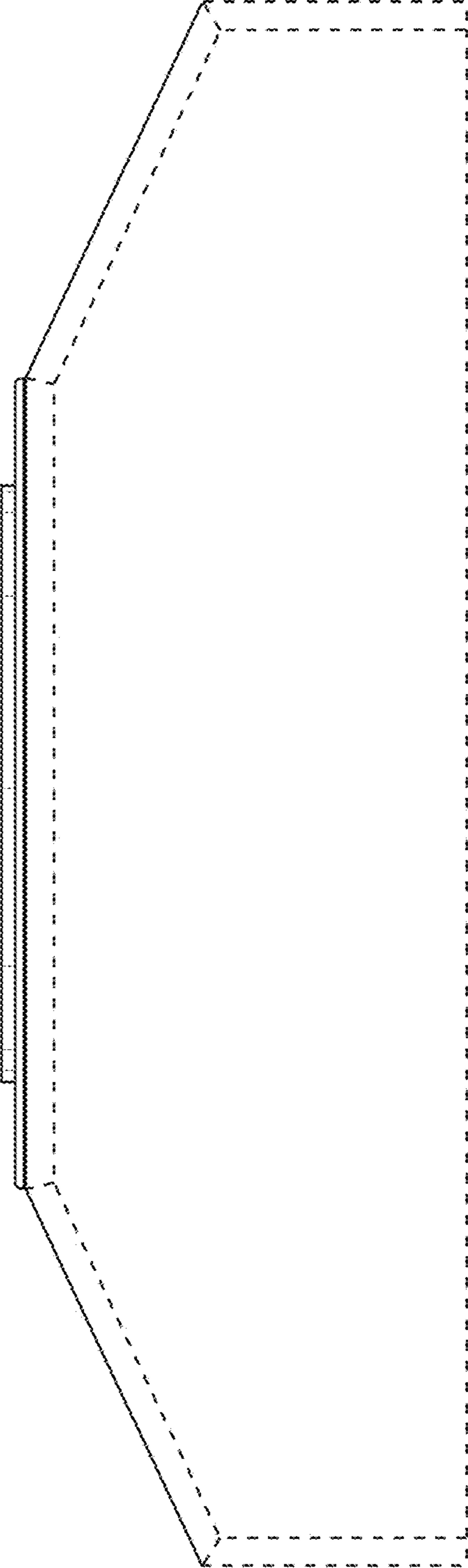


FIG. 7