

US00D864909S

(12) **United States Design Patent** (10) **Patent No.:** **US D864,909 S**  
**Lehnert** (45) **Date of Patent:** **\*\* Oct. 29, 2019**

(54) **SPEAKER PANEL FOR A PLAYBACK DEVICE**

(71) Applicant: **Sonos, Inc.**, Santa Barbara, CA (US)

(72) Inventor: **Hilmar Lehnert**, Framingham, MA (US)

(73) Assignee: **Sonos, Inc.**, Santa Barbara, CA (US)

(\*\*) Term: **15 Years**

(21) Appl. No.: **29/546,229**

(22) Filed: **Nov. 19, 2015**

**Related U.S. Application Data**

(63) Continuation of application No. 29/510,703, filed on Dec. 2, 2014, now Pat. No. Des. 746,258, which is a continuation of application No. 29/428,747, filed on Aug. 2, 2012, now Pat. No. Des. 721,059.

(51) **LOC (12) Cl.** ..... **14-01**

(52) **U.S. Cl.**  
USPC ..... **D14/215; D14/214**

(58) **Field of Classification Search**  
USPC ..... D14/167, 168, 170–172, 188, 194–196, D14/204, 207, 209.1, 210–216, 219, 221, D14/222, 224, 239, 496; 181/143, 144, 181/147, 148, 150, 153, 157, 198, 199; 381/300–303, 306, 332, 333, 336, 345, 381/361–364, 386–388; 369/6–12  
CPC ..... B60R 11/0217; G06F 1/1688; G10K 9/22; G10K 11/004; H03F 1/327; H04M 1/03; H04M 1/035; H04N 5/642; H04N 21/4852; H04R 1/02; H04R 1/06; H04R 1/021; H04R 1/025; H04R 1/026; H04R 1/028; H04R 1/105; H04R 1/323; H04R 1/403; H04R 1/2803; H04R 1/2834; H04R 5/02; H04R 7/20; H04R 9/06; H04R 9/025; H04R 2201/021; H04R 2400/00; H04R 2400/07; H04R 2499/11; H04R 2499/13; H04R 2499/15; H04S 3/00; H04S 7/30

See application file for complete search history.

(56) **References Cited**

U.S. PATENT DOCUMENTS

4,940,108 A 7/1990 Selby et al.  
D470,126 S 2/2003 Ljungberg et al.  
D496,923 S 10/2004 Allen  
D503,933 S 4/2005 Lum  
D593,541 S 6/2009 Muraoka et al.  
D606,977 S 12/2009 Privett et al.  
D629,388 S 12/2010 Son et al.  
D647,506 S 10/2011 Chen  
D664,120 S 7/2012 Larson

(Continued)

OTHER PUBLICATIONS

United States Patent and Trademark Office “Notice of Allowance”, Issued in connection with U.S. Appl. No. 29/428,747, dated Sep. 5, 2014, 44 pages.

*Primary Examiner* — Keli L Hill

(74) *Attorney, Agent, or Firm* — KPPB LLP

(57) **CLAIM**

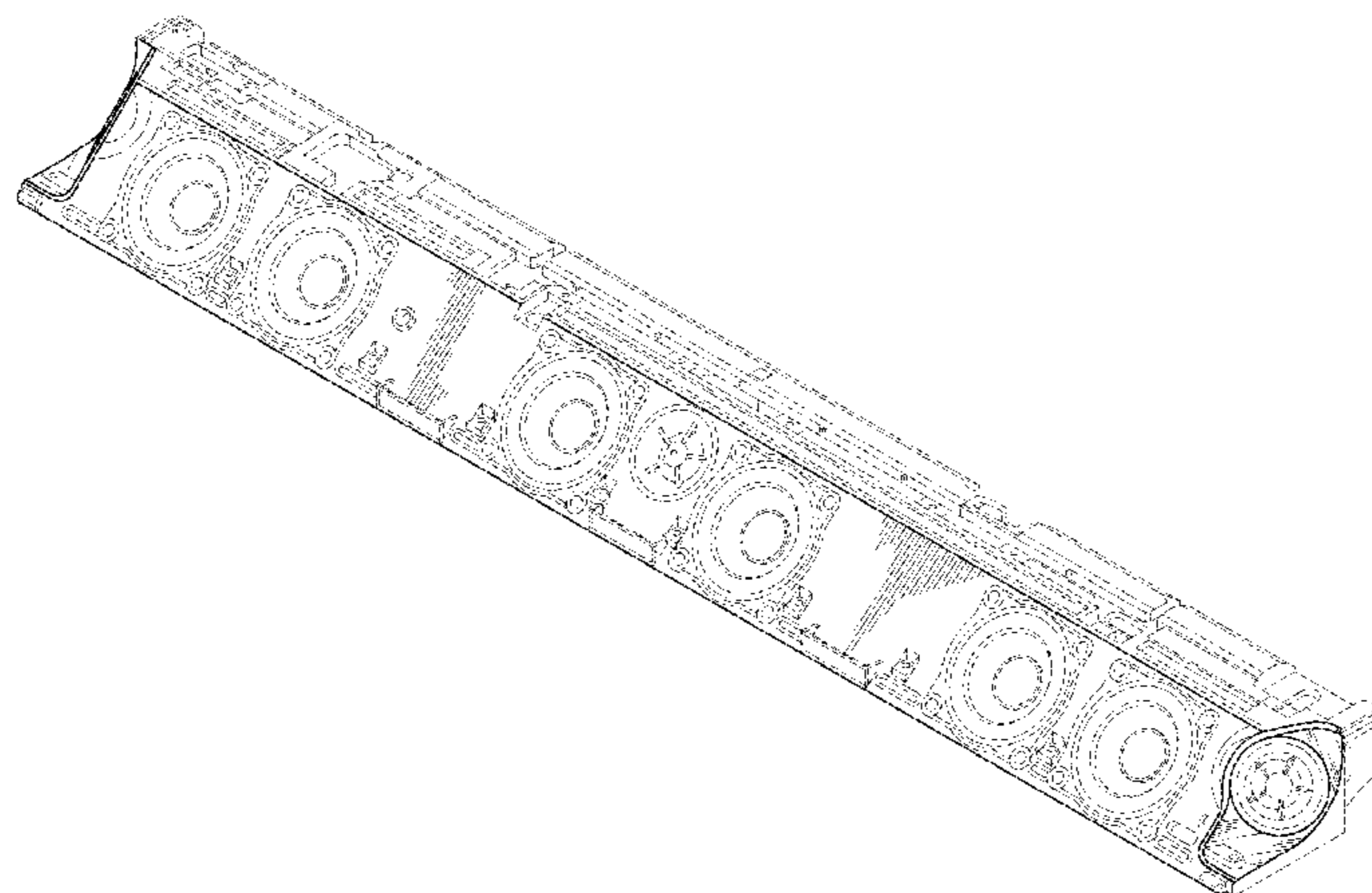
The ornamental design for a speaker panel for a playback device, as shown and described.

**DESCRIPTION**

FIG. 1 is an isometric view of a speaker panel for a playback device, embodying my new design;  
FIG. 2 is a front elevation view thereof;  
FIG. 3 is a rear elevation view thereof;  
FIG. 4 is an end elevation view thereof;  
FIG. 5 is an opposite end elevation view thereof;  
FIG. 6 is a top plan view thereof; and,  
FIG. 7 is a bottom plan view thereof.

The broken lines shown are included for the purpose of illustrating portions of the speaker panel for a playback device that form no part of the claim.

**1 Claim, 3 Drawing Sheets**



(56)

**References Cited**

U.S. PATENT DOCUMENTS

D694,242 S	11/2013	Cho	
D710,823 S	8/2014	Woo et al.	
D721,059 S	1/2015	Lehnert	
D746,258 S	12/2015	Lehnert	
D756,328 S *	5/2016	Warden .....	D14/204
D771,586 S *	11/2016	Kim .....	D14/204
D787,471 S *	5/2017	Nesbit .....	D14/206
D817,929 S *	5/2018	Fuller .....	D14/217
D819,598 S *	6/2018	Won .....	D14/215
D821,358 S *	6/2018	Garfio .....	D14/214
D822,006 S *	7/2018	Moro .....	D14/221
D823,281 S *	7/2018	Garrett .....	D14/208

\* cited by examiner

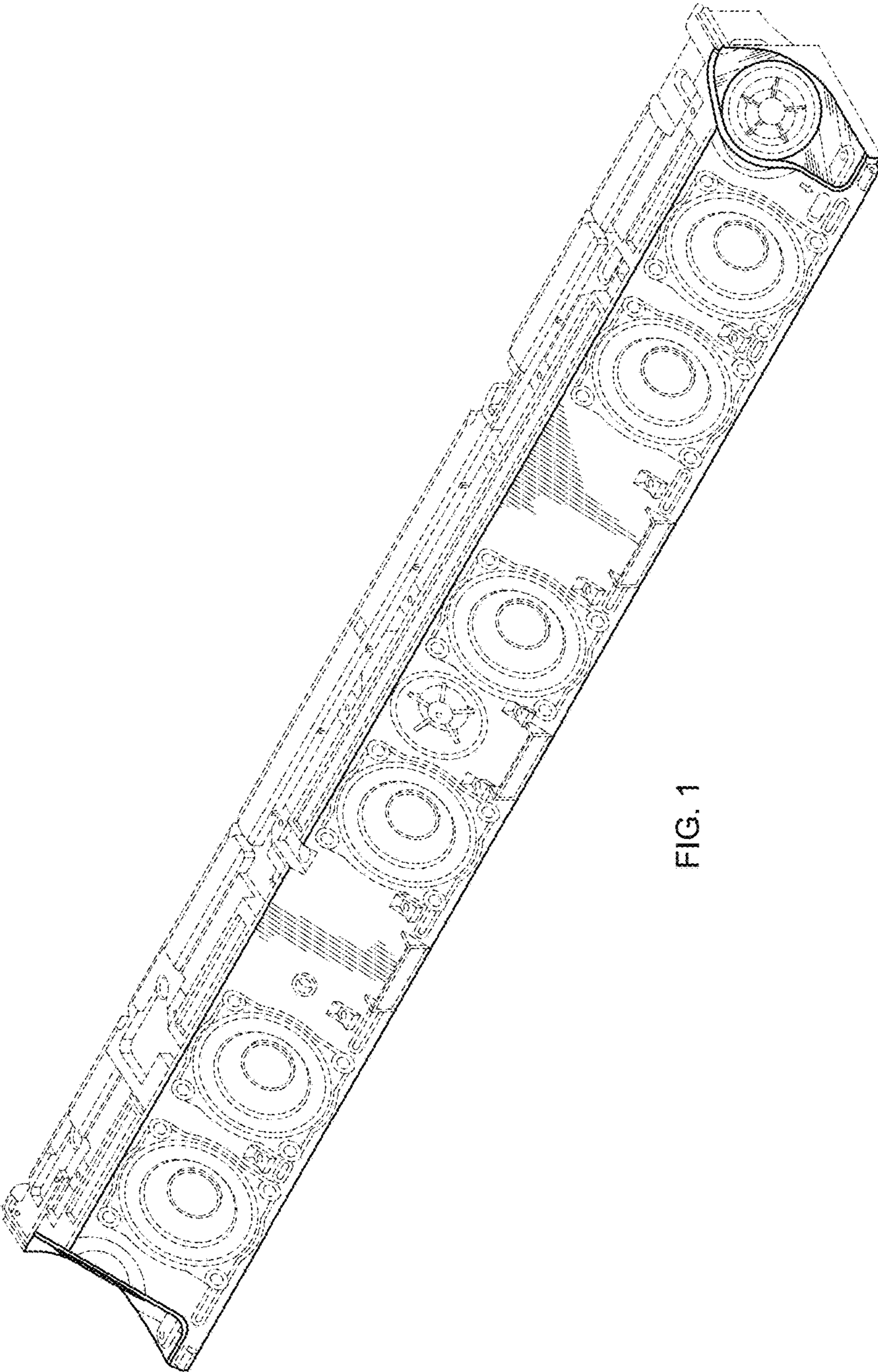


FIG. 1



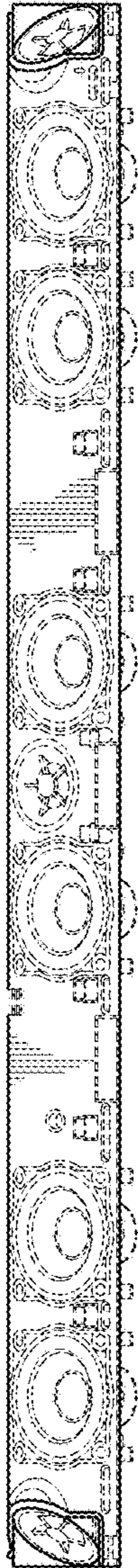


FIG. 2

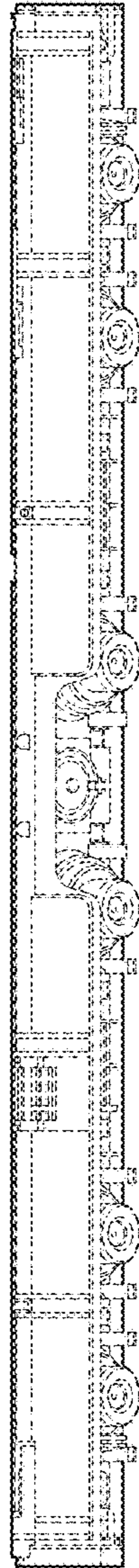


FIG. 3

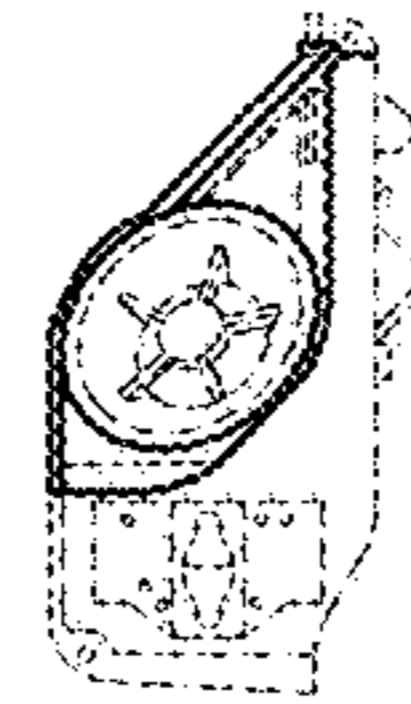


FIG. 4

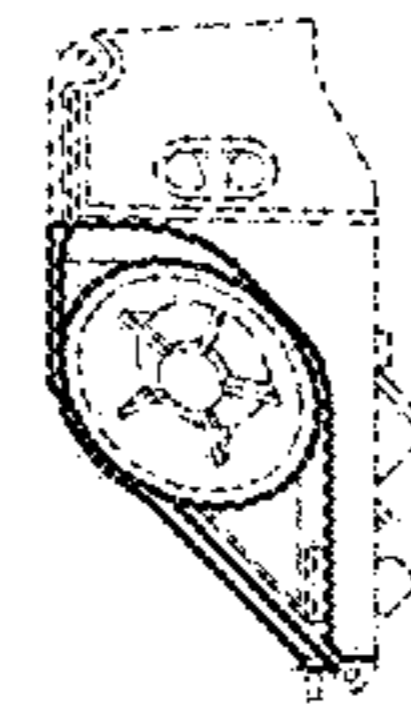


FIG. 5

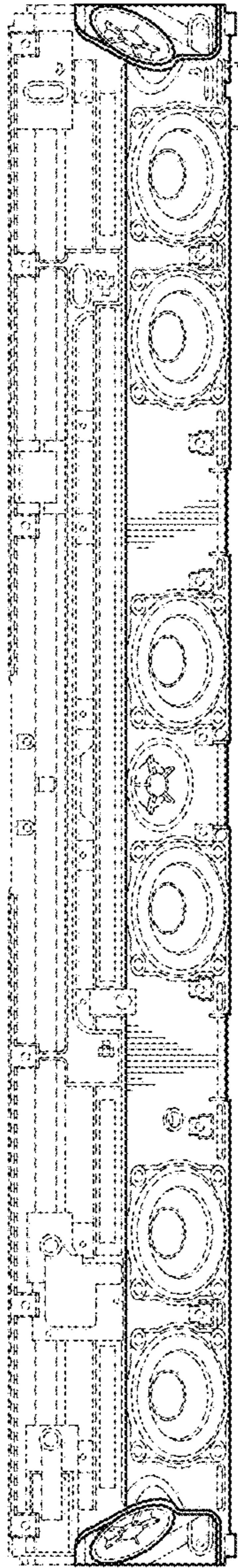


FIG. 6

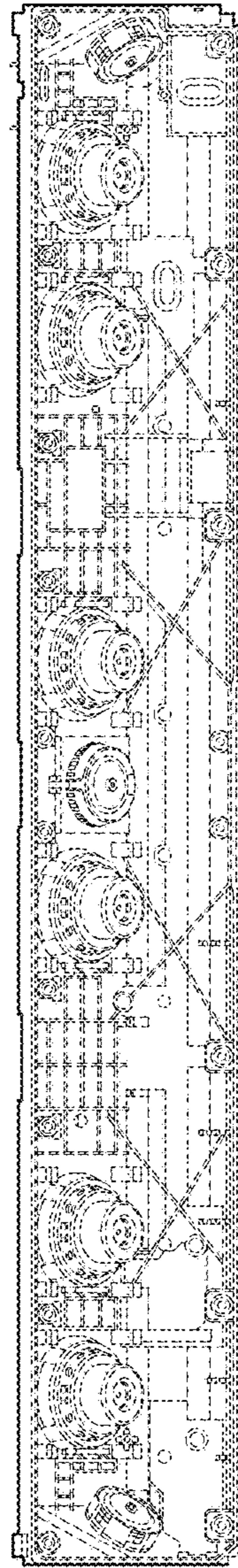


FIG. 7