



US00D864908S

(12) **United States Design Patent**
Ferrell, Jr.

(10) **Patent No.:** **US D864,908 S**

(45) **Date of Patent:** **** Oct. 29, 2019**

(54) **PORTABLE SPEAKER SYSTEM**

(71) Applicant: **Roy L. Ferrell, Jr.**, Riverview, FL (US)

(72) Inventor: **Roy L. Ferrell, Jr.**, Riverview, FL (US)

(**) Term: **15 Years**

(21) Appl. No.: **29/586,718**

(22) Filed: **Dec. 6, 2016**

(51) **LOC (12) Cl.** **14-01**

(52) **U.S. Cl.**

USPC **D14/214**; D14/215

(58) **Field of Classification Search**

USPC D14/167, 168, 170–172, 188, 204, 209.1,
D14/210–216, 219, 221, 222, 224;
181/144, 148, 153, 157, 198; 369/6–12;
381/301–303, 306, 332, 334, 336, 345,
381/361–363, 386–388

CPC G06F 1/1688; H04R 1/02; H04R 1/025;
H04R 1/026; H04R 1/323; H04R 1/403;
H04R 1/2803; H04R 1/2834; H04R 5/02;
H04R 9/06; H04R 2201/021; H04R
2400/00; H04R 2400/07; H04R 2499/11

See application file for complete search history.

(56) **References Cited**

U.S. PATENT DOCUMENTS

D304,586 S	*	11/1989	Freadman	D14/213
D360,417 S	*	7/1995	Mark	D14/215
D462,338 S	*	9/2002	Wong	D14/215
D485,256 S	*	1/2004	Allen	D14/214

D563,390 S	*	3/2008	Vafiadis	D14/188
D569,852 S	*	5/2008	Yonehara	D14/225
D582,416 S	*	12/2008	Duarte	D14/434
D590,812 S	*	4/2009	Muraoka	D14/215
D596,196 S	*	7/2009	Laituri	D14/168
D678,246 S	*	3/2013	Davies	D14/204
D678,863 S	*	3/2013	Inada	D14/204
D703,185 S	*	4/2014	Kim	D14/209.1
D733,682 S	*	7/2015	Kelly	D14/215

* cited by examiner

Primary Examiner — Keli L Hill

(74) *Attorney, Agent, or Firm* — John Rizvi; The Patent Professor ®

(57) **CLAIM**

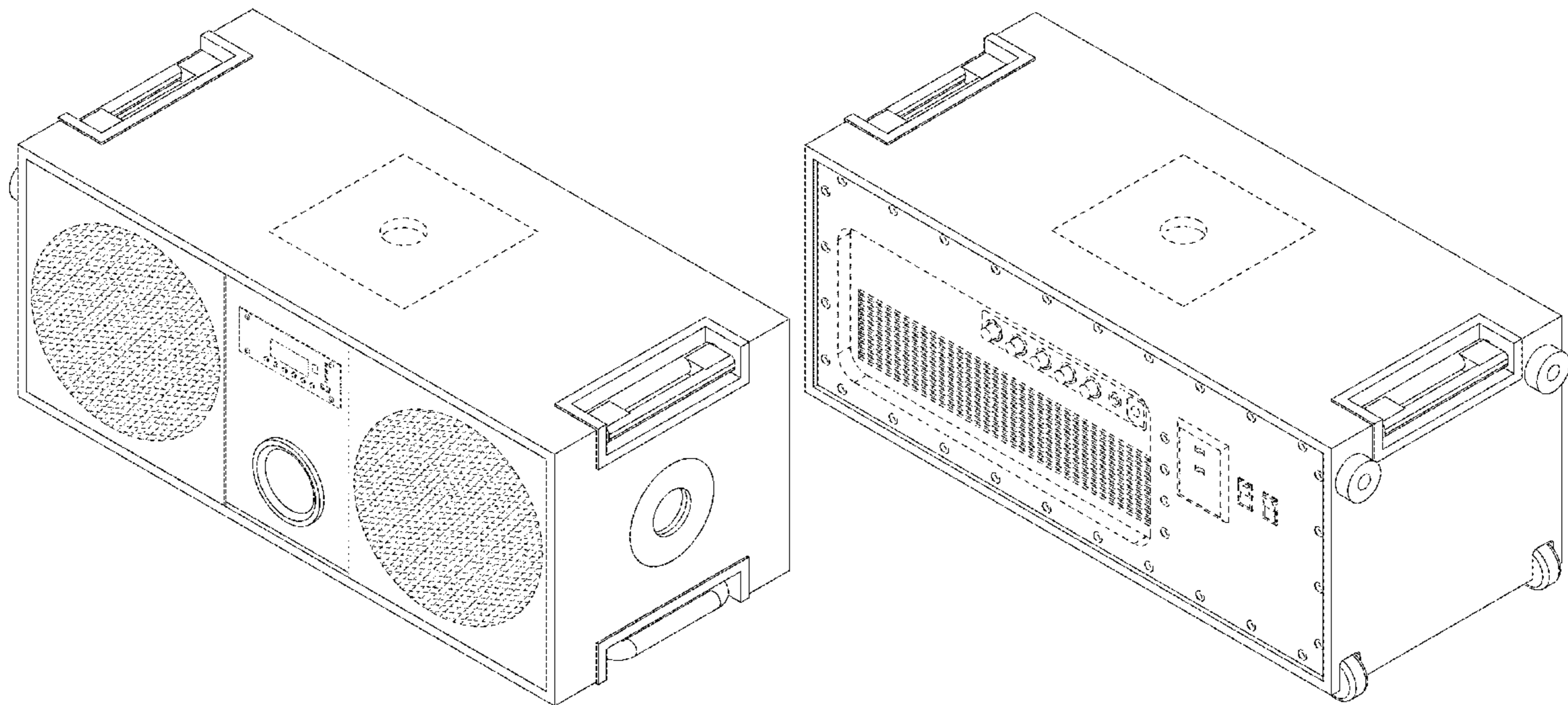
I claim the ornamental design for a portable speaker system, as shown and described.

DESCRIPTION

FIG. 1 is a top, front isometric view of a portable speaker system, showing my new design;
FIG. 2 is a top, rear isometric view thereof;
FIG. 3 is a front elevation view thereof;
FIG. 4 is a rear elevation view thereof;
FIG. 5 is a right side elevation view thereof;
FIG. 6 is a left side elevation view thereof;
FIG. 7 is a top plan view thereof; and,
FIG. 8 is a bottom plan view thereof.

All of the broken lines shown, including the two front circular speaker grills seen in FIGS. 1 and 3, are included for the purpose of illustrating portions of the portable speaker system that form no part of the claimed design.

1 Claim, 7 Drawing Sheets



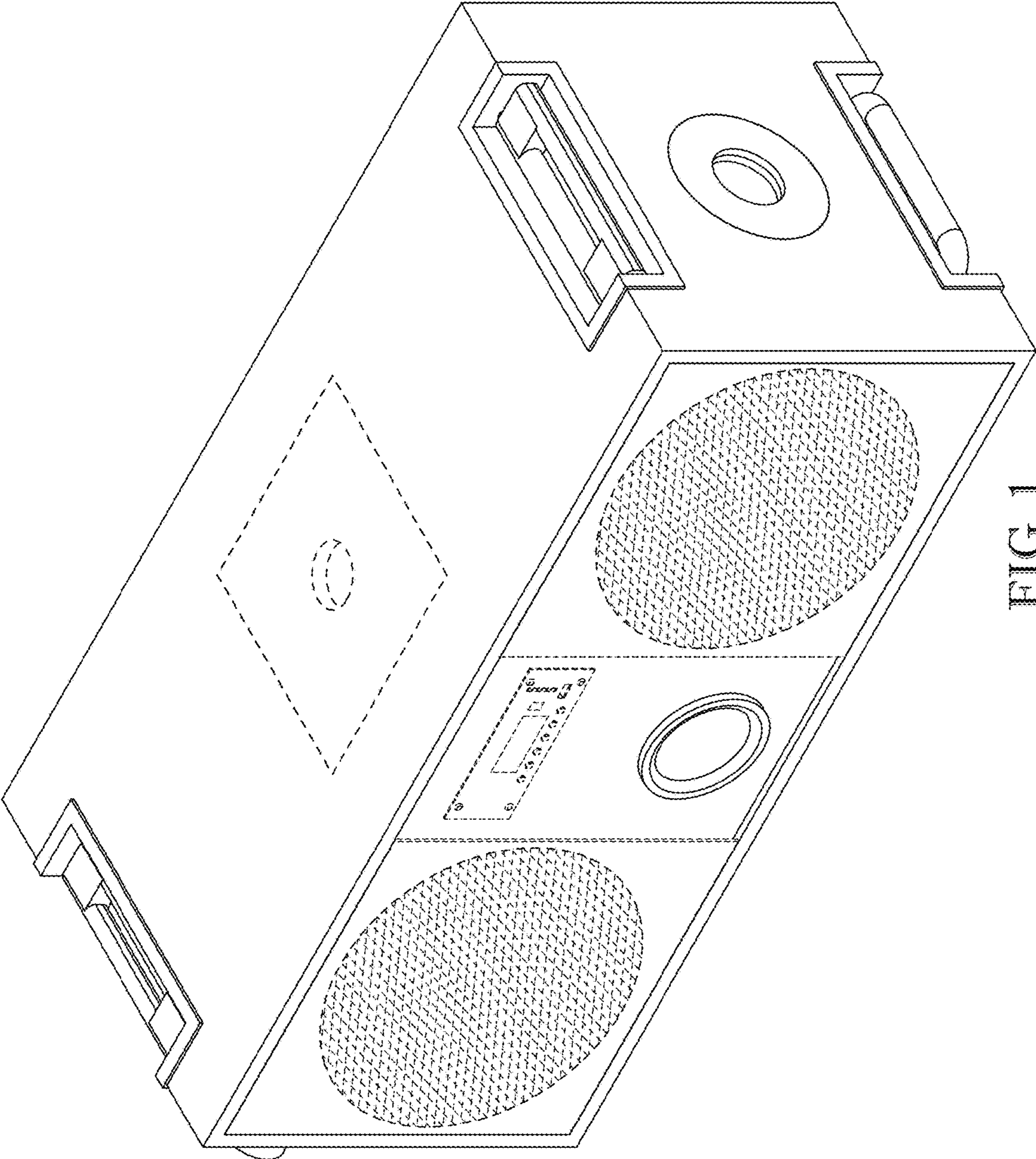


FIG. 1

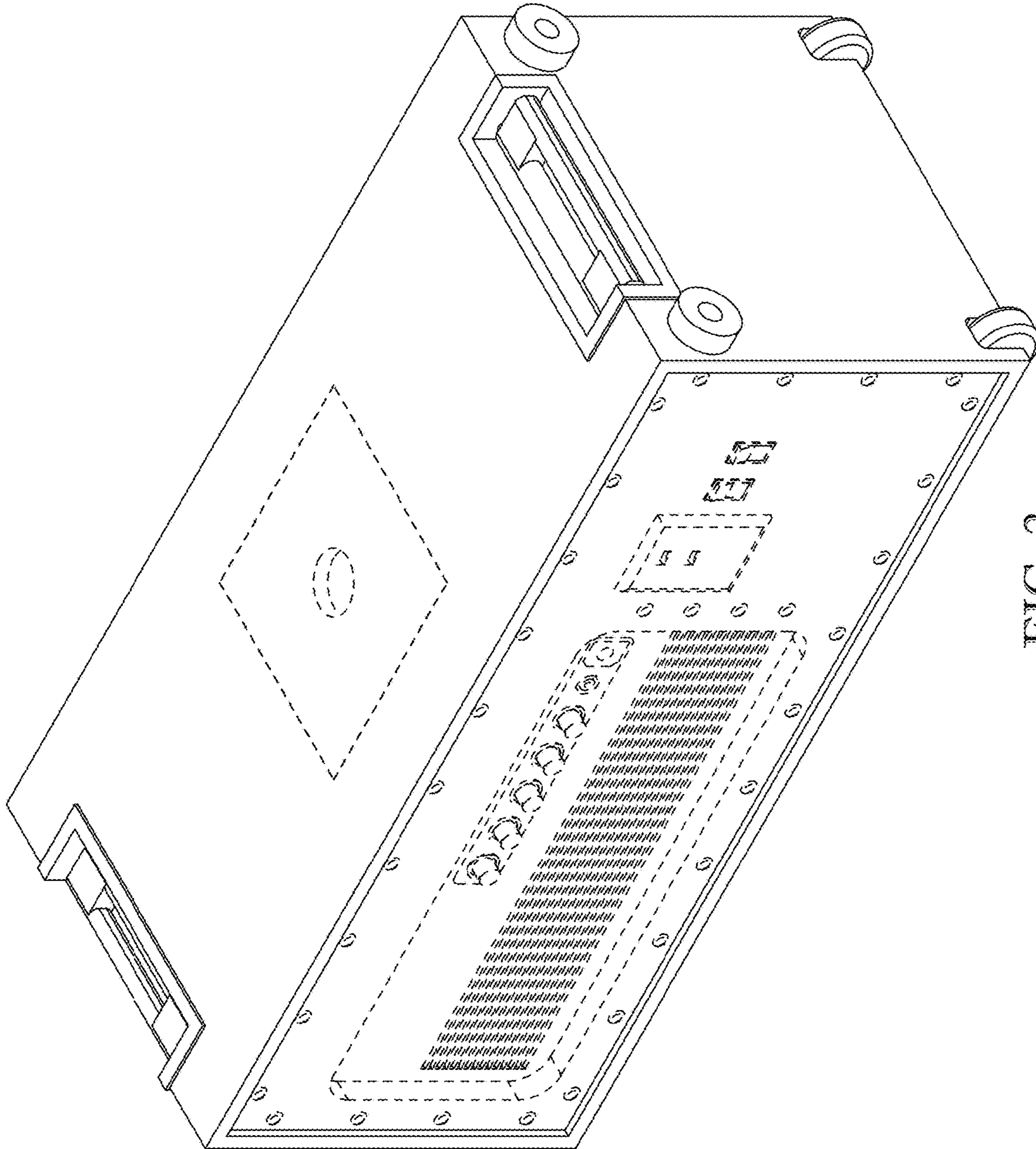


FIG. 2

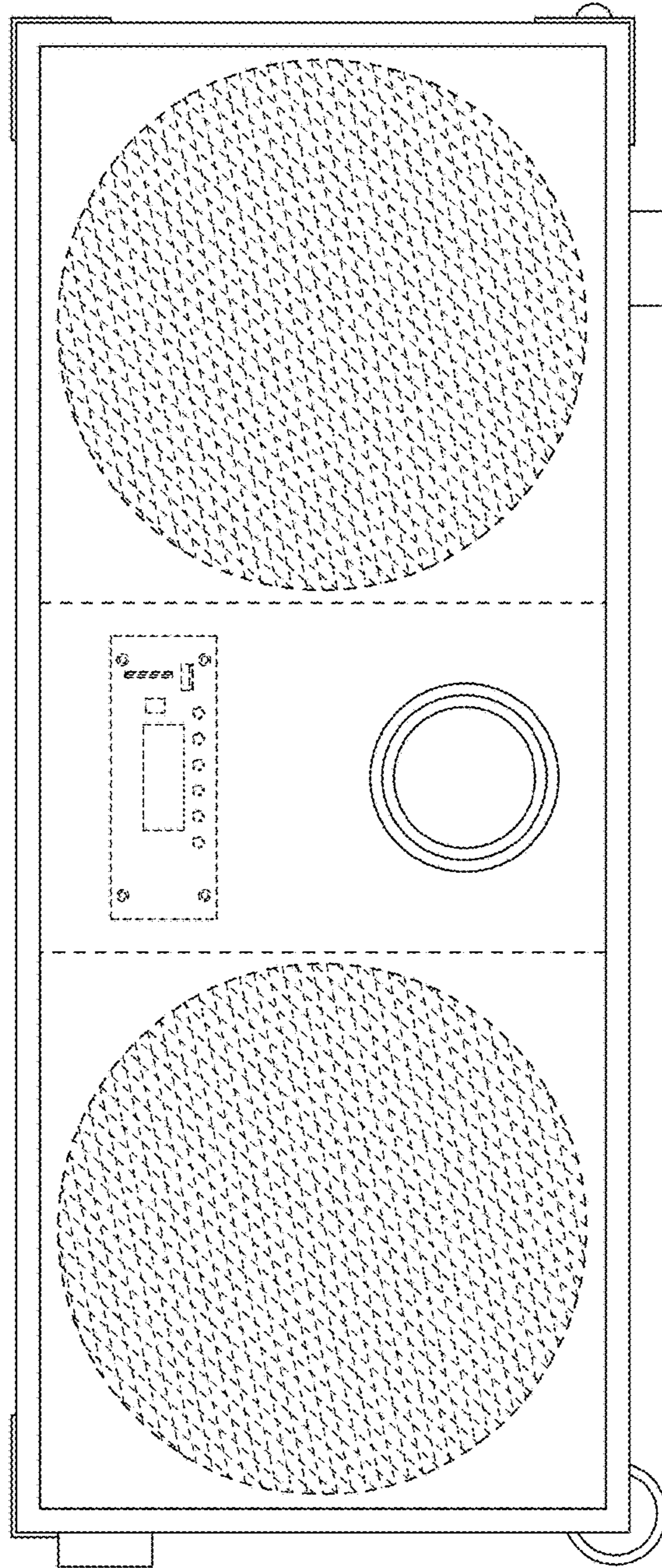


FIG. 3

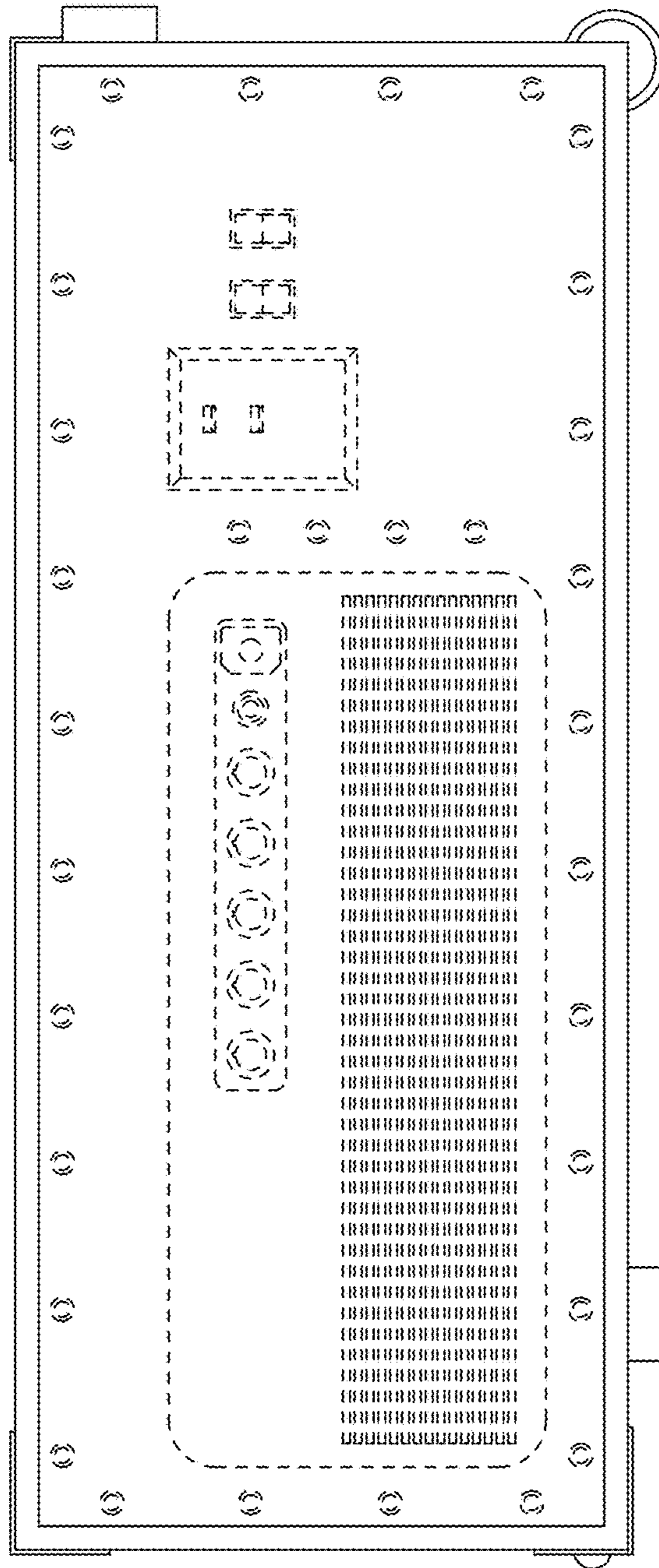


FIG. 4

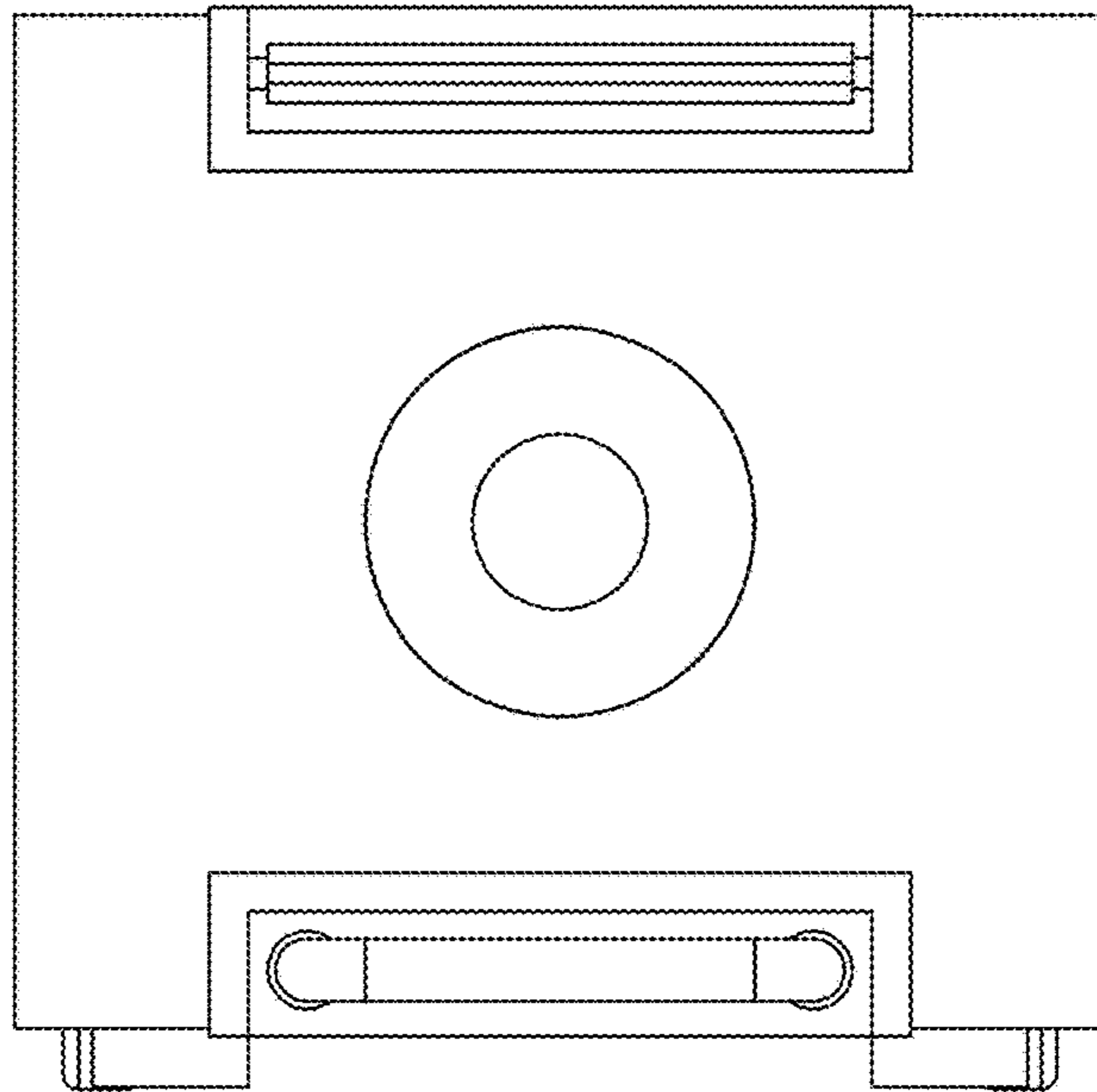


FIG. 5

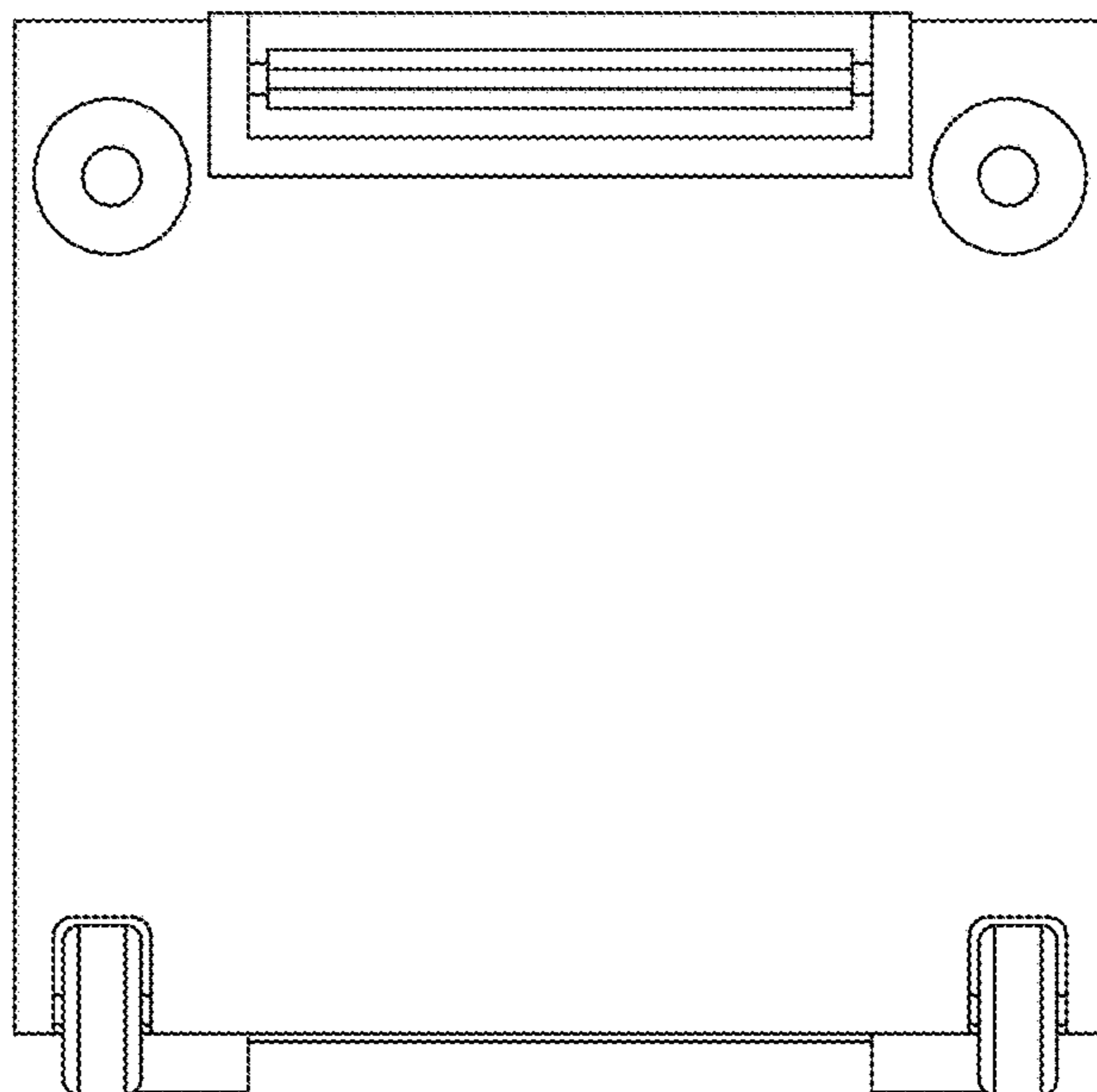


FIG. 6

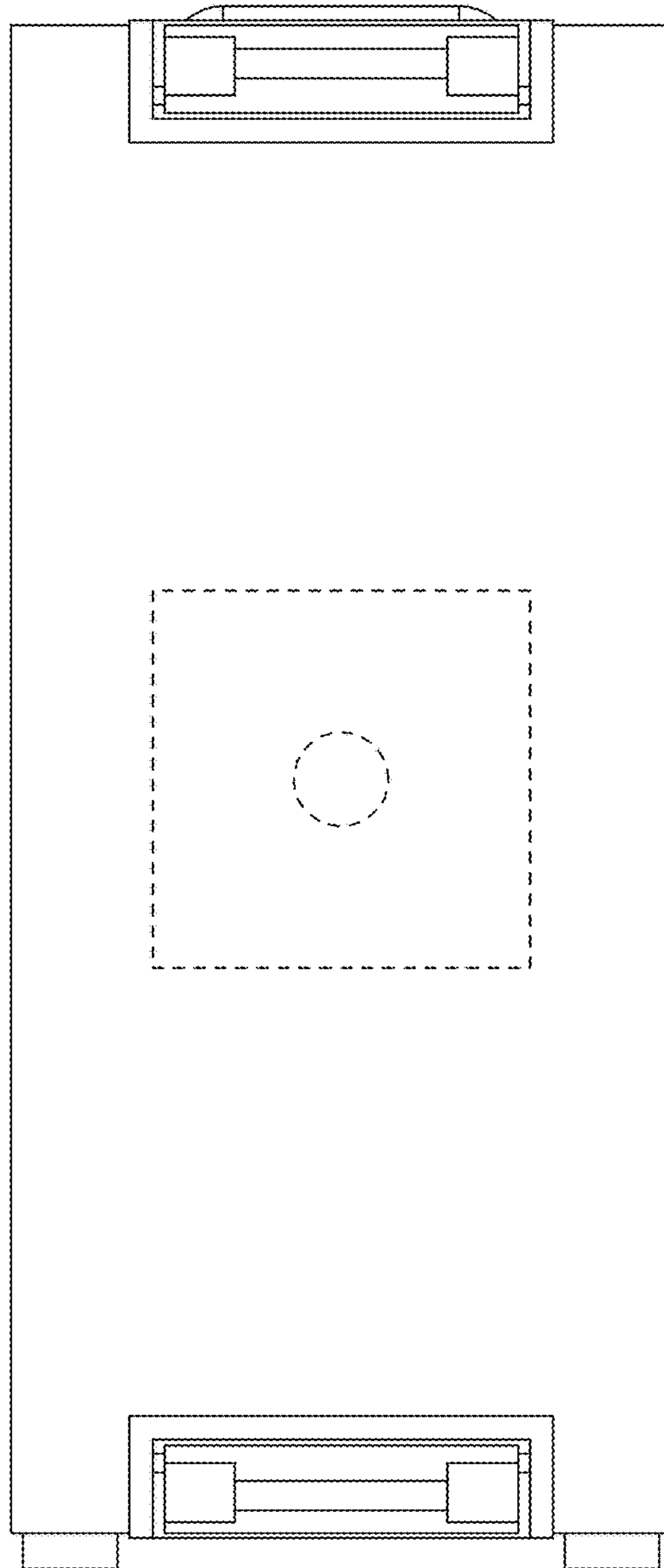


FIG. 7

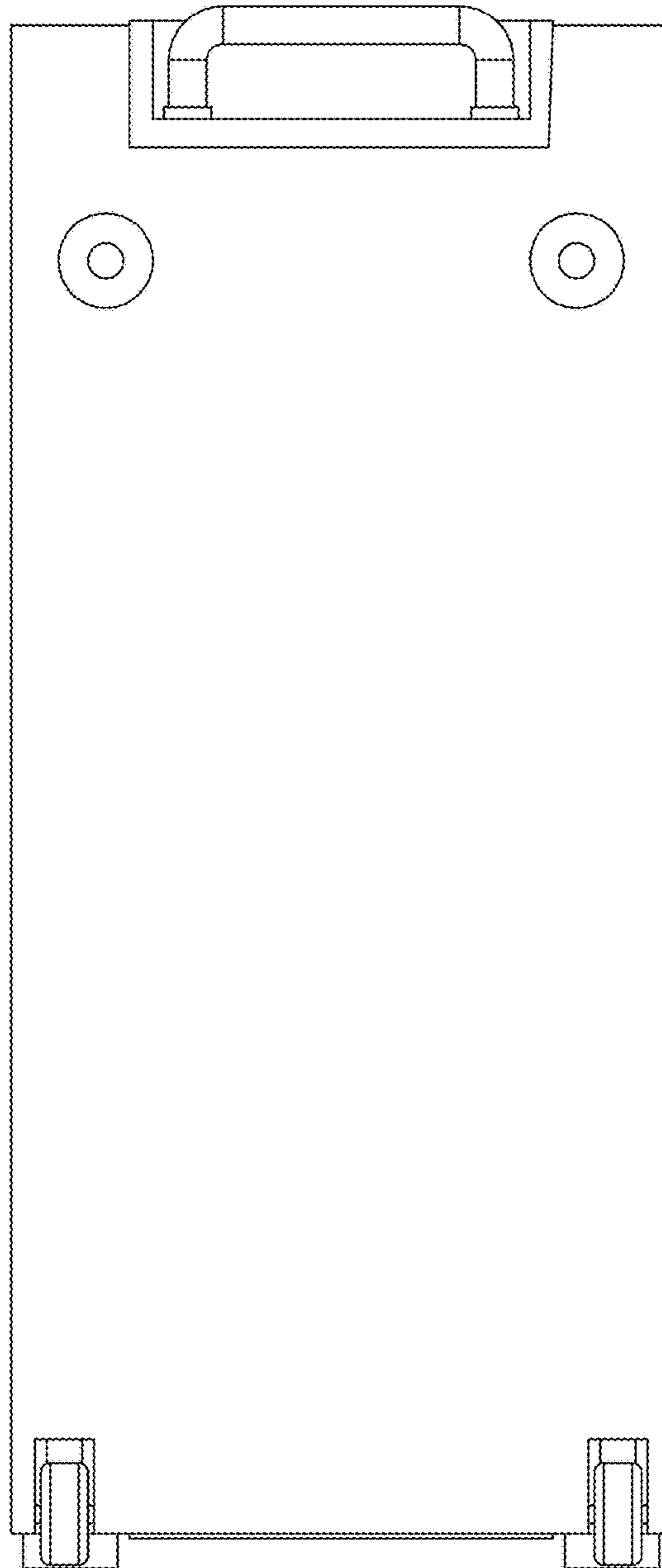


FIG. 8