

US00D864907S

(12) **United States Design Patent**
Cheney et al.

(10) **Patent No.:** **US D864,907 S**
(45) **Date of Patent:** **** Oct. 29, 2019**

(54) **WIRELESS SPEAKER SYSTEM WITH COVER**

- (71) Applicant: **Zagg Amplified, Inc.**, Midvale, UT (US)
- (72) Inventors: **John Craig Cheney**, Orem, UT (US);
Andy Fathollahi, Corona Del Mar, CA (US)
- (73) Assignee: **Zagg Amplified, Inc.**, Salt Lake City, UT (US)

- (**) Term: **15 Years**
- (21) Appl. No.: **29/632,755**
- (22) Filed: **Jan. 9, 2018**

Related U.S. Application Data

- (63) Continuation of application No. 29/522,866, filed on Apr. 2, 2015, now Pat. No. Des. 807,324, and a continuation of application No. 14/987,731, filed on Jan. 4, 2016, now Pat. No. 9,883,265.

- (51) **LOC (12) Cl.** **14-03**
- (52) **U.S. Cl.**
USPC **D14/210; D14/214**

(58) **Field of Classification Search**

USPC ... D14/214, 204, 215, 216, 250, 209.1, 210, D14/188, 194, 196, 165, 171; D21/708; 181/143, 144, 1, 148, 150, 153, 157, 199; 381/334, 182, 304, 190, 394, 395, 303
CPC H04R 25/00; H04R 1/1041; H04R 1/02; H04R 31/00; H04R 31/006; H04R 1/26; H04R 1/1025; H04R 5/02; H04R 7/20; H04R 9/06; H04R 9/025; H04R 1/023; H04R 2420/07

See application file for complete search history.

(56) **References Cited**

U.S. PATENT DOCUMENTS

- 2,967,714 A * 1/1961 Calabrese A63F 3/00094
273/271
- D230,489 S * 2/1974 Everitt D14/214
- D239,734 S 4/1976 Vong

(Continued)

FOREIGN PATENT DOCUMENTS

WO IB-2015147737 10/2015

OTHER PUBLICATIONS

Wayback Machine, AiFi Smart Stackable Sound, Jan. 6, 2015, Internet Archive Wayback Machine, All.

(Continued)

Primary Examiner — Paula Allen Greene

(74) *Attorney, Agent, or Firm* — Durham Jones & Pinegar; Sarah W. Matthews

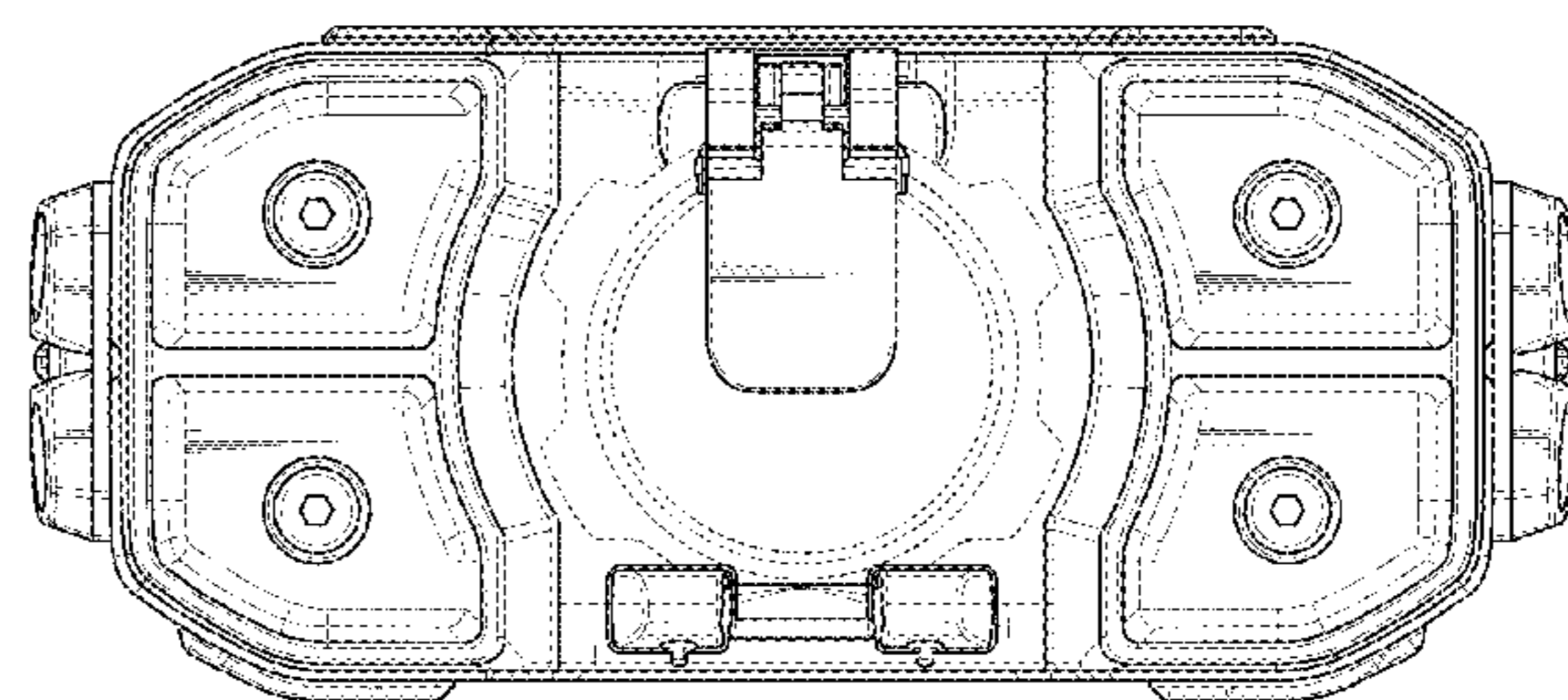
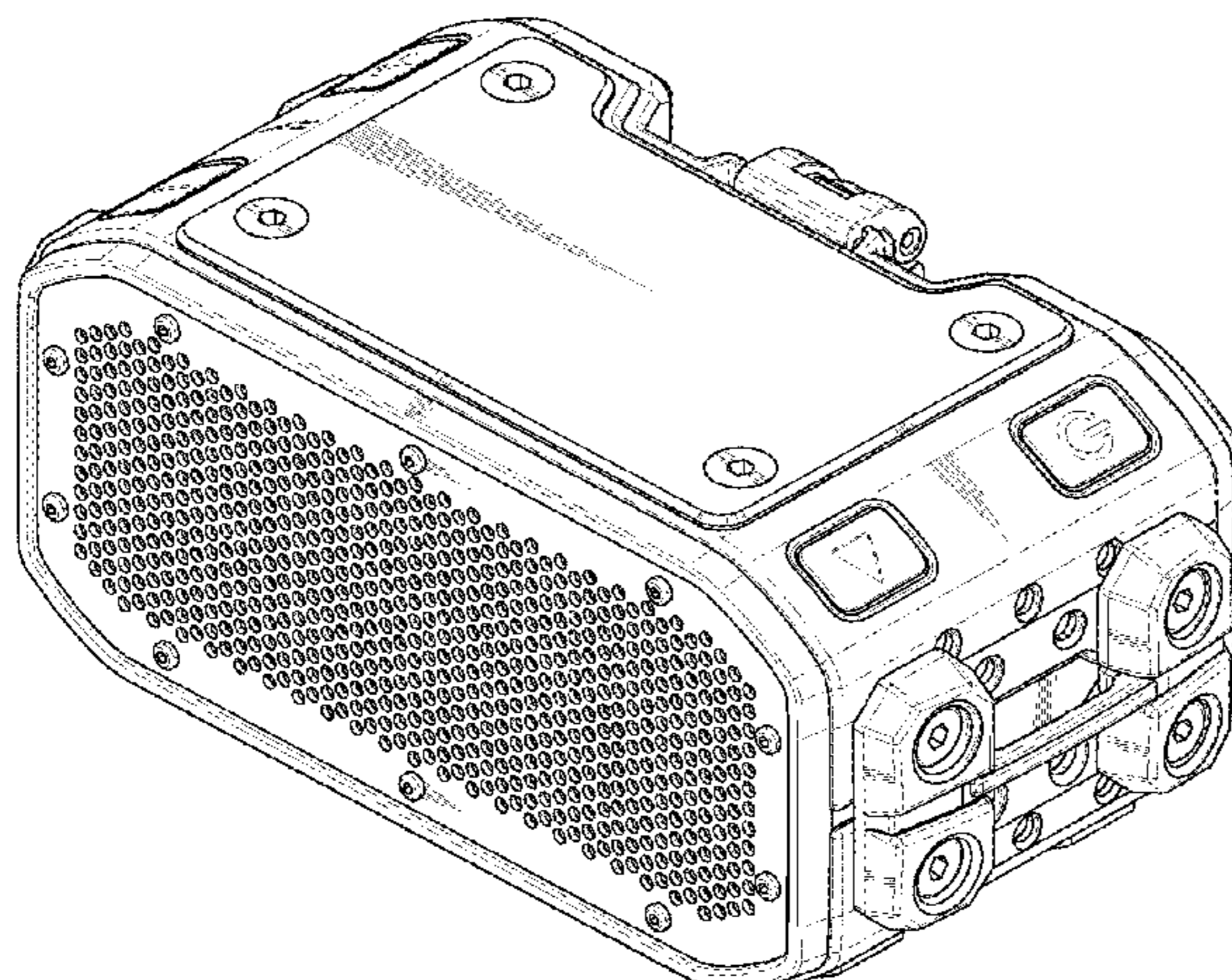
(57) **CLAIM**

The ornamental design for a wireless speaker system with cover, as shown and described.

DESCRIPTION

FIG. 1 is a perspective view of a wireless speaker system with cover showing our new design;
 FIG. 2 is a front view of the wireless speaker system with cover of FIG. 1;
 FIG. 3 is a rear view of the wireless speaker system with cover of FIG. 1;
 FIG. 4 is a right side view of the wireless speaker system with cover of FIG. 1;
 FIG. 5 is a left side view of the wireless speaker system with cover of FIG. 1;
 FIG. 6 is a top end view of the wireless speaker system with cover of FIG. 1; and,
 FIG. 7 is a bottom end view of the wireless speaker system with cover of FIG. 1.
 The broken lines depict environment that forms no part of the claimed design.

1 Claim, 7 Drawing Sheets



(56)

References Cited

U.S. PATENT DOCUMENTS

D256,002 S * 7/1980 Price D10/120
 4,582,162 A * 4/1986 Katsuno B60R 11/0217
 181/141
 D328,746 S * 8/1992 Ishibashi D14/168
 D334,418 S 3/1993 Woo
 D336,088 S 6/1993 Fisher
 D446,785 S 8/2001 Ohta
 D452,490 S 12/2001 Shintani
 D489,707 S 5/2004 Kobayashi
 D510,927 S 10/2005 Harris, Jr.
 D533,163 S * 12/2006 Takase D14/215
 D584,288 S 1/2009 Kim
 D610,571 S 2/2010 Jha
 D610,573 S 2/2010 Joseph
 D621,384 S 8/2010 Kao
 D632,671 S 2/2011 Wada
 D641,006 S * 7/2011 Anthony D14/214
 D641,732 S 7/2011 Liner
 D654,474 S * 2/2012 Hawkins D14/214
 D654,906 S * 2/2012 Warden D14/214
 D655,272 S * 3/2012 Kawase D14/194
 D655,691 S 3/2012 Stewart, Jr. et al.
 D659,670 S 5/2012 Goetzen et al.
 D664,120 S 7/2012 Larson
 D664,121 S 7/2012 Larson
 D674,779 S 1/2013 Joseph
 D682,816 S 5/2013 Fathollahi
 D683,718 S * 6/2013 Brunner D14/209.1
 D690,287 S 9/2013 Belfanti et al.
 D692,863 S * 11/2013 Givre D14/214
 D692,864 S * 11/2013 Givre D14/214
 D693,417 S 11/2013 Kim
 D698,336 S * 1/2014 Givre D14/214
 D700,166 S 2/2014 Petersen
 D704,076 S 5/2014 Poandl
 D704,678 S 5/2014 Katsumata
 D708,165 S 7/2014 Woo et al.
 D709,855 S * 7/2014 Jonas D13/107
 D710,825 S 8/2014 Florczak et al.
 D711,354 S * 8/2014 Florczak D14/215
 D711,854 S * 8/2014 Sulzer D14/221
 D715,766 S * 10/2014 Osborn D14/210
 D717,778 S 11/2014 Zermeno
 D725,078 S 3/2015 Wong
 D727,292 S * 4/2015 Anthony D14/214
 D727,874 S * 4/2015 Christner D14/210
 D729,762 S 5/2015 Hu et al.
 D731,465 S * 6/2015 Khubani D14/216
 D736,746 S * 8/2015 Cheng D14/217
 D738,854 S 9/2015 Babcock
 D739,845 S * 9/2015 Hwang D14/214
 D750,595 S * 3/2016 Weiss D14/215
 D752,549 S * 3/2016 Jakowski D14/214
 D762,618 S * 8/2016 Lawrence D14/214

D764,438 S * 8/2016 Pobeda D14/214
 D767,534 S * 9/2016 Xiong D14/214
 D768,958 S * 10/2016 Dickson D2/712
 D770,423 S * 11/2016 Osborn D14/204
 D793,993 S * 8/2017 Song D14/214
 D794,604 S * 8/2017 Cheney D14/204
 D804,449 S * 12/2017 Cheney D14/216
 9,854,344 B2 * 12/2017 Cheney H04R 1/1025
 D807,324 S * 1/2018 Cheney et al.
 9,883,265 B2 * 1/2018 Cheney H04R 1/02
 D813,199 S * 3/2018 Hu D14/214
 D817,307 S * 5/2018 Spillmann D14/214
 D817,925 S * 5/2018 Jang D14/214
 D822,000 S * 7/2018 Lin D14/214
 D822,634 S * 7/2018 Zaihui D14/204
 D824,879 S * 8/2018 Vogt, Jr. D14/214
 D827,608 S * 9/2018 Nugent D14/214
 D830,328 S * 10/2018 Nugent D14/204
 D834,559 S * 11/2018 Zhang D14/214
 D836,603 S * 12/2018 Warden D14/214
 D837,187 S * 1/2019 Kasten D14/221
 D840,966 S * 2/2019 Cheney D14/204
 10,237,642 B2 * 3/2019 Cheney H04R 1/1025
 2008/0123894 A1 5/2008 Lu
 2011/0286613 A1 11/2011 Lipsky et al.
 2012/0177237 A1 7/2012 Shukla et al.
 2014/0029782 A1 1/2014 Rayner
 2015/0096828 A1 * 4/2015 Fathollahi H04R 1/023
 181/156
 2015/0098582 A1 * 4/2015 Florczak H04R 1/02
 381/77
 2015/0304757 A1 10/2015 Kim et al.

OTHER PUBLICATIONS

Dzikiy, Phil , “Show Report: Incipio/Braven”, <http://www.ilounge.com/index.php/ces/report/incipio-braven>, Jan. 6, 2015.
 Dzikiy, Phil , “Review: Braven BRV-PRO Bluetooth Speaker”, <http://www.ilounge.com/index.php/reviews/entry/braven-brv-pro-bluetooth-speaker>, Jun. 16, 2015.
 Guy, Nick , “Braven BRV-Bank Smart Rugged Portable Power Bank”, <http://www.ilounge.com/index.php/reviews/entry/braven-brv-bank-smart-rugged-portable-power-bank/>, Jul. 2, 2014.
 Hollington, Jesse , “Braven intros new speakers at CES, including theBRV-XXL and BRV-Blade LE”, <http://www.ilounge.com/index.php/news/comments/braven-intros-new-speakers-at-ces-including-the-brv-xxl-and-brv-blade-le>, Jan. 7, 2016.
 Horwitz, Jeremy , “Review: Braven BRV-1 Wireless Bluetooth”, <http://www.ilounge.com/index.php/reviews/entry/braven-brv-1-wireless-bluetooth-speaker/>, May 3, 2013.
 Horwitz, Jeremy , “Review: Braven BRV-X Bluetooth Wireless”, <http://www.ilounge.com/index.php/reviews/entry/braven-brv-x-bluetooth-wireless-speaker/>.

* cited by examiner

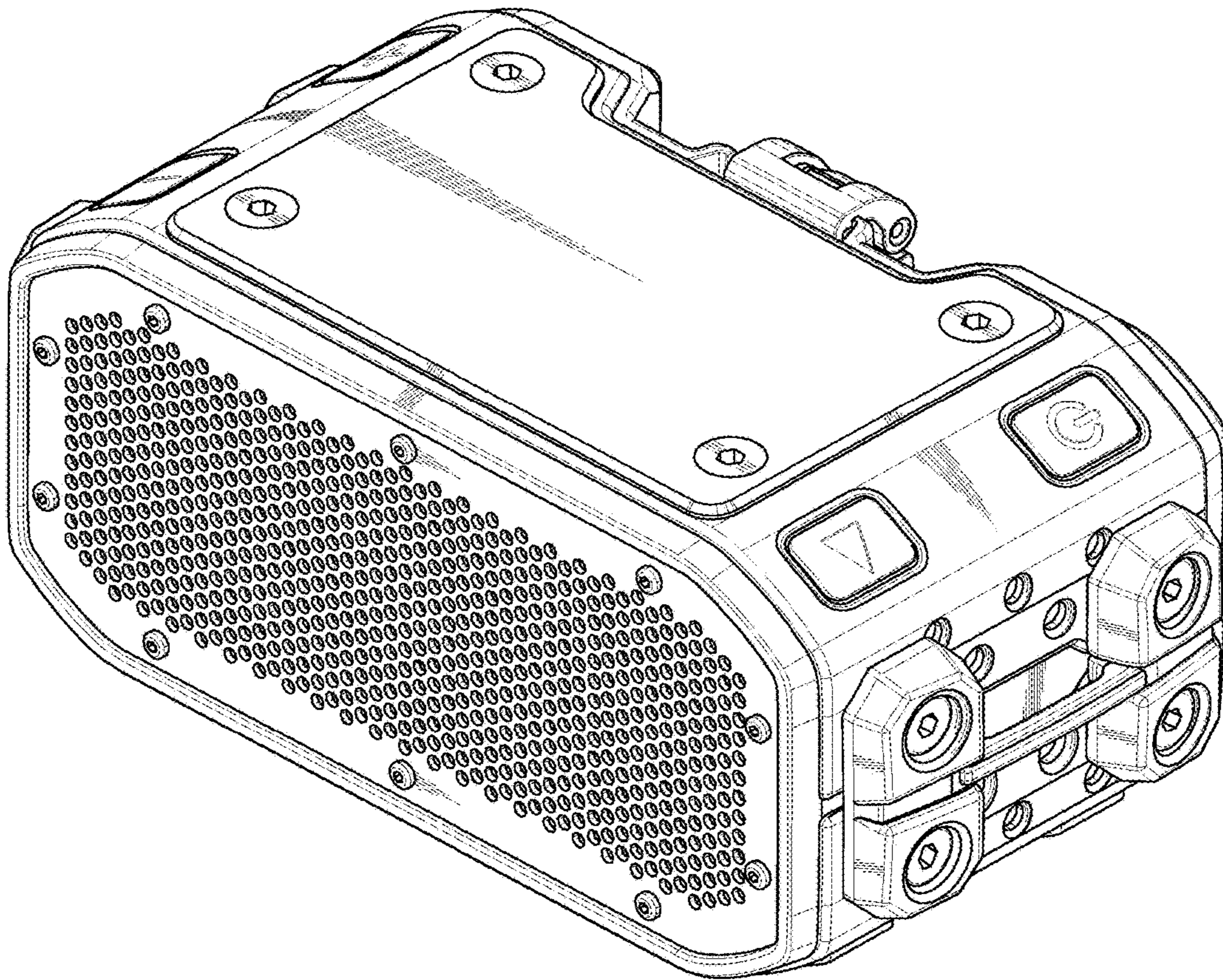


FIG. 1

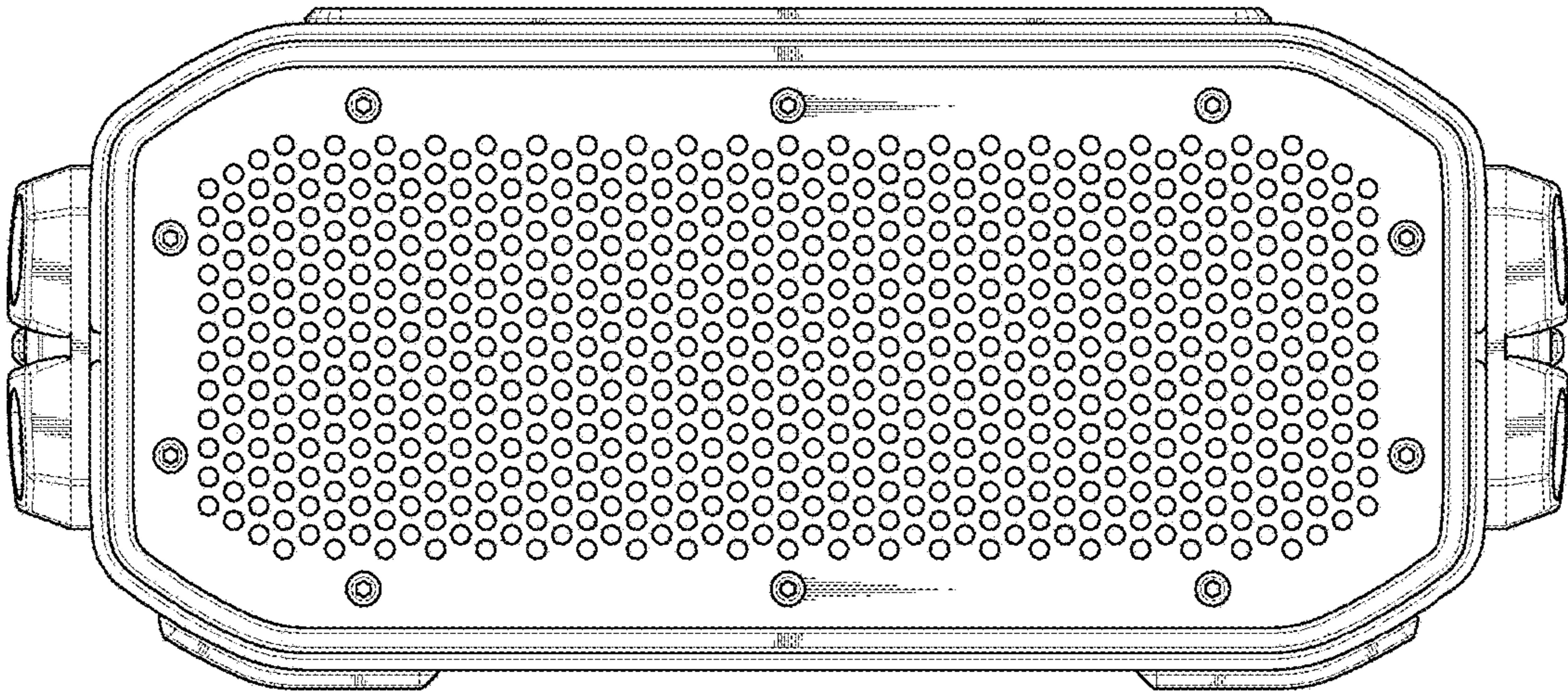


FIG. 2

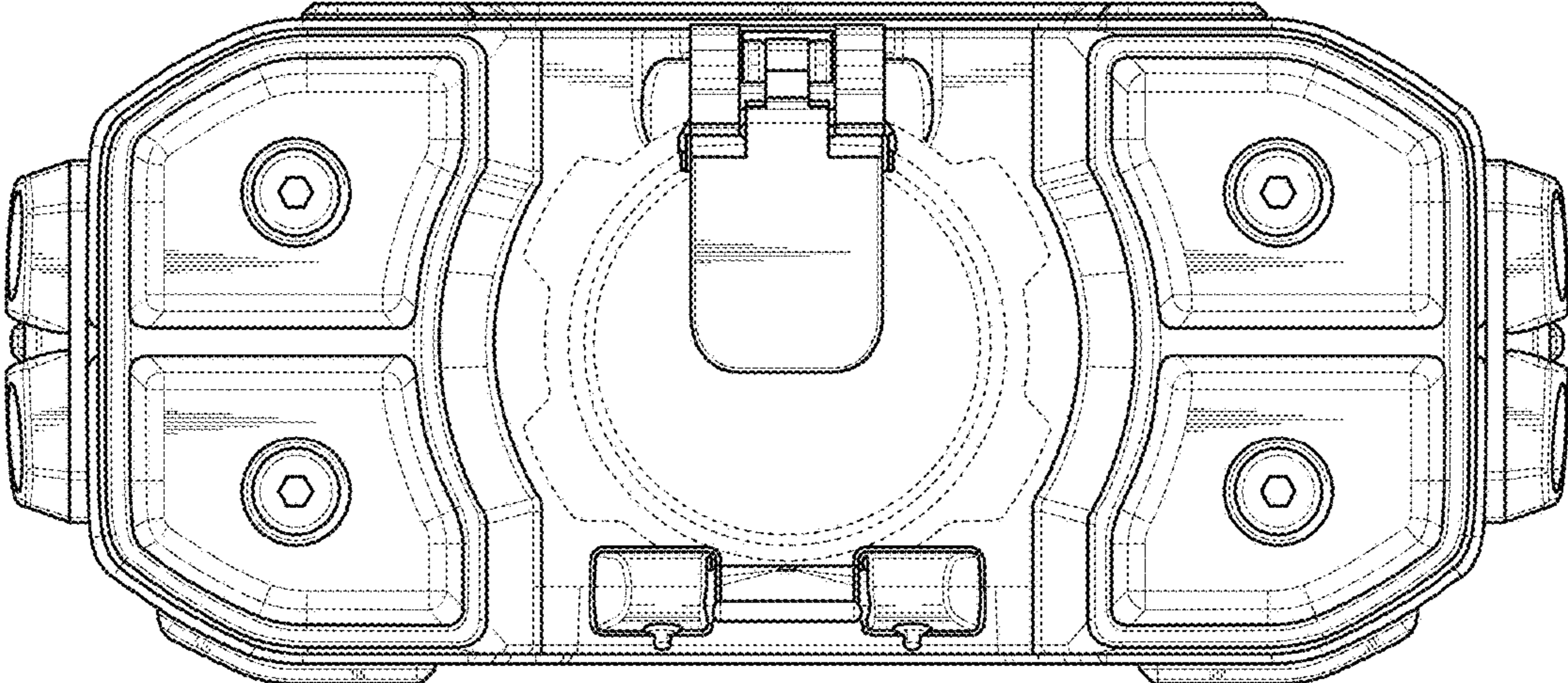


FIG. 3

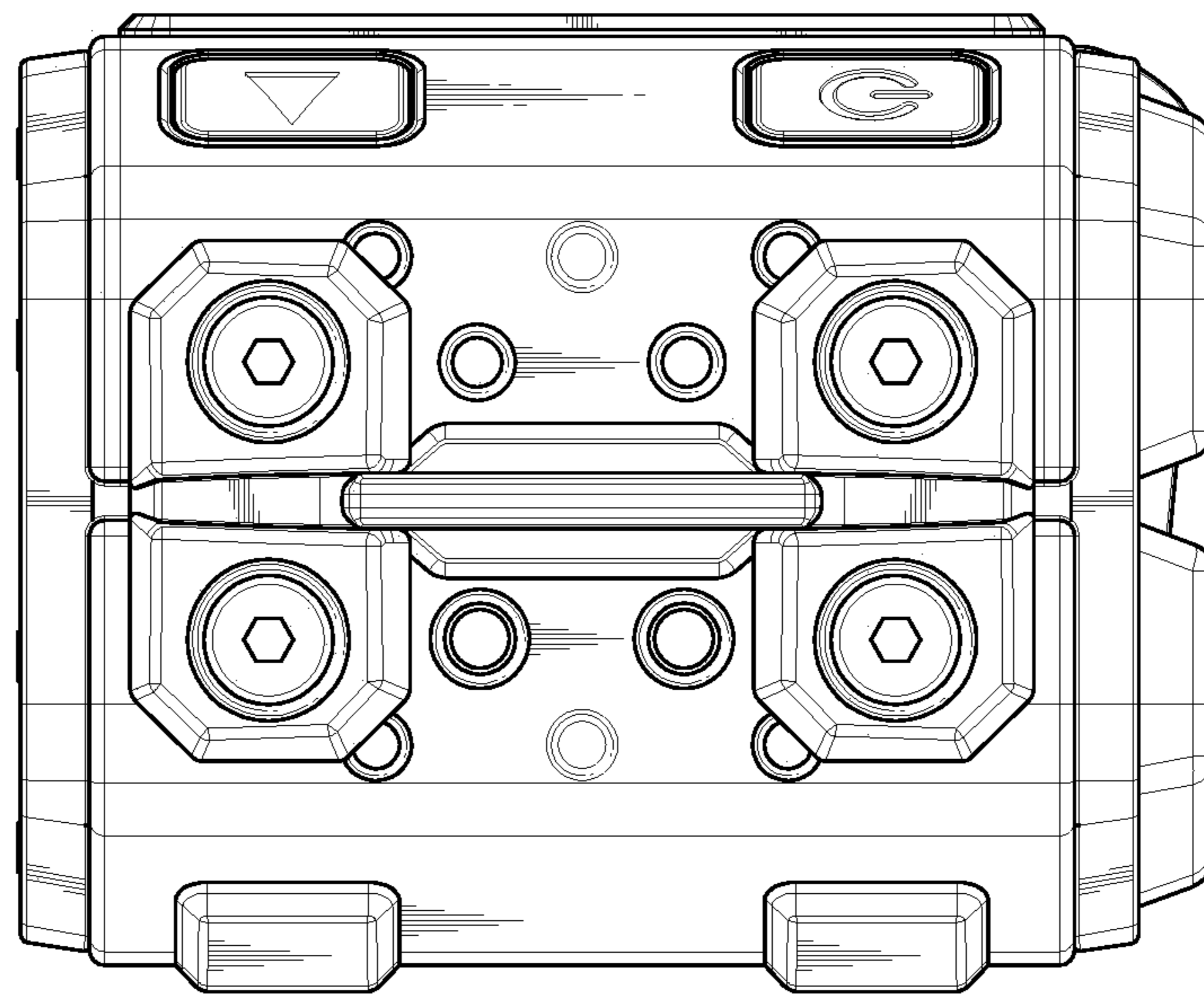


FIG. 4

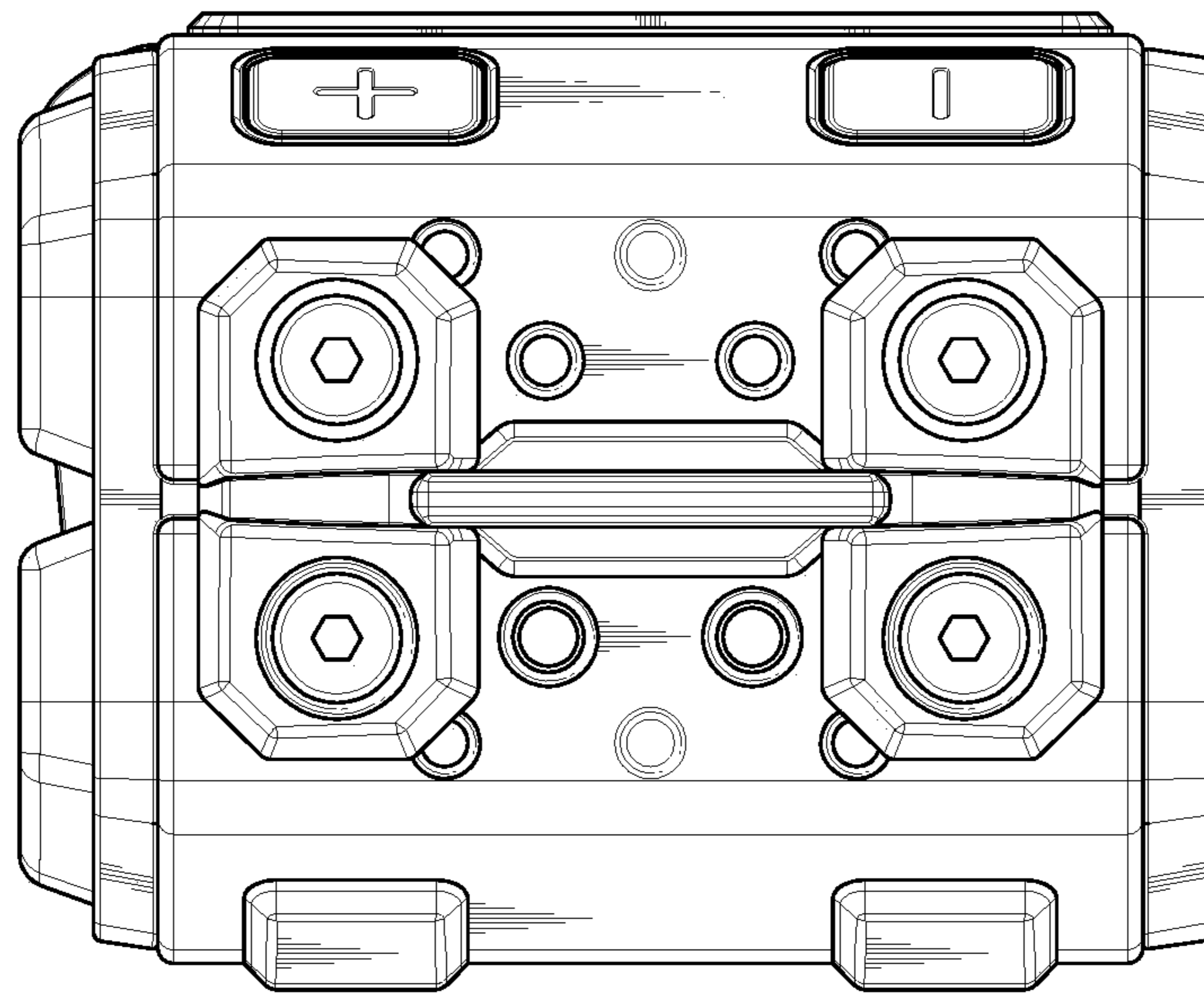


FIG. 5

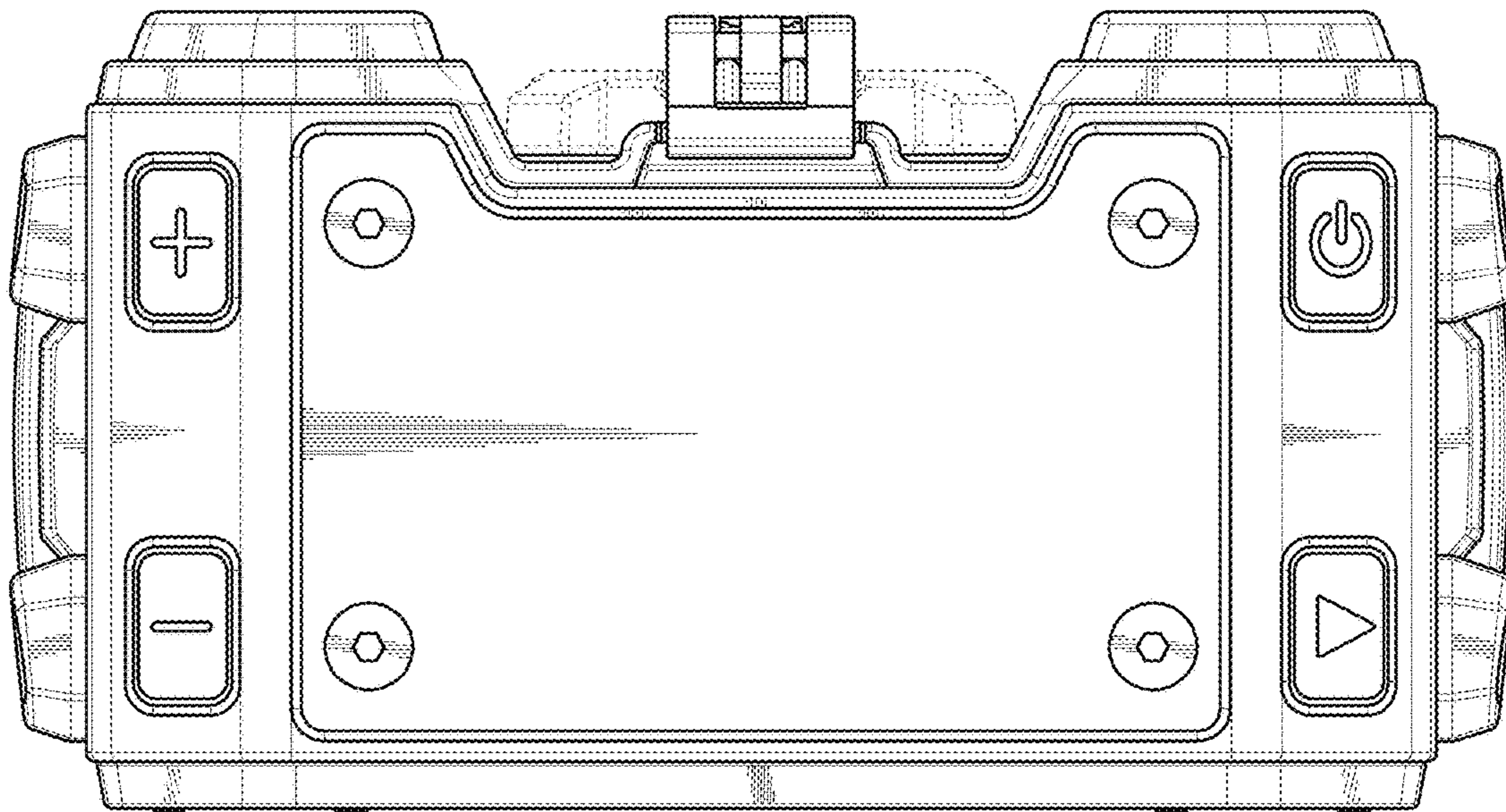


FIG. 6

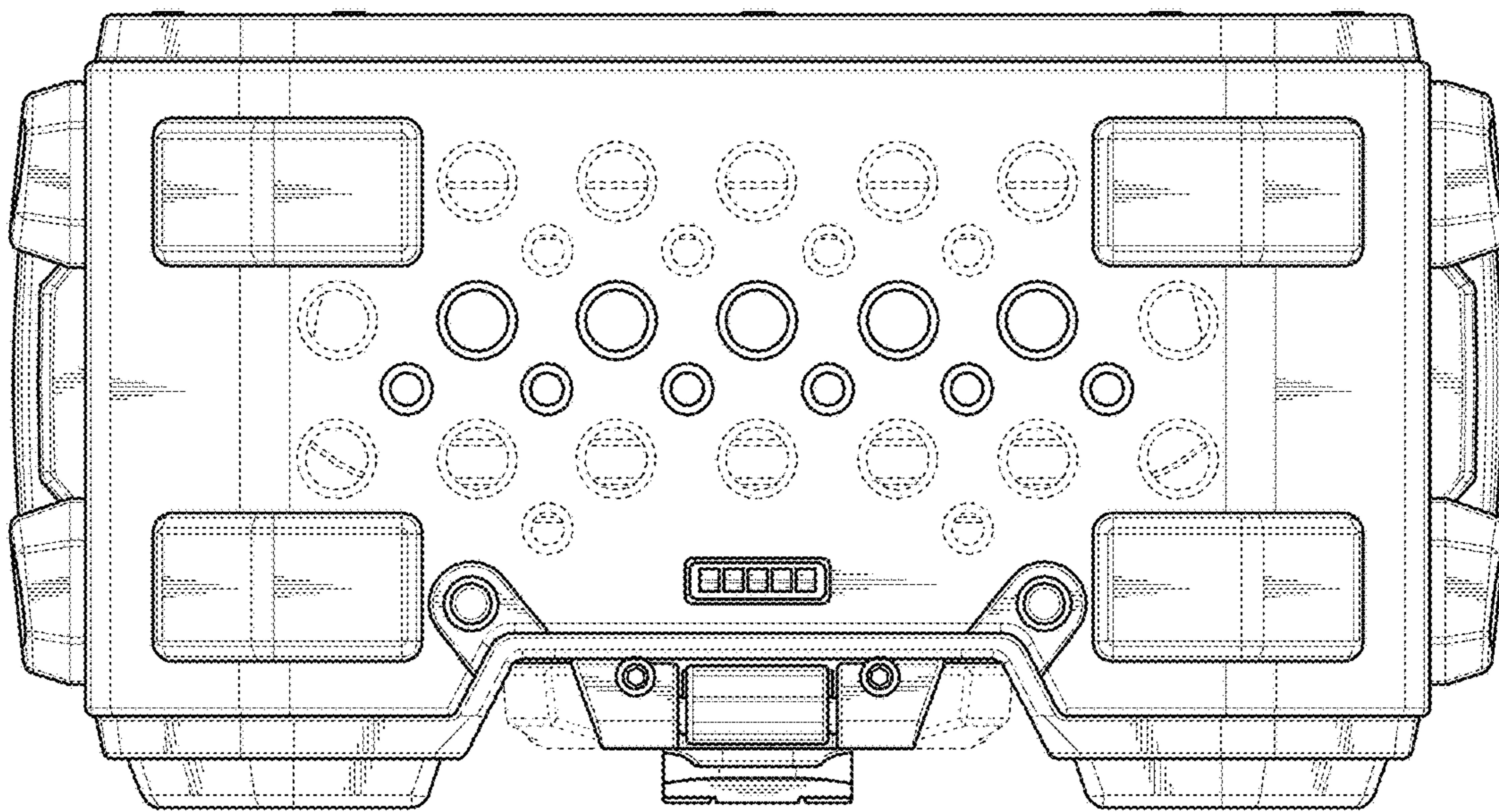


FIG. 7