

US00D864903S

(12) **United States Design Patent**
Liu

(10) **Patent No.:** **US D864,903 S**

(45) **Date of Patent:** **** Oct. 29, 2019**

(54) **GAMING HEADSET**

(71) Applicant: **Hanbing Liu**, Dongguan (CN)

(72) Inventor: **Hanbing Liu**, Dongguan (CN)

(**) Term: **15 Years**

(21) Appl. No.: **29/635,227**

(22) Filed: **Jan. 29, 2018**

(51) **LOC (12) Cl.** **14-01**

(52) **U.S. Cl.**

USPC **D14/206**

(58) **Field of Classification Search**

USPC D14/206, 372, 205, 188, 192, 225, 226,
D14/228; D29/112; 2/209; 181/129,
181/130, 135; 379/430, 431; 381/380,
381/381, 374; 455/90.3, 575.1, 569.1;
345/7, 8

CPC H04R 25/00; H04R 1/10; H04R 1/1066;
H04R 1/1016; H04R 5/0335; G09G 5/00

See application file for complete search history.

(56) **References Cited**

U.S. PATENT DOCUMENTS

- 2,846,521 A * 8/1958 Beidler H04M 1/05
381/182
- 3,787,899 A * 1/1974 Krawagna H04R 1/1066
2/209
- 4,133,053 A * 1/1979 Lundin H04R 1/1058
2/209
- D291,198 S * 8/1987 Bellini D14/205
- D302,429 S * 7/1989 Leer D14/137
- 5,185,807 A * 2/1993 Bergin H04R 1/1066
181/128
- D377,021 S * 12/1996 Isono D14/205
- D377,174 S * 1/1997 Runquist D14/206
- D386,181 S * 11/1997 Fisher D14/192
- 5,793,878 A * 8/1998 Chang H04R 5/0335
381/370

- 6,654,966 B2 * 12/2003 Rolla H04R 1/1066
2/209
- 6,678,897 B2 * 1/2004 Lindgren A61F 11/14
181/129
- D504,419 S * 4/2005 Bey D14/223
- D512,708 S * 12/2005 Harris, Jr. D14/205
- D514,086 S * 1/2006 Skulley D14/206
- D517,528 S * 3/2006 Skulley D14/206
- D518,479 S * 4/2006 Skulley D14/225
- D530,307 S * 10/2006 Rath D14/206
- D531,165 S * 10/2006 Rath D14/206
- 7,114,823 B2 * 10/2006 McCullough F21V 33/0056
362/105
- D540,778 S * 4/2007 Thompson D14/206
- D552,077 S * 10/2007 Brunner D14/205
- D563,382 S * 3/2008 Wikel D14/205
- 7,391,878 B2 * 6/2008 Liao H04R 5/033
381/370
- D585,871 S * 2/2009 Lee D14/205
- D592,639 S * 5/2009 Kuh D14/205
- D594,847 S * 6/2009 Suzuki D14/205
- D628,189 S * 11/2010 Rath D14/206
- D637,579 S * 5/2011 Hamaura D14/205

(Continued)

Primary Examiner — Paula Allen Greene

(74) *Attorney, Agent, or Firm* — Gokalp Bayramoglu

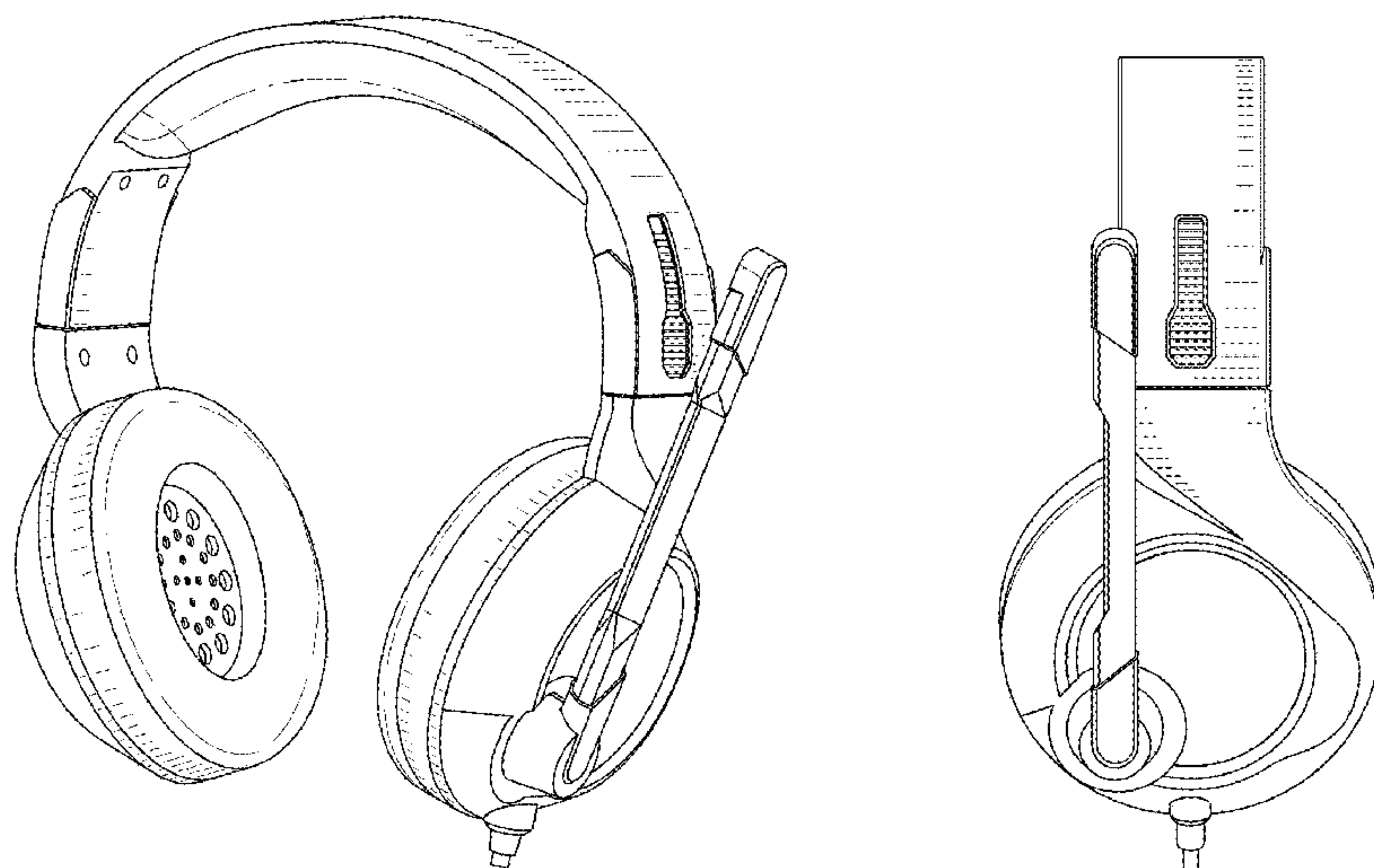
(57) **CLAIM**

The ornamental design for a gaming headset, as shown and described.

DESCRIPTION

FIG. 1 is a perspective view of the gaming headset showing my new design;
FIG. 2 is a front view thereof;
FIG. 3 is a back view thereof;
FIG. 4 is a left side view thereof;
FIG. 5 is a right side view thereof;
FIG. 6 is a top view thereof; and,
FIG. 7 is a bottom view thereof.

1 Claim, 7 Drawing Sheets



(56)

References Cited

U.S. PATENT DOCUMENTS

D643,405 S * 8/2011 Rath D14/206
 D645,023 S * 9/2011 Brandis D14/206
 D662,080 S * 6/2012 Carr D14/205
 D664,116 S * 7/2012 Hutchieson D14/205
 8,325,962 B2 * 12/2012 Ishida H04R 5/0335
 381/370
 D673,519 S * 1/2013 Tan D14/205
 D673,524 S * 1/2013 Brennwald D14/206
 D681,014 S * 4/2013 Ham D14/206
 D684,145 S * 6/2013 Rath D14/206
 D712,375 S * 9/2014 Miyake D14/205
 D716,762 S * 11/2014 Greve D14/206
 D717,767 S * 11/2014 Mistry D14/206
 D719,136 S * 12/2014 Schaal D14/205
 D721,052 S * 1/2015 Carr D14/205
 D729,196 S * 5/2015 Liu D14/205
 D737,799 S * 9/2015 Carr D14/205

D740,256 S * 10/2015 Carr D14/206
 9,344,794 B1 * 5/2016 Blonder H04R 5/0335
 D773,434 S * 12/2016 Wu D14/205
 D778,258 S * 2/2017 Hsu D14/205
 D787,470 S * 5/2017 Kelly D14/205
 D800,691 S * 10/2017 Ando D14/205
 D815,614 S * 4/2018 Tzeng D14/205
 D832,813 S * 11/2018 Levine D14/205
 D836,085 S * 12/2018 Sun D14/206
 D840,977 S * 2/2019 Pu D14/206
 D841,620 S * 2/2019 Liu D14/206
 D843,348 S * 3/2019 Burgess D14/206
 D843,349 S * 3/2019 Burgess D14/206
 D845,927 S * 4/2019 Wang D14/206
 D851,063 S * 6/2019 Deng D14/206
 D851,064 S * 6/2019 Wang D14/206
 2011/0194721 A1 * 8/2011 Schmidt H04R 1/1066
 381/370
 2011/0206216 A1 * 8/2011 Brunner H04R 1/1066
 381/74

* cited by examiner



FIG. 1

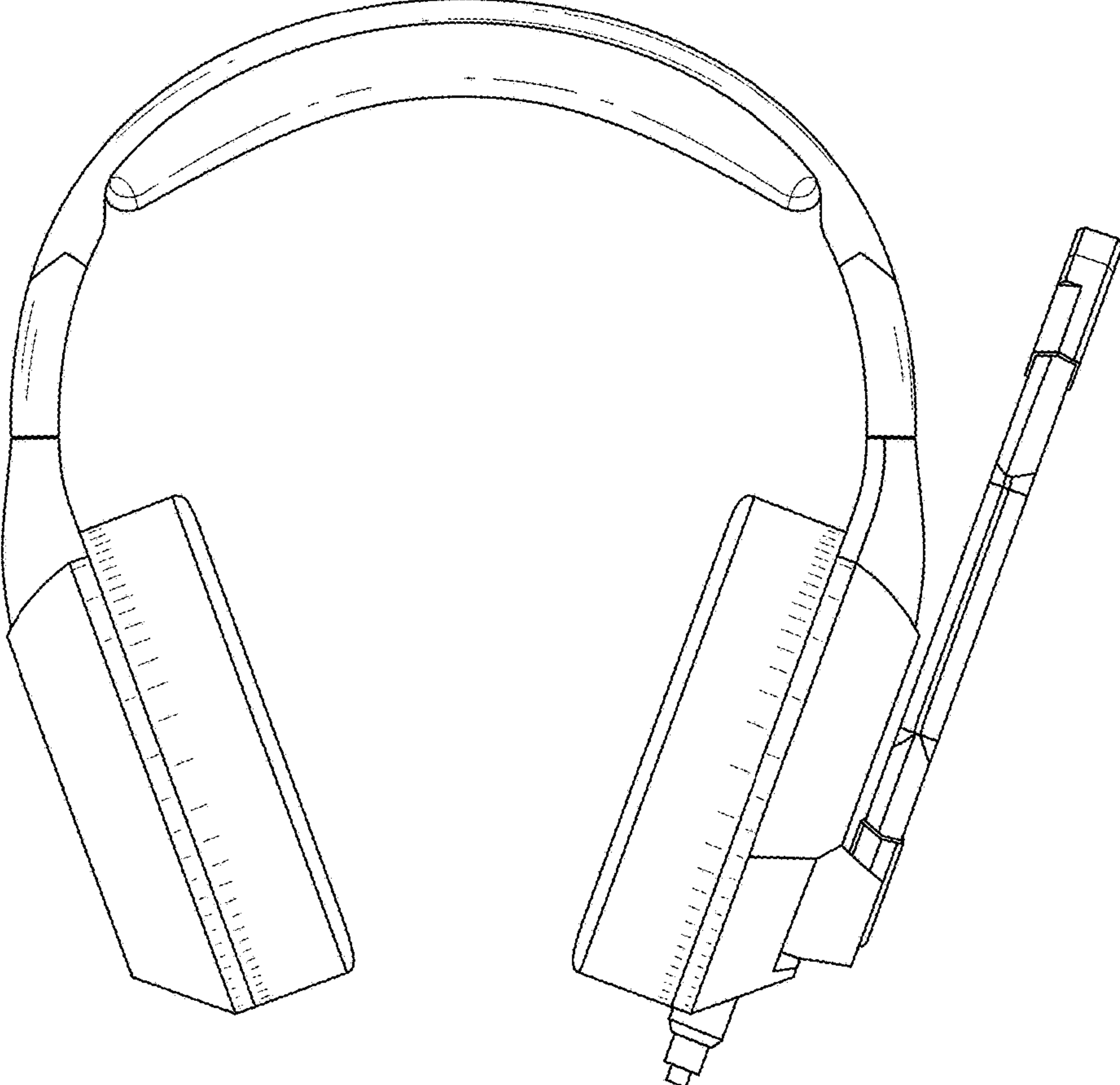


FIG. 2



FIG. 3

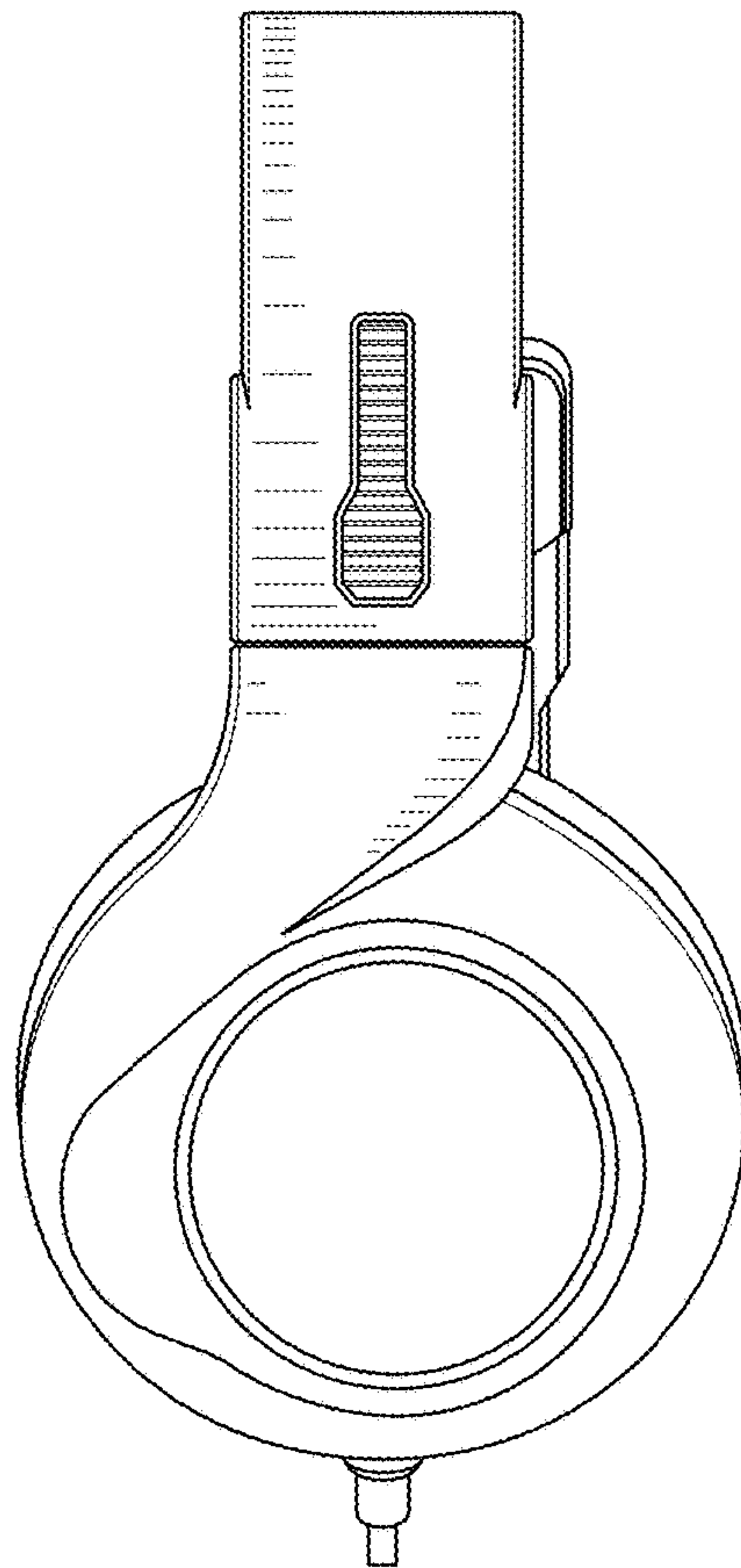


FIG. 4

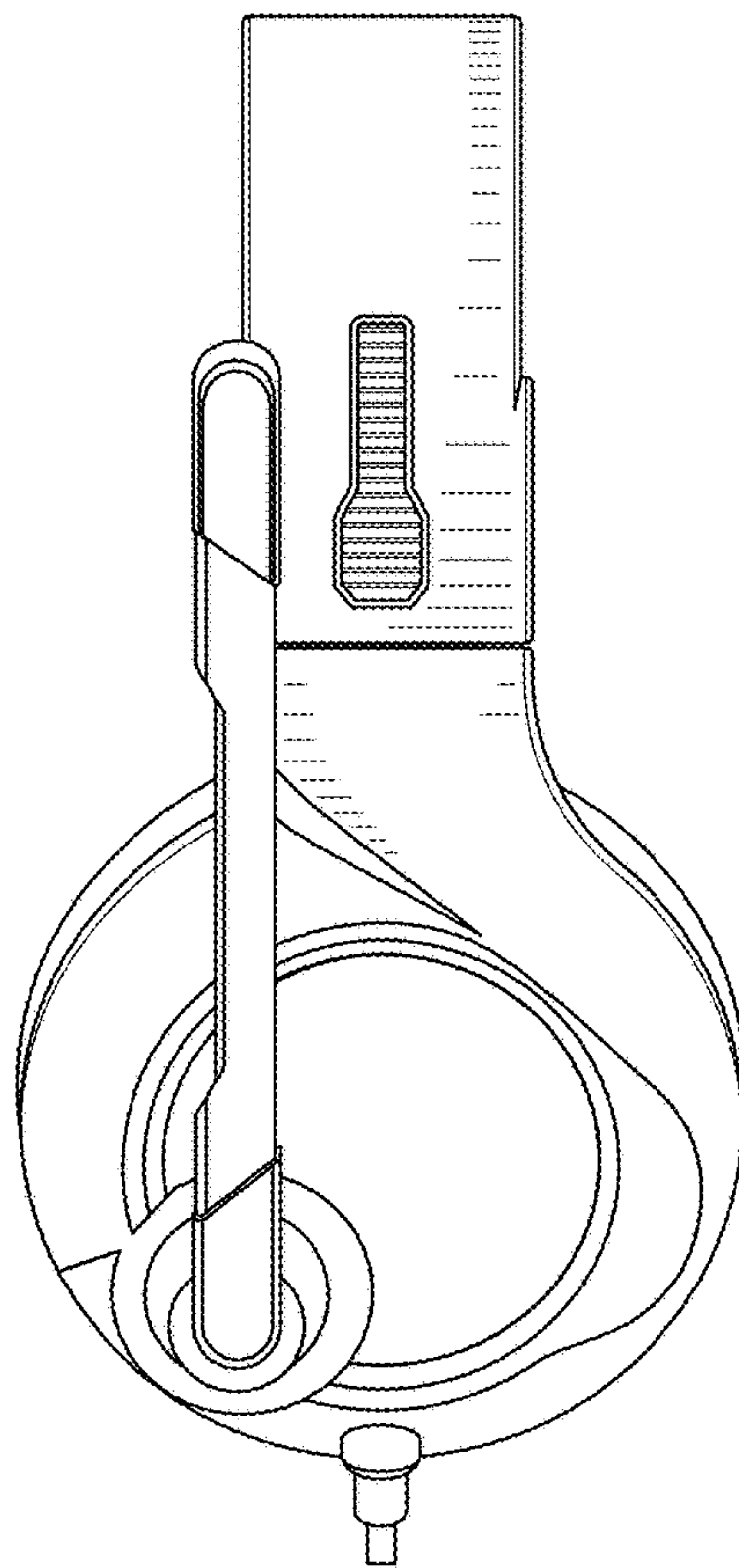


FIG. 5

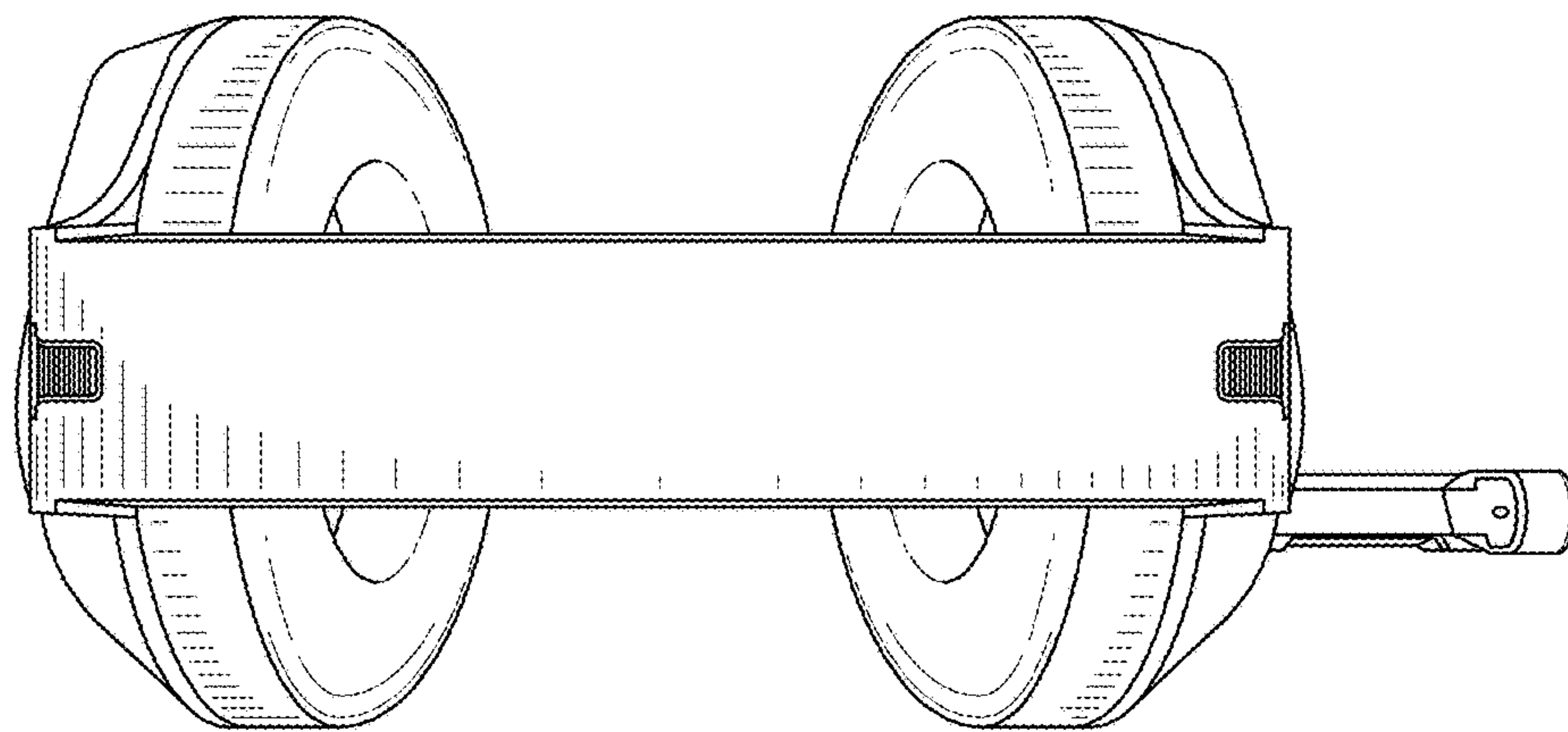


FIG. 6

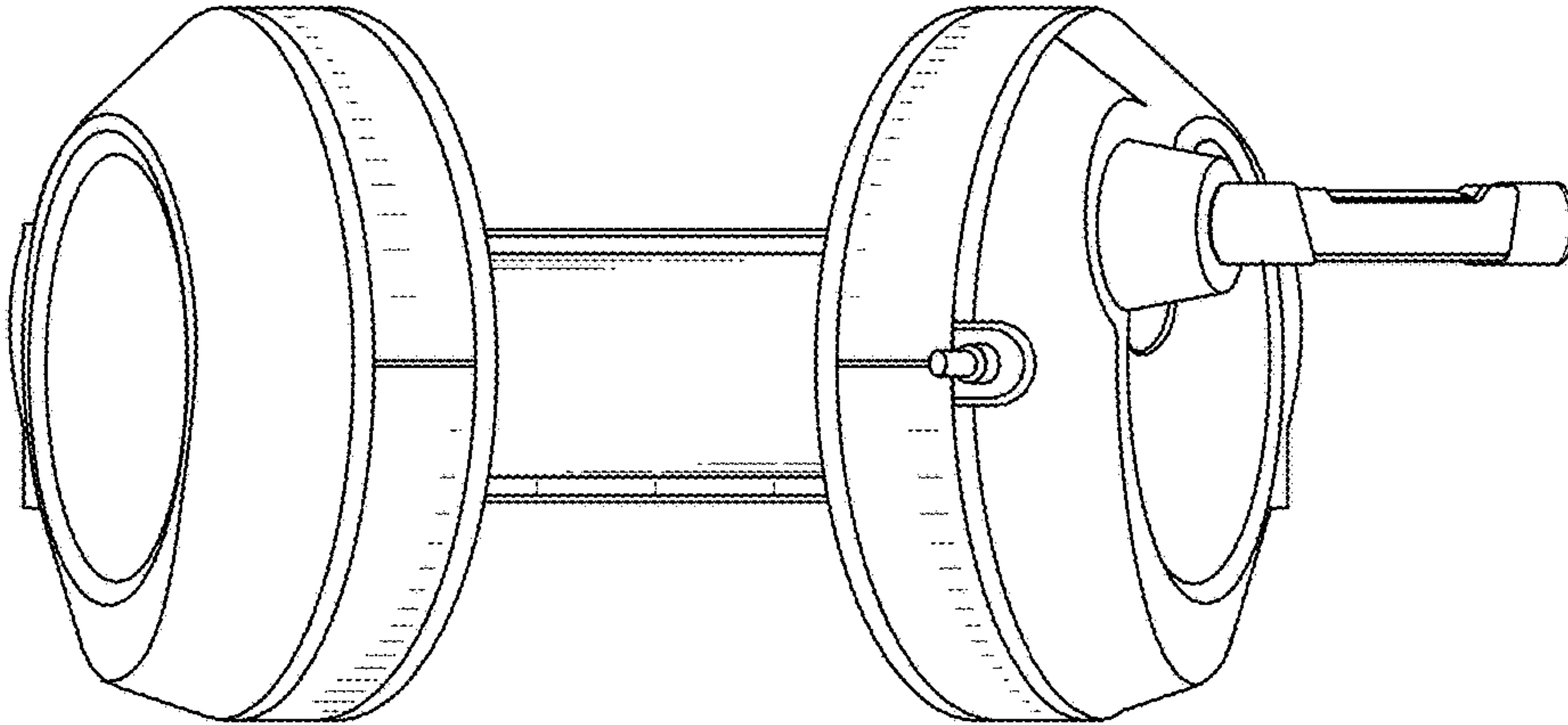


FIG. 7