

US00D864902S

(12) **United States Design Patent**
Blundell et al.

(10) **Patent No.:** **US D864,902 S**

(45) **Date of Patent:** **** Oct. 29, 2019**

- (54) **HEADSET HEADBAND COVER**
- (71) Applicant: **Gentex Corporation**, Simpson, PA (US)
- (72) Inventors: **Michael Pearson Blundell**, Windham, NH (US); **Ross Fade Barber**, Auburn, NH (US)
- (73) Assignee: **GENTEX CORPORATION**, Simpson, PA (US)
- (**) Term: **15 Years**
- (21) Appl. No.: **29/648,130**
- (22) Filed: **May 18, 2018**
- (51) **LOC (12) Cl.** **14-01**
- (52) **U.S. Cl.**
USPC **D14/205**
- (58) **Field of Classification Search**
USPC D14/205, 217; D29/112, 122, 108; D3/318, 327; D2/639; D11/200, 215; 132/212; D24/186, 187, 128, 164; 381/370, 380, 381, 383; 24/353; 224/264; 297/482; 181/129, 130, 135; 379/430, 431; 455/90.3, 575.1, 569.1; 2/209, 181, 171, 209.13, 411, 425, 423, 2/195.1, 181.6, 183.53, 62, 68, DIG. 11
CPC H04R 25/00; H04R 1/10; H04R 1/1066; H04R 1/1016; H04R 5/033; H04R 5/0335; A42B 1/00
See application file for complete search history.

(56) **References Cited**

U.S. PATENT DOCUMENTS

- 980,421 A * 1/1911 Jordan 224/264
- 1,555,928 A * 10/1925 Morrissey H04R 5/0335
2/209
- 1,571,827 A * 2/1926 Wharton A42C 5/02
2/181.6

- 1,586,701 A * 6/1926 Reppa A42B 1/10
2/209.7
- 2,340,980 A * 2/1944 Ostolaza A42B 1/22
2/182.6
- 2,578,112 A * 12/1951 Vaughn B43K 23/00
224/181
- 3,211,160 A * 10/1965 Miller A45D 8/00
132/275
- 3,396,408 A * 8/1968 Enger A42B 1/22
2/183
- 3,685,055 A * 8/1972 Militello A42B 3/14
2/181.4
- 3,906,548 A * 9/1975 Kallis A42B 3/14
2/181.4
- 4,120,052 A * 10/1978 Butler A41D 13/0568
2/16

(Continued)

Primary Examiner — Paula Allen Greene

(74) *Attorney, Agent, or Firm* — Morgan, Lewis & Bockius LLP

(57) **CLAIM**

The ornamental design for a headset headband cover, as shown and described.

DESCRIPTION

FIG. 1 is a front perspective view of a headset headband cover showing our new design;
 FIG. 2 is a rear perspective view thereof;
 FIG. 3 is a front elevational view thereof;
 FIG. 4 is a rear elevational view thereof;
 FIG. 5 is a left-side elevational view thereof;
 FIG. 6 is a right-side elevational view thereof;
 FIG. 7 is a top plan view thereof; and,
 FIG. 8 is a bottom plan view thereof.

The broken lines immediately adjacent the shaded areas represent the bounds of the claimed design while all other broken lines are directed to environment and are for illustrative purposes only; the broken lines form no part of the claimed design.

1 Claim, 8 Drawing Sheets



(56)

References Cited

U.S. PATENT DOCUMENTS

4,317,238 A *	3/1982	Amin	A42B 1/208	2/12
4,665,566 A *	5/1987	Garrow	A61M 16/0666	128/201.22
4,675,919 A *	6/1987	Heine	A42B 3/14	2/181
4,678,205 A *	7/1987	Wold	B60R 22/00	280/808
4,741,574 A *	5/1988	Weightman	B60R 22/00	280/733
D304,779 S *	11/1989	Raphael	D2/639	
4,918,757 A *	4/1990	Janssen	H04R 25/02	2/171
D320,110 S *	9/1991	Hawkins	D2/639	
5,052,054 A *	10/1991	Birum	A42B 1/061	2/10
5,257,420 A *	11/1993	Byrne, Jr.	A61F 11/06	2/209
5,287,559 A *	2/1994	Christiansen	A42B 1/248	2/181
5,481,760 A *	1/1996	Wood, Jr.	A42B 1/061	2/181.4
5,519,892 A *	5/1996	Pizzacar	A42B 1/248	2/181
5,566,871 A *	10/1996	Weintraub	A45F 3/12	2/268
5,920,910 A *	7/1999	Calvo	A42C 5/02	2/181
D442,351 S *	5/2001	Moxey, Jr.	D2/639	
D463,857 S *	10/2002	Dix	D24/106	
6,467,095 B1 *	10/2002	Nunnery	A42B 3/10	2/181
6,584,984 B2 *	7/2003	Kelly	A45D 8/36	132/212
D479,327 S *	9/2003	Hansen	D24/128	
6,865,750 B2 *	3/2005	Nunnery	A42C 5/02	2/181
D518,756 S *	4/2006	Berke	D11/200	
D519,403 S *	4/2006	Berke	D11/200	
D562,727 S *	2/2008	Berke	D11/200	
D616,790 S *	6/2010	Mear	D11/200	
D633,471 S *	3/2011	Sugiyama	D14/205	
D666,992 S *	9/2012	Lee	D14/205	
D673,241 S *	12/2012	Choi	D23/207	
D719,929 S *	12/2014	Rye	D14/205	
D750,041 S *	2/2016	Birger	D14/205	
D784,627 S *	4/2017	Williams	D29/122	

* cited by examiner

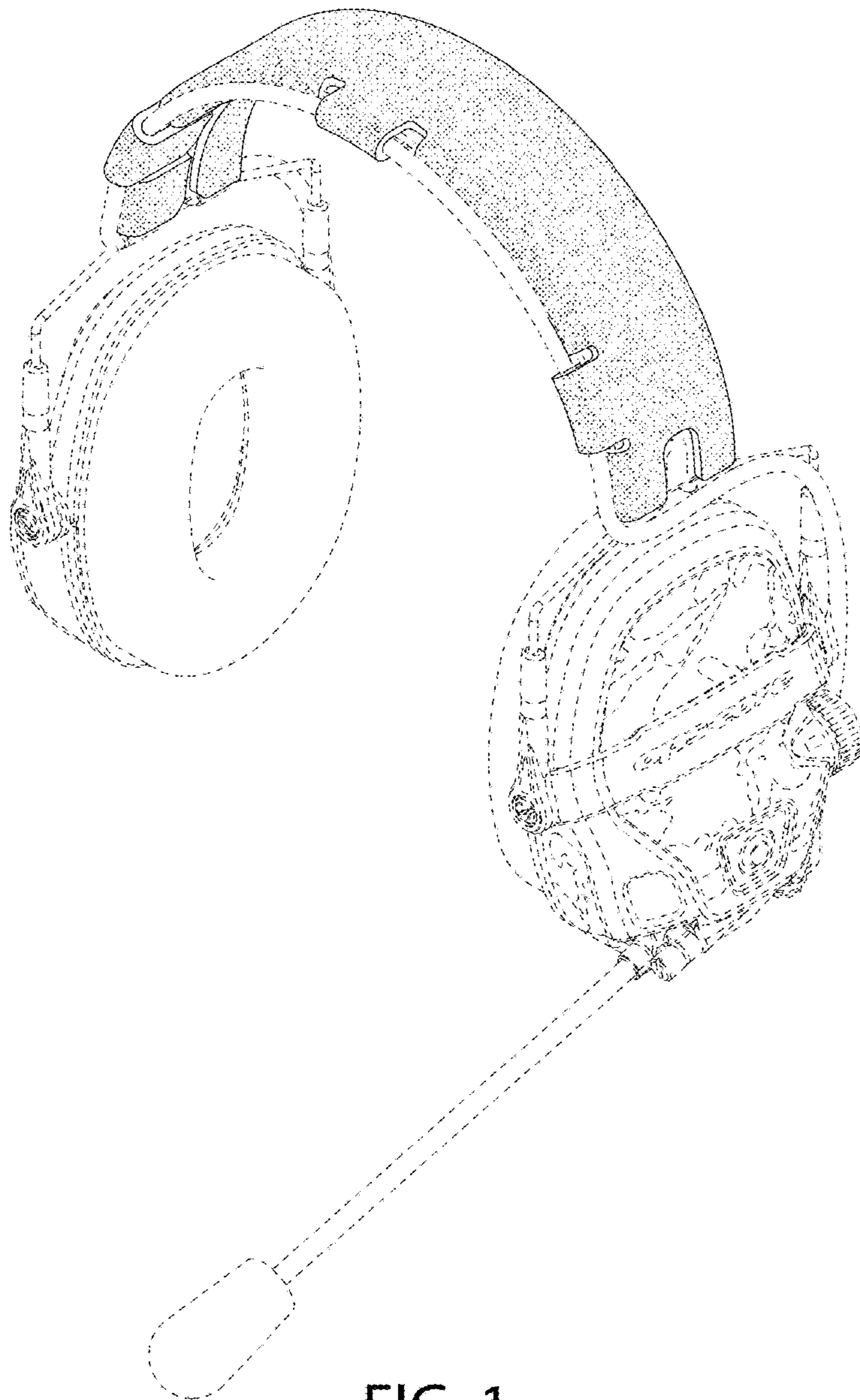


FIG. 1

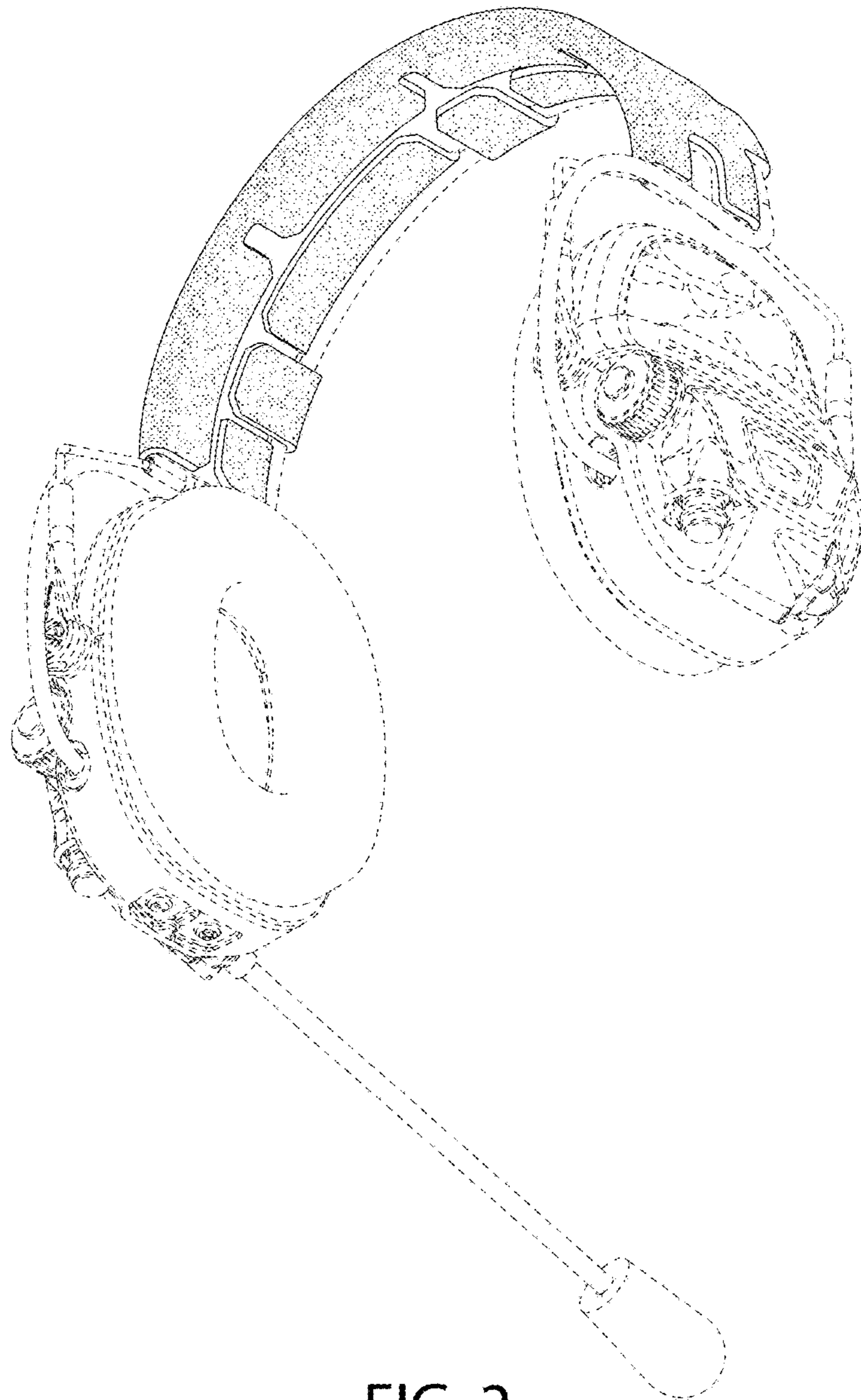


FIG. 2

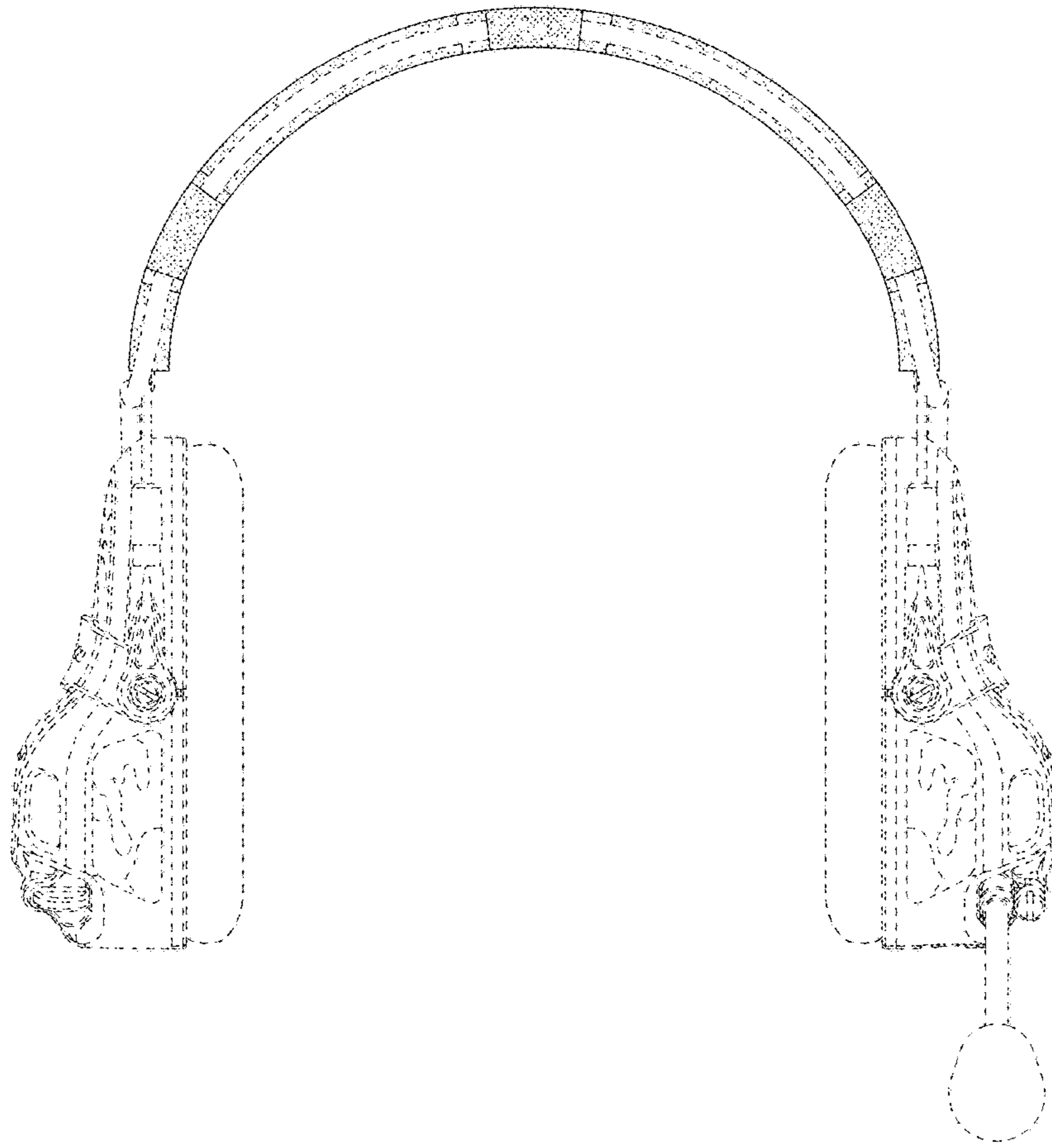


FIG. 3

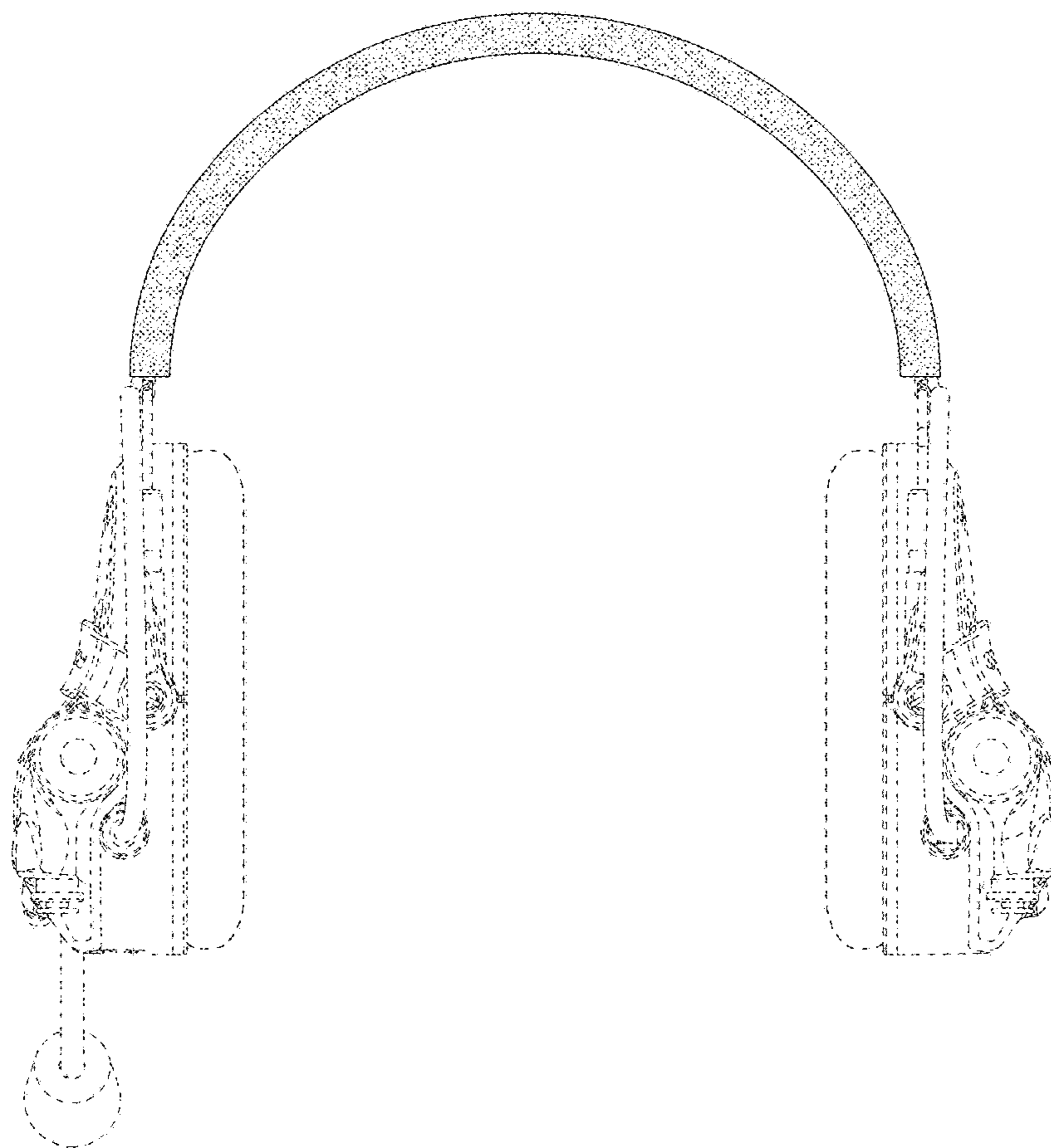


FIG. 4

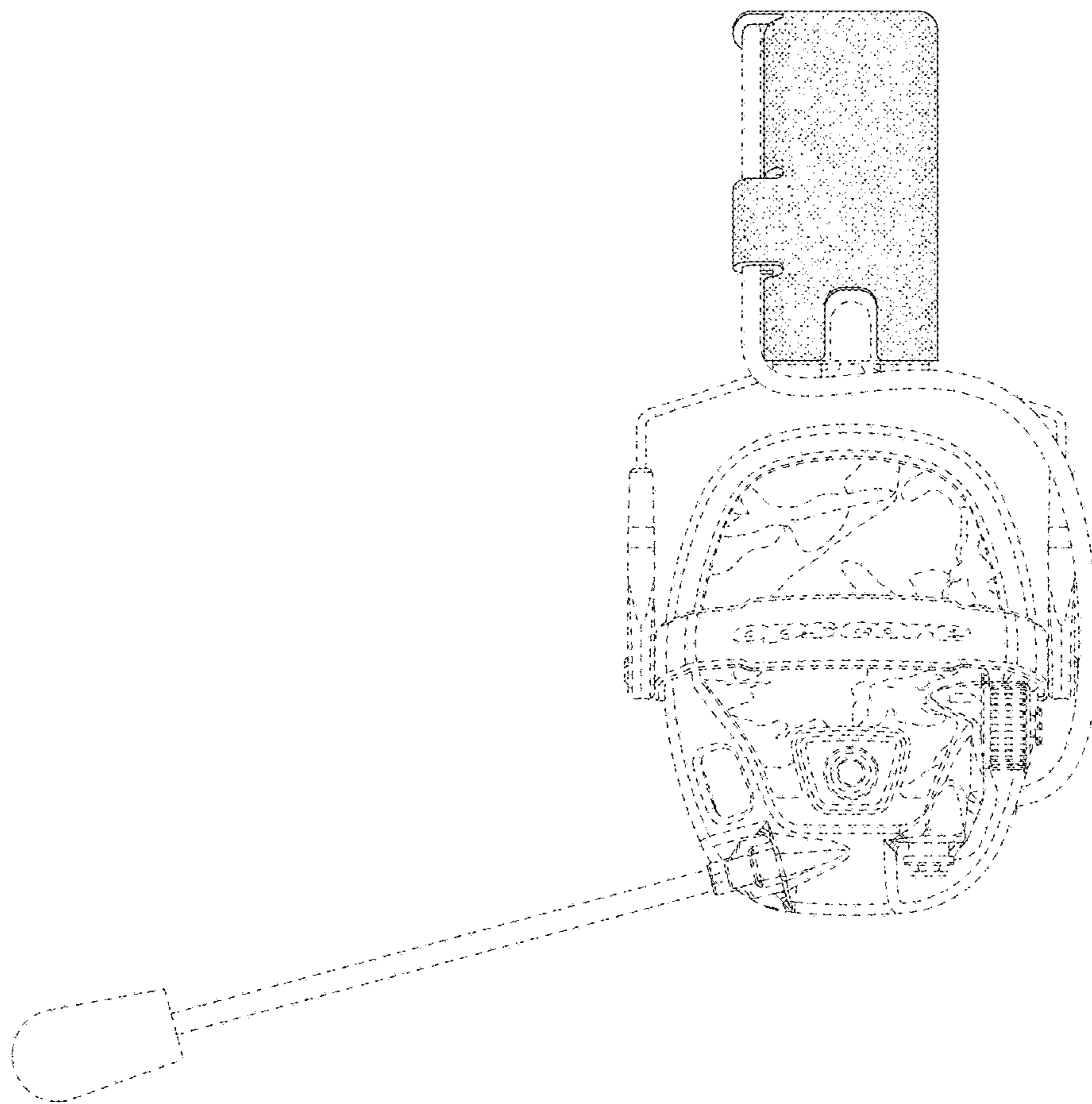


FIG. 5

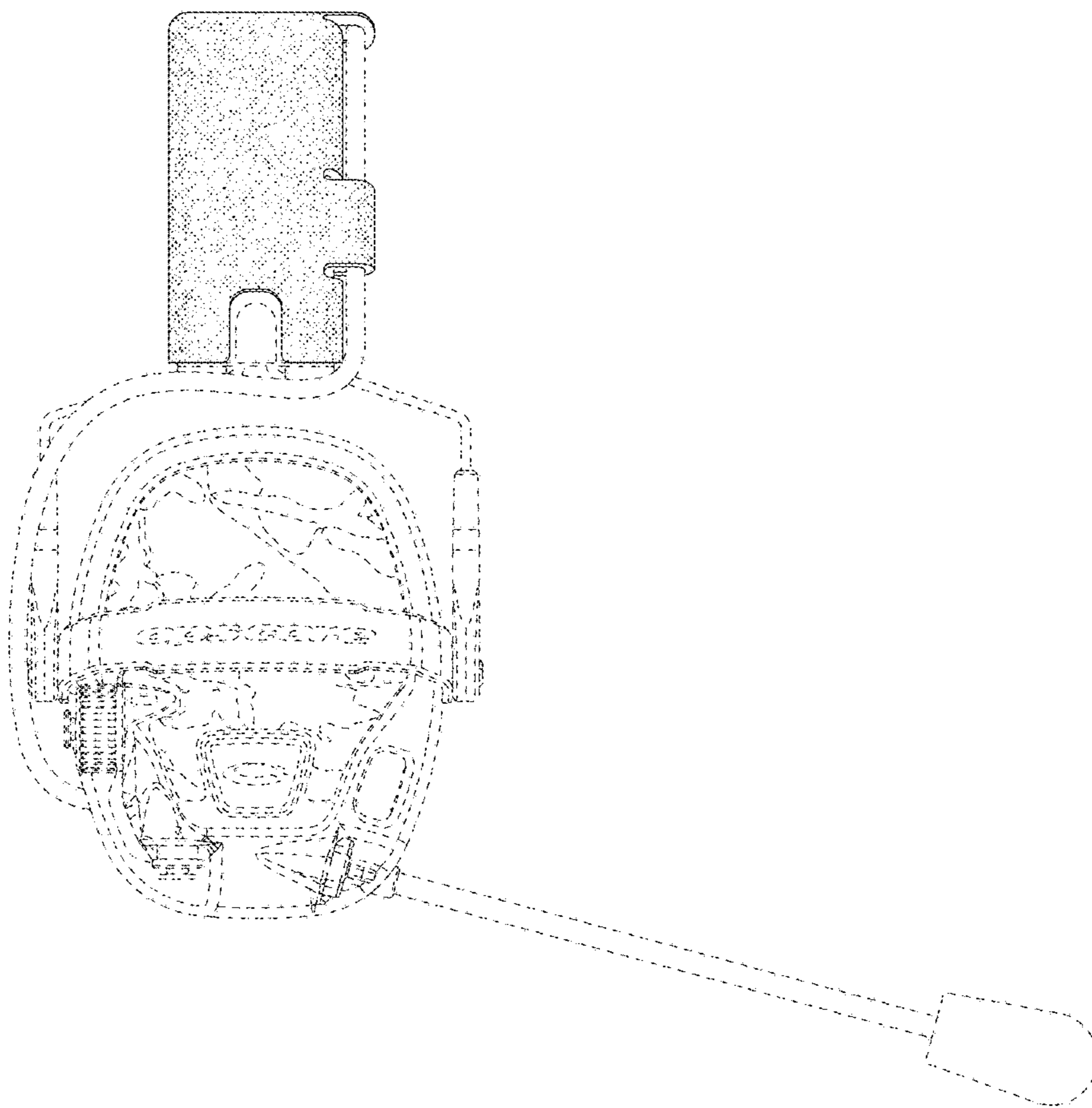


FIG. 6

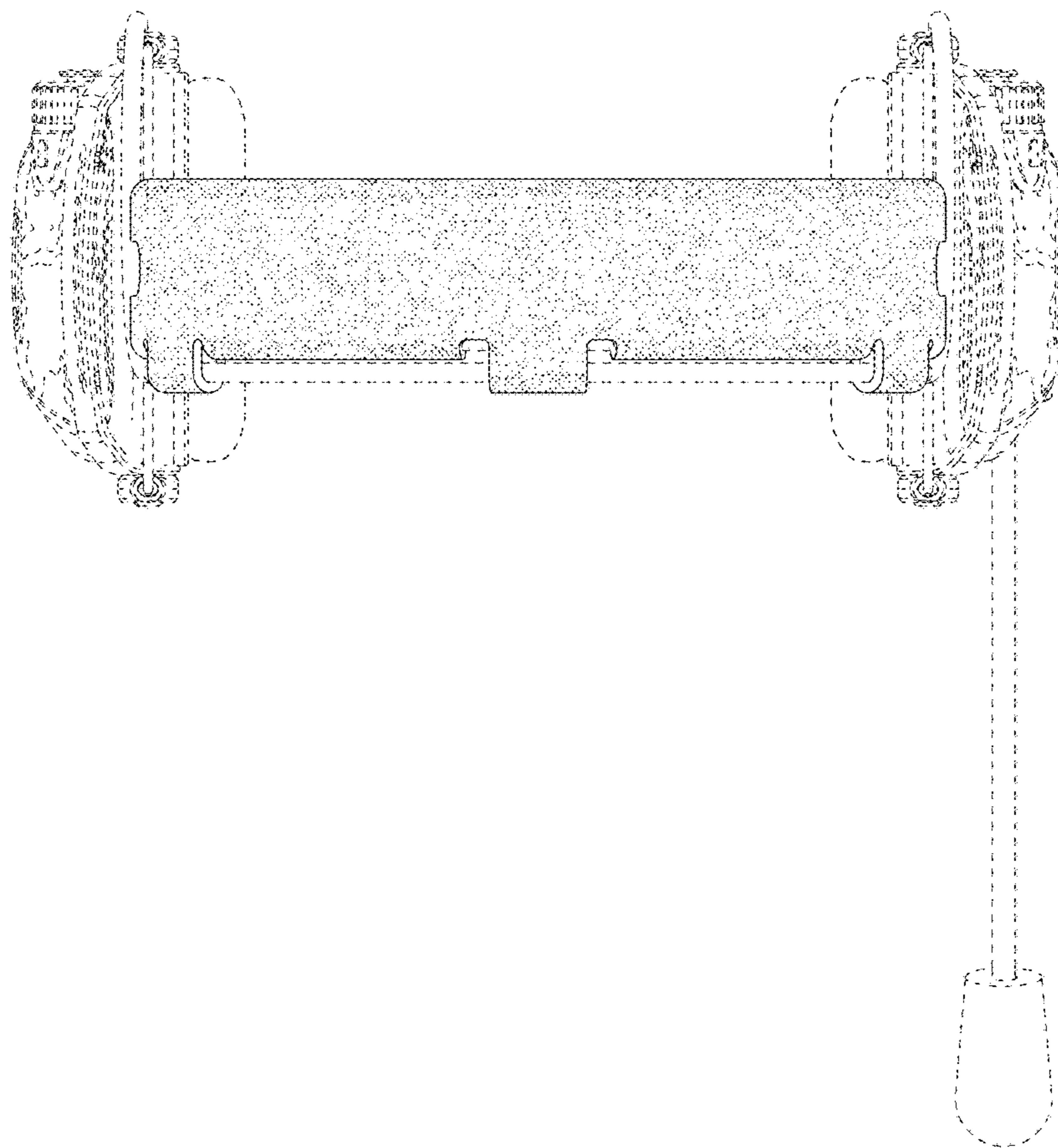


FIG. 7

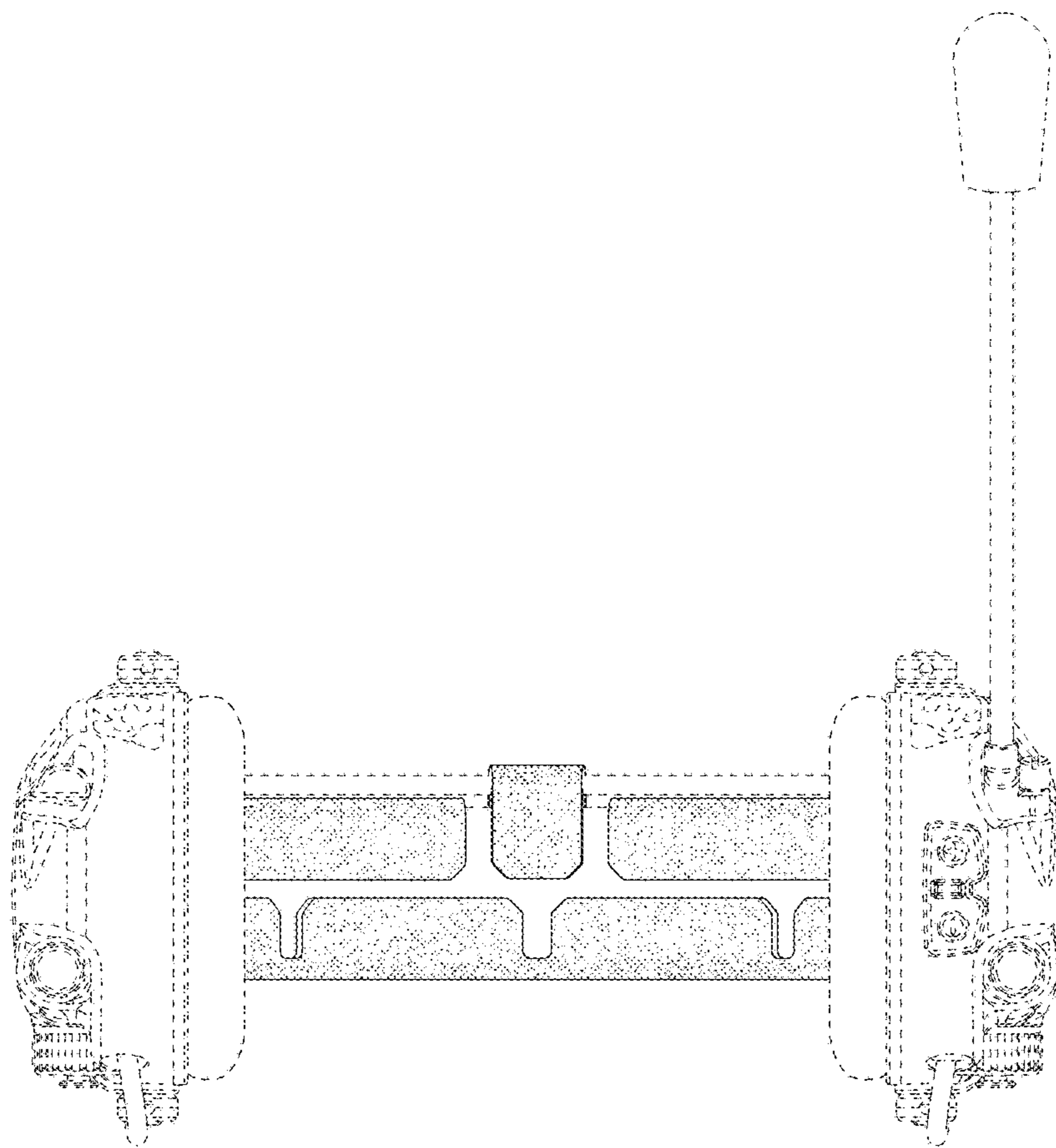


FIG. 8