



(12) **United States Design Patent**  
**Miller et al.**

(10) **Patent No.:** **US D864,900 S**  
(45) **Date of Patent:** **\*\* Oct. 29, 2019**

- (54) **SET OF HEADPHONES**
- (71) Applicant: **Bose Corporation**, Framingham, MA (US)
- (72) Inventors: **Joel H. Miller**, Westborough, MA (US);  
**Darius Darayes Mobed**, Watertown, MA (US)
- (73) Assignee: **Bose Corporation**, Framingham, MA (US)
- (\*\*) Term: **15 Years**
- (21) Appl. No.: **29/648,036**
- (22) Filed: **May 17, 2018**
- (51) **LOC (12) Cl.** ..... **14-01**
- (52) **U.S. Cl.**  
USPC ..... **D14/205**
- (58) **Field of Classification Search**  
USPC ..... D14/205, 223; D29/112; 2/209;  
181/129, 130, 135; 379/430, 431;  
381/380, 381, 374, 370; 455/90.3, 575.1,  
455/569.1  
CPC .... H04R 1/1066; H04R 1/1016; H04R 5/033;  
H04R 5/0335; H04R 25/00  
See application file for complete search history.

- (56) **References Cited**  
U.S. PATENT DOCUMENTS  
1,225,422 A \* 5/1917 Feher ..... A42B 1/068  
128/866  
D229,833 S \* 1/1974 Becker ..... D14/205  
3,943,574 A \* 3/1976 Yamaguchi ..... A61F 9/025  
2/9  
D246,242 S \* 11/1977 Bellini ..... D14/205  
4,133,053 A \* 1/1979 Lundin ..... H04R 1/1058  
2/209  
D313,092 S \* 12/1990 Nilsson ..... D14/205

- 5,068,923 A \* 12/1991 Sjoqvist ..... A61F 11/14  
181/129
- 5,185,807 A \* 2/1993 Bergin ..... H04R 1/1066  
181/128
- D375,825 S \* 11/1996 Whidden ..... D2/866
- 6,081,604 A \* 6/2000 Hikichi ..... H04R 1/083  
381/124
- 6,449,806 B1 \* 9/2002 Engelhard ..... H04M 1/05  
2/209
- 6,654,966 B2 \* 12/2003 Rolla ..... H04R 1/1066  
2/209
- 6,678,897 B2 \* 1/2004 Lindgren ..... A61F 11/14  
181/129
- D538,261 S \* 3/2007 Taylor ..... D14/205
- D541,255 S \* 4/2007 Taylor ..... D14/205
- D576,604 S \* 9/2008 Suzuki ..... D14/205
- D585,871 S \* 2/2009 Lee ..... D14/205
- D588,100 S \* 3/2009 Densho ..... D14/205
- D594,847 S \* 6/2009 Suzuki ..... D14/205
- D603,370 S \* 11/2009 Suzuki ..... D14/205
- D635,958 S \* 4/2011 Ando ..... D14/205
- D637,176 S \* 5/2011 Brunner ..... D14/205
- D641,725 S \* 7/2011 Chong ..... D14/205
- D657,345 S \* 4/2012 Brunner ..... H04R 1/1008  
D14/205

(Continued)

*Primary Examiner* — Paula Allen Greene

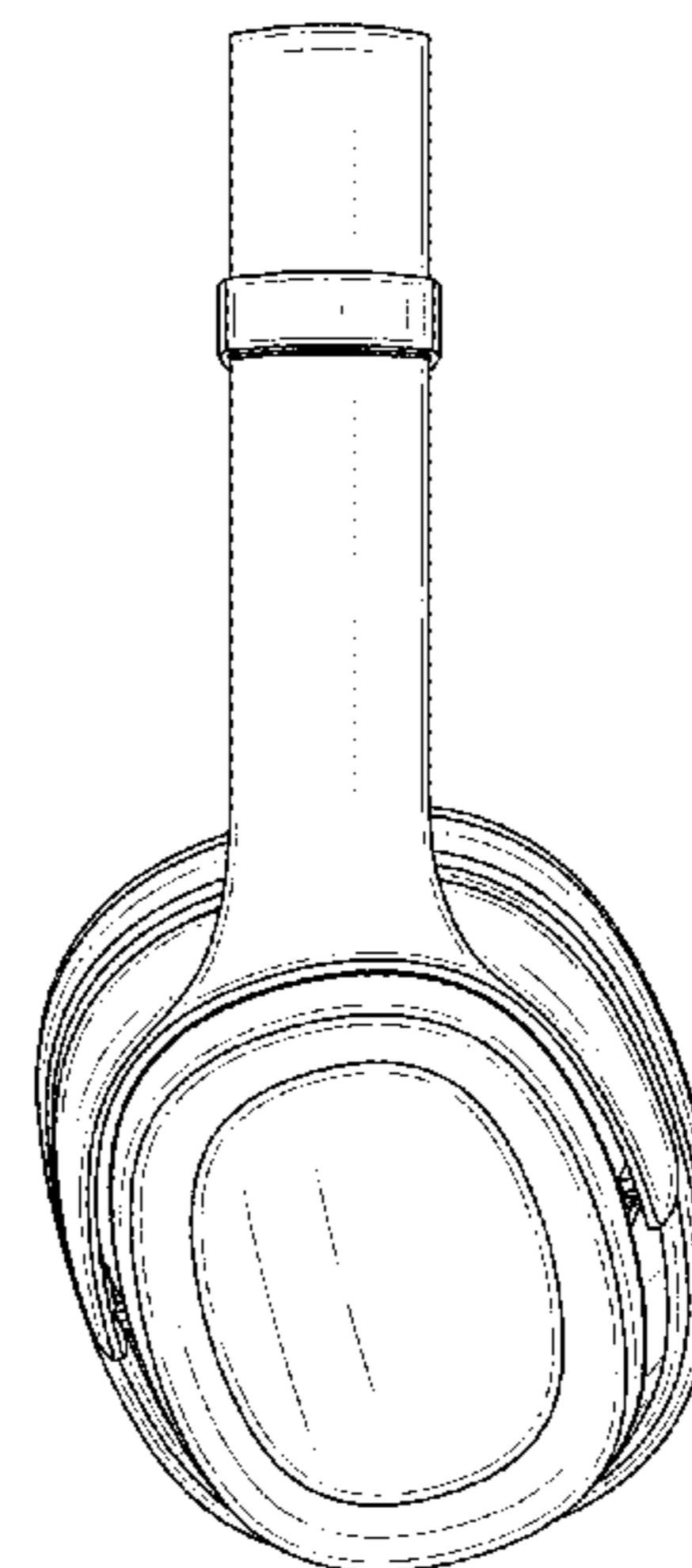
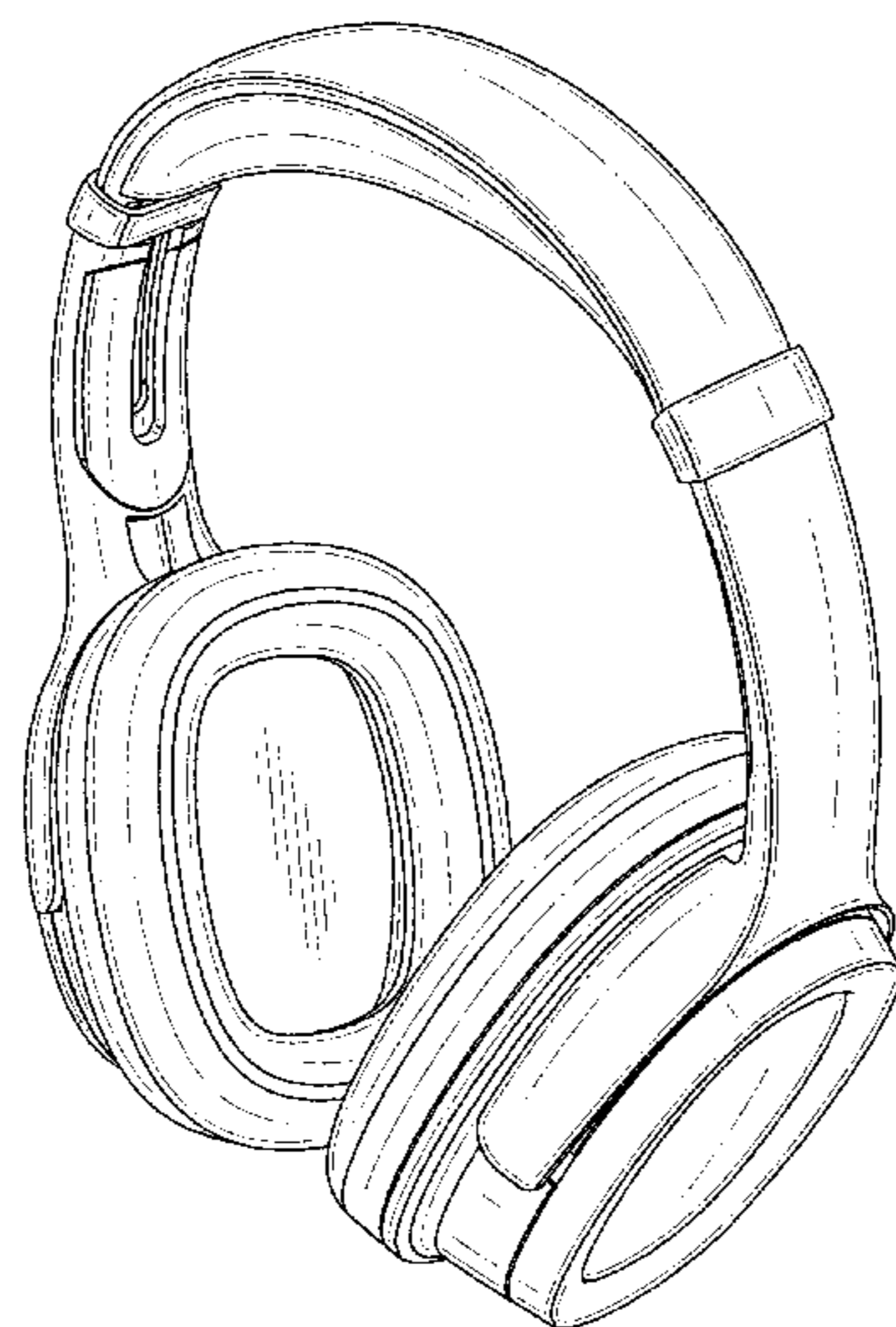
(57) **CLAIM**

The ornamental design for set of headphones, substantially as shown and described.

**DESCRIPTION**

FIG. 1 is a perspective view of a set of headphones as seen from the front and left side;  
FIG. 2 is a front view thereof;  
FIG. 3 is a left side view thereof;  
FIG. 4 is a back view thereof;  
FIG. 5 is a right side view thereof;  
FIG. 6 is a top view thereof; and,  
FIG. 7 is a bottom view thereof.

**1 Claim, 6 Drawing Sheets**



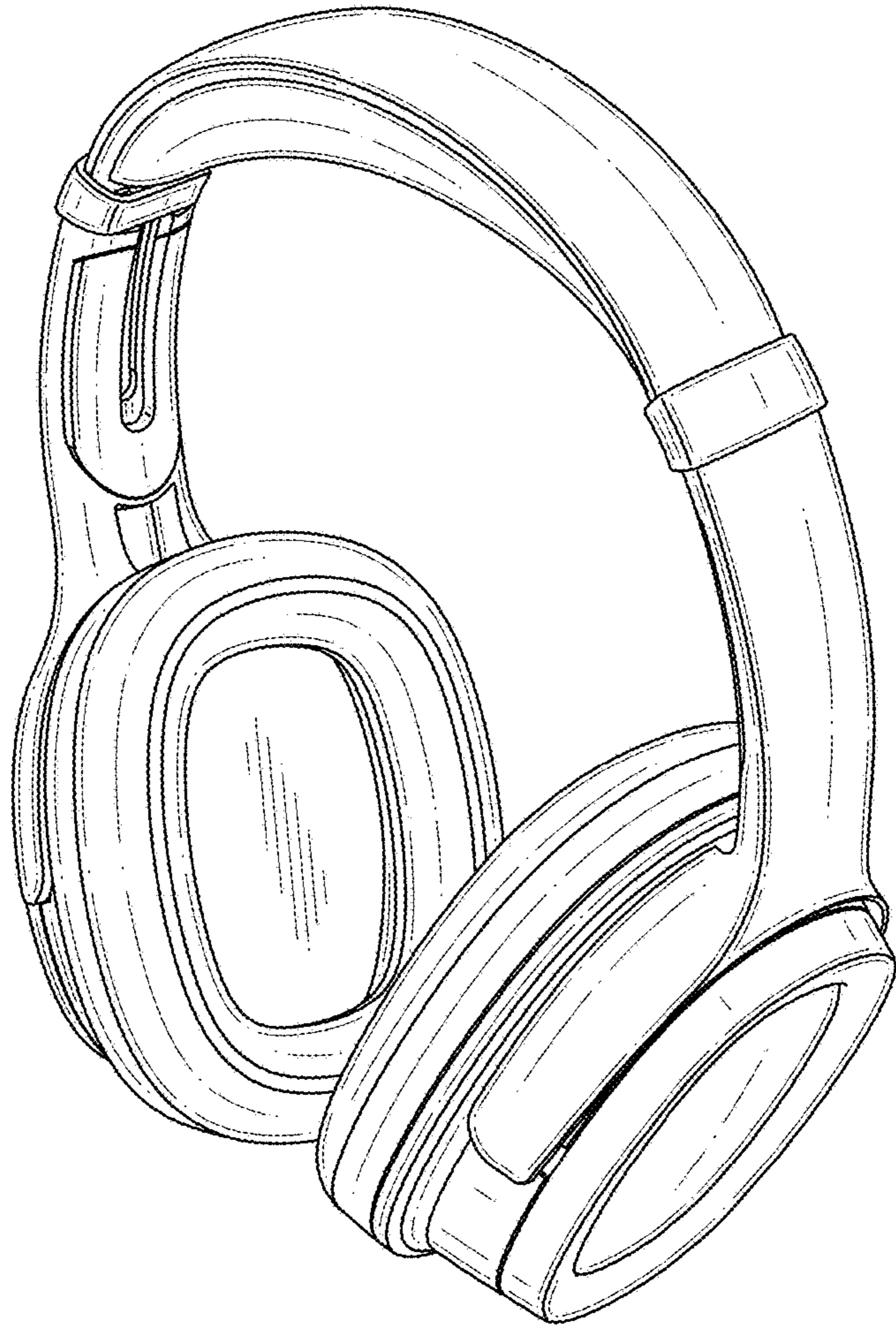
(56)

**References Cited**

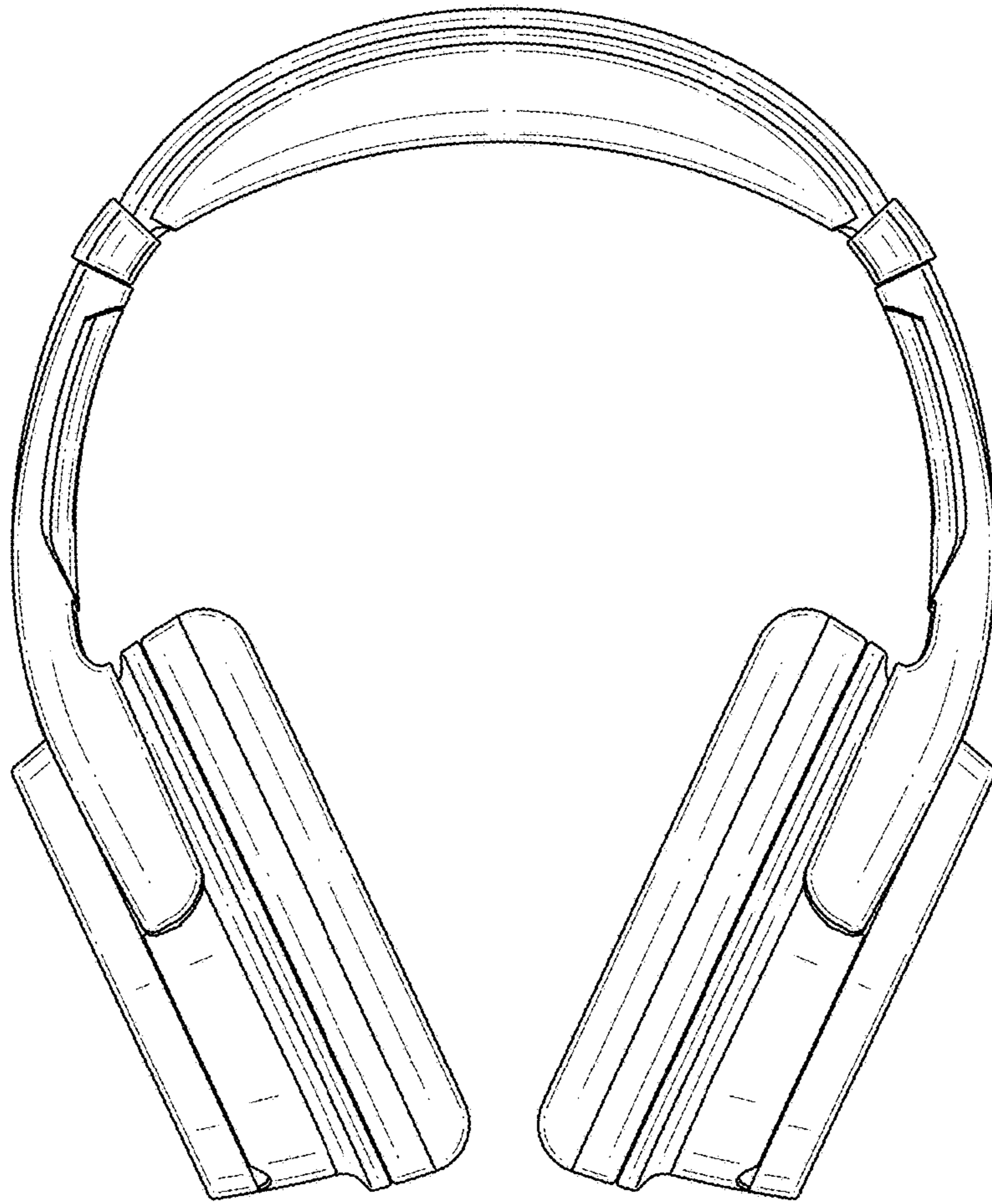
U.S. PATENT DOCUMENTS

8,325,962 B2 \* 12/2012 Ishida ..... H04R 5/0335  
 381/370  
 8,732,864 B2 \* 5/2014 Fountain ..... A61F 11/14  
 2/209  
 8,737,668 B1 \* 5/2014 Blair ..... H04R 1/1066  
 381/378  
 D707,200 S \* 6/2014 Yang ..... H04R 1/1066  
 D14/205  
 D708,163 S \* 7/2014 Ishikura ..... D14/205  
 8,767,996 B1 \* 7/2014 Lin ..... H04R 1/1091  
 381/380  
 D721,052 S \* 1/2015 Carr ..... D14/205  
 D724,560 S \* 3/2015 Galler ..... D14/205  
 D736,176 S \* 8/2015 Rapitsch ..... D14/205  
 D750,041 S \* 2/2016 Birger ..... D14/205  
 D761,761 S \* 7/2016 Ando ..... D14/205  
 D766,208 S \* 9/2016 Paterson ..... D14/205  
 D778,258 S \* 2/2017 Hsu ..... D14/205  
 D784,957 S \* 4/2017 Hsieh ..... D14/205  
 D787,469 S \* 5/2017 Djohar ..... D14/205  
 D787,470 S \* 5/2017 Kelly ..... D14/205  
 D796,477 S \* 9/2017 Minn ..... D14/205  
 D796,478 S \* 9/2017 Minn ..... D14/205  
 D800,691 S \* 10/2017 Ando ..... D14/205  
 D840,370 S \* 2/2019 Kelly ..... D14/205  
 2001/0017925 A1 \* 8/2001 Ceravolo ..... H04M 1/05  
 381/370  
 2010/0310093 A1 \* 12/2010 Semcken ..... H04R 1/1058  
 381/104  
 2013/0087404 A1 \* 4/2013 Peskar ..... G10K 11/168  
 181/129

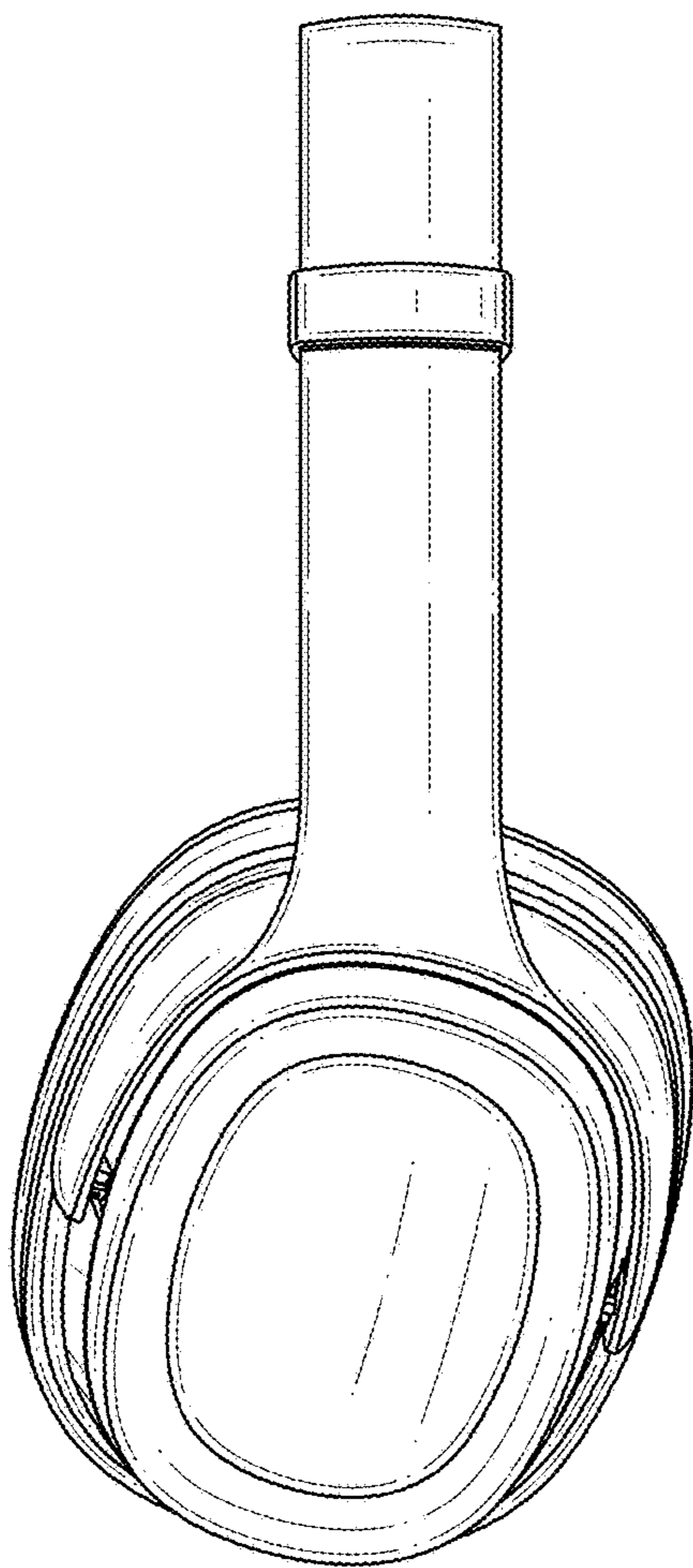
\* cited by examiner



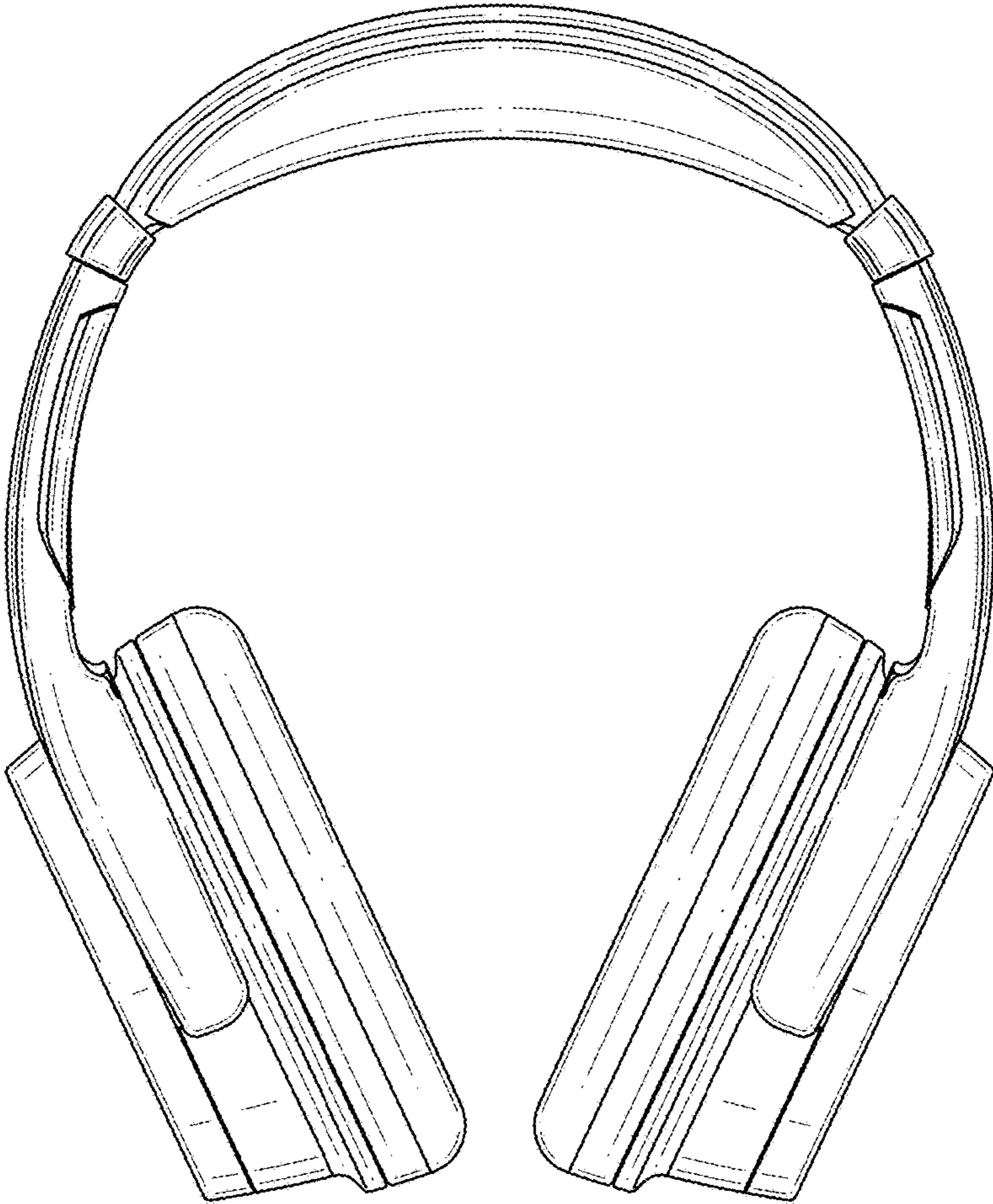
**FIG. 1**



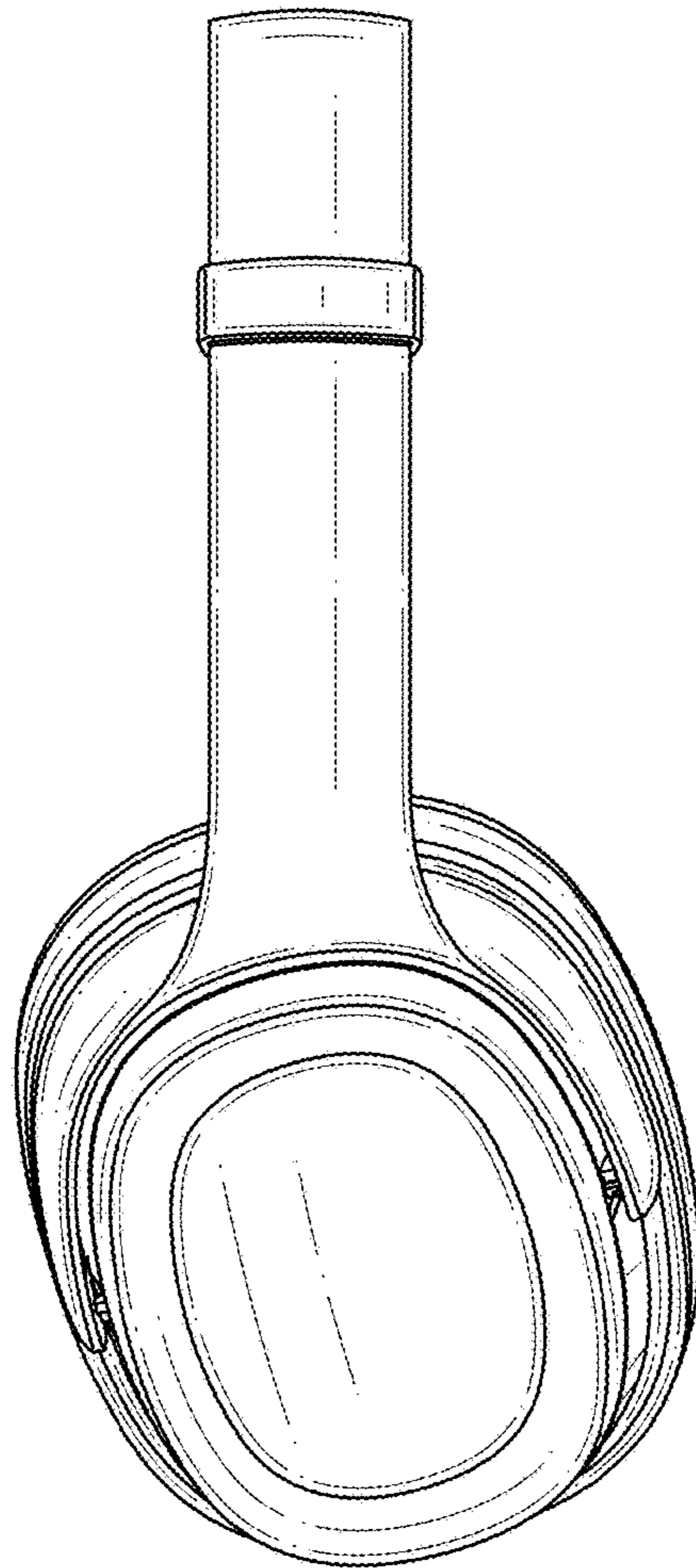
**FIG. 2**



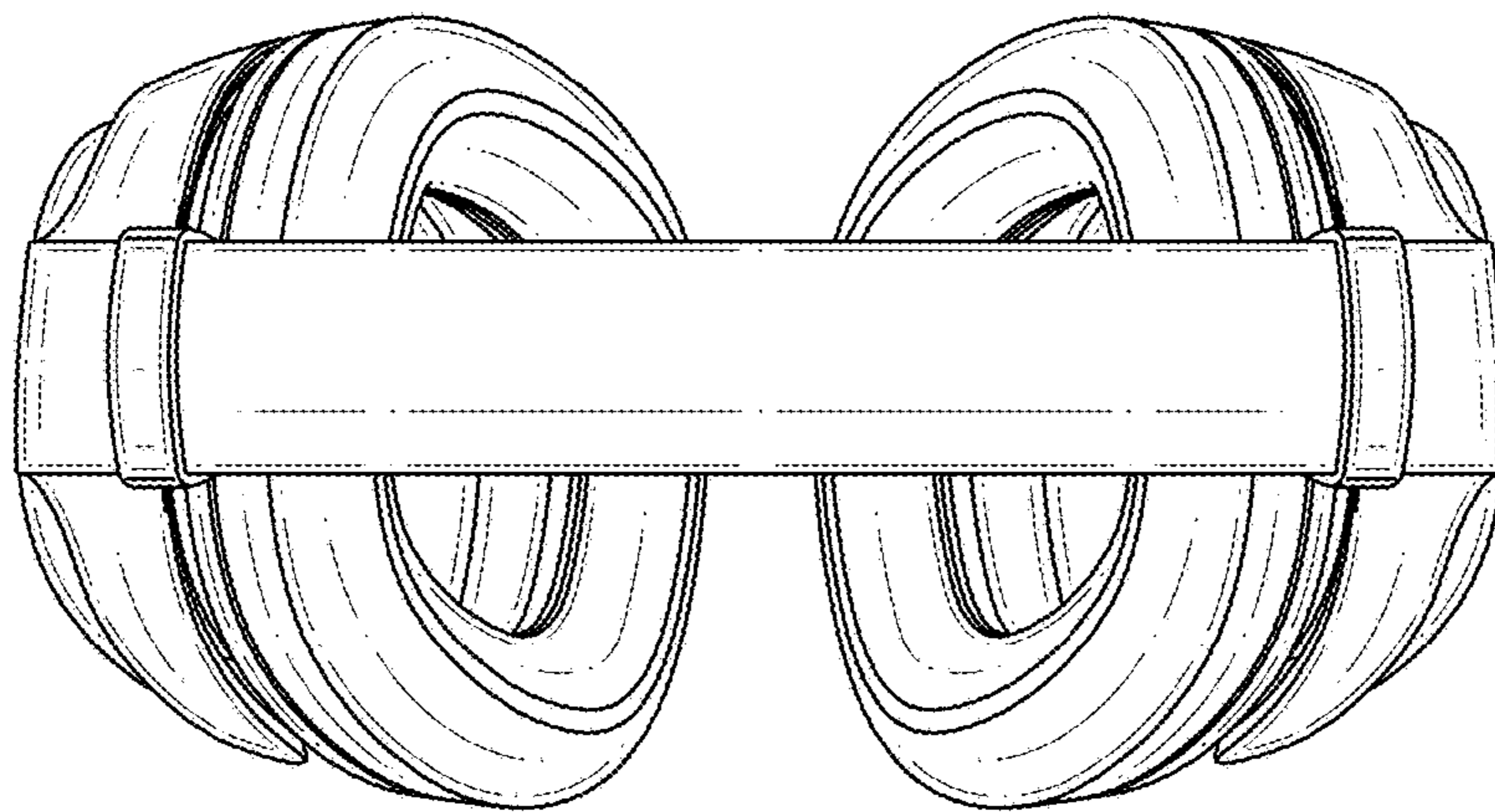
**FIG. 3**



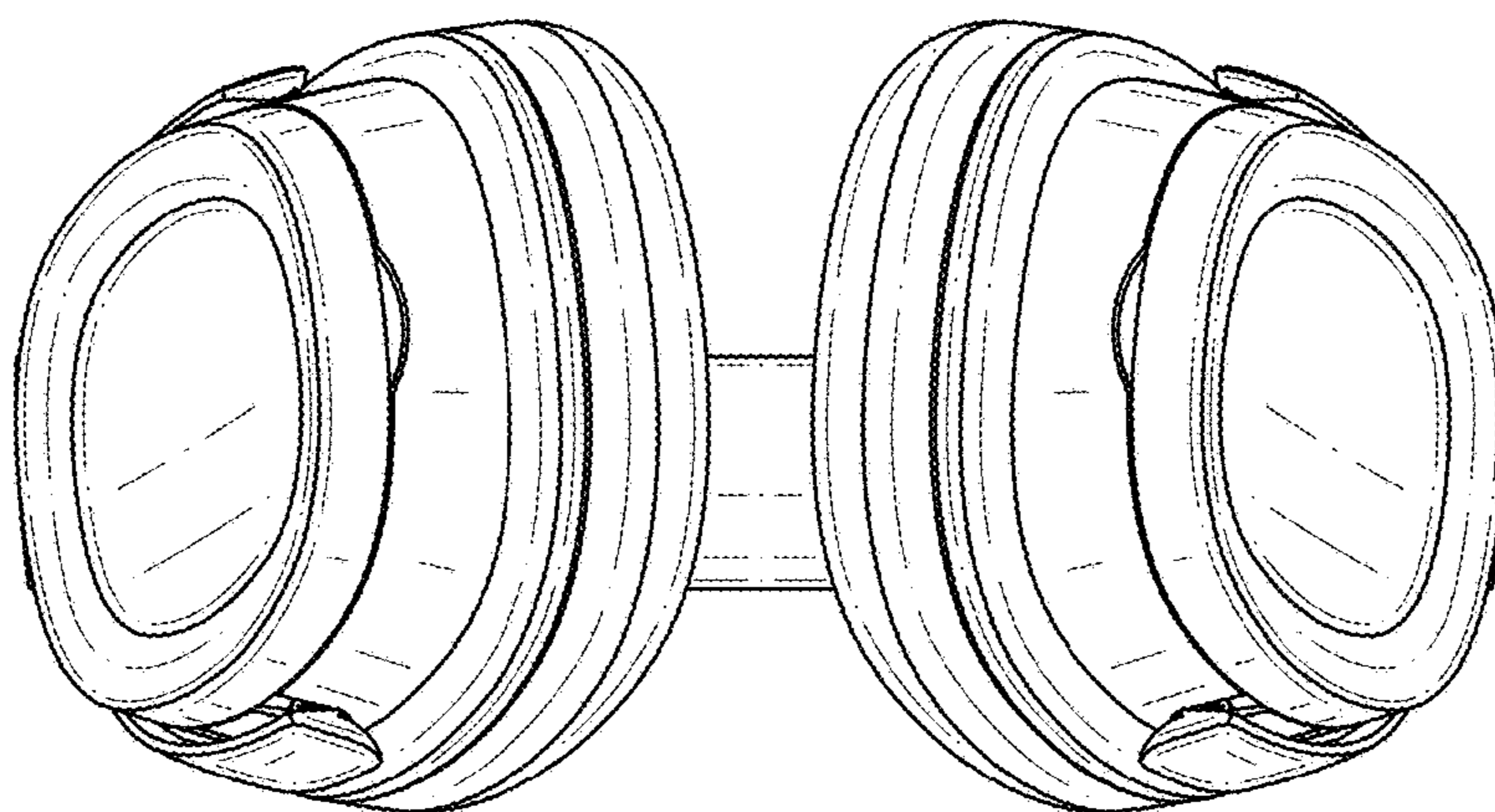
**FIG. 4**



**FIG. 5**



**FIG. 6**



**FIG. 7**