



US00D864899S

(12) **United States Design Patent**
He

(10) **Patent No.:** **US D864,899 S**

(45) **Date of Patent:** **** Oct. 29, 2019**

- (54) **HEADSET**
- (71) Applicant: **Yanan He**, Guangdong (CN)
- (72) Inventor: **Yanan He**, Guangdong (CN)
- (73) Assignee: **Techcool Industry Development Co., Ltd.**, Shenzhen, Guangdong (CN)
- (**) Term: **15 Years**
- (21) Appl. No.: **29/647,248**
- (22) Filed: **May 11, 2018**
- (51) **LOC (12) Cl.** **14-01**
- (52) **U.S. Cl.**
USPC **D14/205**
- (58) **Field of Classification Search**
USPC D14/205, 188, 192; D29/112; 2/209;
181/129, 130, 135; 379/430, 431;
381/380, 381, 370, 374, 74; 455/90.3,
455/575.1, 569.1
CPC H04R 1/1066; H04R 1/1016; H04R 25/00;
H04R 5/033; H04R 5/0335; H04R 1/105;
H04R 1/1058; H04R 1/1091
See application file for complete search history.

- 3,864,756 A * 2/1975 Desimone A42B 3/166
2/209
- D246,242 S * 11/1977 Bellini D14/205
- D255,352 S * 6/1980 Besasie D14/205
- D317,767 S * 6/1991 Banks D14/205
- D328,461 S * 8/1992 Daido D14/205
- D468,723 S * 1/2003 Pham D14/205
- 6,678,897 B2 * 1/2004 Lindgren A61F 11/14
181/129
- D557,684 S * 12/2007 Pundsack D14/205
- D582,890 S * 12/2008 Koza D14/205
- D592,182 S * 5/2009 Sanguinetti D14/205
- D603,371 S * 11/2009 Boateng D14/205
- D639,776 S * 6/2011 Arimoto D14/205
- D674,767 S * 1/2013 Brunner D14/205
- D684,559 S * 6/2013 Groset D14/205
- D695,263 S * 12/2013 Mogili D14/205
- 8,737,668 B1 * 5/2014 Blair H04R 1/1066
381/378
- D707,200 S * 6/2014 Yang H04R 1/1066
D14/205
- 8,861,770 B2 * 10/2014 Blair H04R 1/1058
381/378

(Continued)

Primary Examiner — Paula Allen Greene

(57) **CLAIM**

The ornamental design for a headset, as shown and described.

DESCRIPTION

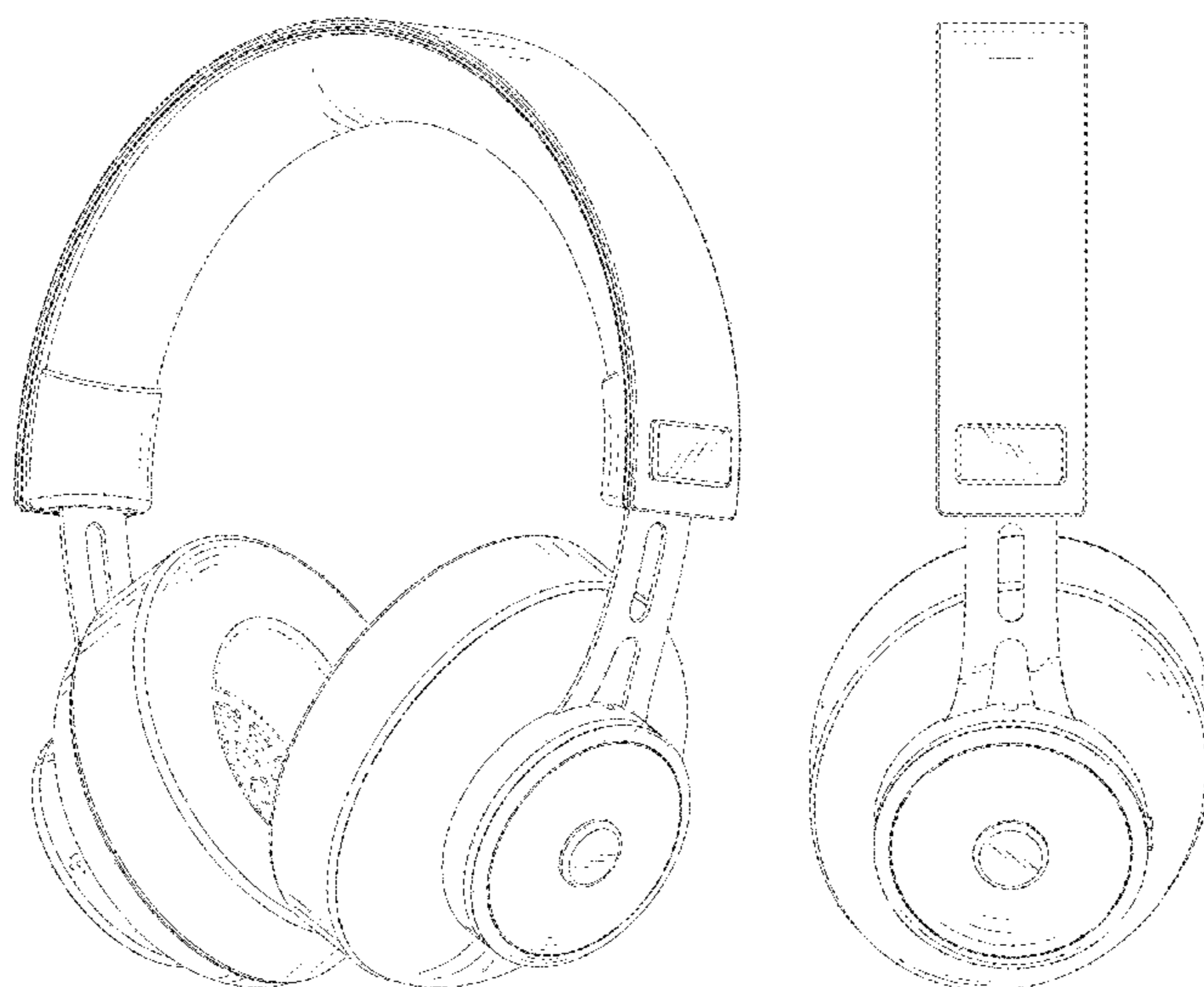
FIG. 1 is a perspective view of a headset showing my new design;
 FIG. 2 is a front elevation view thereof;
 FIG. 3 is a rear elevation view thereof;
 FIG. 4 is a left side elevation view thereof;
 FIG. 5 is a right side elevation view thereof;
 FIG. 6 is a top plan view thereof; and,
 FIG. 7 is a bottom plan view thereof.
 In the drawings, the broken lines illustrate portions of the article that form no part of the claimed design.

1 Claim, 7 Drawing Sheets

(56) **References Cited**

U.S. PATENT DOCUMENTS

- 1,560,718 A * 11/1925 Nowosielski H04R 1/1066
381/377
- 1,581,700 A * 4/1926 Summer H04R 1/10
181/135
- 3,440,663 A * 4/1969 Beguin A61F 11/14
2/209
- 3,505,684 A * 4/1970 Hutchinson A61F 11/14
2/209
- 3,637,040 A * 1/1972 Gorman A61F 11/14
181/129
- D229,833 S * 1/1974 Becker D14/205



(56)

References Cited

U.S. PATENT DOCUMENTS

D722,591	S *	2/2015	Son	D14/205
D724,560	S *	3/2015	Galler	D14/205
D736,176	S *	8/2015	Rapitsch	D14/205
D750,041	S *	2/2016	Birger	D14/205
D792,376	S *	7/2017	Morimoto	D14/205
9,736,563	B1 *	8/2017	Glass	H04R 1/1008
D796,474	S *	9/2017	Treski	D14/205
D810,718	S *	2/2018	Galler	D14/205
10,219,068	B2 *	2/2019	Cochran	H04R 1/1091
D842,270	S *	3/2019	Chen	D14/205
D843,345	S *	3/2019	Brunner	D14/205
D849,713	S *	5/2019	Hanggi	D14/205
2003/0210801	A1 *	11/2003	Naksen	H04R 1/1066 381/370

* cited by examiner



Fig.1



Fig.2



Fig.3

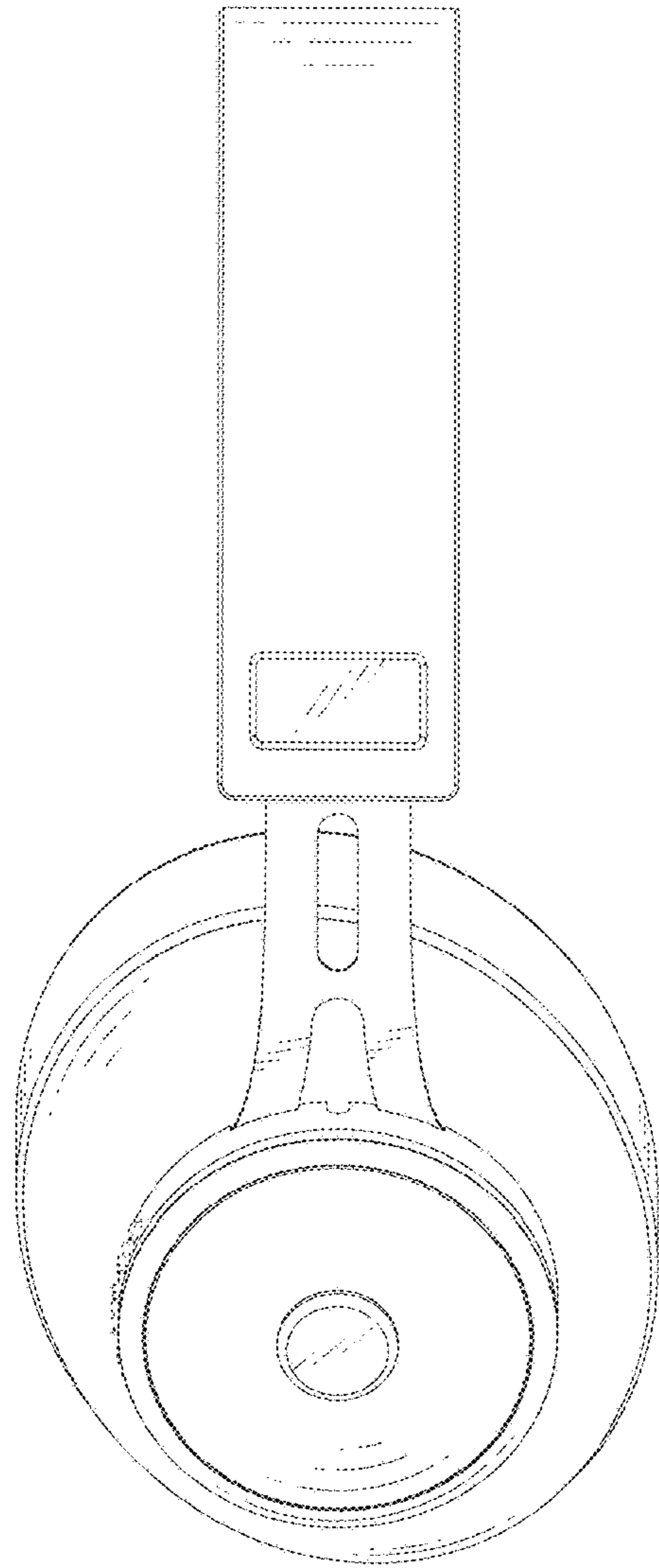


Fig.4

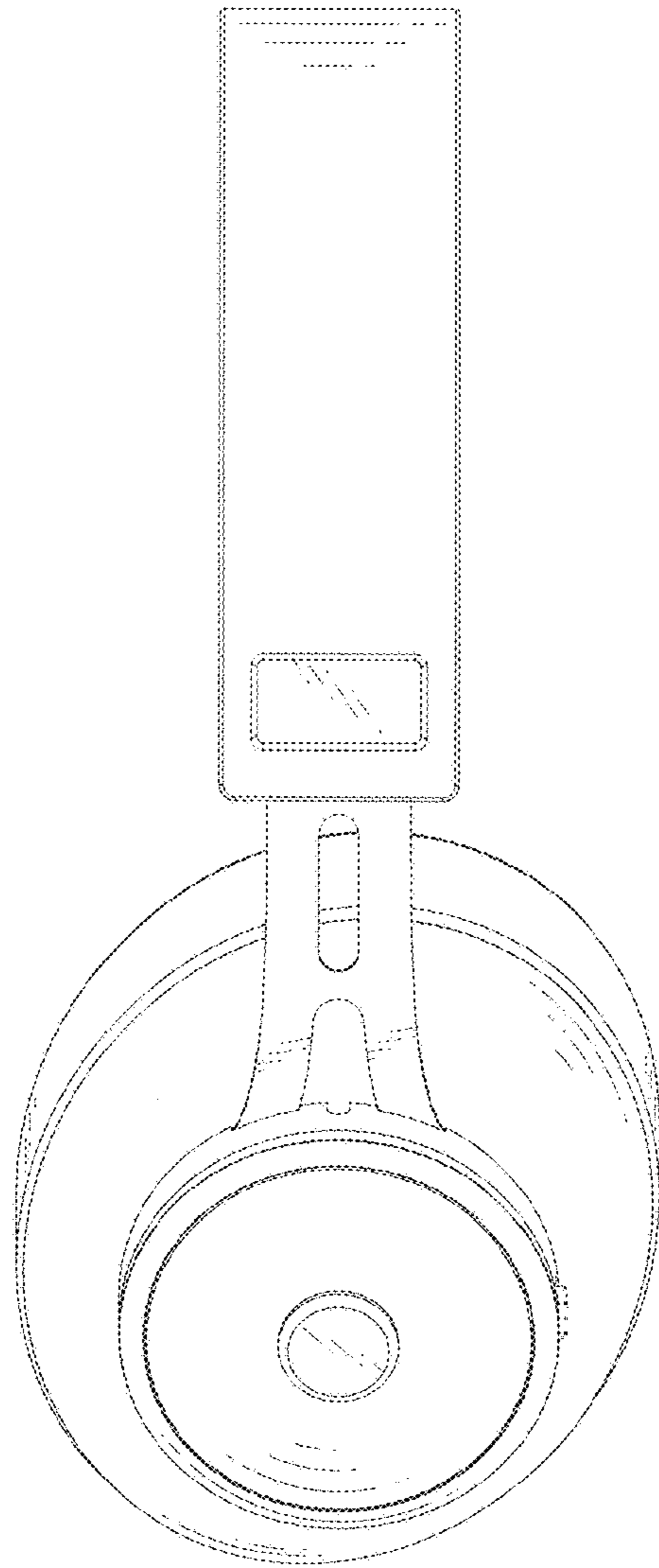


Fig.5

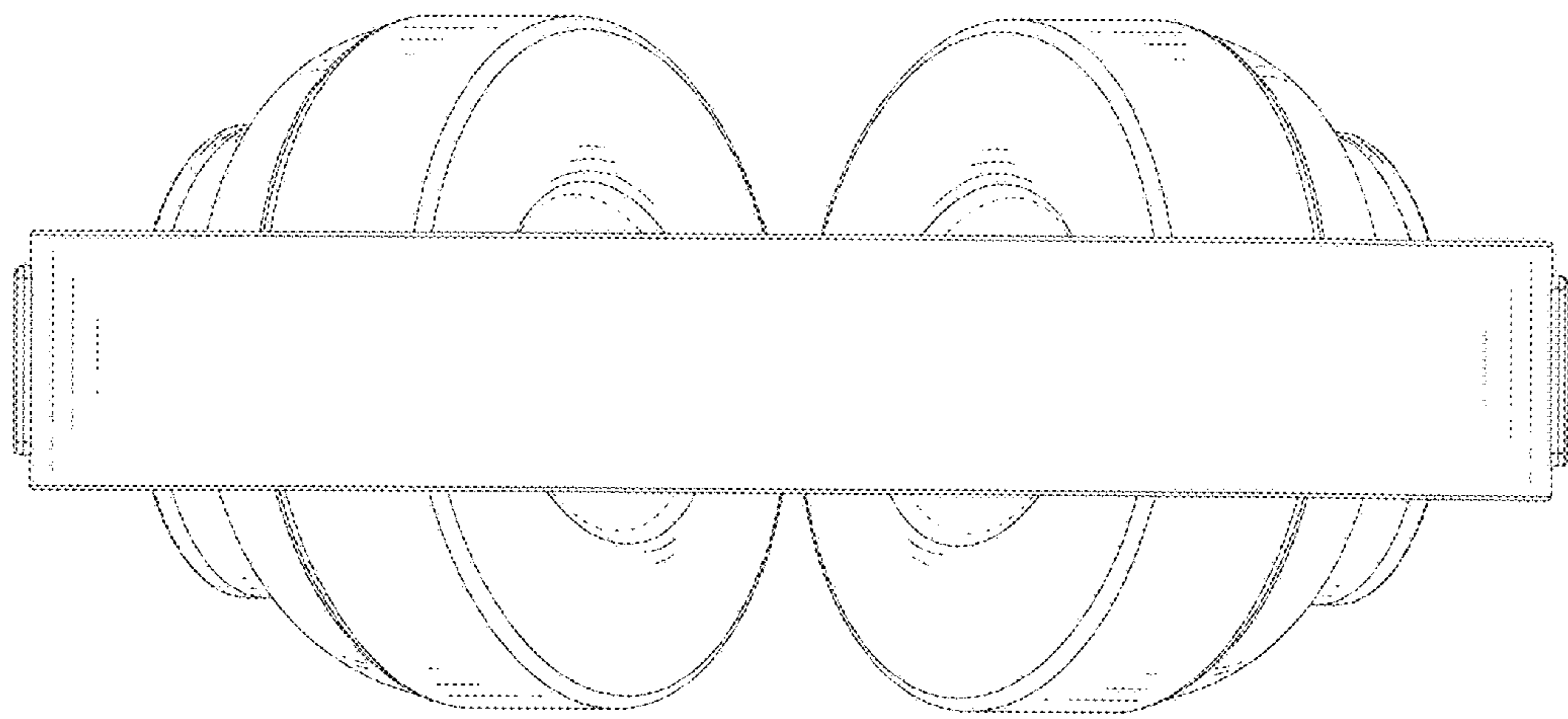


Fig.6

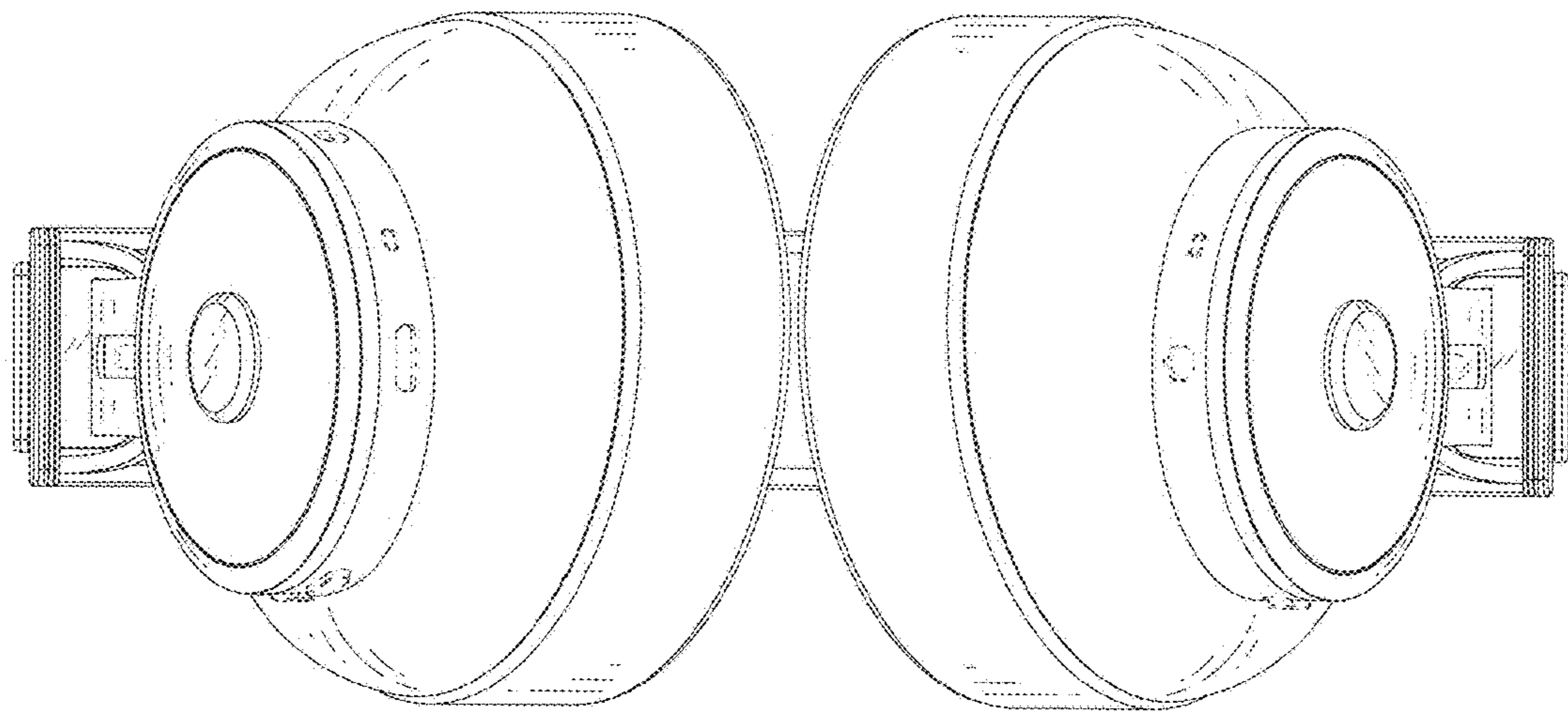


Fig. 7