



US00D864898S

(12) **United States Design Patent**
Chen

(10) **Patent No.:** **US D864,898 S**

(45) **Date of Patent:** **** Oct. 29, 2019**

- (54) **NOISE ISOLATING HEADPHONE**
- (71) Applicant: **Chudun Chen**, Shenzhen (CN)
- (72) Inventor: **Chudun Chen**, Shenzhen (CN)
- (**) Term: **15 Years**
- (21) Appl. No.: **29/644,456**
- (22) Filed: **Apr. 18, 2018**
- (51) **LOC (12) Cl.** **14-01**
- (52) **U.S. Cl.**
USPC **D14/205**
- (58) **Field of Classification Search**
USPC D14/205, 188, 192; D29/112; 2/209;
181/129, 130, 135, 128; 379/430, 431;
381/380, 381, 374, 74; 455/90.3, 575.1,
455/569.1
CPC H04R 1/1066; H04R 1/1016; H04R 25/00;
H04R 1/10; H04R 5/033; H04R 5/0335
See application file for complete search history.

(56) **References Cited**

U.S. PATENT DOCUMENTS

- 2,924,672 A * 2/1960 Cagen H04R 1/1066
2/209
- 3,104,398 A * 9/1963 Palmaer A61F 11/14
2/209
- 3,119,904 A * 1/1964 Anson H04M 1/05
15/244.1
- 3,440,663 A * 4/1969 Beguin A61F 11/14
2/209
- D228,352 S * 9/1973 Itagaki D14/205
- D229,833 S * 1/1974 Becker D14/205
- D286,632 S * 11/1986 Teunis D14/205
- D287,008 S * 12/1986 Tragatschnig D14/223
- 4,759,058 A * 7/1988 Sutton H04M 1/05
379/430
- D316,414 S * 4/1991 Fratantonio D14/205

- 5,185,807 A * 2/1993 Bergin H04R 1/1066
181/128
- 5,384,857 A * 1/1995 Nordin A61F 11/14
381/374
- D571,354 S * 6/2008 Ng D14/205
- D673,929 S * 1/2013 Combs D14/205
- D684,559 S * 6/2013 Groset D14/205
- D686,593 S * 7/2013 Larsen D14/205
- D688,649 S * 8/2013 Combs D14/205
- D698,749 S * 2/2014 Brunner D14/206
- D706,242 S * 6/2014 Yang H04R 1/1066
D14/205
- D758,991 S * 6/2016 Petersen D14/205
- 9,380,376 B2 * 6/2016 Uggla H04R 5/0335
- D810,718 S * 2/2018 Galler D14/205
- D811,362 S * 2/2018 Petersen D14/205
- D812,035 S * 3/2018 Petersen D14/205
- D832,813 S * 11/2018 Levine D14/205
- 2014/0177884 A1 * 6/2014 Minarik H04R 1/1066
381/309

* cited by examiner

Primary Examiner — Paula Allen Greene

(57) **CLAIM**

The ornamental design for a noise isolating headphone, as shown and described.

DESCRIPTION

FIG. 1 is a front elevational view of a noise isolating headphone showing my new design; FIG. 2 is a rear elevational view thereof; FIG. 3 is a left side elevational view thereof; FIG. 4 is a right side elevational view thereof; FIG. 5 is a top plan view thereof; FIG. 6 is a bottom plan view thereof; FIG. 7 is a perspective view thereof; and, FIG. 8 is another perspective view thereof. The broken lines depict environment that forms no part of the claimed design.

1 Claim, 8 Drawing Sheets

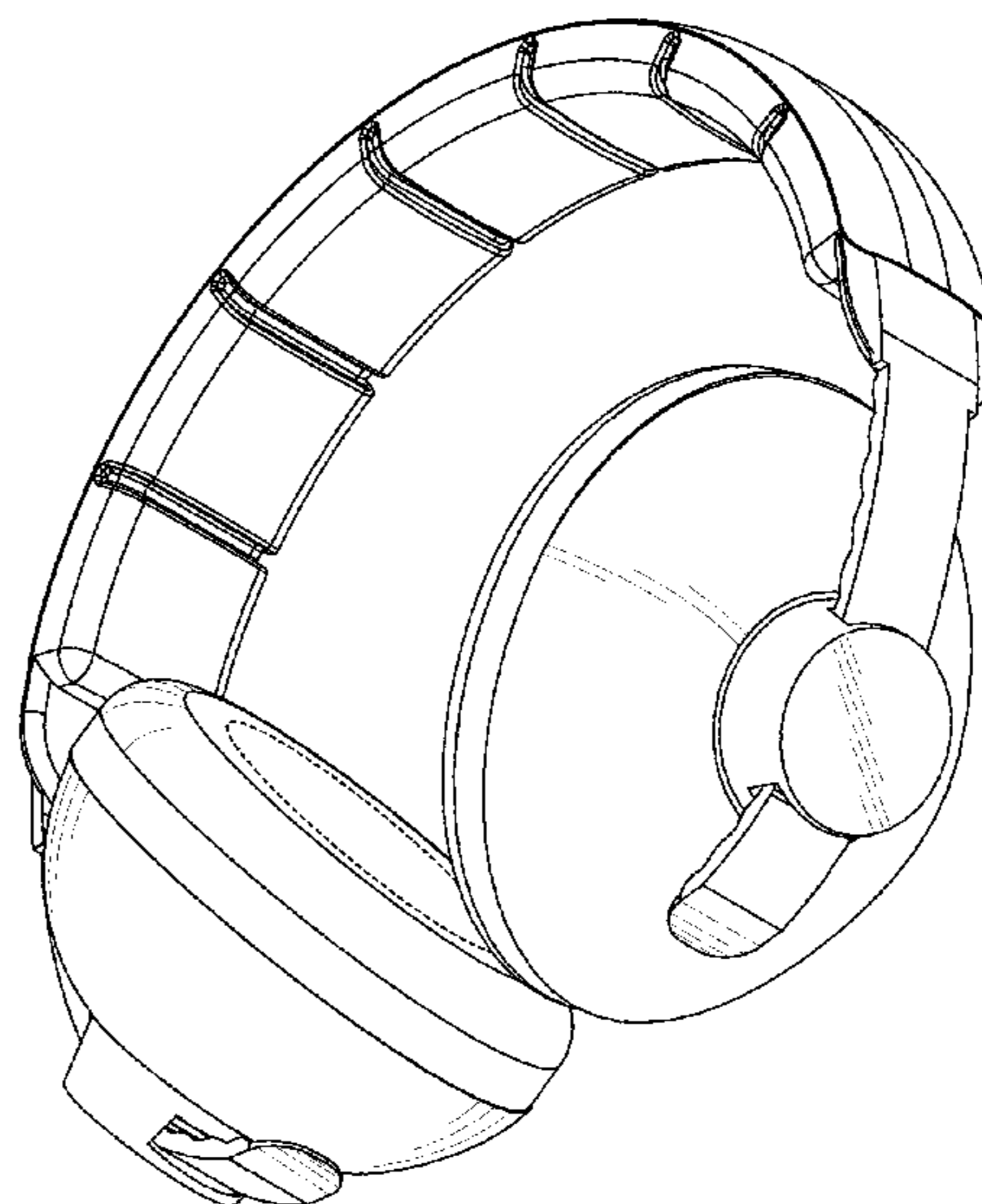
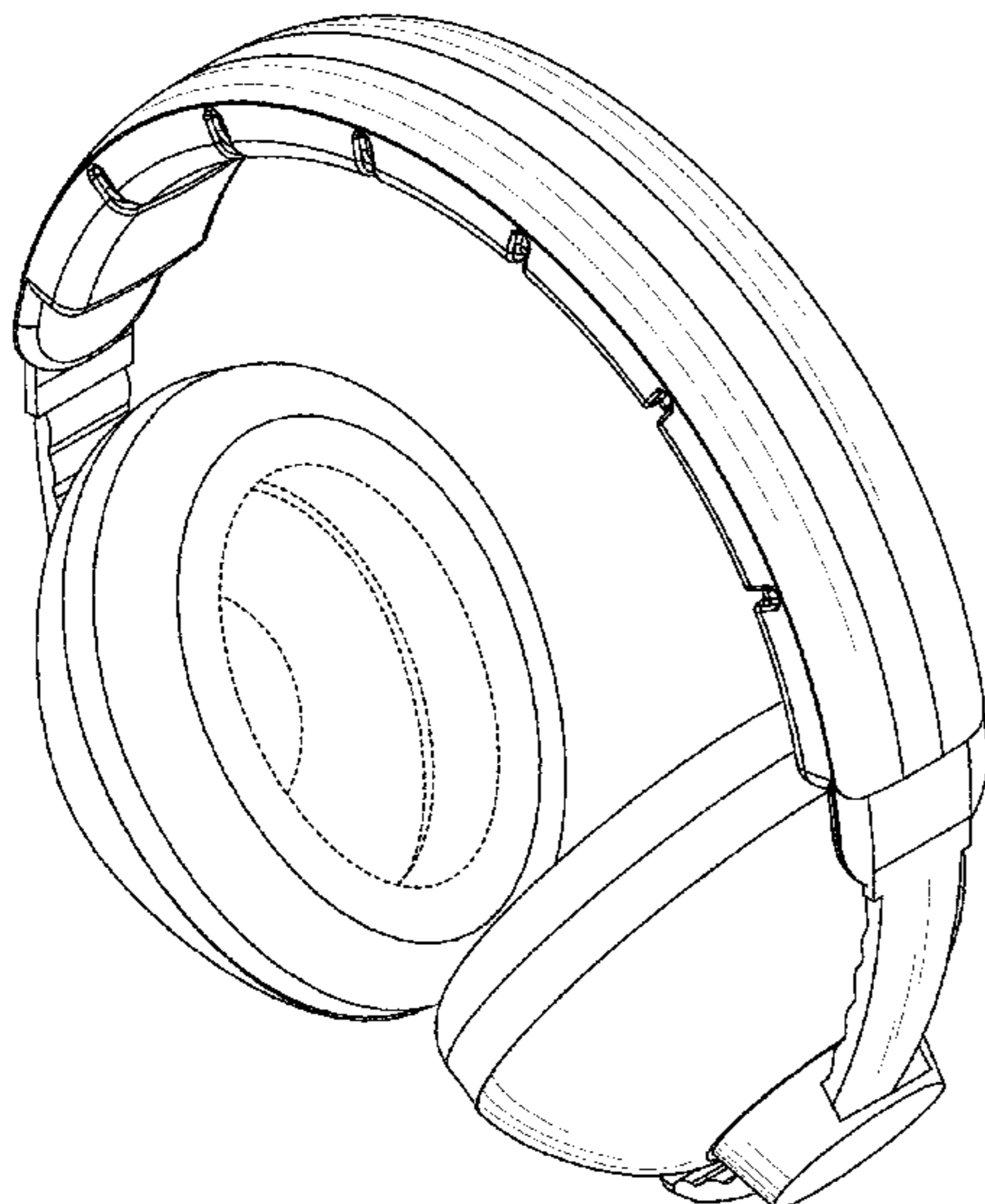




FIG. 1



FIG.2

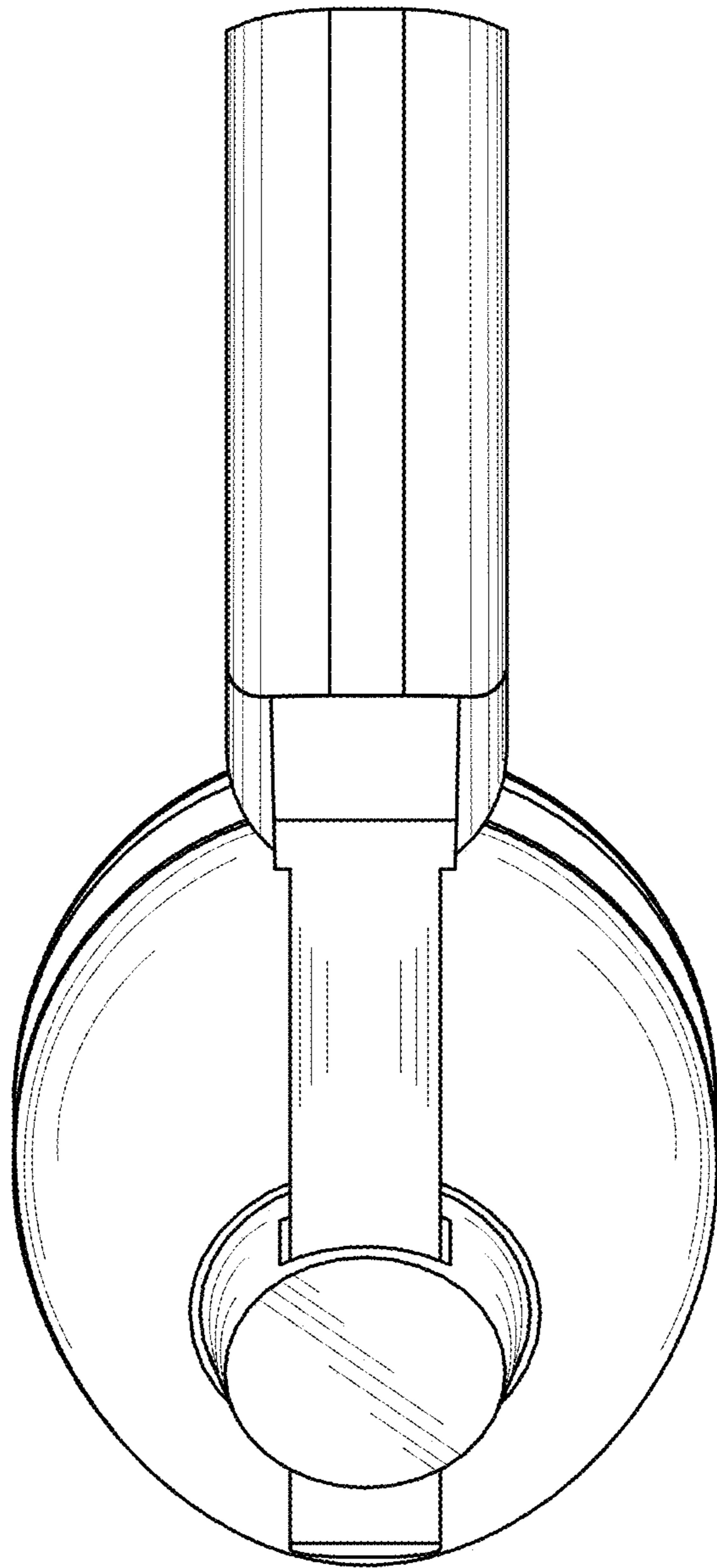


FIG.3

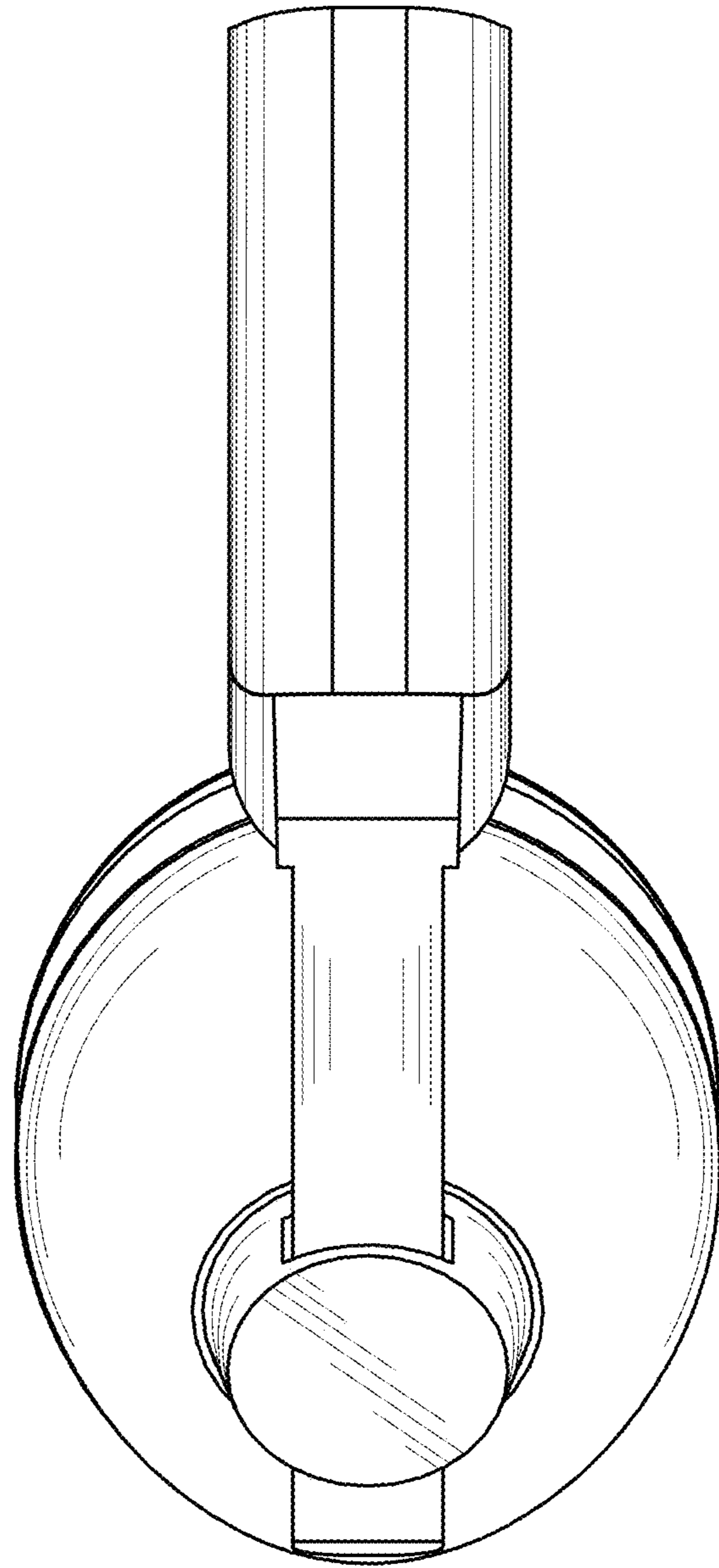


FIG.4

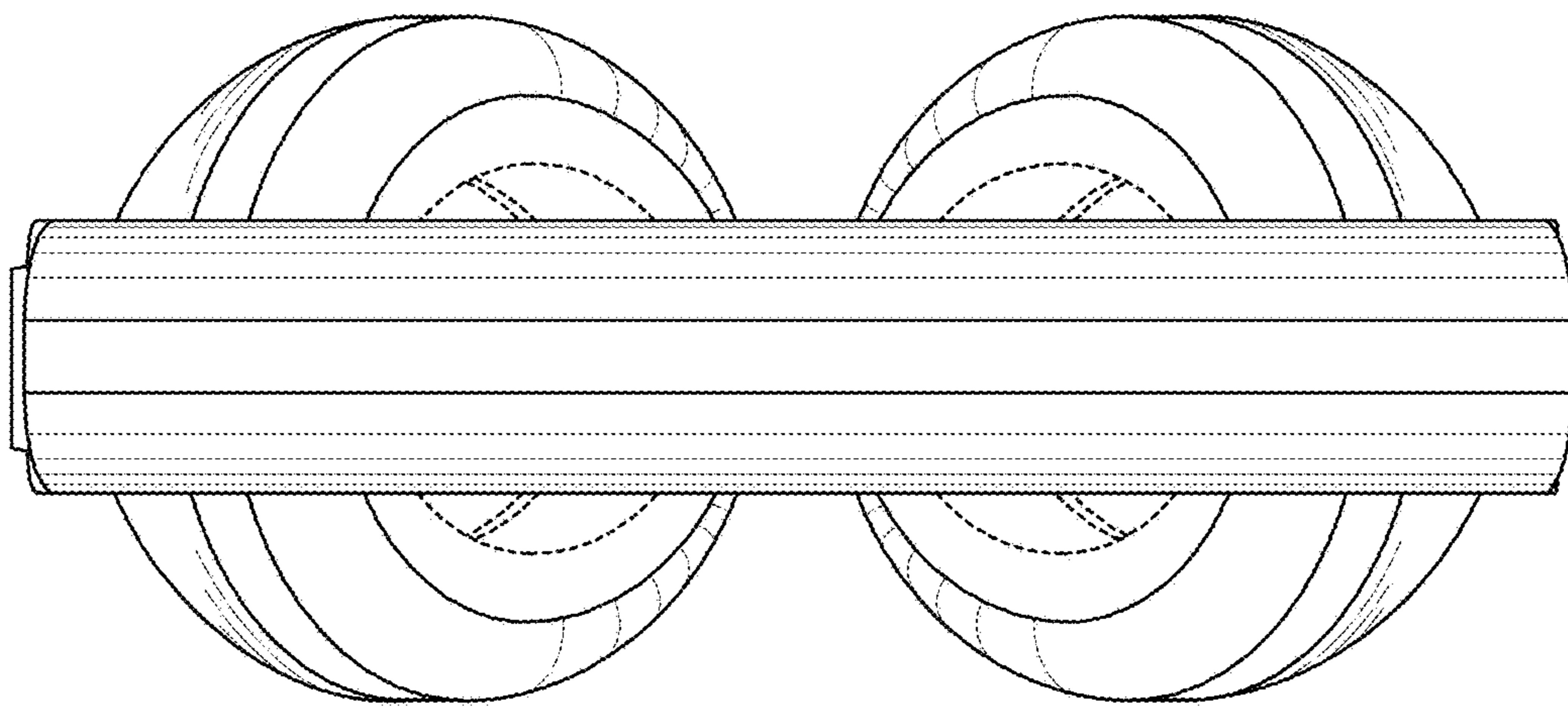


FIG.5

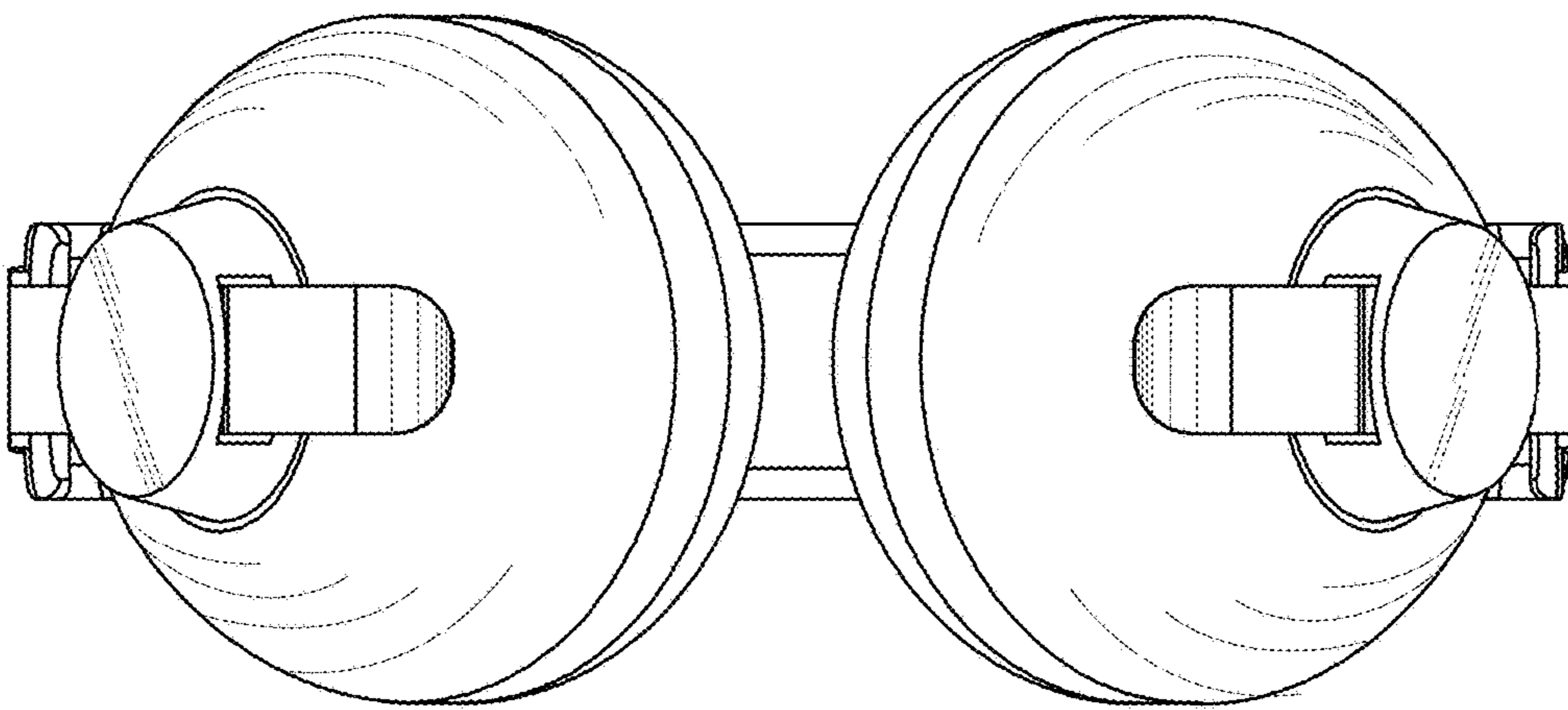


FIG.6

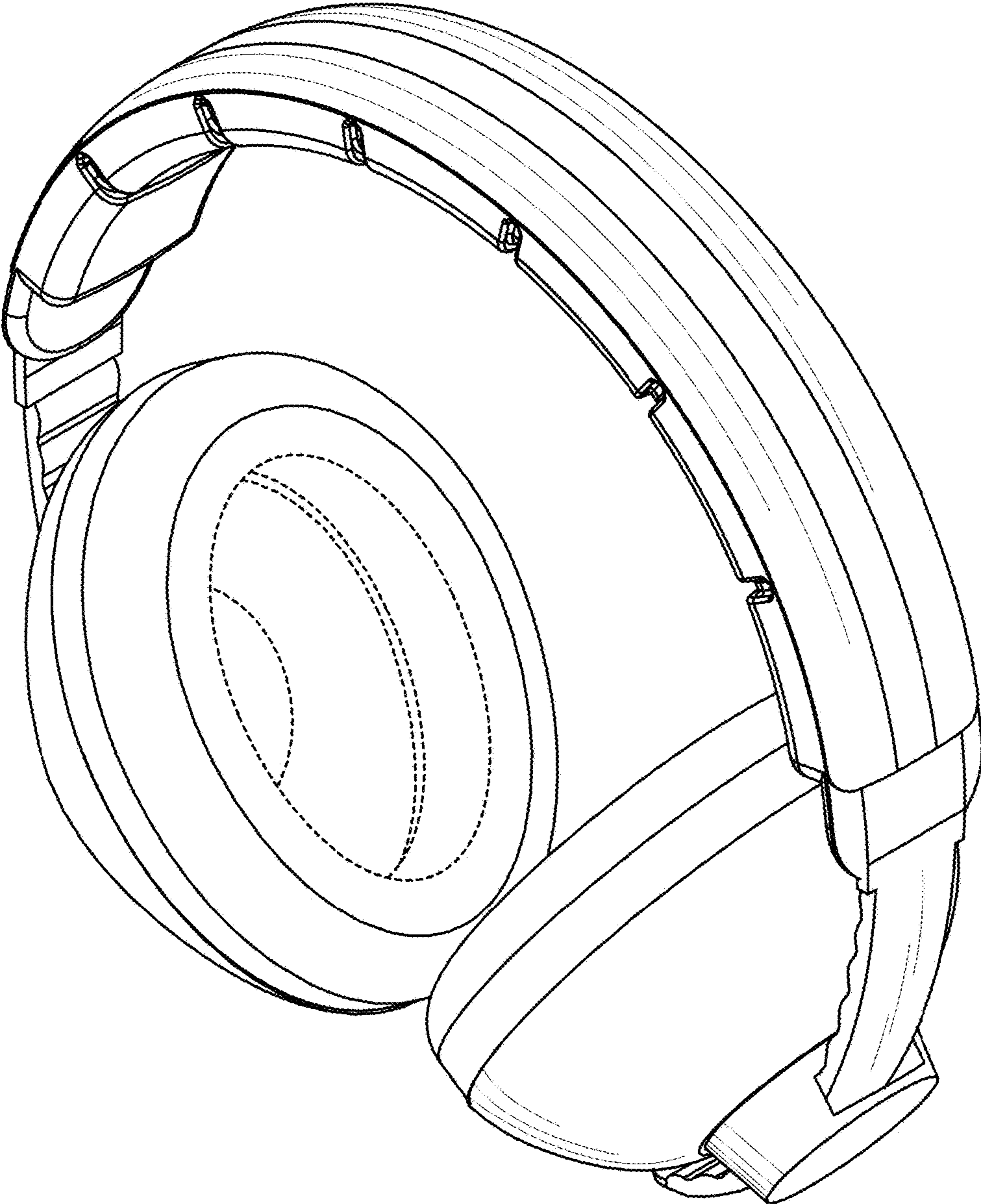


FIG.7

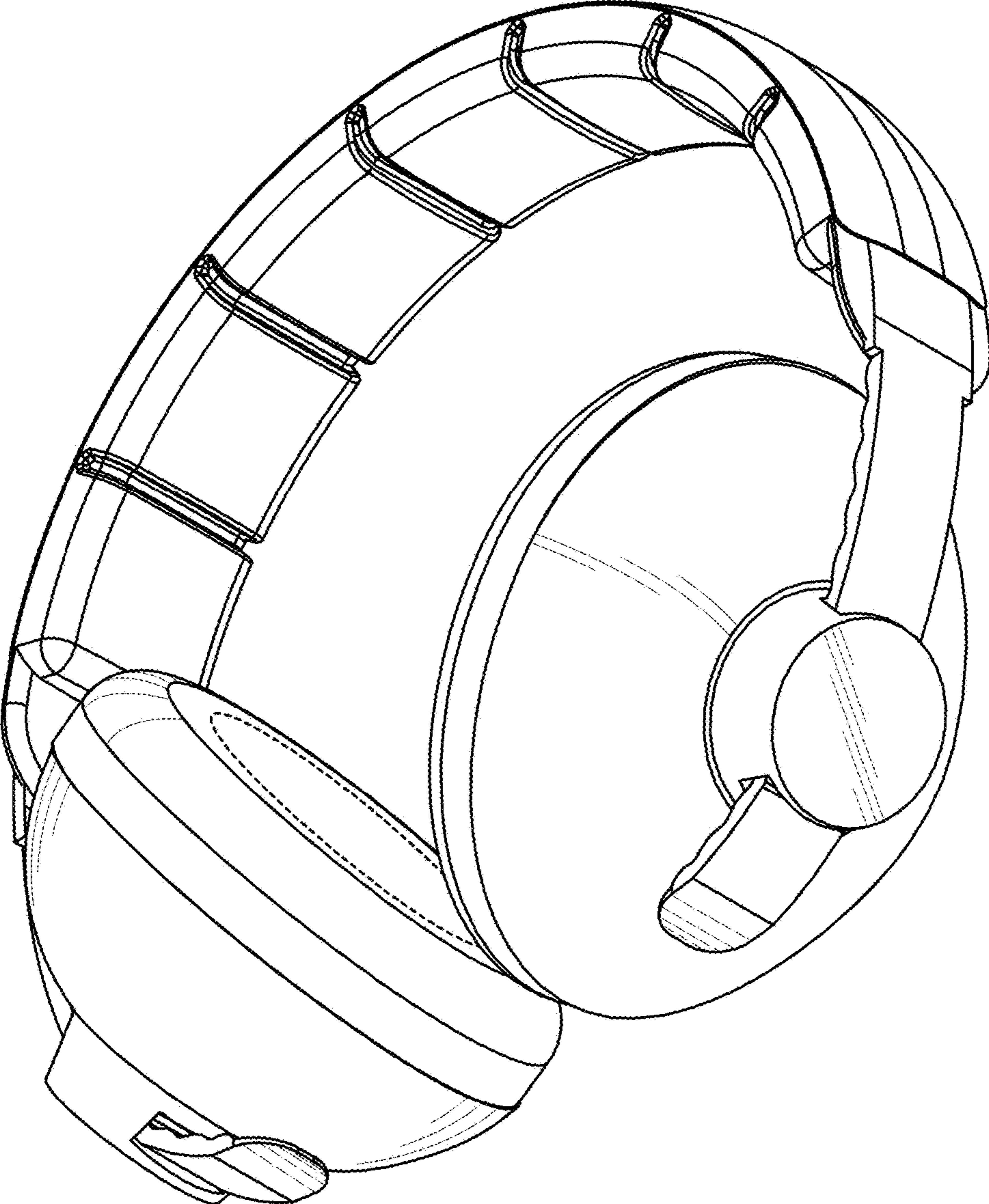


FIG.8