



US00D864897S

(12) **United States Design Patent**
Qin et al.

(10) **Patent No.:** **US D864,897 S**

(45) **Date of Patent:** **** Oct. 29, 2019**

- (54) **WIRELESS HEADSET**
- (71) Applicant: **Shenzhen 3nod AcoustiLink Co., Ltd**,
Shenzhen (CN)
- (72) Inventors: **Shoutian Qin**, Shenzhen (CN); **Manzu Wang**,
Shenzhen (CN); **Wanquan Zhou**, Shenzhen (CN)
- (73) Assignee: **SHENZHEN 3NOD ACOUSTICLINK CO., LTD**,
Shenzhen (CN)

- 6,295,366 B1 * 9/2001 Haller H04R 5/0335
379/430
- D484,485 S * 12/2003 Matsuoka D14/205
- 6,993,143 B2 * 1/2006 Harris H04R 1/1066
381/374
- 7,072,483 B2 * 7/2006 Lenhard-Backhaus
H04R 1/1066
381/370
- D534,155 S * 12/2006 Obata D14/205
- D538,261 S * 3/2007 Taylor D14/205
- D540,301 S * 4/2007 Obata D14/205
- D563,382 S * 3/2008 Wikel D14/205

(Continued)

- (**) Term: **15 Years**
- (21) Appl. No.: **29/643,428**
- (22) Filed: **Apr. 9, 2018**
- (30) **Foreign Application Priority Data**
Oct. 16, 2017 (CN) 2017 3 0491069
- (51) **LOC (12) Cl.** **14-01**
- (52) **U.S. Cl.**
USPC **D14/205**
- (58) **Field of Classification Search**
USPC D14/205, 188, 192; D29/112; 2/209;
181/129, 130, 135; 379/430, 431;
381/380, 381, 374; 455/90.3, 575.1,
455/569.1
CPC H04R 25/00; H04R 25/02; H04R 1/1066;
H04R 1/1016; H04R 5/033; H04R
5/0335; H04R 1/10
See application file for complete search history.

FOREIGN PATENT DOCUMENTS

- CN 304992470 * 1/2019
- CN 305053606 * 3/2019

Primary Examiner — Paula Allen Greene

(74) *Attorney, Agent, or Firm* — Tim Tingkang Xia, Esq.;
Locke Lord LLP

(57) **CLAIM**

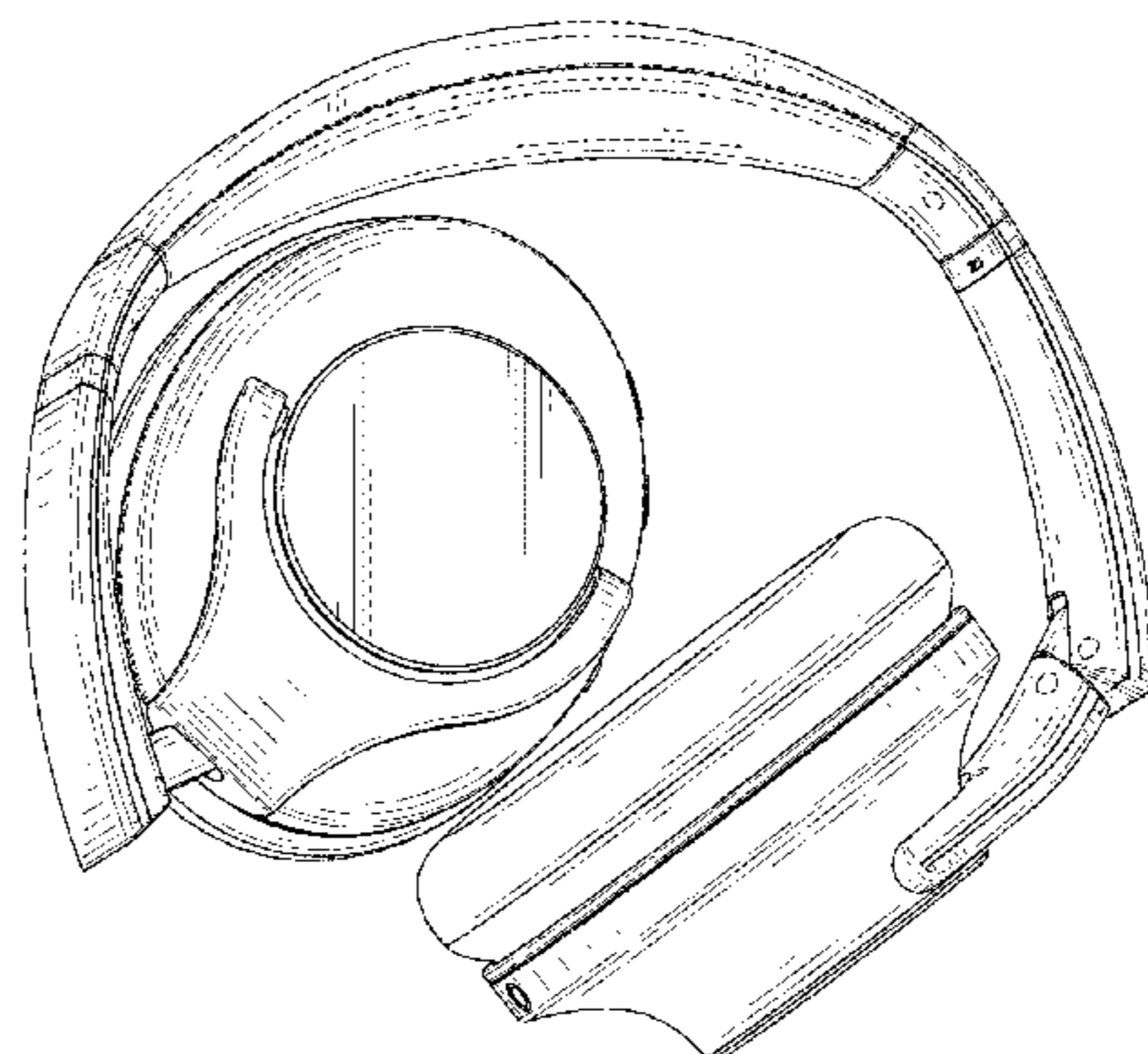
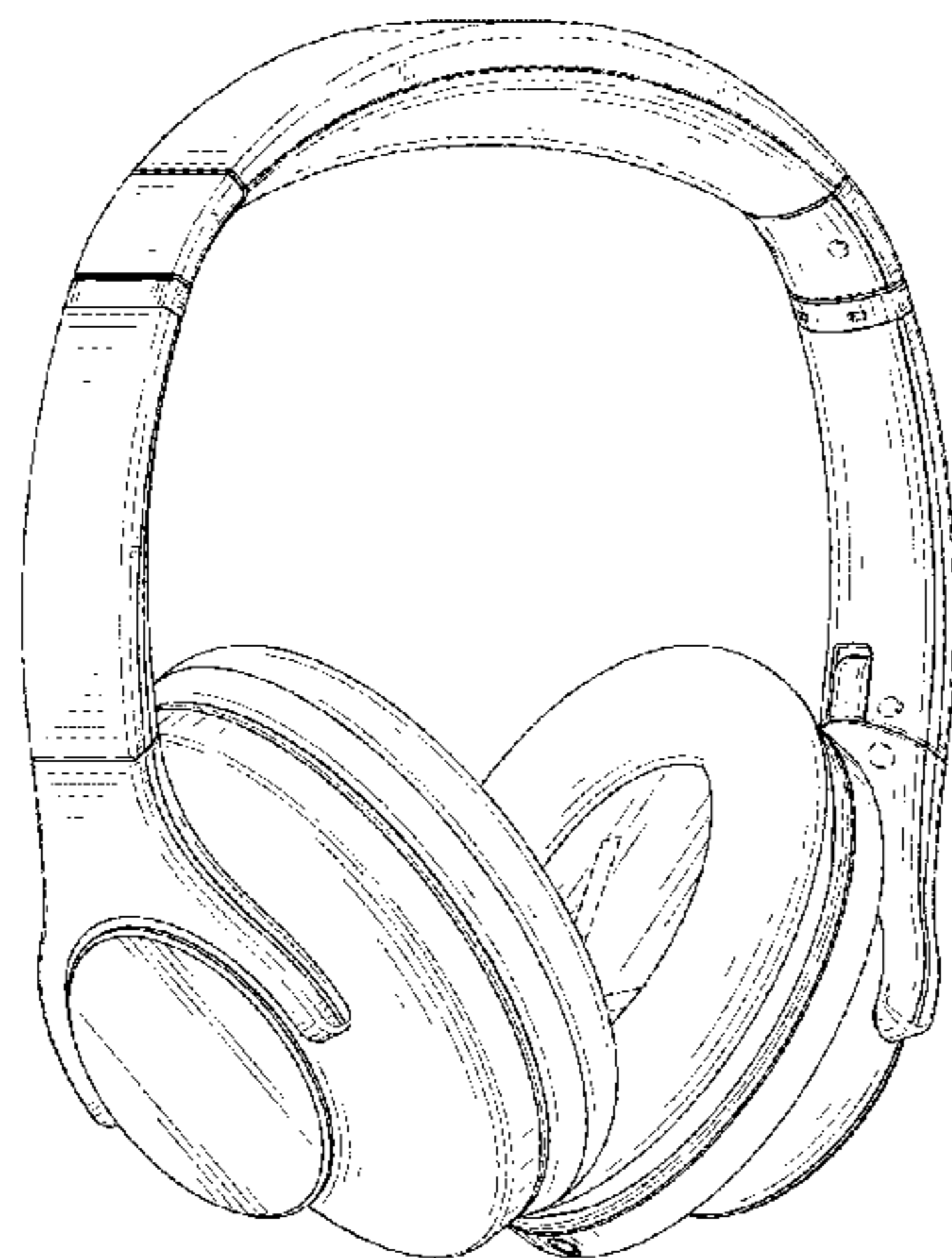
The ornamental design for a wireless headset, as shown and described.

DESCRIPTION

FIG. 1 is a front perspective view of a wireless headset according to our new design;
 FIG. 2 is a front perspective view thereof from another angle;
 FIG. 3 is a front elevation view thereof;
 FIG. 4 is a rear elevation view thereof;
 FIG. 5 is a left side elevation view thereof;
 FIG. 6 is a right side elevation view thereof;
 FIG. 7 is a top plain view thereof;
 FIG. 8 is a bottom plain view thereof; and,
 FIG. 9 is a perspective operational view thereof.
 The broken lines illustrating portions of the wireless headset and/or environmental structures of the wireless headset form no part of the claimed design.

1 Claim, 9 Drawing Sheets

- (56) **References Cited**
U.S. PATENT DOCUMENTS
D328,074 S * 7/1992 Yamazaki D14/205
D345,162 S * 3/1994 Yamatogi D14/205
D358,388 S * 5/1995 Nakamura D14/205
D386,181 S * 11/1997 Fisher D14/192
D430,140 S * 8/2000 Roman D14/205



(56)

References Cited

U.S. PATENT DOCUMENTS

D583,800 S * 12/2008 Jaakkola D14/205
 D584,715 S * 1/2009 Brennwald D14/205
 D585,872 S * 2/2009 Lee D14/205
 D594,847 S * 6/2009 Suzuki D14/205
 D600,674 S * 9/2009 Brennwald D14/205
 D628,554 S * 12/2010 Tedja D14/205
 D637,176 S * 5/2011 Brunner D14/205
 D657,344 S * 4/2012 Brunner D14/205
 D663,716 S * 7/2012 Hardi D14/205
 D665,775 S * 8/2012 Katsumata D14/205
 D666,991 S * 9/2012 Lee D14/205
 D673,518 S * 1/2013 Tan D14/205
 D673,520 S * 1/2013 Tan D14/205
 D677,648 S * 3/2013 Lee D14/206
 D683,329 S * 5/2013 Hagelin D14/205
 D691,984 S * 10/2013 Wang D14/205
 D693,791 S * 11/2013 Troy D14/205
 D704,161 S * 5/2014 Morimoto H04R 1/1066
 D705,750 S * 5/2014 Wu H04R 1/1066
 D14/205

D706,240 S * 6/2014 Szymanski H04R 1/1066
 D14/205
 D706,241 S * 6/2014 Szymanski H04R 1/1066
 D14/205
 D719,136 S * 12/2014 Schaal D14/205
 8,923,525 B2 * 12/2014 Saideh H04R 1/1033
 381/309
 D721,052 S * 1/2015 Carr D14/205
 D722,998 S * 2/2015 Sancho D14/205
 D729,194 S * 5/2015 Boeckel D14/205
 D734,296 S * 7/2015 Paterson D14/205
 D758,337 S * 6/2016 Szymanski D14/205
 D767,531 S * 9/2016 Szymanski D14/205
 D780,713 S * 3/2017 Szymanski D14/205
 D787,470 S * 5/2017 Kelly D14/205
 D800,691 S * 10/2017 Ando D14/205
 D826,895 S * 8/2018 Sharp D14/205
 D828,326 S * 9/2018 Ye D14/205
 D836,084 S * 12/2018 Xie D14/205
 D837,763 S * 1/2019 Suzuki D14/205
 2014/0363016 A1 * 12/2014 Blonder H04R 1/1025
 381/74

* cited by examiner

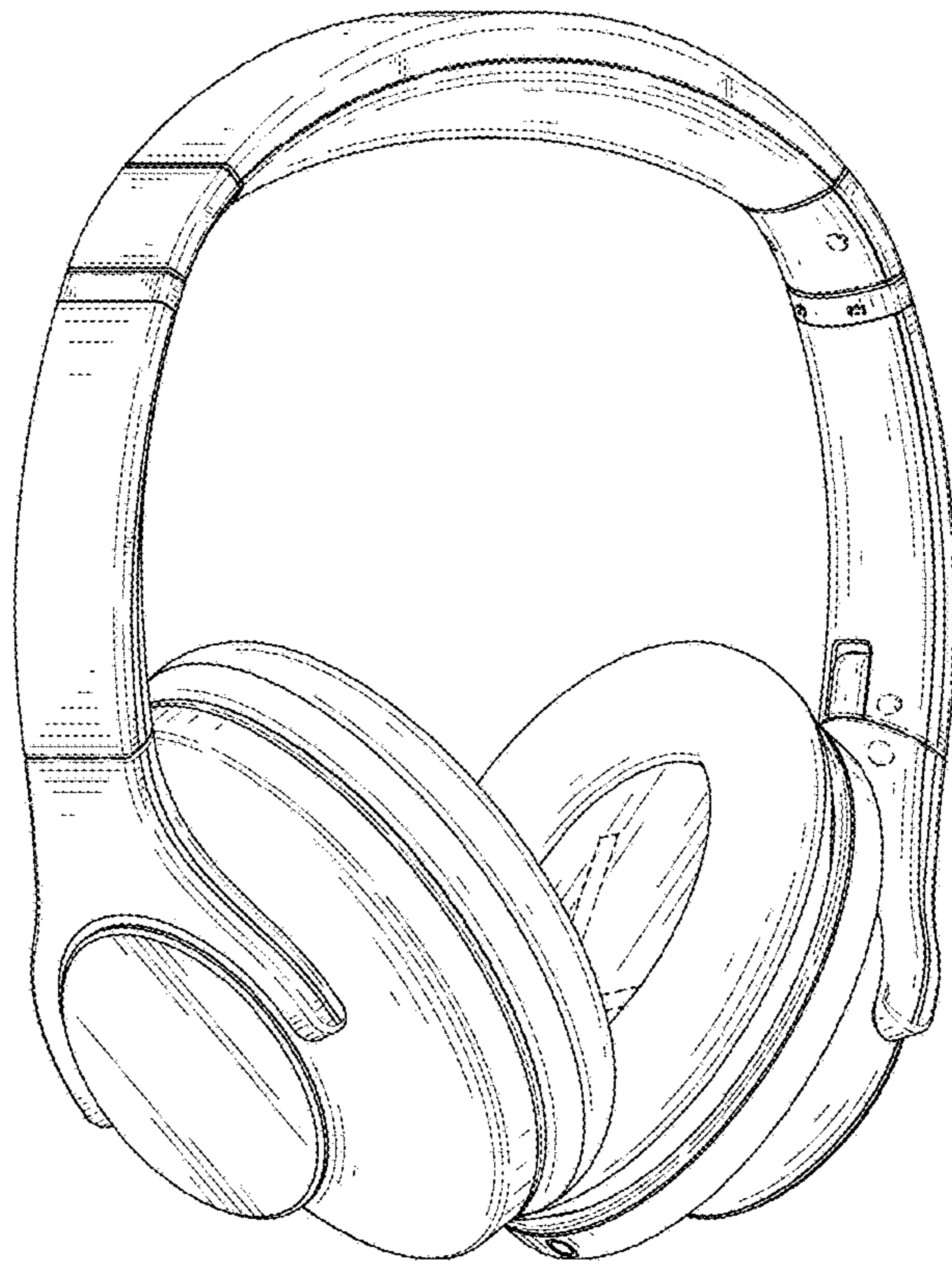


FIG. 1

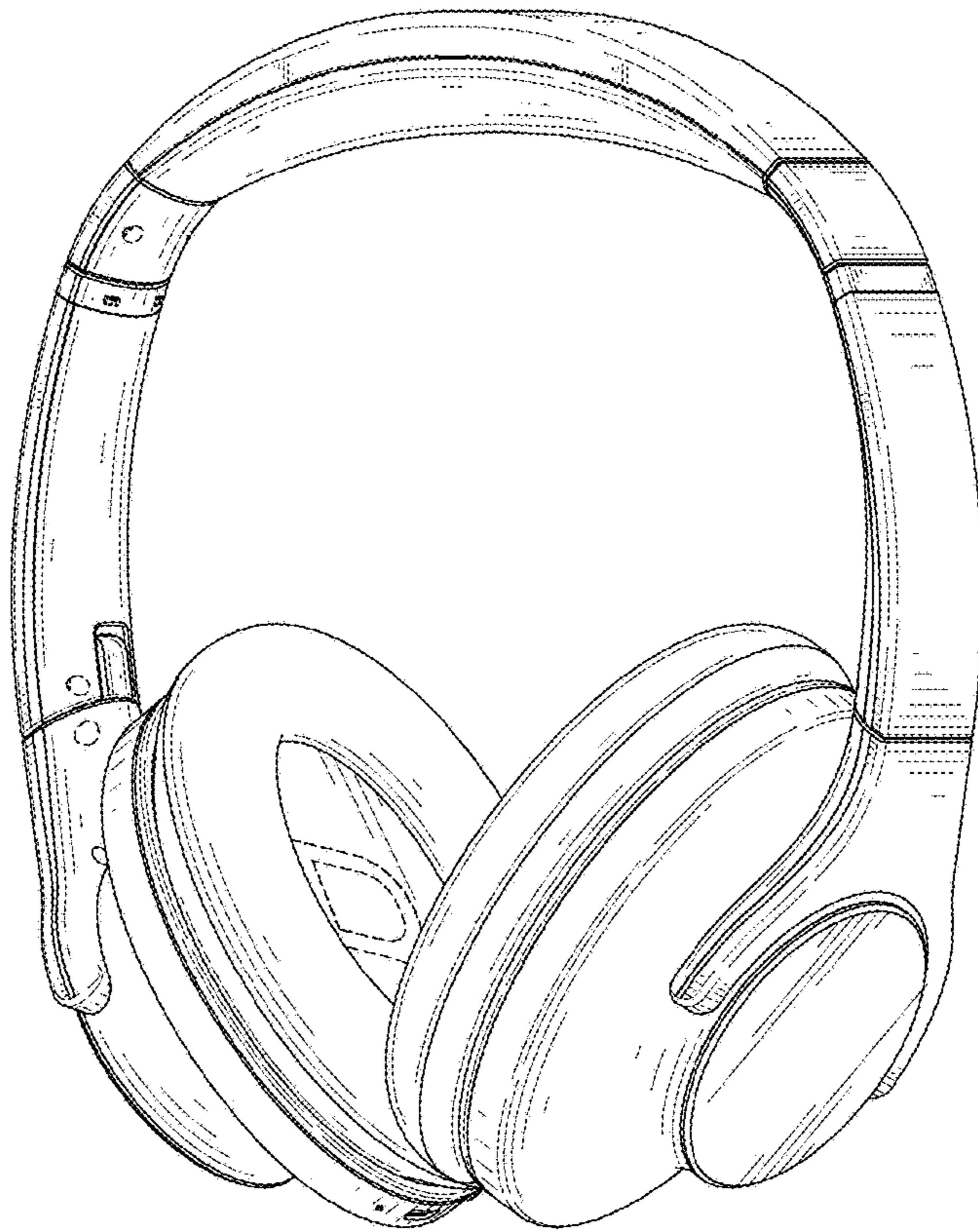


FIG. 2



FIG. 3



FIG. 4

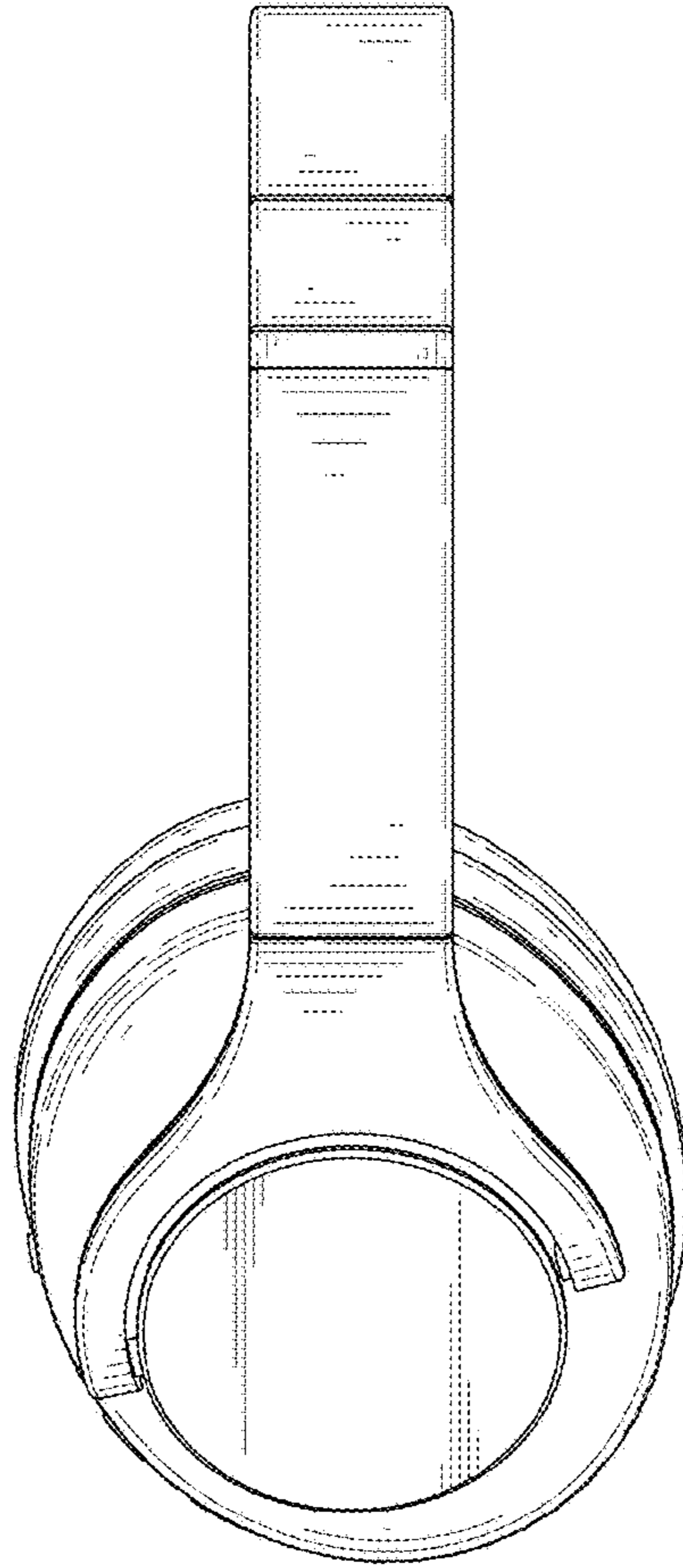


FIG. 5

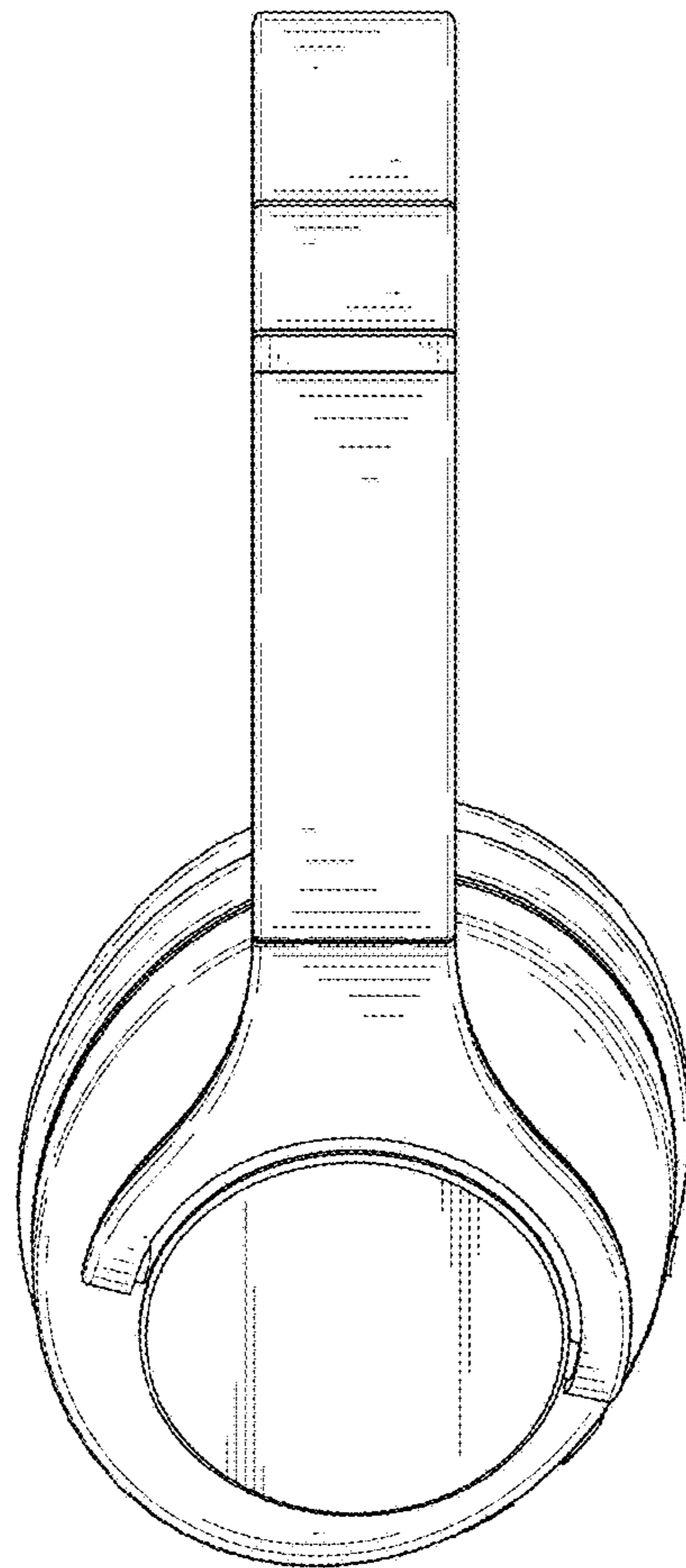


FIG. 6

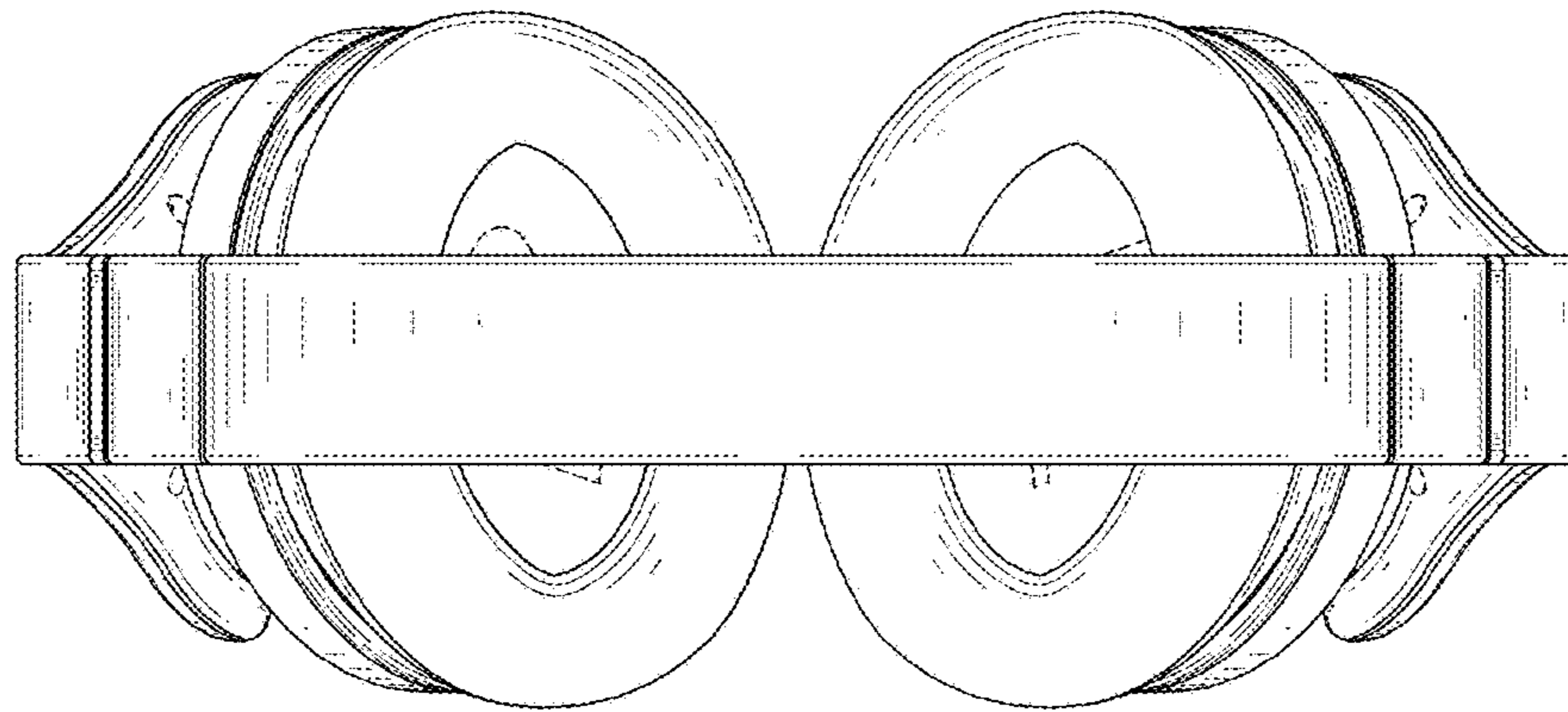


FIG. 7

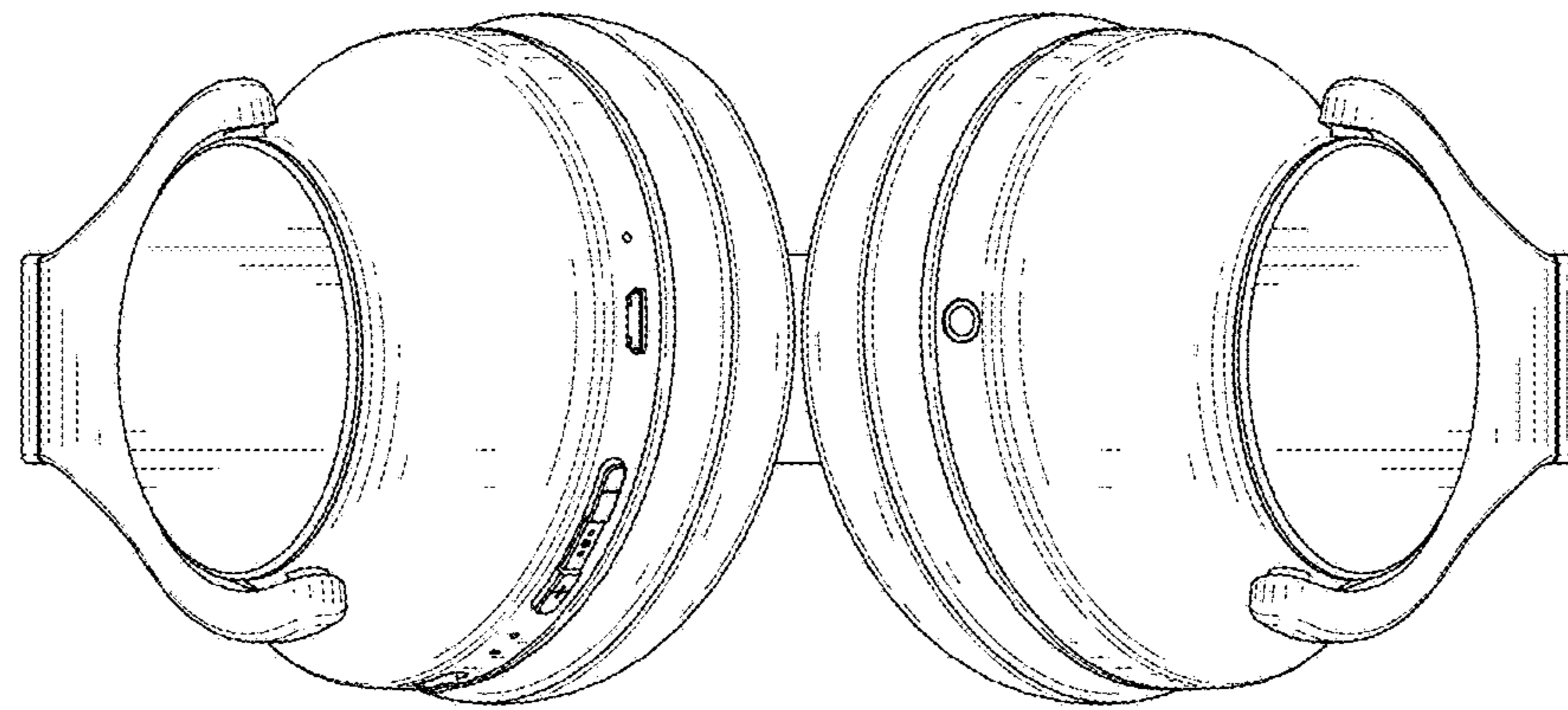


FIG. 8

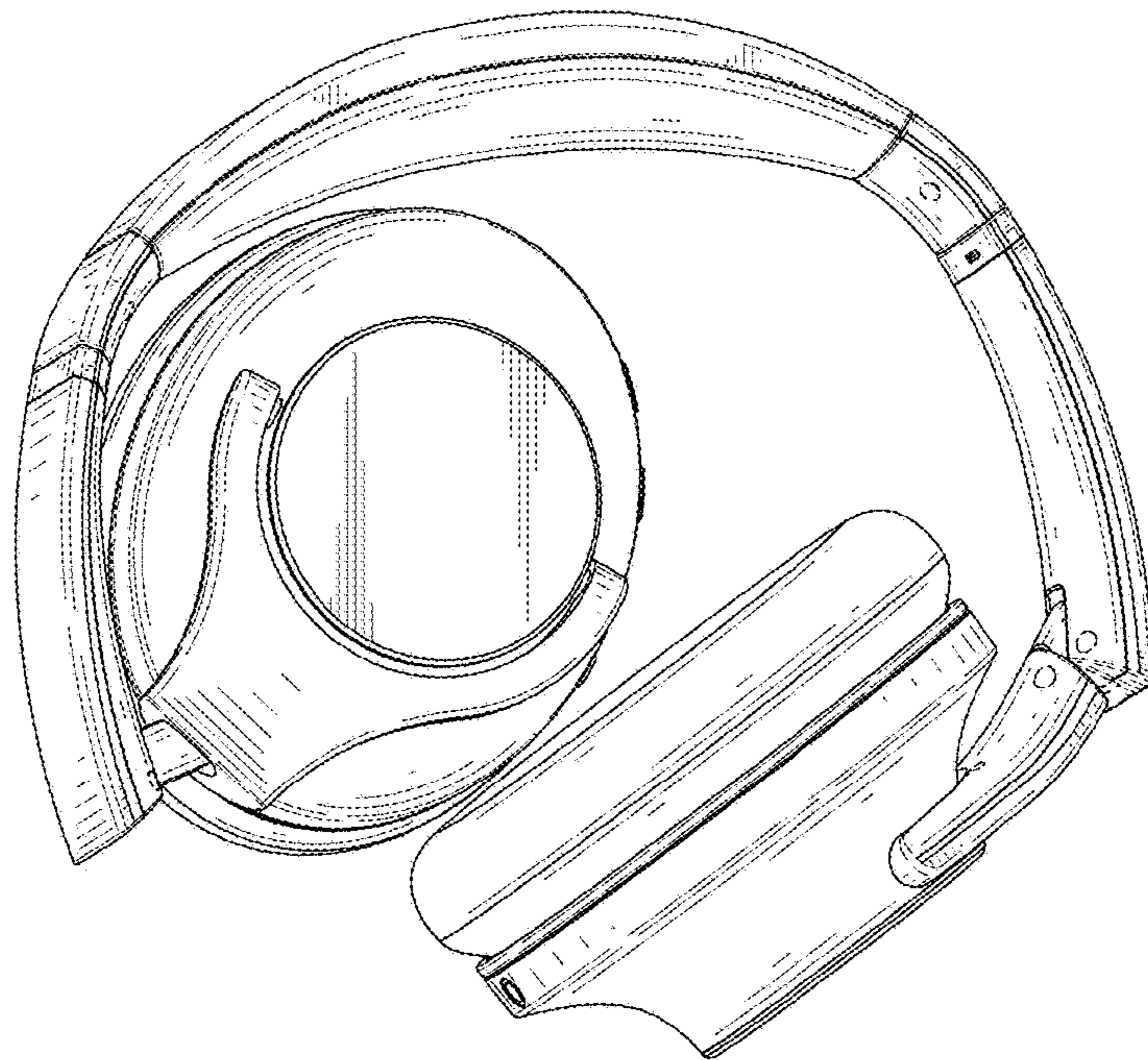


FIG. 9