



US00D864896S

(12) **United States Design Patent**
Zhang

(10) **Patent No.:** **US D864,896 S**

(45) **Date of Patent:** **** Oct. 29, 2019**

- (54) **HEADPHONE**
- (71) Applicant: **Sensen Zhang**, Guangdong (CN)
- (72) Inventor: **Sensen Zhang**, Guangdong (CN)
- (**) Term: **15 Years**
- (21) Appl. No.: **29/629,139**
- (22) Filed: **Dec. 12, 2017**
- (51) **LOC (12) Cl.** **14-01**
- (52) **U.S. Cl.**
USPC **D14/205**
- (58) **Field of Classification Search**
USPC D14/205, 188, 192; D29/112; 2/209;
181/129, 130, 135; 379/430, 431;
381/380, 381, 374; 455/90.3, 575.1,
455/569.1; D8/333, 354, 356; 403/80;
24/712.9; D11/86; 63/18-20
CPC H04R 1/1066; H04R 1/1016; H04R 5/033;
H04R 5/0335; H04R 1/10; H04R 25/00;
H04R 25/02; F16B 2/02; F16G 11/00
See application file for complete search history.

(56) **References Cited**

U.S. PATENT DOCUMENTS

- 2,149,341 A * 3/1939 Harrison H04R 1/1066
248/274.1
- 2,273,136 A * 2/1942 Orech F16G 11/14
224/258
- 3,505,684 A * 4/1970 Hutchinson A61F 11/14
2/209
- D254,616 S * 4/1980 Tabata D14/205
- 4,209,264 A * 6/1980 Hellberg A42B 3/166
403/80
- D292,205 S * 10/1987 Kikutani 381/378
- D302,677 S * 8/1989 Precht D13/108
- D317,767 S * 6/1991 Banks D14/205
- D353,818 S * 12/1994 Nakamura D14/205
- D380,663 S * 7/1997 Nakamura D8/354

- 5,794,127 A * 8/1998 Lansang H04R 1/1041
340/12.5
- 6,052,080 A * 4/2000 Magori
- D456,379 S * 4/2002 Fitzgerald D14/142
- 6,381,816 B1 * 5/2002 Lai A43C 7/00
24/130
- 6,449,806 B1 * 9/2002 Engelhard H04M 1/05
2/209
- 6,611,963 B2 * 9/2003 Woo A61F 11/14
2/209
- D517,941 S * 3/2006 Stern D11/86
- D519,497 S * 4/2006 Komiyama D14/223
- D560,654 S * 1/2008 Feng D14/205
- D570,825 S * 6/2008 Schultz D14/205
- D638,397 S * 5/2011 McManigal D14/205
- D649,864 S * 12/2011 Symons D8/356
- D668,633 S * 10/2012 Enquist D14/205
- D677,241 S * 3/2013 Kelly D14/205
- D684,559 S * 6/2013 Groset D14/205
- 8,646,466 B2 * 2/2014 Howard A45D 8/36
132/275

(Continued)

Primary Examiner — Paula Allen Greene

(74) *Attorney, Agent, or Firm* — Justin Lampel

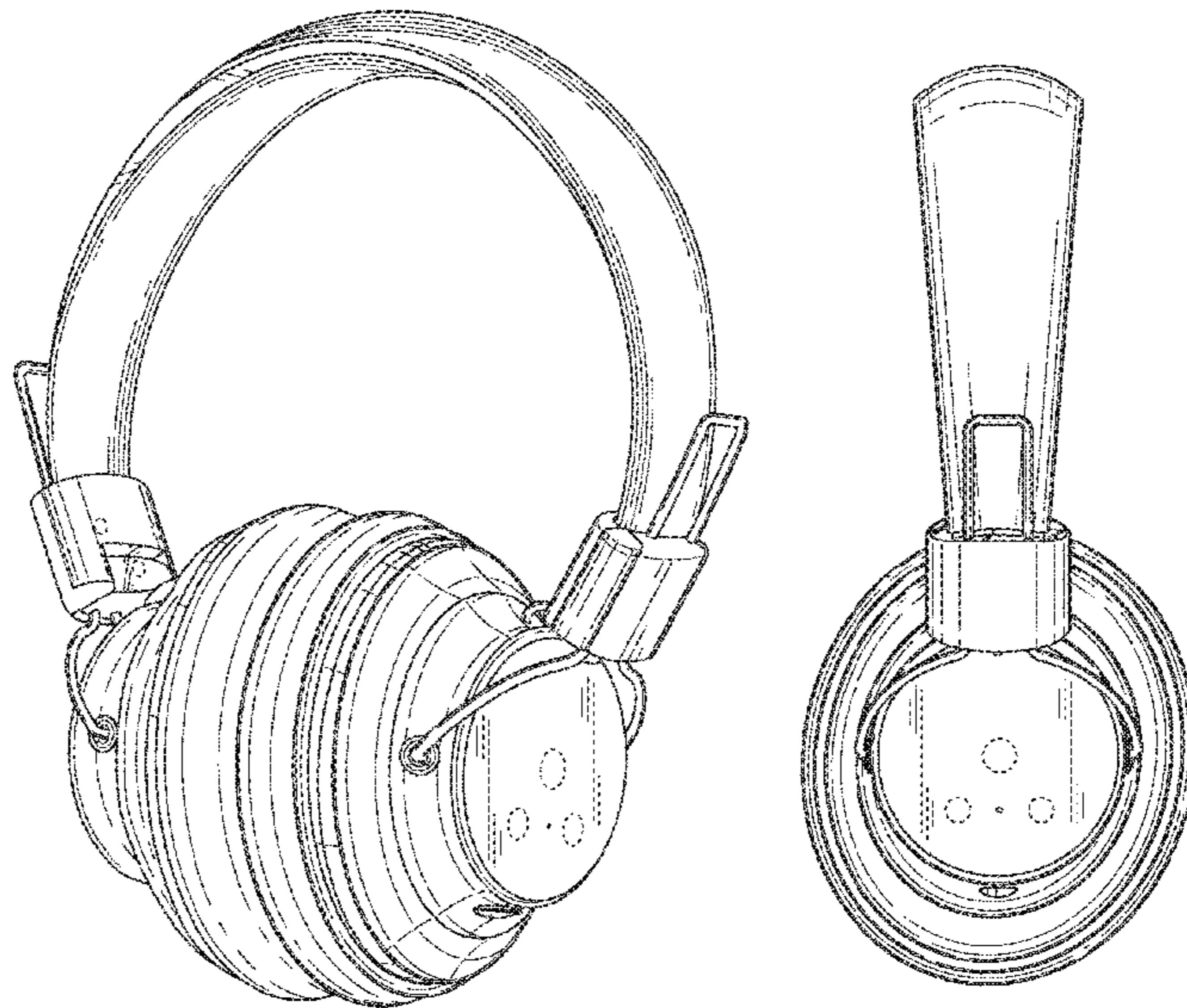
(57) **CLAIM**

The ornamental design for a headphone, as shown and described.

DESCRIPTION

FIG. 1 is a perspective view of a headphone showing my new design;
 FIG. 2 is a front side view thereof;
 FIG. 3 is a rear side view thereof;
 FIG. 4 is a right side view thereof;
 FIG. 5 is a left side view thereof;
 FIG. 6 is a bottom plan view thereof; and,
 FIG. 7 is a top plan view thereof.
 The broken lines depict environment that form no part of the claimed design.

1 Claim, 6 Drawing Sheets



(56)

References Cited

U.S. PATENT DOCUMENTS

D700,590	S *	3/2014	Heath	D14/205
8,755,555	B2 *	6/2014	Dougherty	H04R 1/1066 381/370
D712,872	S *	9/2014	Yuen	D14/205
D721,984	S *	2/2015	Paradise	D11/86
D722,589	S *	2/2015	Lu	D14/205
D722,590	S *	2/2015	Lu	D14/205
D722,998	S *	2/2015	Sancho	D14/205
D772,590	S *	11/2016	Itzhak-Sigron	D6/352
D781,265	S *	3/2017	Levine	D14/205
D809,474	S *	2/2018	Attal	D14/205
D811,362	S *	2/2018	Petersen	D14/205
D811,365	S *	2/2018	Czaniecki	D14/205
D826,894	S *	8/2018	Zhang	D14/205
D826,895	S *	8/2018	Sharp	D14/205
D830,330	S *	10/2018	Petersen	D14/205
D832,811	S *	11/2018	Levine	D14/205
D837,763	S *	1/2019	Suzuki	D14/205
D842,270	S *	3/2019	Chen	D14/205
2005/0105755	A1 *	5/2005	Yueh	H04R 1/1041 381/371

* cited by examiner

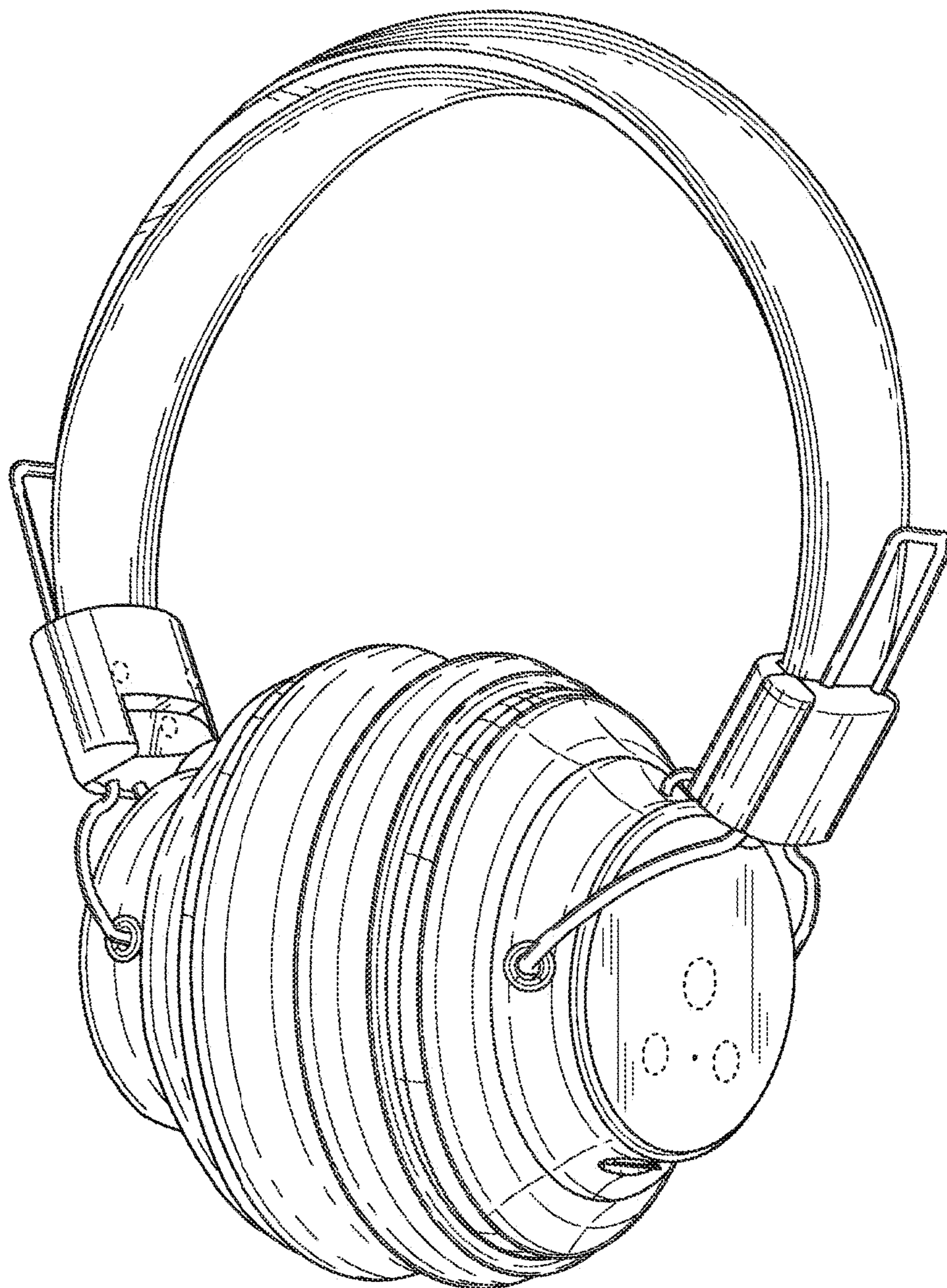


FIG. 1

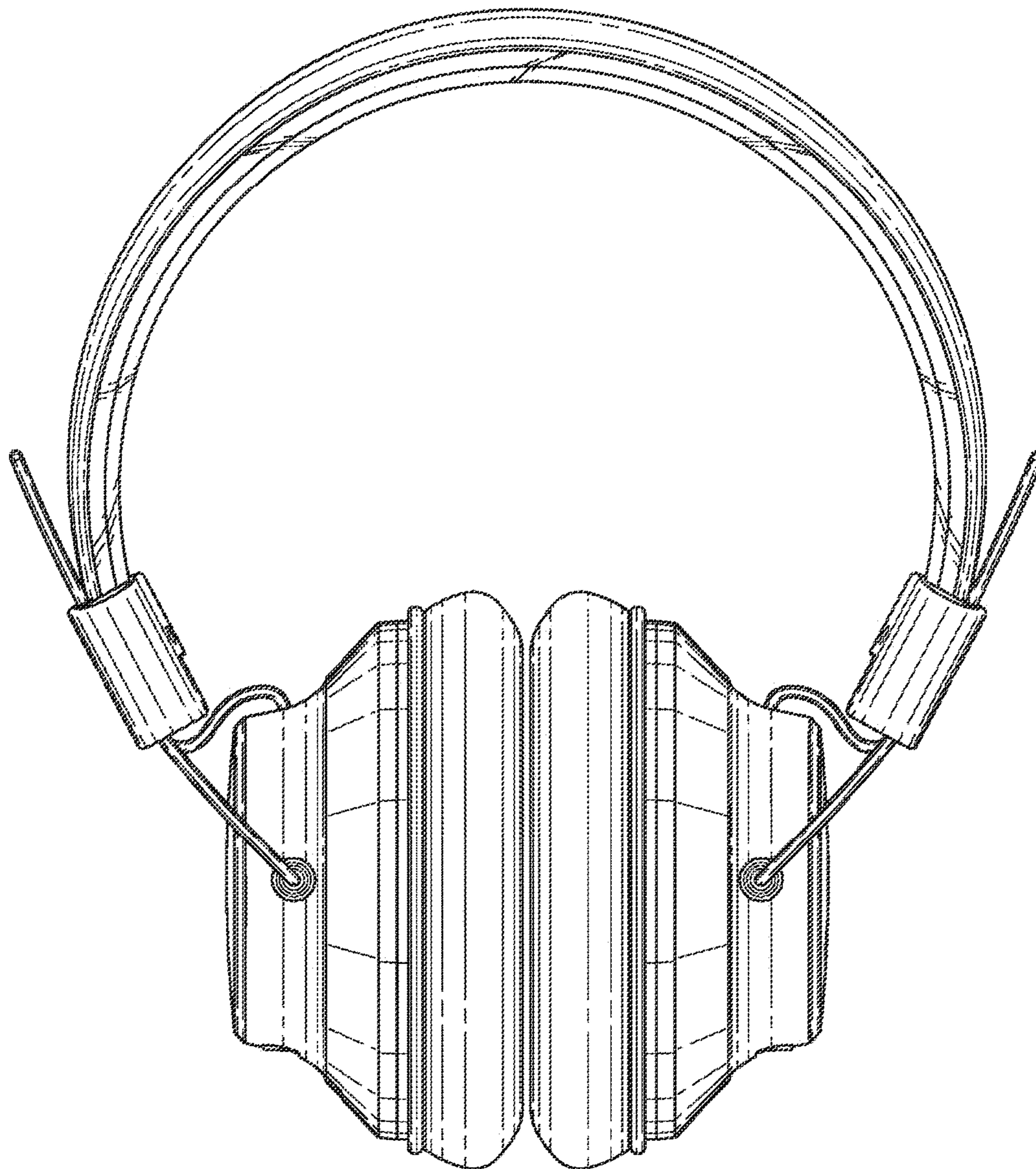


FIG. 2



FIG. 3

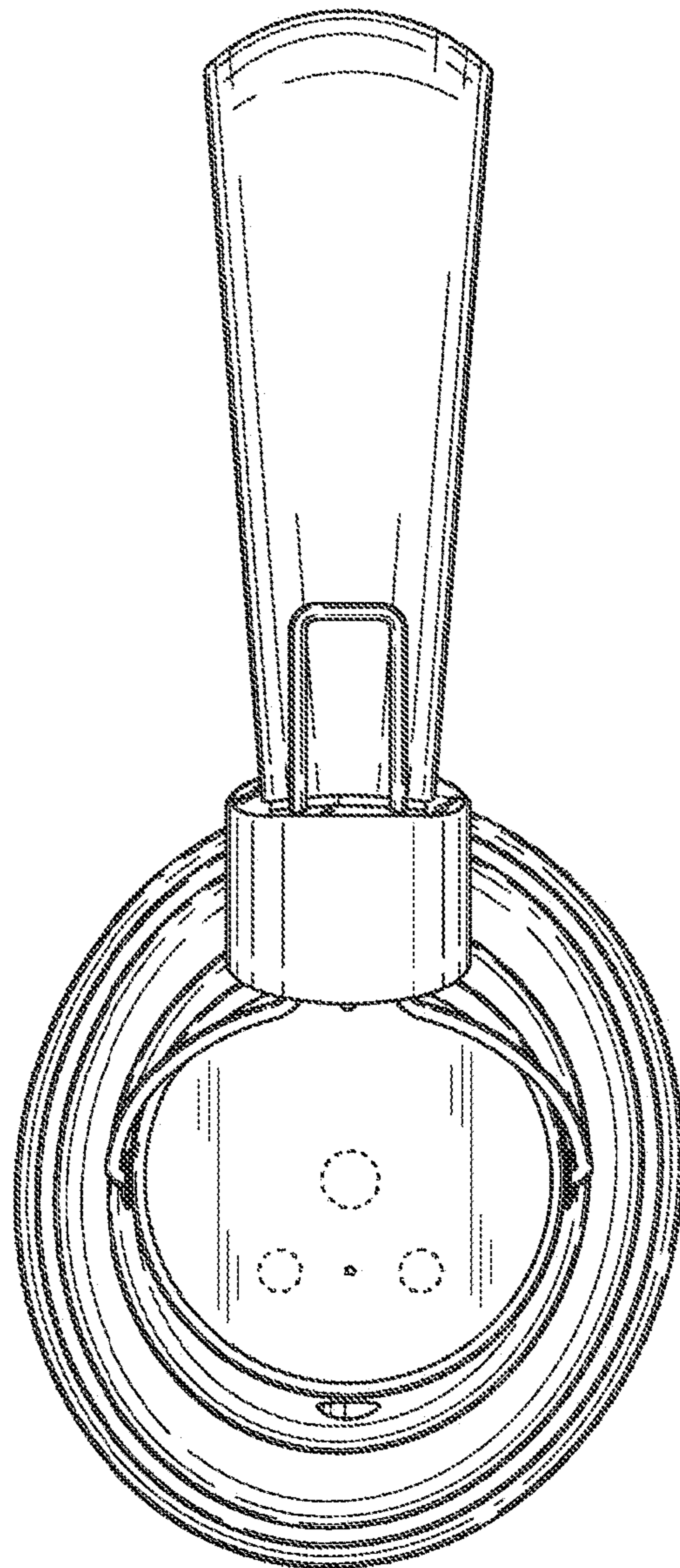


FIG. 4

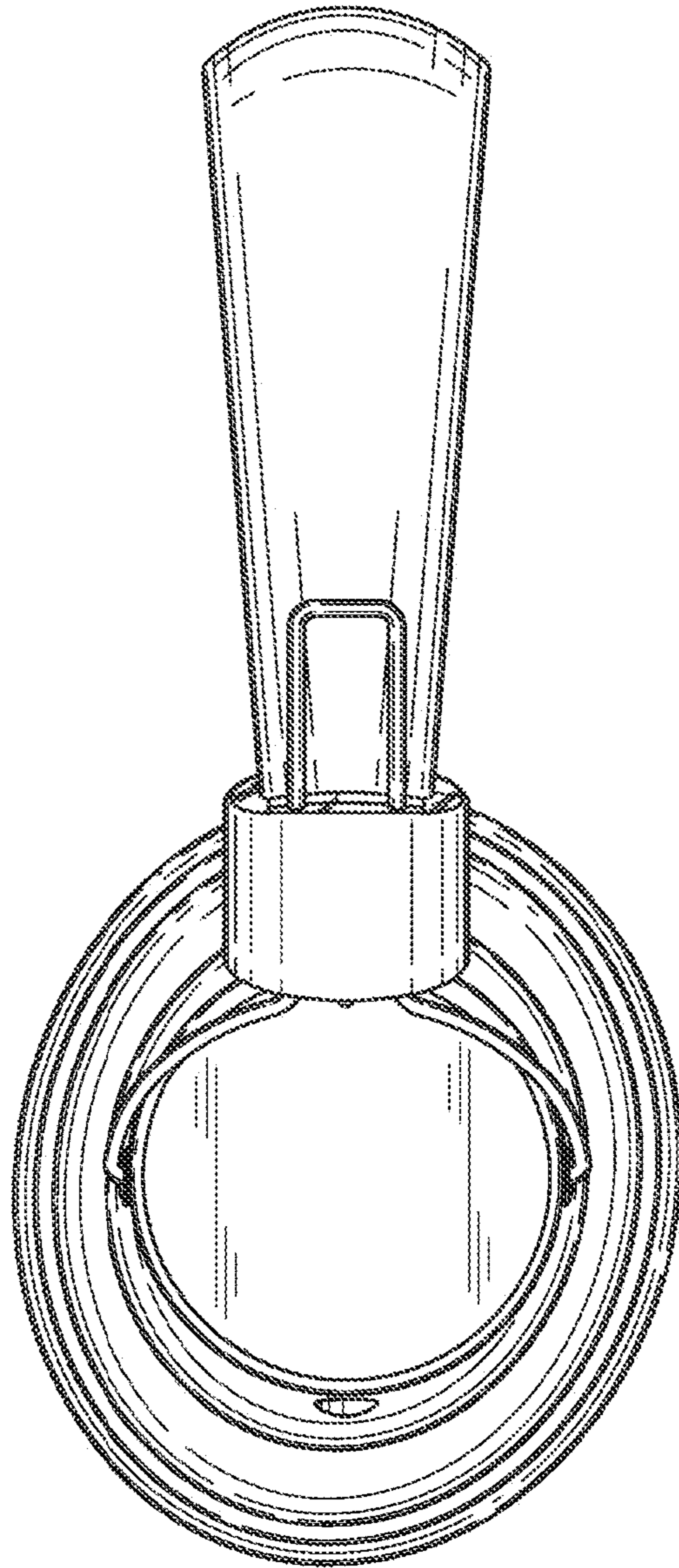


FIG. 5

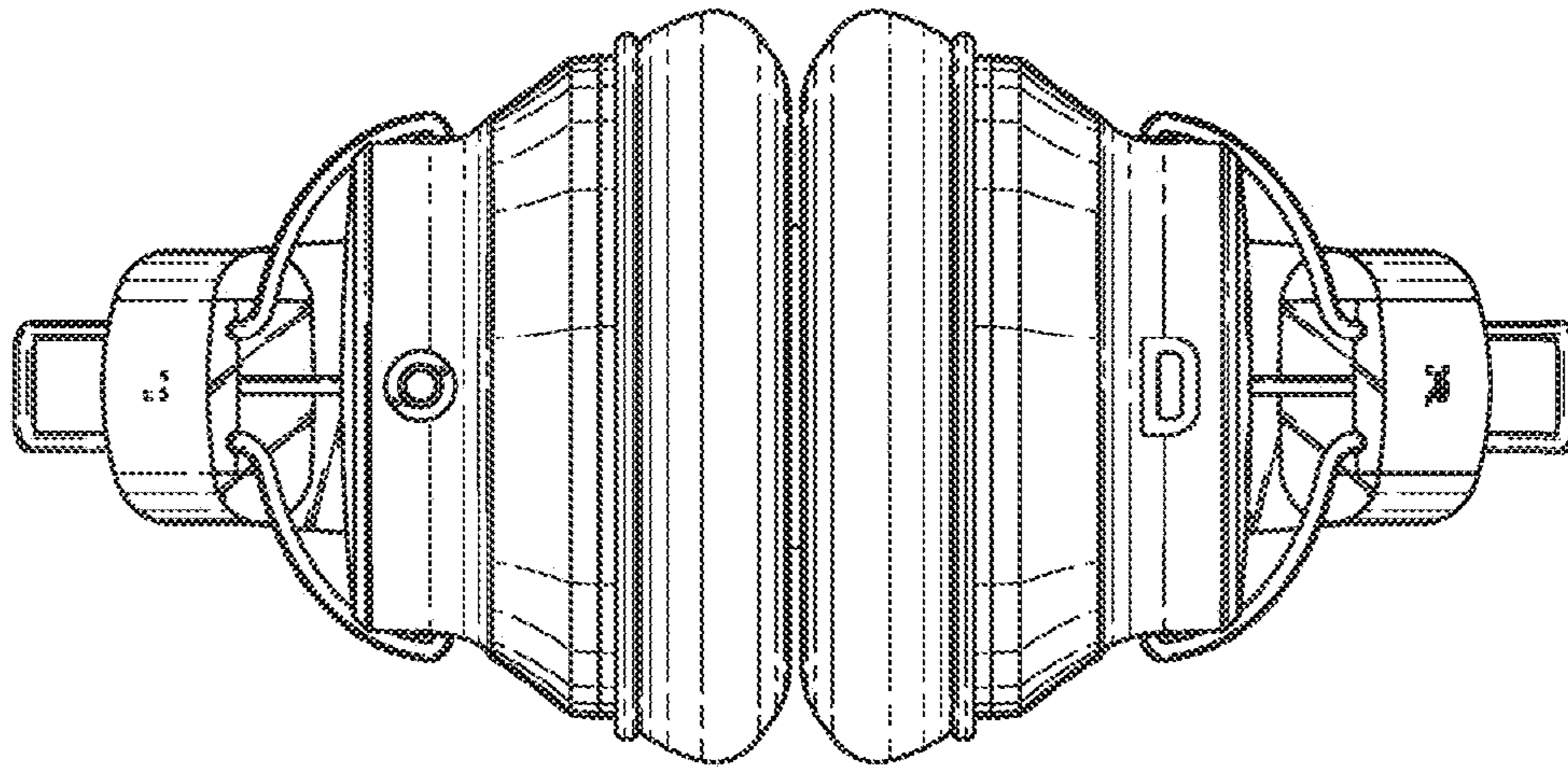


FIG. 6

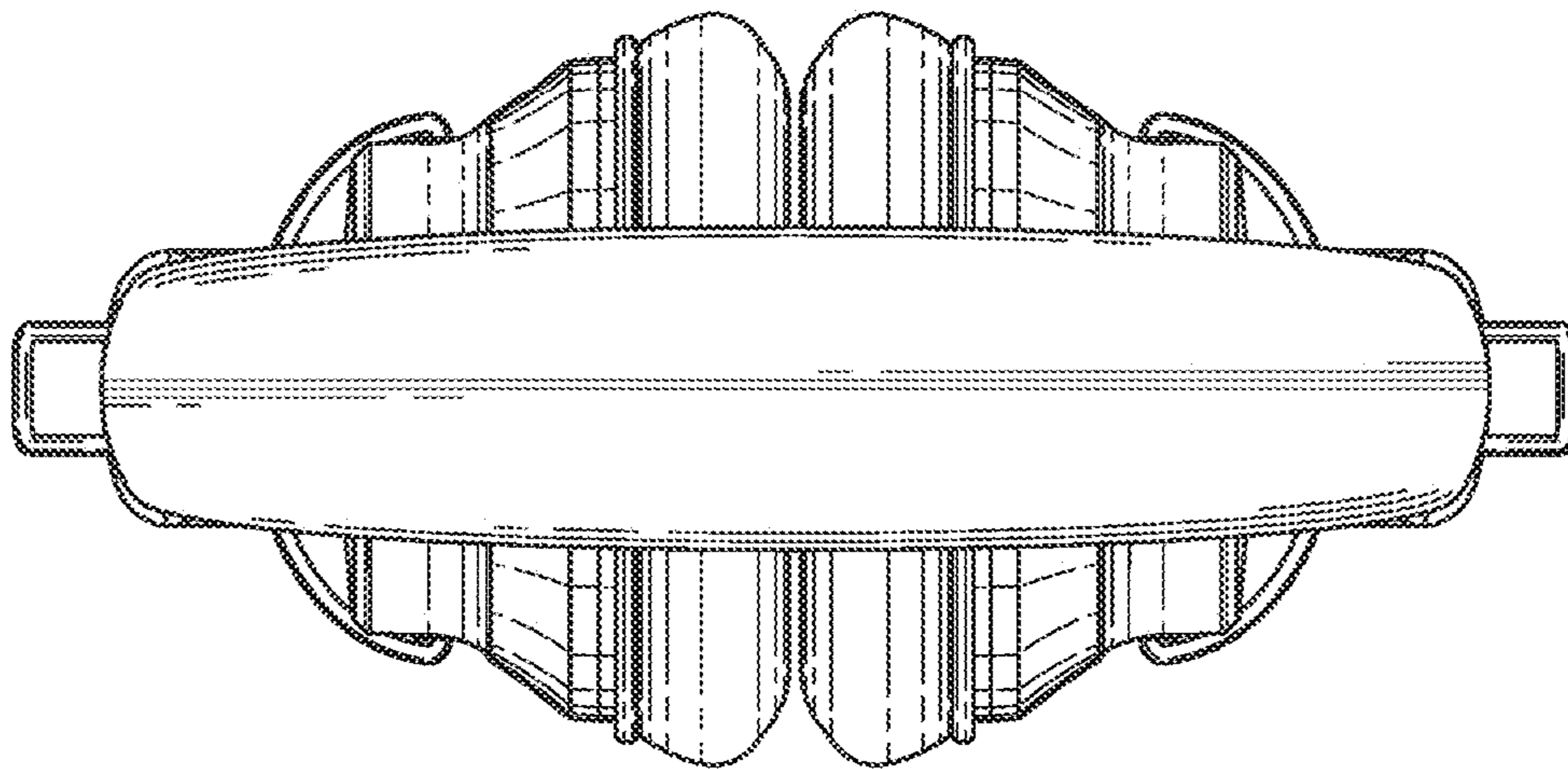


FIG. 7