

US00D864895S

(12) **United States Design Patent** (10) **Patent No.:** **US D864,895 S**
Kim et al. (45) **Date of Patent:** **** Oct. 29, 2019**

(54) **SPEAKER**
(71) Applicant: **LG ELECTRONICS INC.**, Seoul (KR)
(72) Inventors: **Youngkyoung Kim**, Seoul (KR); **Youngwon Jeong**, Seoul (KR)
(73) Assignee: **LG ELECTRONICS INC.**, Seoul (KR)
(**) Term: **15 Years**
(21) Appl. No.: **35/505,740**
(22) Filed: **Mar. 27, 2018**
(80) **Hague Agreement Data**
Int. Filing Date: **Mar. 27, 2018**
Int. Reg. No.: **DM/100603**
Int. Reg. Date: **Mar. 27, 2018**
Int. Reg. Pub. Date: **Sep. 28, 2018**

(30) **Foreign Application Priority Data**
Sep. 28, 2017 (KR) 30-2017-0045851
(51) **LOC (12) Cl.** **14-01**
(52) **U.S. Cl.**
USPC **D14/204**
(58) **Field of Classification Search**
USPC D14/168, 169, 170, 171, 172, 188, 204, D14/209, 209.1, 210, 212, 214, 215, 221
CPC G06F 1/1688; G10K 9/22; H04N 5/64; H04R 1/02; H04R 1/021; H04R 1/025; H04R 1/026; H04R 1/028; H04R 1/403; H04R 1/2803; H04R 1/2834; H04R 5/02; H04R 9/06; H04R 19/013; H04R 2201/021; H04R 2400/00; H04R 2499/11; H05K 5/00; H05K 5/0086
See application file for complete search history.

(56) **References Cited**
U.S. PATENT DOCUMENTS
D441,738 S * 5/2001 Schuiling D14/168
D542,265 S * 5/2007 Hussaini D14/170

D571,356 S * 6/2008 Smith D14/168
D579,441 S * 10/2008 Okamura D14/168
(Continued)

OTHER PUBLICATIONS

www.worldwidestereo.com: LG SK9Y 5.1.2-Channel Hi-Res Audio Sound Bar with Wireless Subwoofer. © 2019; 13 pages. Found online Jun. 4, 2019 at <https://www.worldwidestereo.com/products/lg-sk9y-5-1-2-channel-hi-res-audio-sound-bar-with-wireless-subwoofer>.*

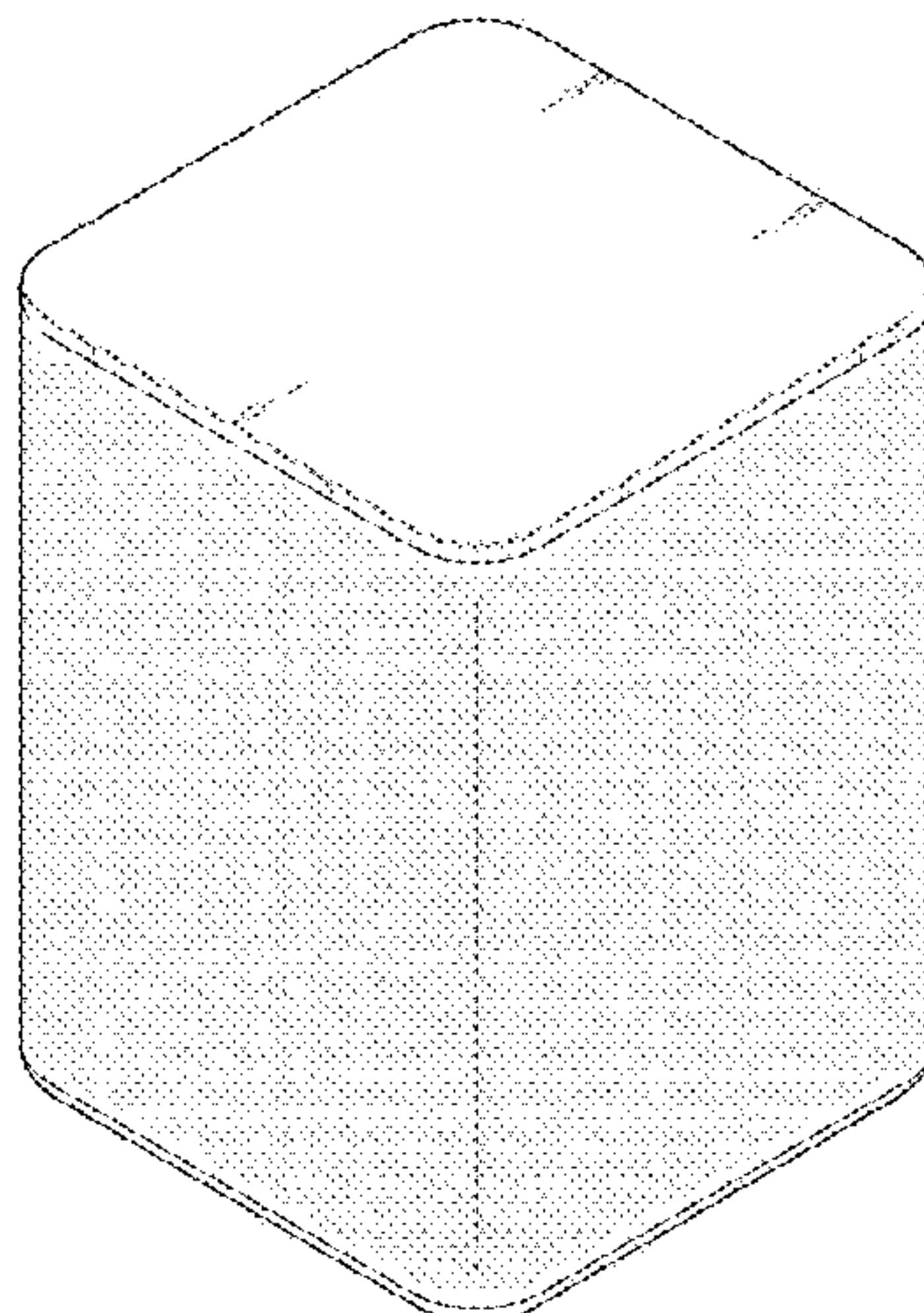
Primary Examiner — Robert M. Spear
(74) *Attorney, Agent, or Firm* — Birch, Stewart, Kolasch & Birch, LLP

(57) **CLAIM**
The ornamental design for a speaker, as shown and described.

DESCRIPTION

1. Speaker
1.1 : Perspective
1.2 : Front
1.3 : Back
1.4 : Left
1.5 : Top
1.6 : Bottom
1.7 : Perspective view 2
1.8 : Perspective view 3
The broken lines depict portions of the speaker that form no part of the claimed design; reproduction 1.1 is a front perspective view of the speaker; reproduction 1.2 is a front view thereof; reproduction 1.3 is a back view thereof; reproduction 1.4 is a left view thereof where the right view is a mirror image; reproduction 1.5 is a top view thereof; reproduction 1.6 is a bottom view thereof; reproductions 1.7 and 1.8 are back and bottom perspective views thereof; this design is for a speaker which can be hung on a wall or a ceiling using a fixing bracket.

1 Claim, 8 Drawing Sheets



(56)

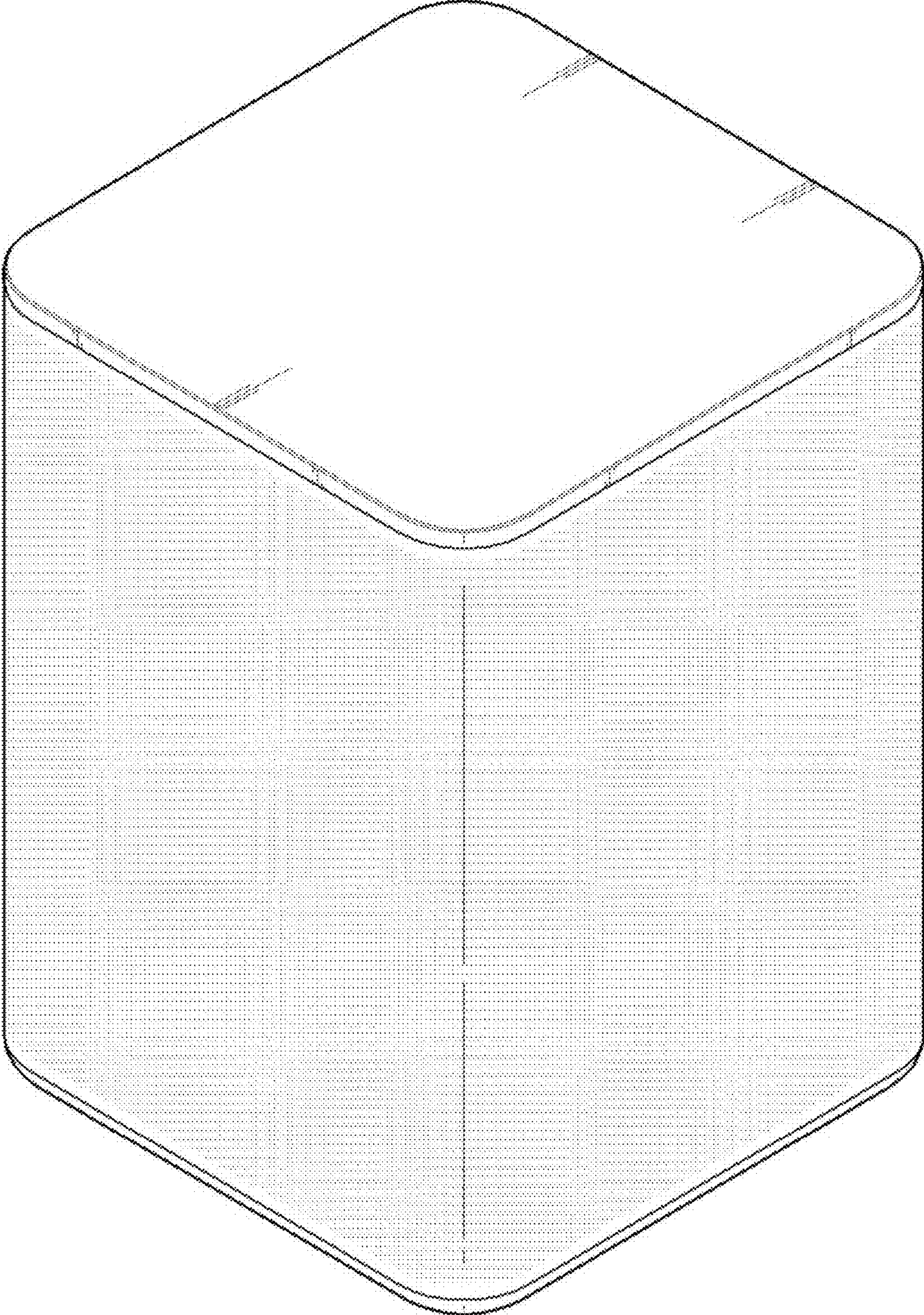
References Cited

U.S. PATENT DOCUMENTS

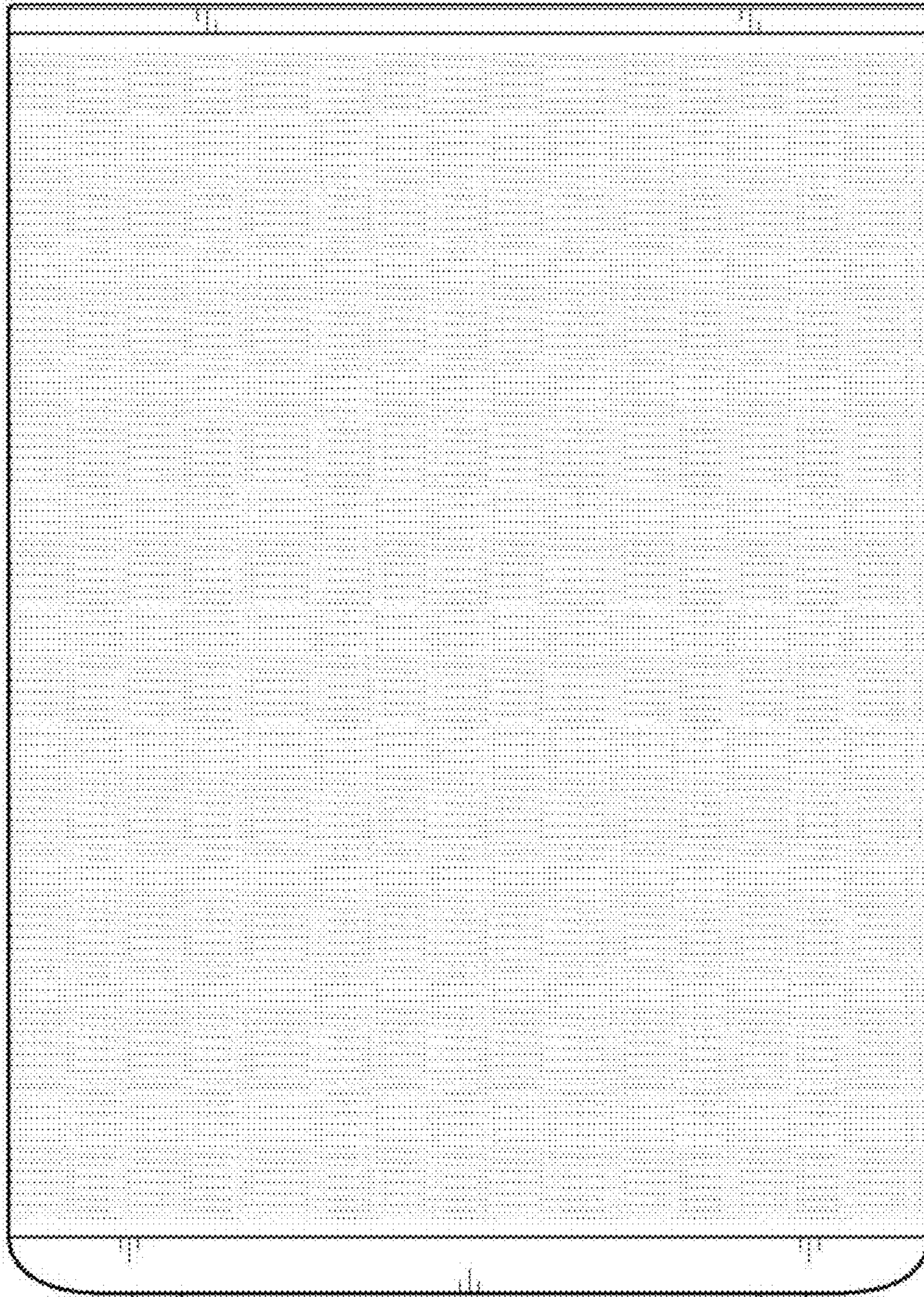
D656,919 S *	4/2012	Skurdal	D14/171
D676,412 S *	2/2013	Holzer	D14/171
D690,280 S *	9/2013	Schul	D14/168
D721,350 S *	1/2015	Kim	D14/188
D726,766 S *	4/2015	Goodner	D14/188
D752,549 S *	3/2016	Jakowski	D14/214
D817,187 S *	5/2018	Poandl	D10/15
D837,182 S *	1/2019	Elmieh	D14/204
D842,274 S *	3/2019	Kiong	D14/215
D848,974 S *	5/2019	Kitazawa	D14/215

* cited by examiner

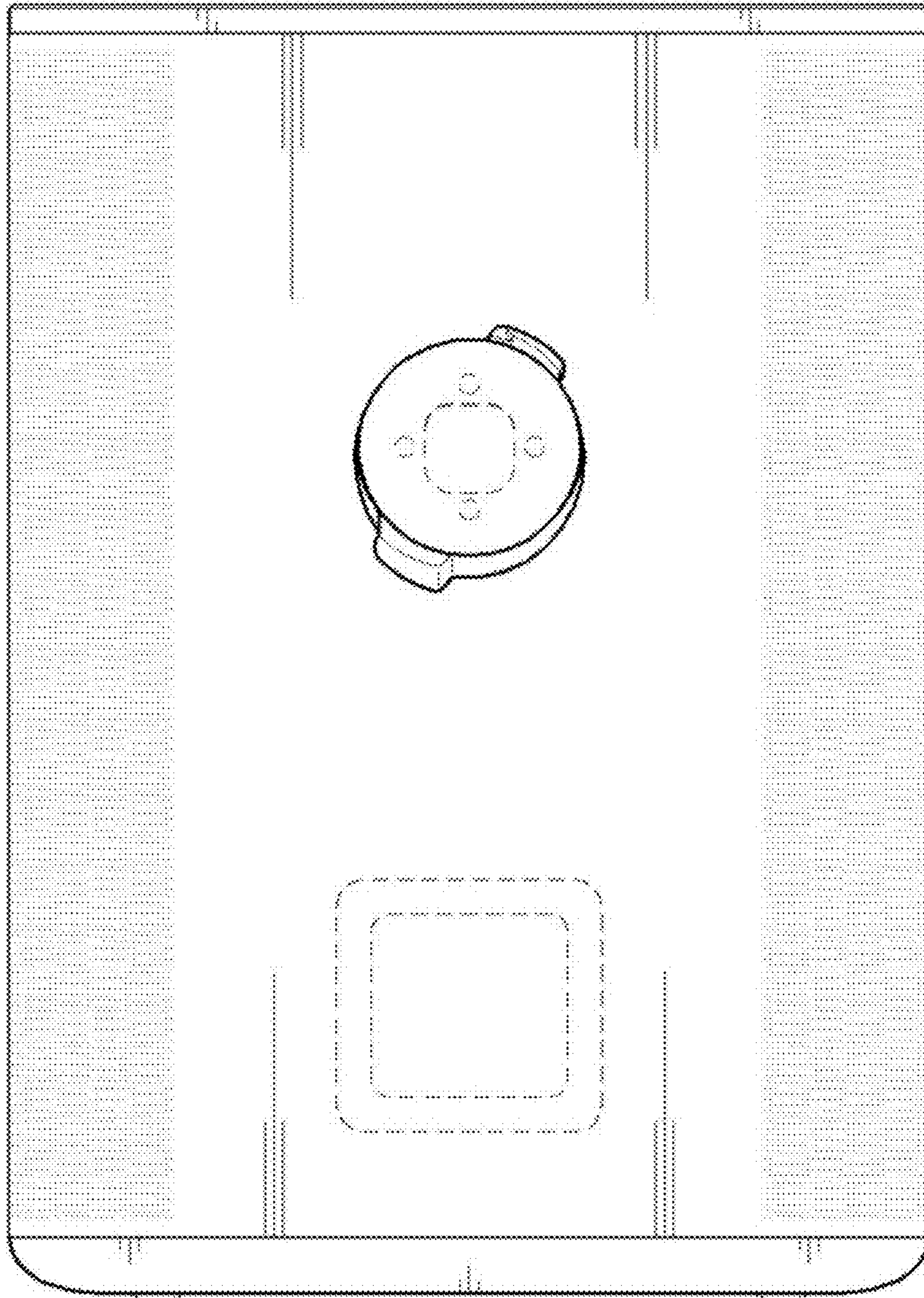
1.1



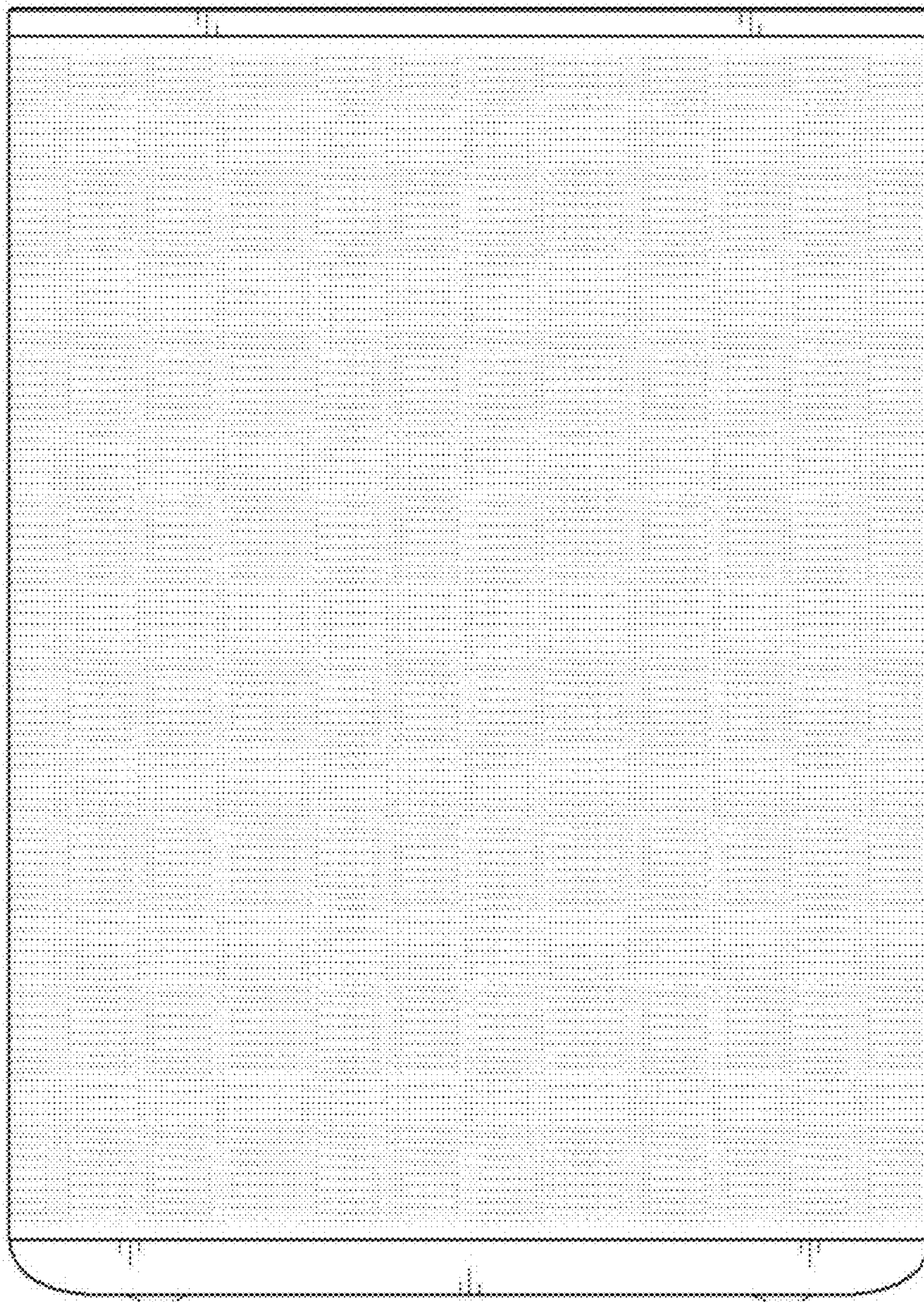
1.2



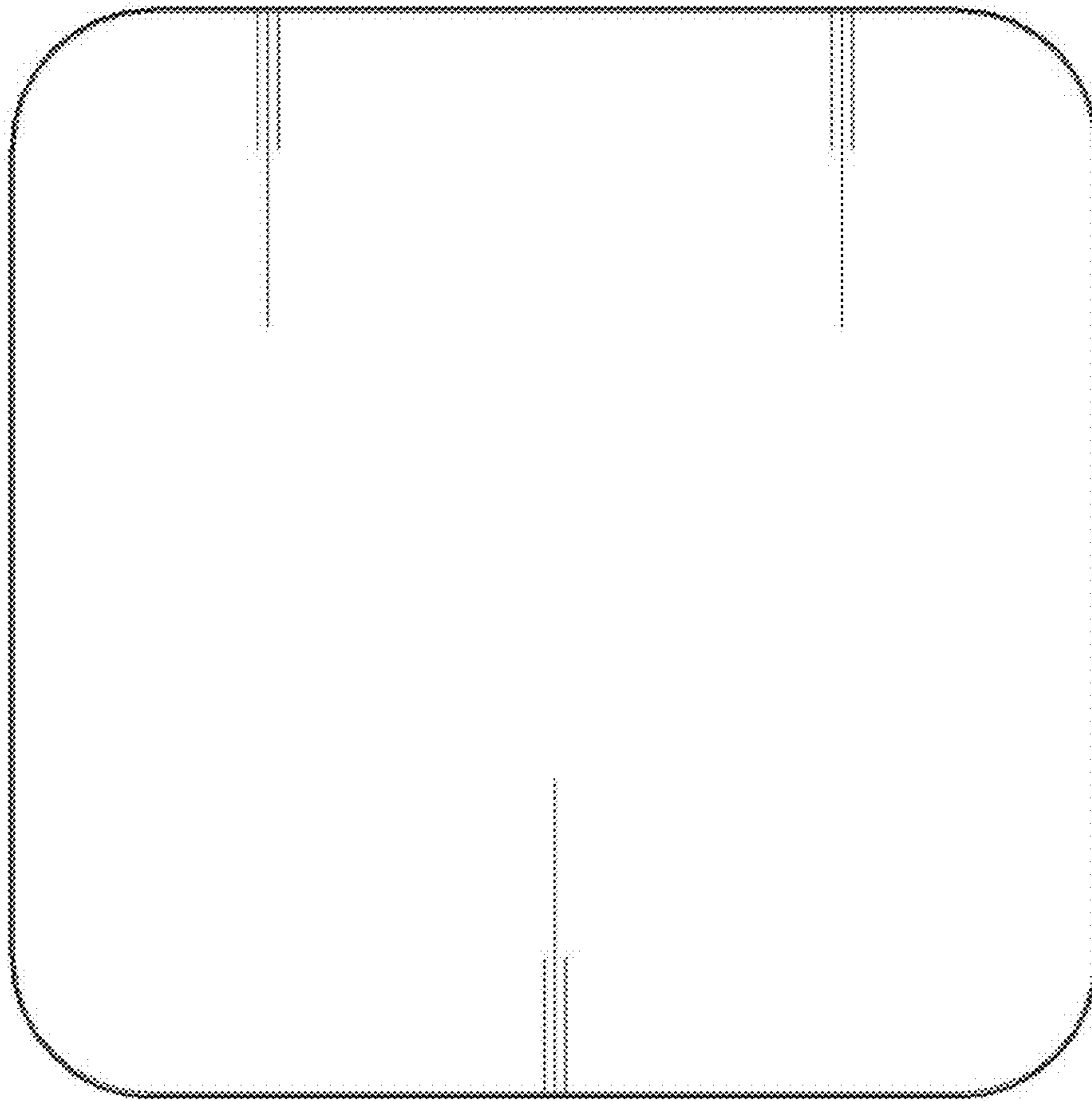
1.3



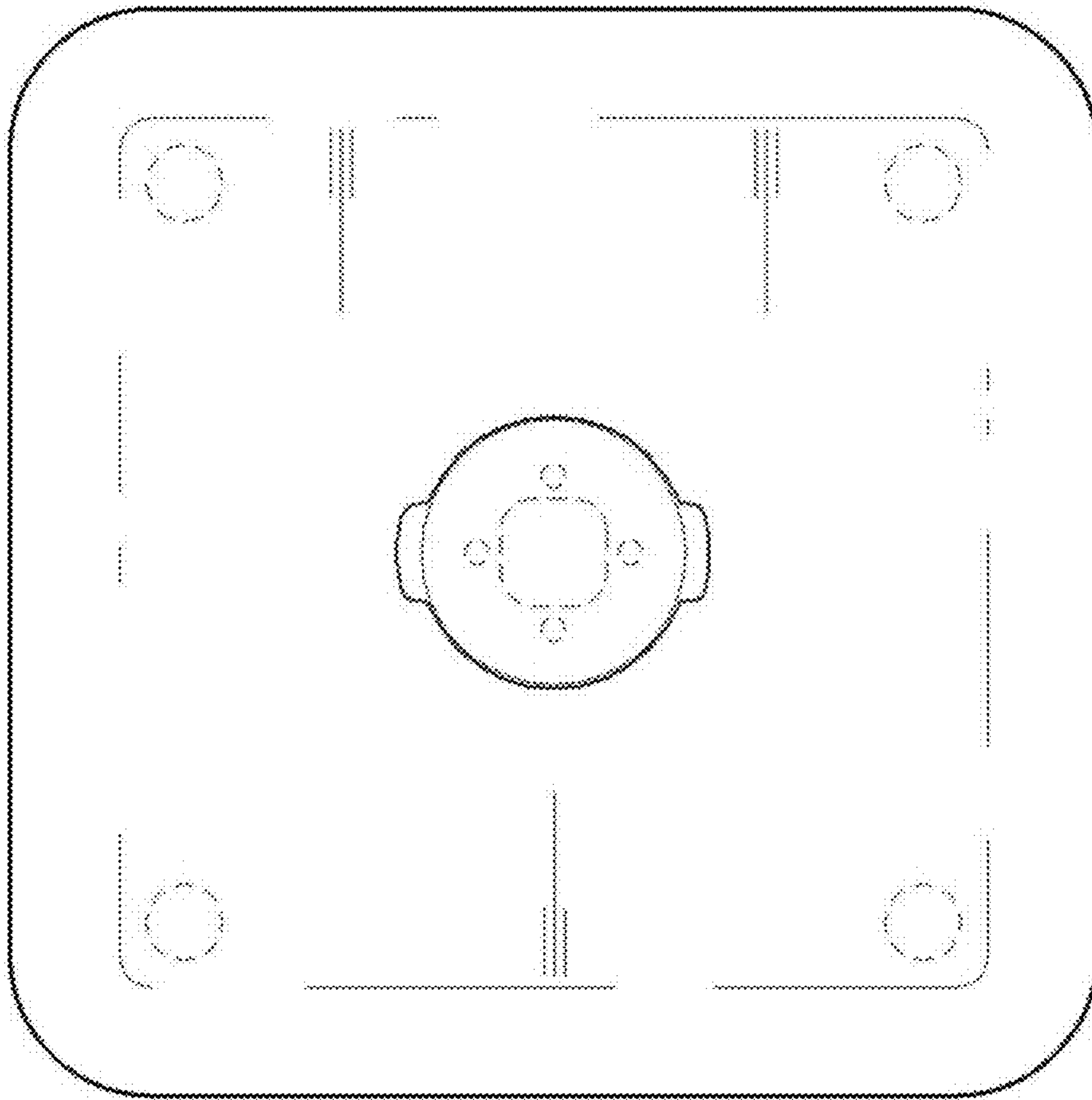
1.4



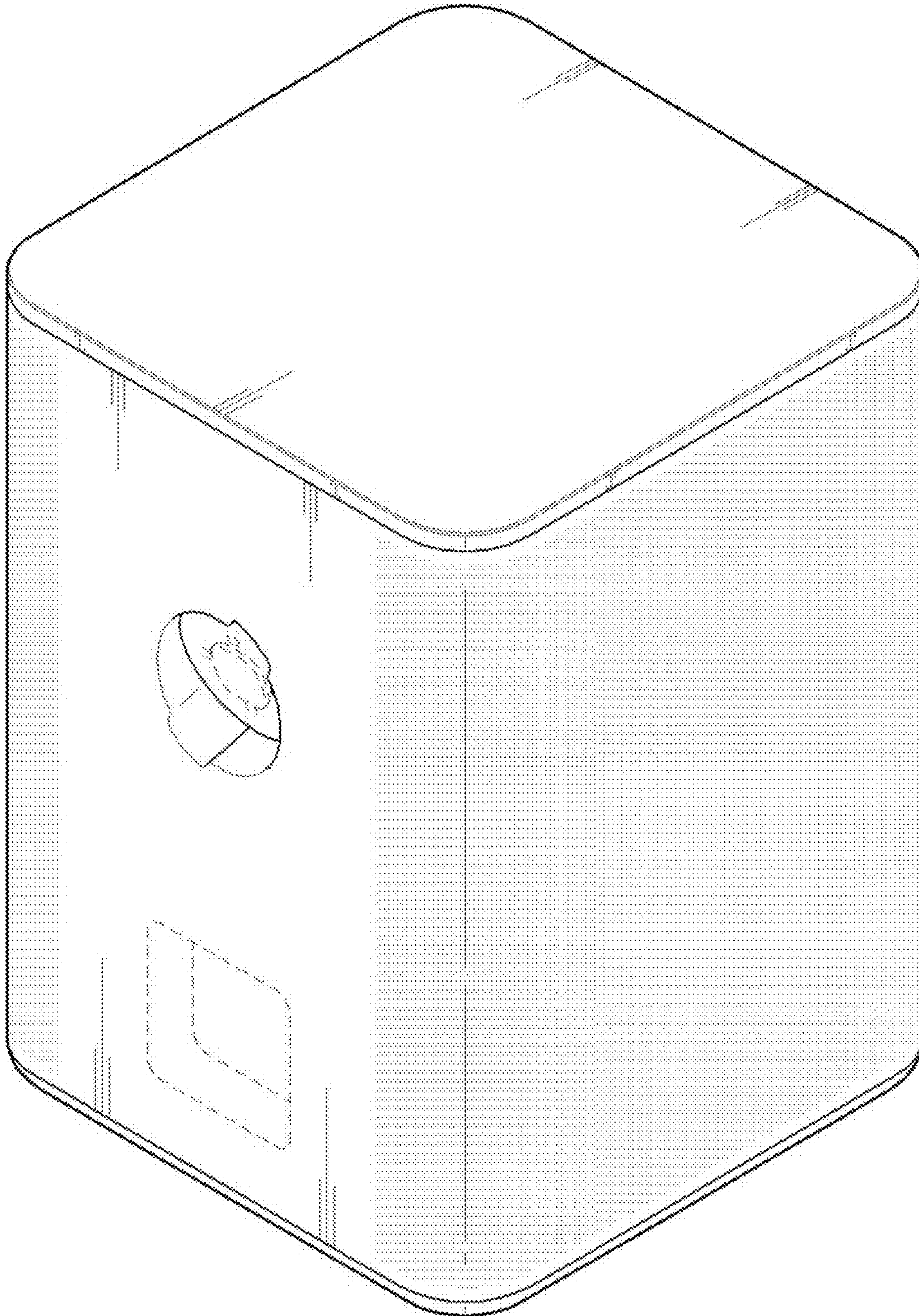
1.5



1.6



1.7



1.8

