

US00D864892S

(12) **United States Design Patent**  
**Yan**

(10) **Patent No.:** **US D864,892 S**  
(45) **Date of Patent:** **\*\* Oct. 29, 2019**

- (54) **TURNTABLE**
- (71) Applicant: **Doudou Yan**, Guangdong (CN)
- (72) Inventor: **Doudou Yan**, Guangdong (CN)
- (\*\*) Term: **15 Years**
- (21) Appl. No.: **29/649,211**
- (22) Filed: **May 29, 2018**
- (51) **LOC (12) Cl.** ..... **14-01**
- (52) **U.S. Cl.**  
USPC ..... **D14/202**
- (58) **Field of Classification Search**  
USPC ..... D14/199–203, 261; 369/264–265;  
312/8.1, 8.13  
CPC ..... B60R 11/02; B60K 37/04; B60K 37/06;  
H04B 1/08; H04B 1/082; G11B 17/16;  
G11B 23/00; G11B 19/16; G11B 33/02;  
G11B 3/07; G11B 25/04  
See application file for complete search history.

- 3,180,447 A \* 4/1965 Huff ..... G11B 33/02  
D14/201
- D454,858 S \* 3/2002 Chan ..... G11B 25/04  
D14/199
- D459,716 S \* 7/2002 Chan ..... D14/199

**OTHER PUBLICATIONS**

Victrola Nostalgic Record Player, published Feb. 13, 2017. [https://www.tractorsupply.com/tsc/product/victrola-wooden-6-in-1-nostalgic-record-player-with-bluetooth-and-3-speed-turnstile-graphite?cm\\_vc=-10005](https://www.tractorsupply.com/tsc/product/victrola-wooden-6-in-1-nostalgic-record-player-with-bluetooth-and-3-speed-turnstile-graphite?cm_vc=-10005).\*

\* cited by examiner

*Primary Examiner* — Sandra L Morris  
(74) *Attorney, Agent, or Firm* — Justin Lampel

(57) **CLAIM**

The ornamental design for a turntable, as shown and described.

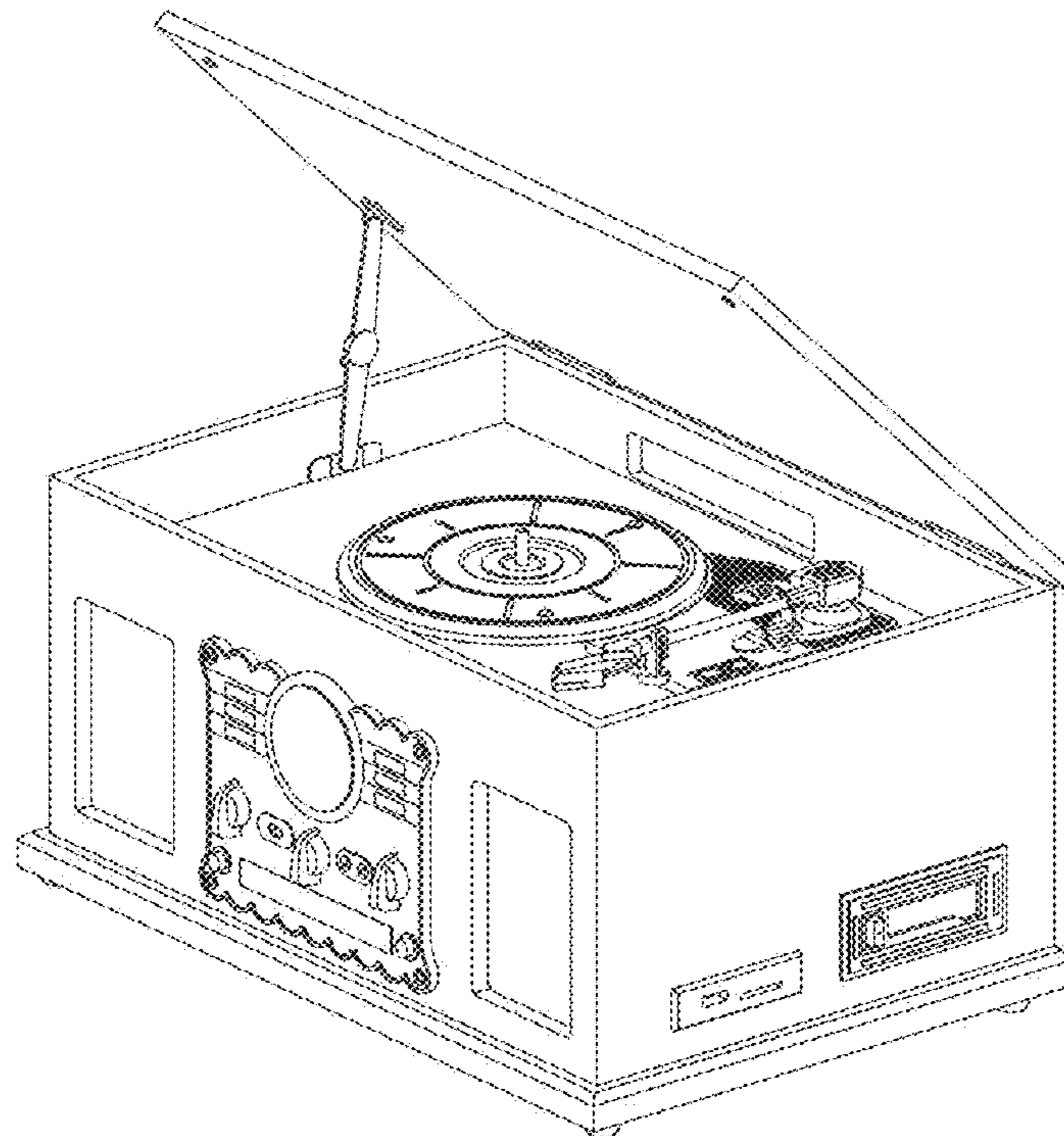
**DESCRIPTION**

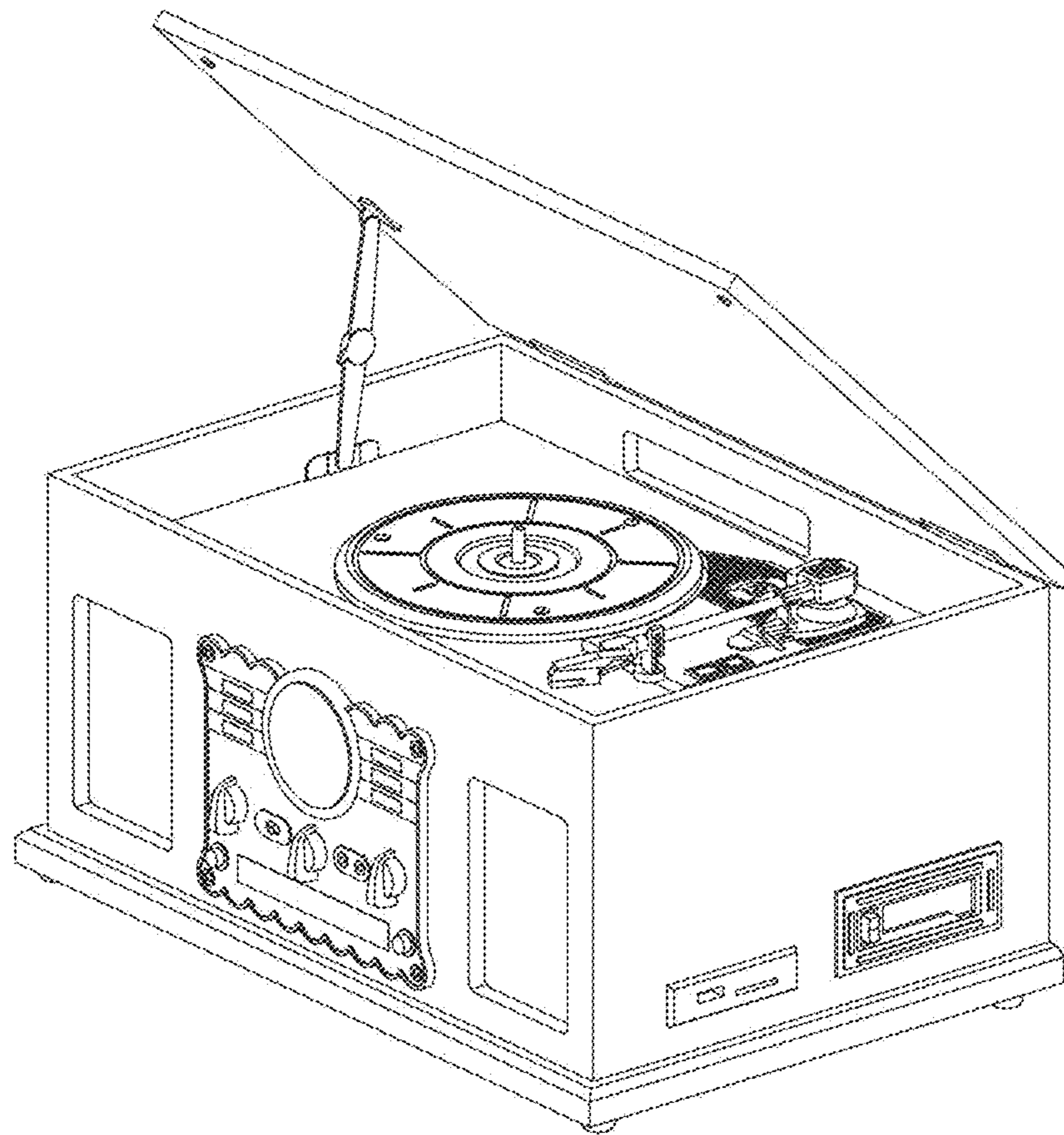
FIG. 1 is a perspective view of a turntable showing my new design;  
FIG. 2 is a front side view thereof;  
FIG. 3 is a rear side view thereof;  
FIG. 4 is a right side view thereof;  
FIG. 5 is a left side view thereof;  
FIG. 6 is a bottom plan view thereof; and,  
FIG. 7 is a top plan view thereof.  
The broken lines in the drawings depict portions of the turntable that form no part of the claimed design.

(56) **References Cited**  
U.S. PATENT DOCUMENTS

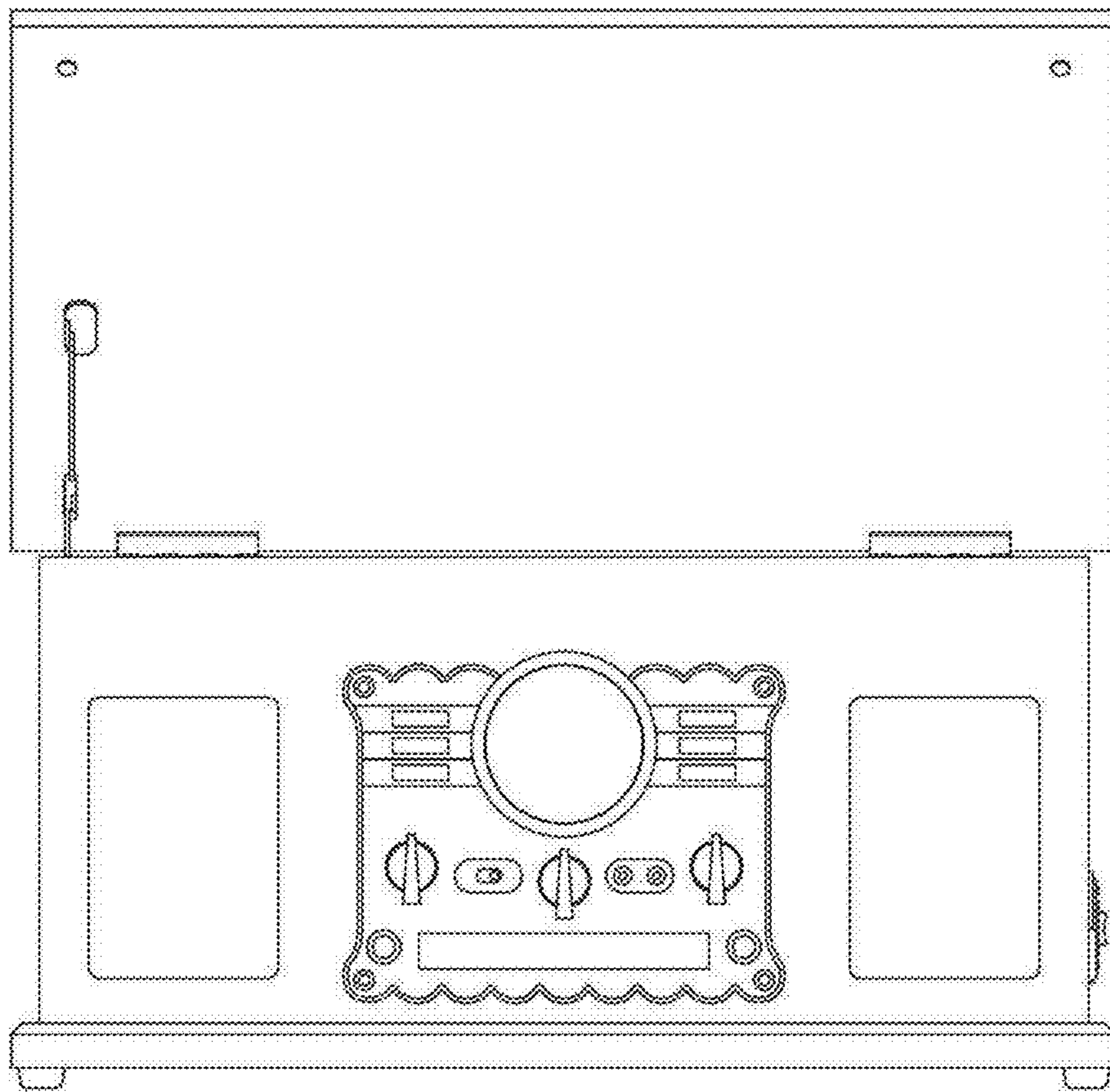
- D57,410 S \* 3/1921 Dodson ..... D14/202
- 1,546,931 A \* 7/1925 Hinckley ..... G11B 25/04  
312/7.1
- 1,811,628 A \* 6/1931 Hollerith, Jr. .... G11B 33/02  
312/8.15
- 2,556,421 A \* 6/1951 Gee, Jr. .... G11B 33/027  
369/137

**1 Claim, 7 Drawing Sheets**

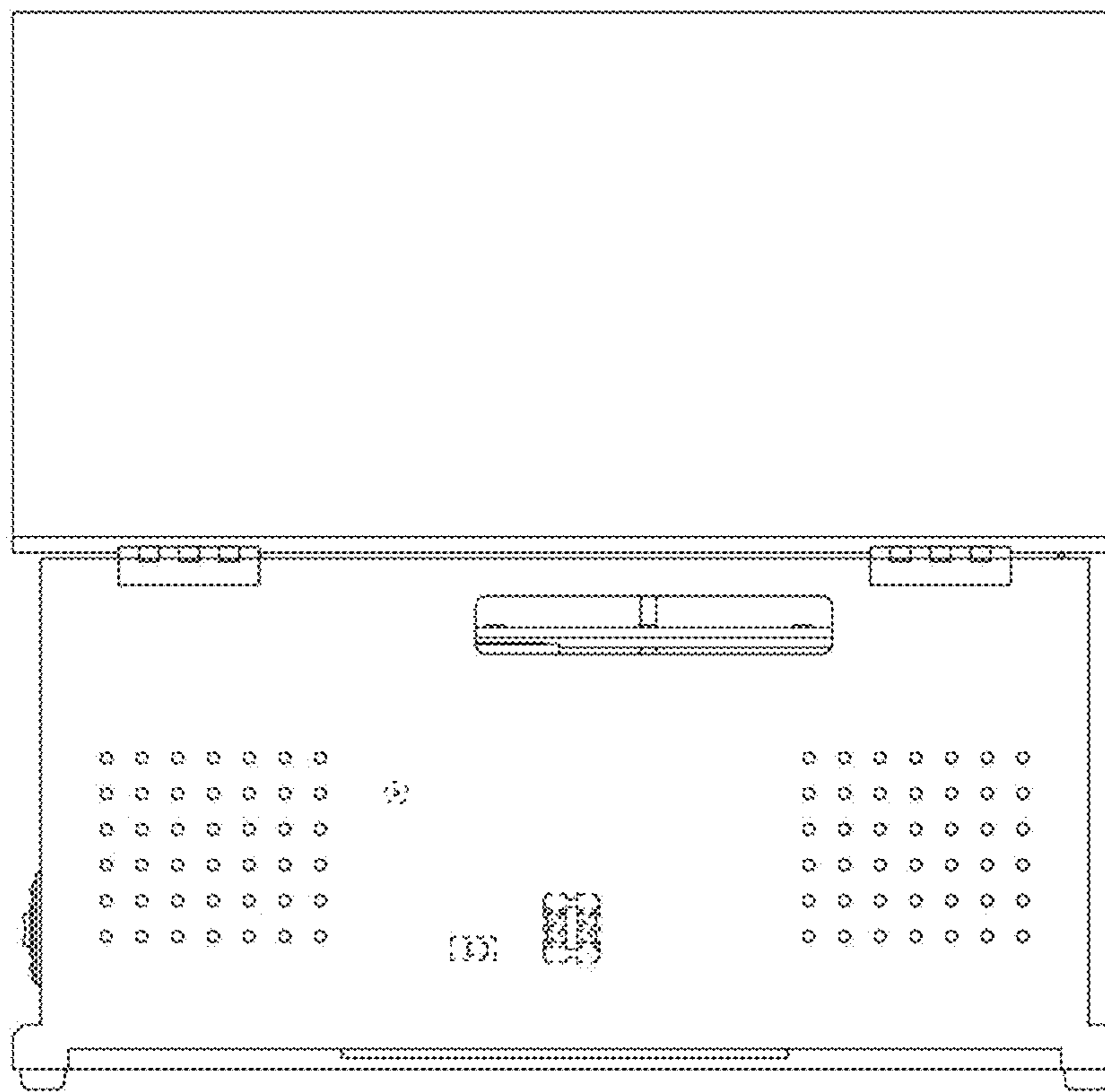




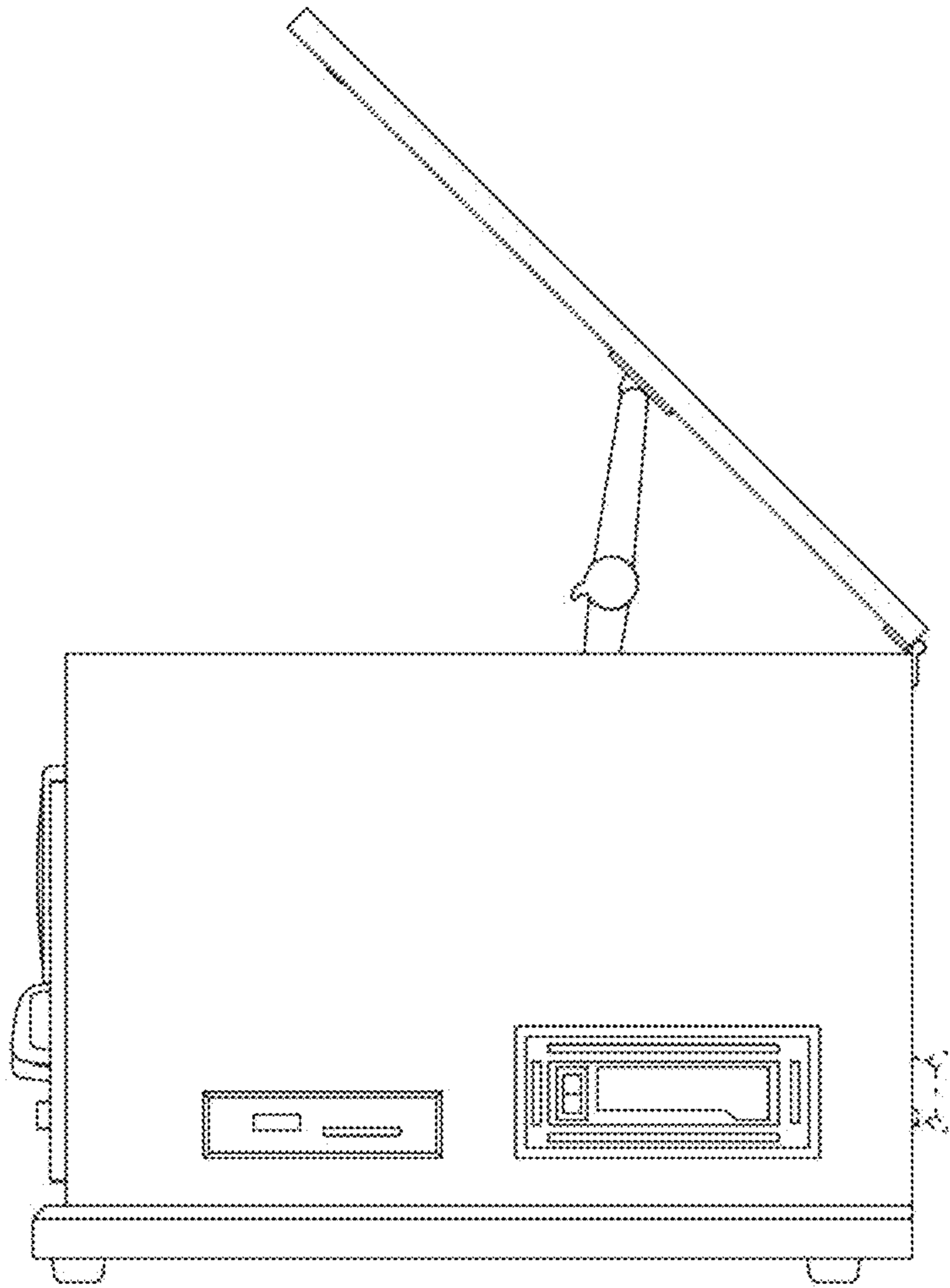
**FIG. 1**



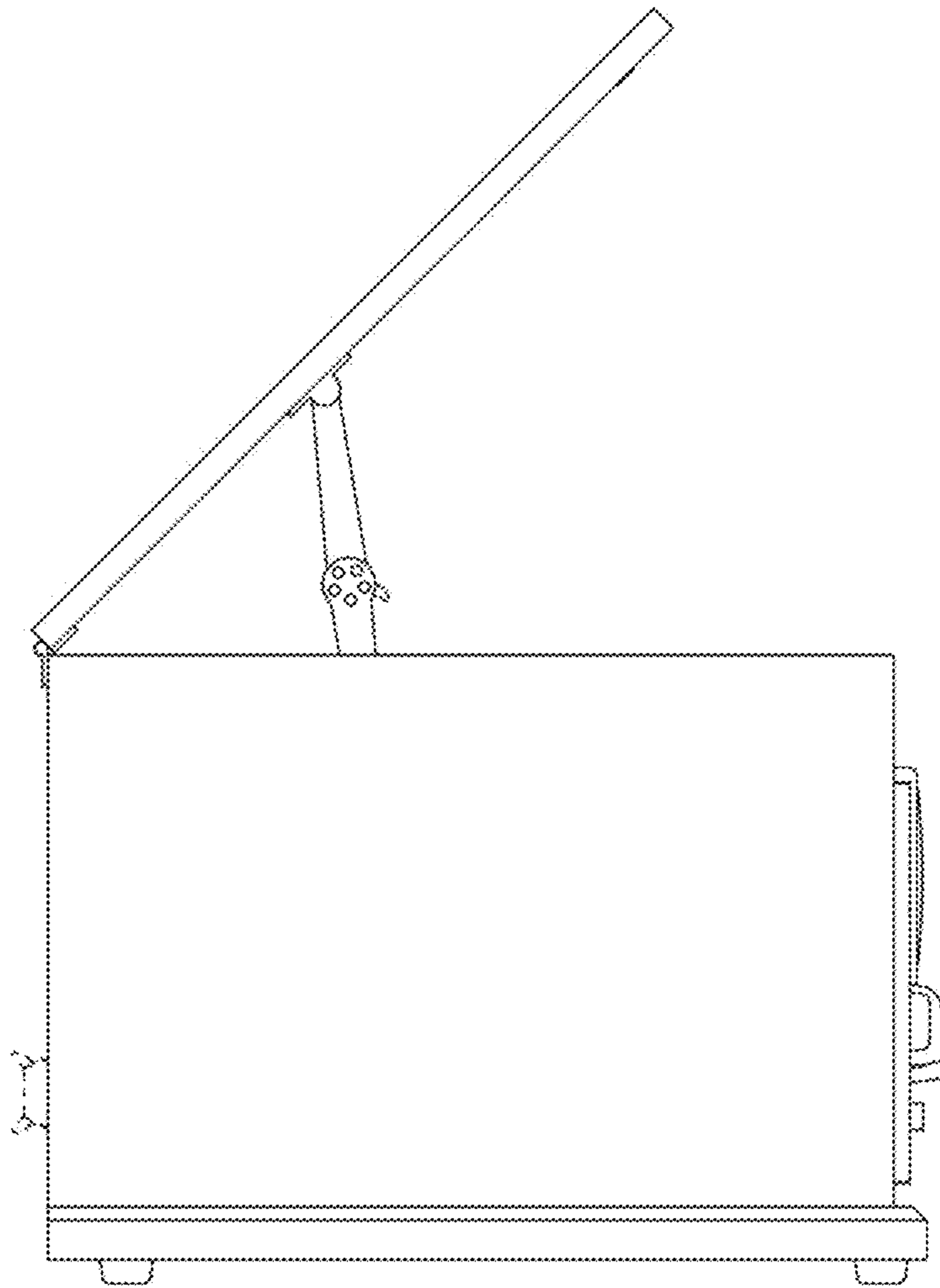
**FIG. 2**



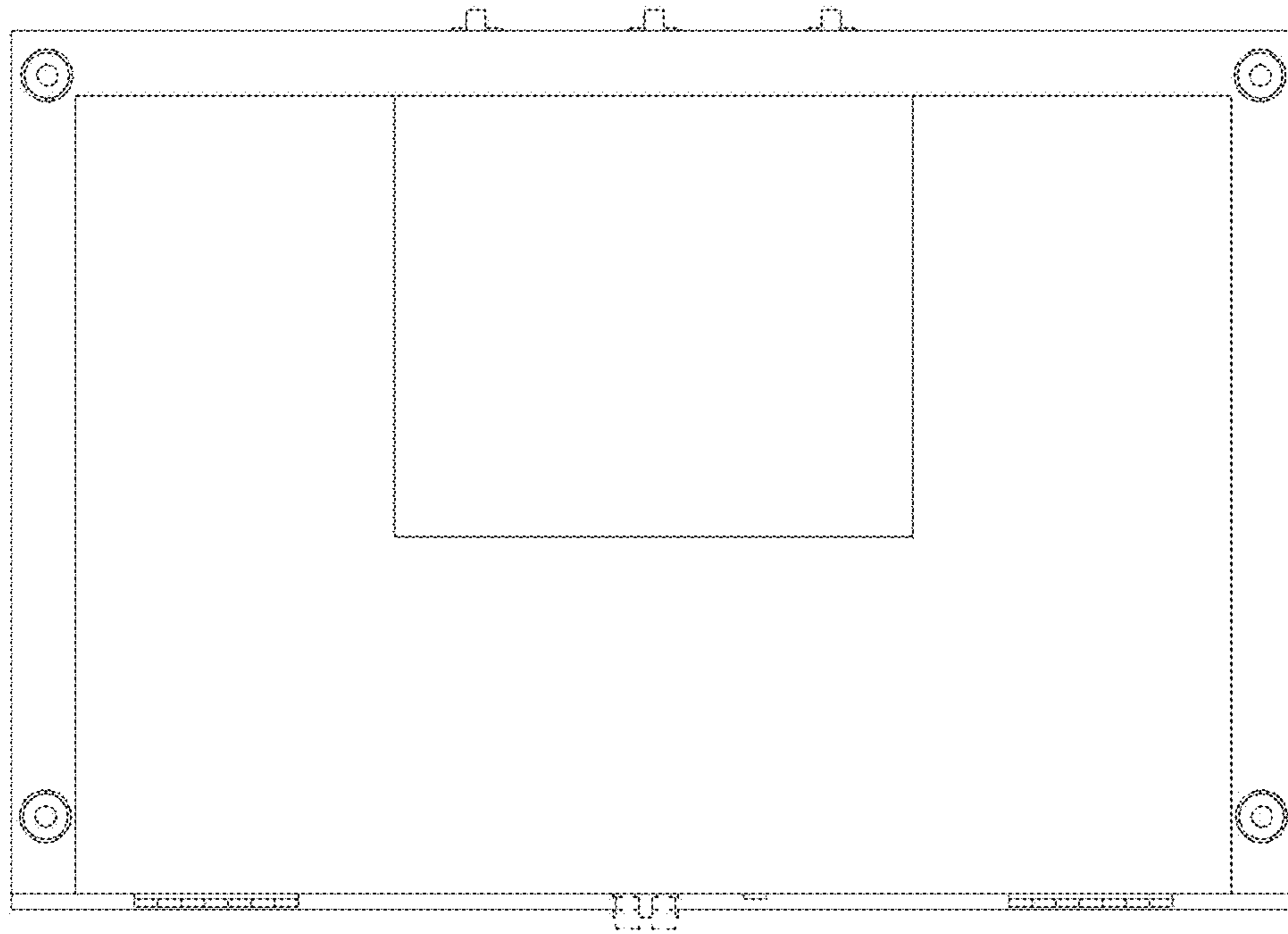
**FIG. 3**



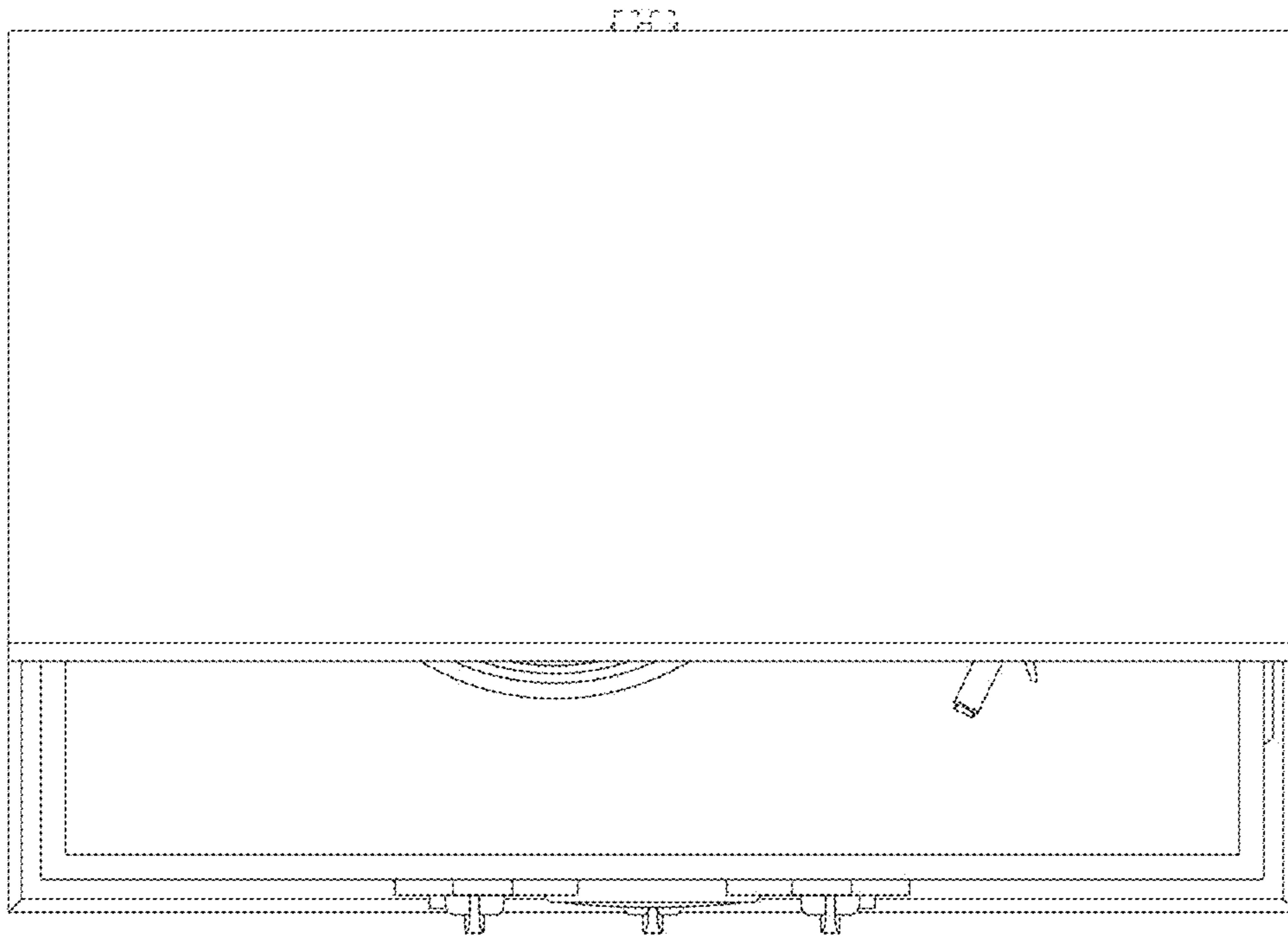
**FIG. 4**



**FIG. 5**



**FIG. 6**



**FIG. 7**